

**SUZUKI**  
PARTS CATALOGUE

**DF150/175**

**DF150T/Z**  
**DF175T/Z**



**OUTBOARD MOTOR**

E01/E40

2012-12

2<sup>ND</sup> EDITION

This part catalogue supersedes all the following part catalogue with immediate effect

Model of catalogue	Parts catalogue No.
DF150/175 E01 013	9900B-45259

## PREFACE

When it becomes necessary to replace parts on SUZUKI OUTBOARD MOTORS, always use SUZUKI GENUINE PARTS which have passed a strict inspection which guarantees quality and performance.

This parts catalogue covers the list of all service parts for SUZUKI DF150/175 production start 2012.

### INSTRUCTIONS FOR QUOTING THE CATALOGUE

#### 1. DIMENSIONS

Dimensions of the parts in this catalogue are indicated in unit millimeters.

#### 2. ABBREVIATIONS

Abbreviations used in this catalogue are as follows:

AR	: As required	NT	: Number of teeth
ASSY	: Assembly	OPT	: Optional
E. NO.	: Engine number	OS	: Over size
F. NO.	: Frame number	STD	: Standard
D	: Diameter of material	T	: Thickness
ID	: Inside diameter	US	: Under size
OD	: Outside diameter	W	: Width
L	: Length	W/	: With
LH(PORT)	: Left hand side	L,X	: Transom type
RH(STBD)	: Right hand side	SUS	: Stainless steel
~123456	: Up to E. NO. 15002F-123456	PTT	: Power trim and tilt
123456~	: From E. NO. 15002F-123456		

12 x 34 x 5.6..... Figures in the description column  
| | | show the dimensions of parts.  
ID OD T(or W,L)

→12345-56781 (Parts No.) : indicates that the parts number was changed to 12345-56781 and the new parts are interchangeable with the former ones but the former ones are not interchangeable with new ones.

←12345-56781 (Parts No.) : indicates that the former and new parts are interchangeable with each other and both are usable.

#### 3. INNER PARTS OF ASSEMBLY

Part name with a dot (.) in front as shown in the description column indicates the component of the assembly also available individually.

#### 4. MODIFICATION NOTICE

A parts bulletin will be sent to you on all occasions when changes in parts occur, including interchangeable modifications between new parts and old ones.

#### 5. NOTE

5-1. There are some different parts from those of production models among spare parts for the administrative reasons and common use of them with other models.

5-2. In respect of rubber hoses and vinyl tubes, please be sure to use them by cutting off according to the length mentioned on parts catalogue or what is actually required on the vehicle.

5-3. Note that the drawings on the illustration page are for ready reference of spare parts number, not to be used as an assembly manual. When assembling, use "SUZUKI SERVICE MANUAL".

#### 6. MODEL NAME AND ENGINE NUMBER

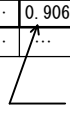
MODEL	DESTINATION	TYPE	TRANSOM	ENGINE No.
DF150T	E01, E40	15002F	L, X	15002F-310001~
DF150Z	E01, E40	15002Z	L, X	15002Z-310001~
DF175T	E01, E40	17502F	L, X	17502F-310001~
DF175Z	E01, E40	17502Z	L, X	17502Z-310001~

MILLIMETER → INCH CONVERSION CHART

	0	1	2	3	4	5	6	7	8	9
00	.000	.039	.079	.118	.157	.197	.236	.276	.315	.354
10	.394	.433	.472	.512	.551	.591	.630	.669	.709	.748
20	.787	.827	.866	.906	.945	.984	1.024	1.063	1.102	1.142
30	1.181	1.220	1.260	1.299	1.339	1.378	1.417	1.457	1.496	1.535
40	1.575	1.614	1.654	1.693	1.732	1.772	1.811	1.850	1.890	1.929
50	1.969	2.008	2.047	2.087	2.126	2.165	2.205	2.214	2.283	2.323
60	2.362	2.402	2.441	2.480	2.520	2.559	2.598	2.638	2.677	2.717
70	2.756	2.795	2.835	2.874	2.913	2.953	2.992	3.031	3.071	3.110
80	3.150	3.189	3.228	3.268	3.307	3.346	3.386	3.425	3.465	3.504
90	3.543	3.583	3.622	3.661	3.701	3.740	3.780	3.819	3.858	3.898

How to read

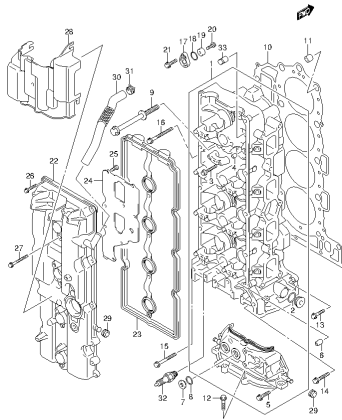
	0	1	2	3	4
00	...	...	...	...	...
10	...	...	...	...	...
20	...	...	...	0.906	...
30	...	...	...	...	...


 23 millimeters equal 0.906 inch

Contents are subject to change without notice or obligation.

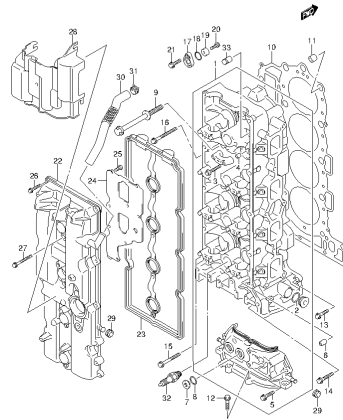


FIG.1



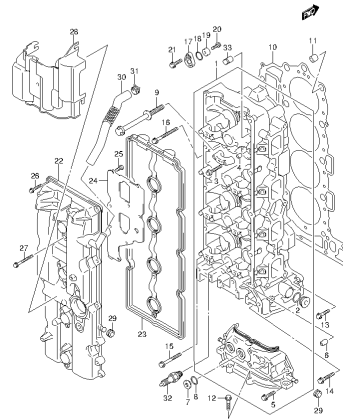
DF150\_175\_E91\_013\_001  
CYLINDER HEAD

FIG.2



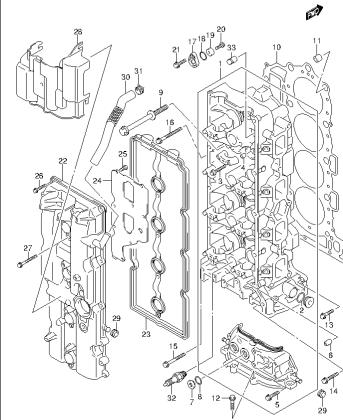
DF150\_175\_E91\_013\_002  
CYLINDER HEAD

FIG.3



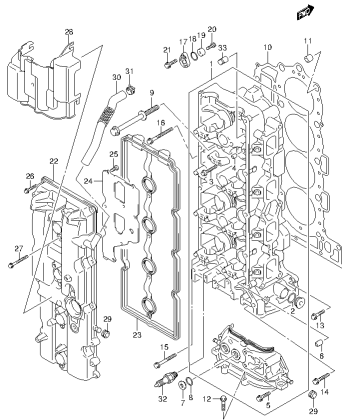
DF150\_175\_E91\_013\_003  
CYLINDER HEAD

FIG.4



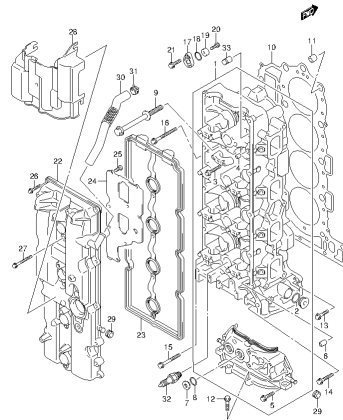
DF150\_175\_E91\_013\_004  
CYLINDER HEAD

FIG.5



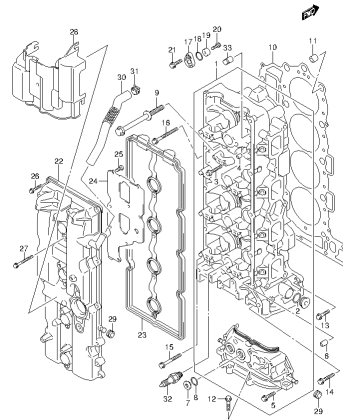
DF150\_175\_E91\_013\_005  
CYLINDER HEAD

FIG.6



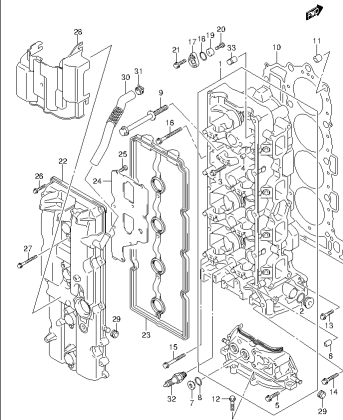
DF150\_175\_E91\_013\_006  
CYLINDER HEAD

FIG.7



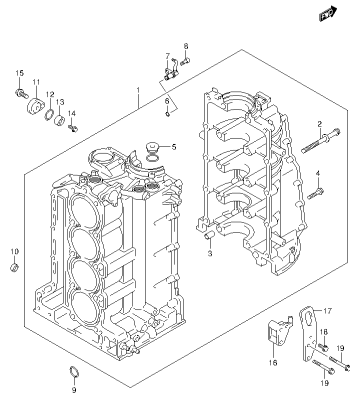
DF150\_175\_E91\_013\_007  
CYLINDER HEAD

FIG.8



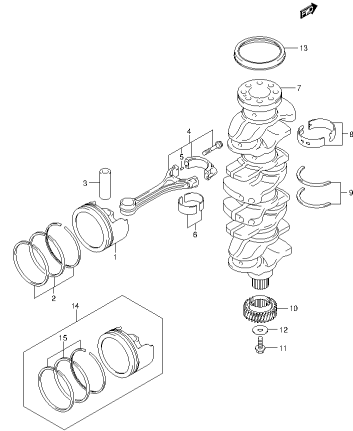
DF150\_175\_E91\_013\_008  
CYLINDER HEAD

FIG.9



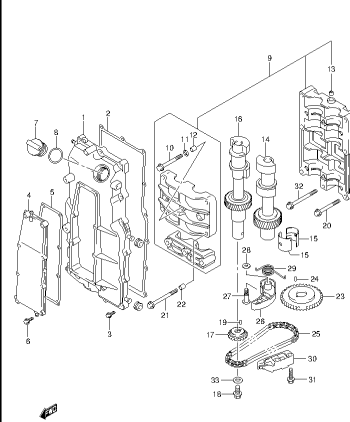
DF150\_175\_E01\_013\_009  
CYLINDER BLOCK

FIG.10



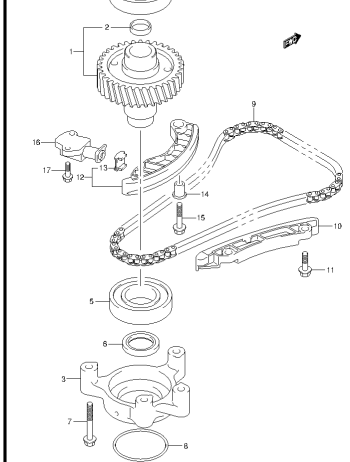
DF150\_175\_E01\_013\_010  
CRANKSHAFT

FIG.11



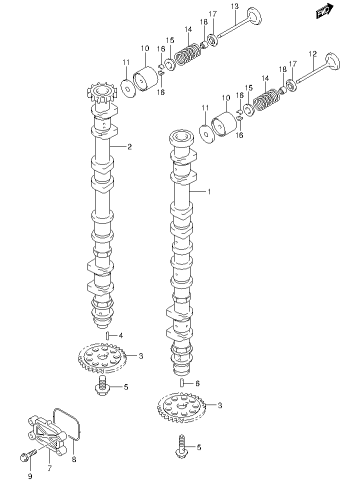
DF150\_175\_E01\_013\_011  
BALANCER

FIG.12



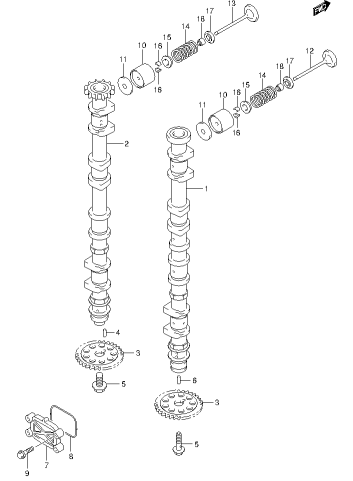
DF150\_175\_E01\_013\_012  
TIMING CHAIN

FIG.13



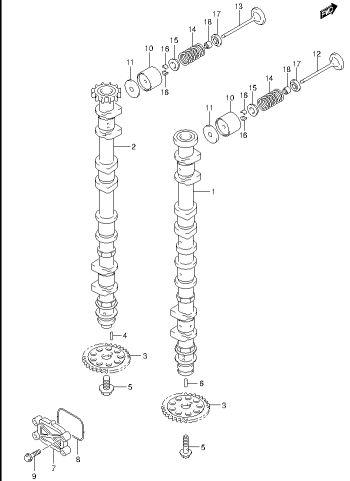
DF150\_175\_E01\_013\_013  
CAMSHAFT

FIG.14



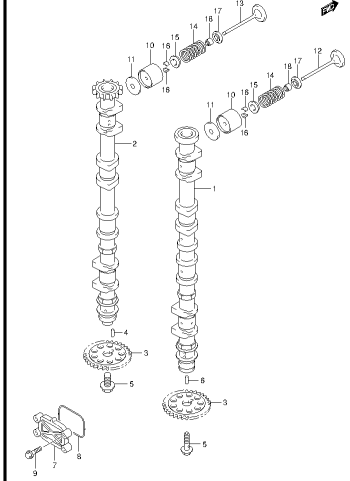
DF150\_175\_E01\_013\_014  
CAMSHAFT

FIG.15



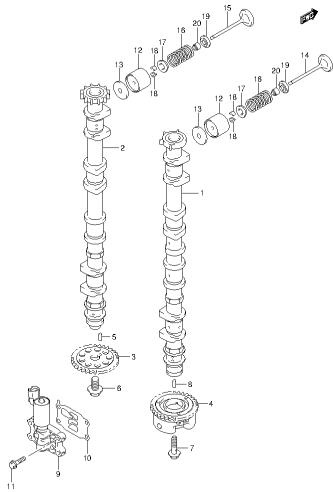
DF150\_175\_E01\_013\_015  
CAMSHAFT

FIG.16



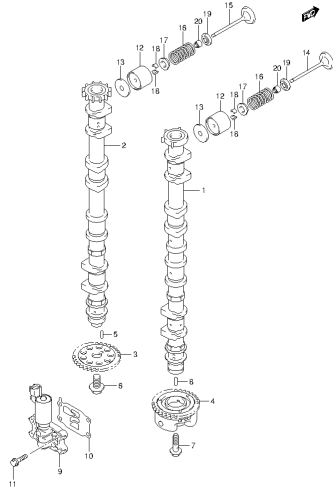
DF150\_175\_E01\_013\_016  
CAMSHAFT

FIG.17



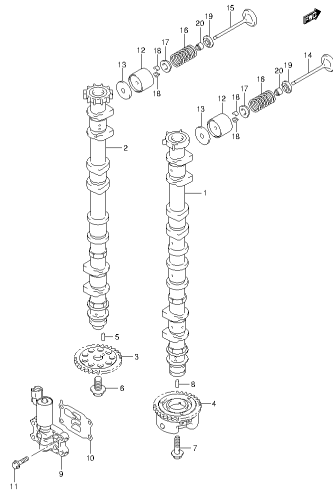
DF150\_175\_E01\_013\_017  
CAMSHAFT

FIG.18



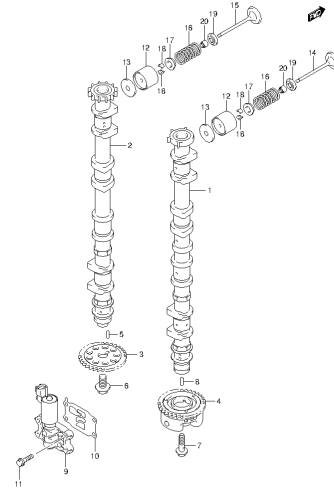
DF150\_175\_E01\_013\_018  
CAMSHAFT

FIG.19



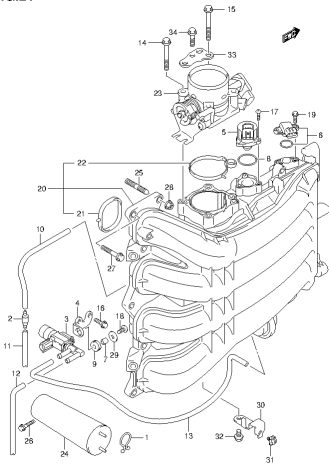
DF150\_175\_E01\_013\_019  
CAMSHAFT

FIG.20



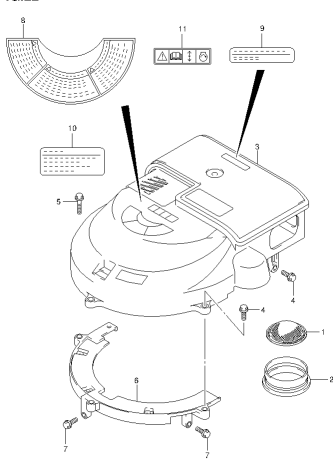
DF150\_175\_E01\_013\_020  
CAMSHAFT

FIG.21



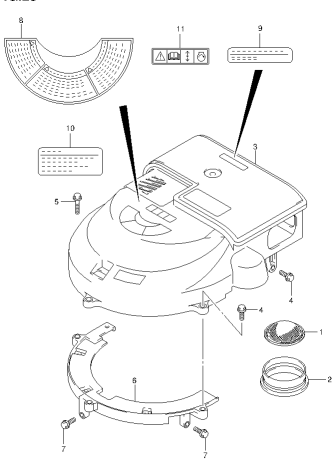
DF150\_175\_E01\_013\_021  
INTAKE MANIFOLD / THROTTLE BODY

FIG.22



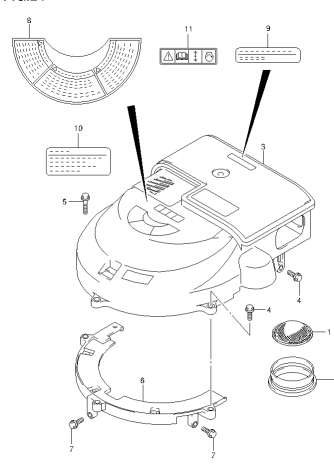
DF150\_175\_E01\_013\_022  
SILENCER / RING GEAR COVER

FIG.23

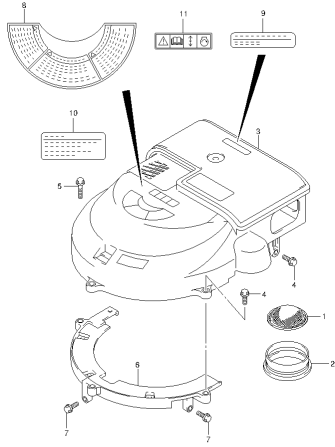


DF150\_175\_E01\_013\_023  
SILENCER / RING GEAR COVER

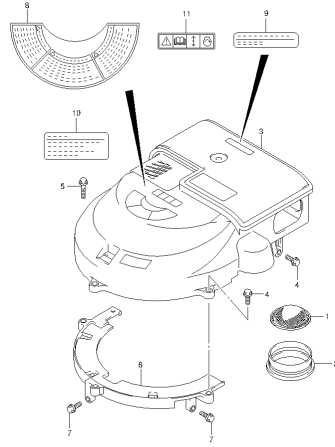
FIG.24



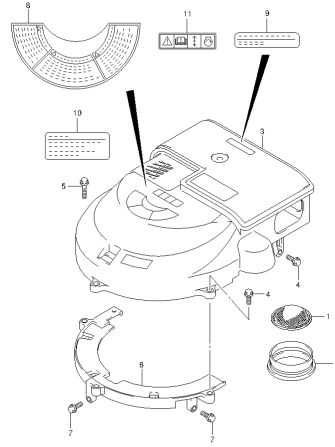
DF150\_175\_E01\_013\_024  
SILENCER / RING GEAR COVER

**FIG.25**

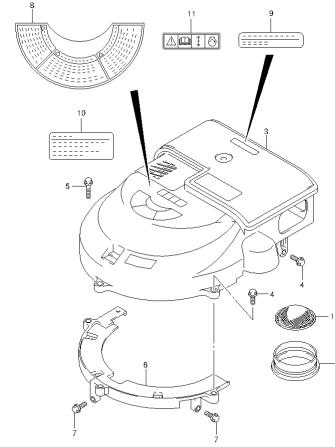
DF150\_175\_E91\_013\_025  
SILENCER / RING GEAR COVER

**FIG.26**

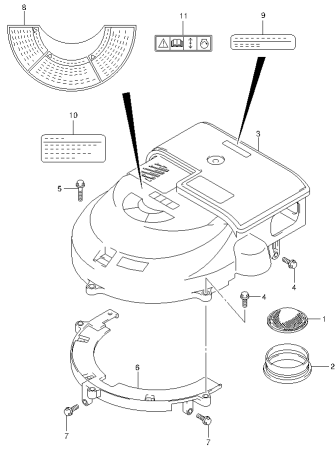
DF150\_175\_E91\_013\_026  
SILENCER / RING GEAR COVER

**FIG.27**

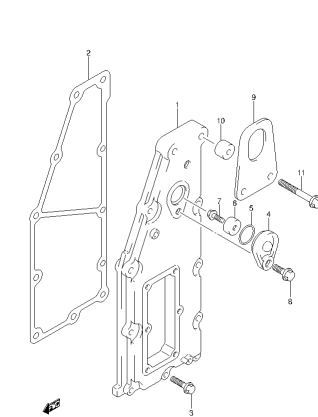
DF150\_175\_E91\_013\_027  
SILENCER / RING GEAR COVER

**FIG.28**

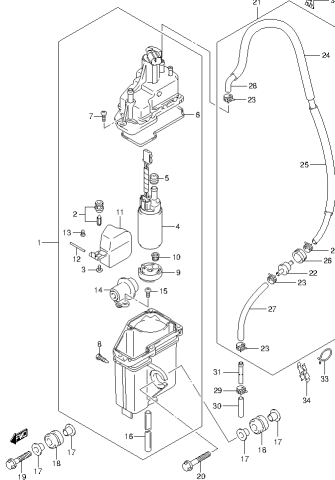
DF150\_175\_E91\_013\_028  
SILENCER / RING GEAR COVER

**FIG.29**

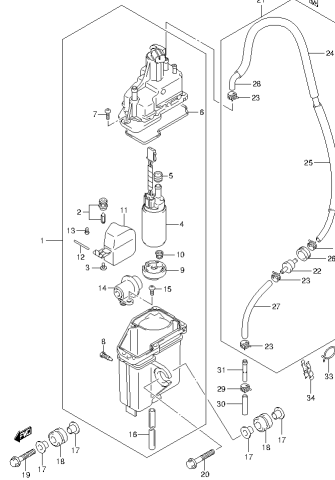
DF150\_175\_E91\_013\_029  
SILENCER / RING GEAR COVER

**FIG.30**

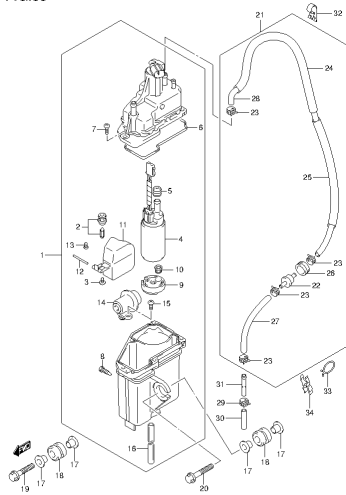
DF150\_175\_E91\_013\_030  
EXHAUST COVER

**FIG.31**

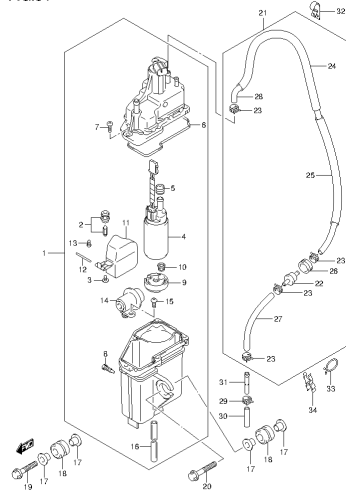
DF150\_175\_E91\_013\_031  
FUEL VAPOR SEPARATOR

**FIG.32**

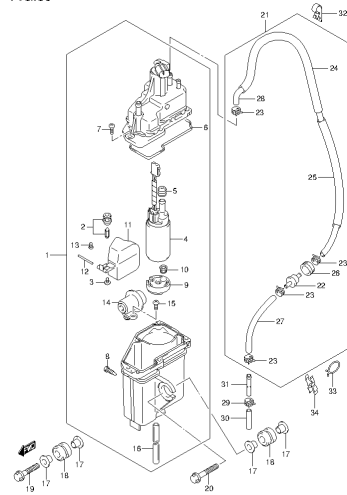
DF150\_175\_E91\_013\_032  
FUEL VAPOR SEPARATOR

**FIG.33**

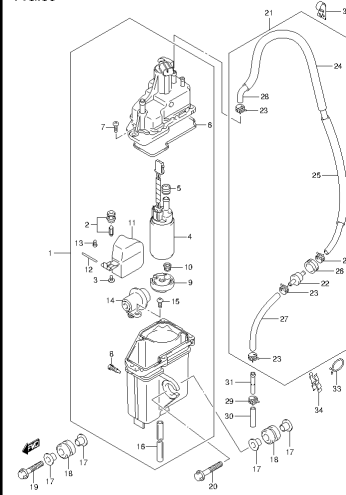
DF150\_175\_E01\_013\_003  
FUEL VAPOR SEPARATOR

**FIG.34**

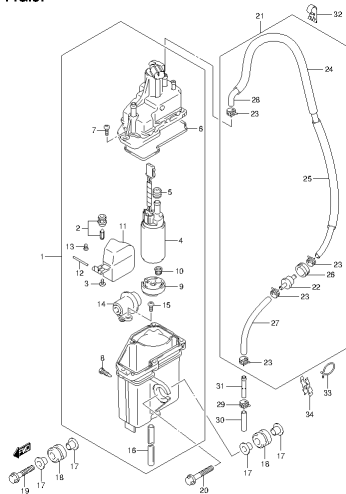
DF150\_175\_E01\_013\_004  
FUEL VAPOR SEPARATOR

**FIG.35**

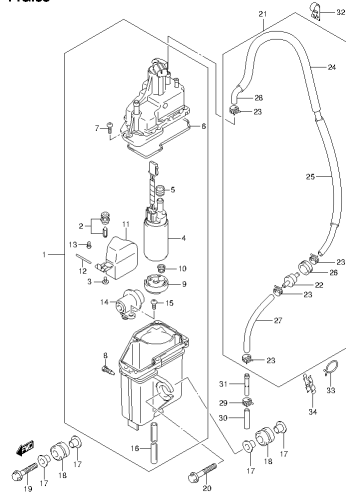
DF150\_175\_E01\_013\_005  
FUEL VAPOR SEPARATOR

**FIG.36**

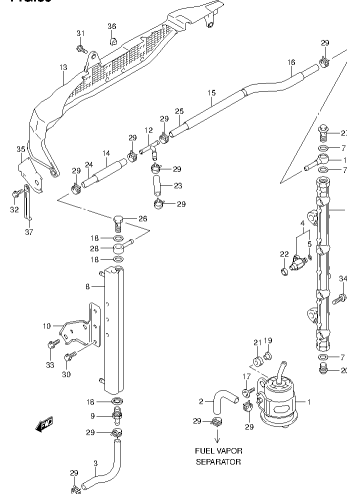
DF150\_175\_E01\_013\_006  
FUEL VAPOR SEPARATOR

**FIG.37**

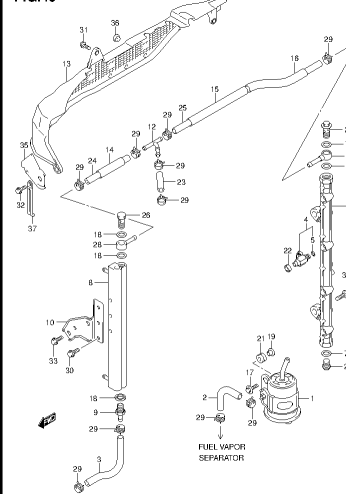
DF150\_175\_E01\_013\_007  
FUEL VAPOR SEPARATOR

**FIG.38**

DF150\_175\_E01\_013\_008  
FUEL VAPOR SEPARATOR

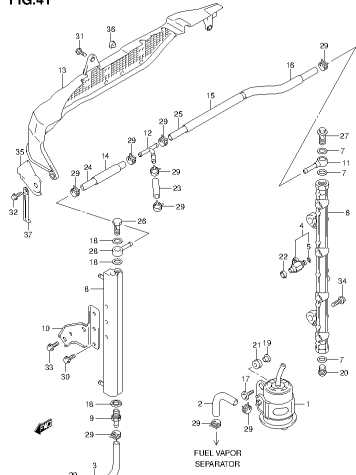
**FIG.39**

DF150\_175\_E01\_013\_009  
FUEL INJECTOR

**FIG.40**

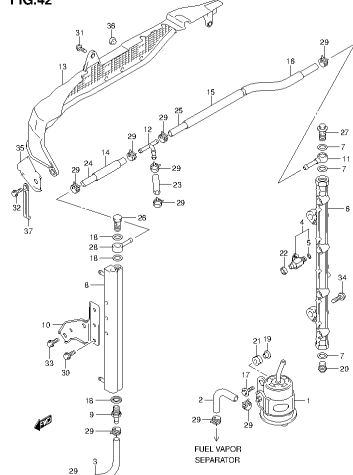
DF150\_175\_E01\_013\_040  
FUEL INJECTOR

FIG.41



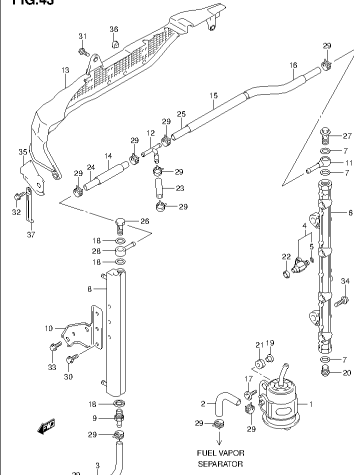
DF150\_175\_E01\_013\_041  
FUEL INJECTOR

FIG.42



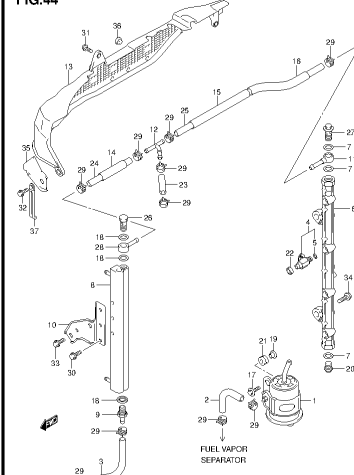
DF150\_175\_E01\_013\_042  
FUEL INJECTOR

FIG.43



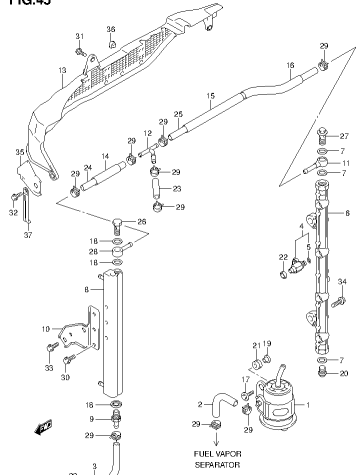
DF150\_175\_E01\_013\_043  
FUEL INJECTOR

FIG.44



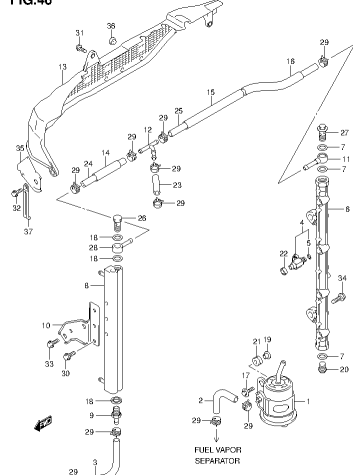
DF150\_175\_E01\_013\_044  
FUEL INJECTOR

FIG.45



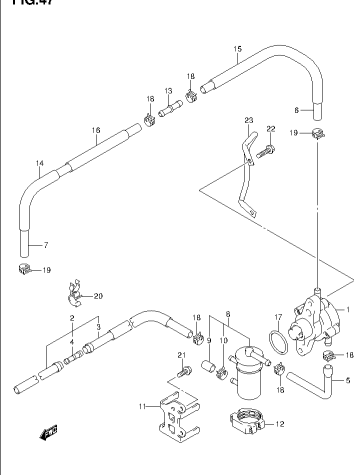
DF150\_175\_E01\_013\_045  
FUEL INJECTOR

FIG.46



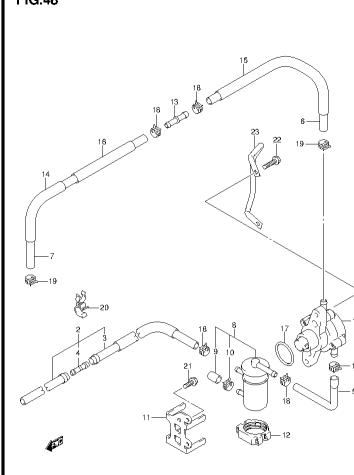
DF150\_175\_E01\_013\_046  
FUEL INJECTOR

FIG.47

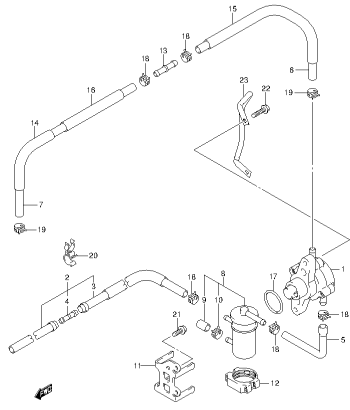


DF150\_175\_E01\_013\_047  
FUEL PUMP

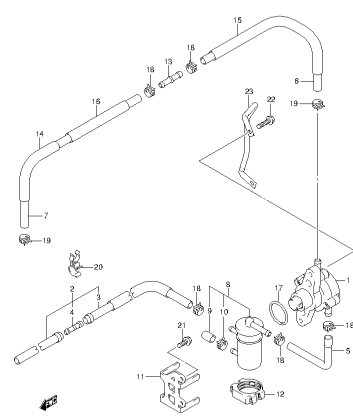
FIG.48



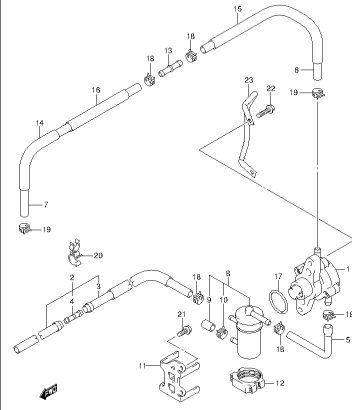
DF150\_175\_E01\_013\_048  
FUEL PUMP

**FIG.49**

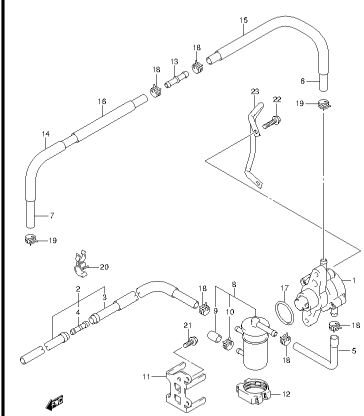
DF150\_175\_E01\_013\_049  
FUEL PUMP

**FIG.50**

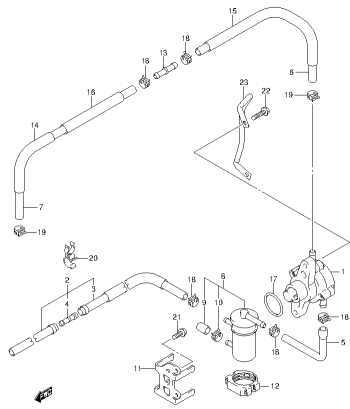
DF150\_175\_E01\_013\_050  
FUEL PUMP

**FIG.51**

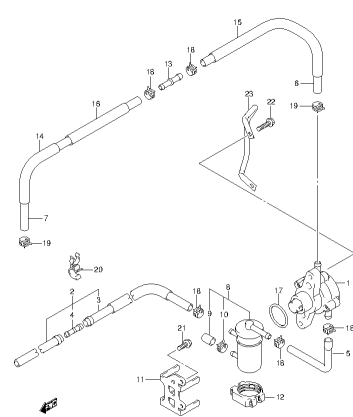
DF150\_175\_E01\_013\_051  
FUEL PUMP

**FIG.52**

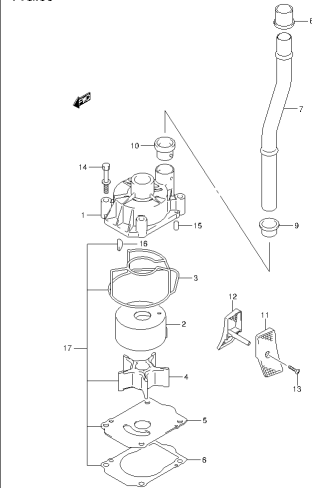
DF150\_175\_E01\_013\_052  
FUEL PUMP

**FIG.53**

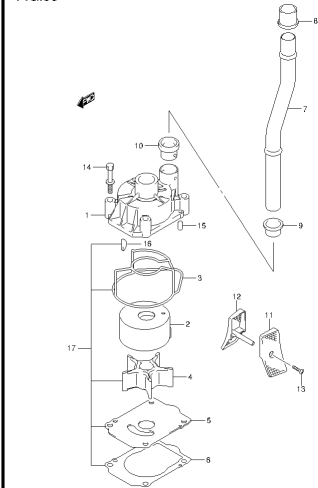
DF150\_175\_E01\_013\_053  
FUEL PUMP

**FIG.54**

DF150\_175\_E01\_013\_054  
FUEL PUMP

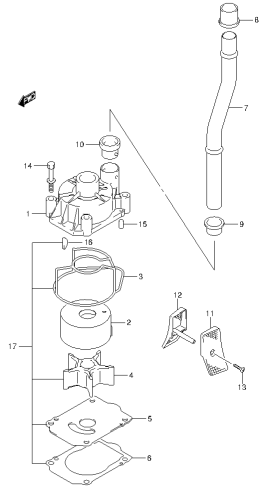
**FIG.55**

DF150\_175\_E01\_013\_055  
WATER PUMP

**FIG.56**

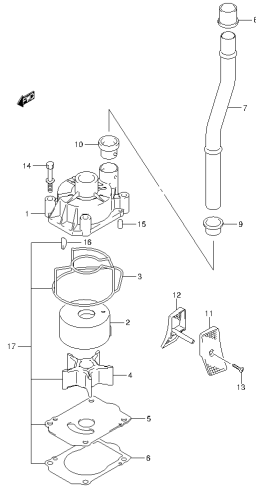
DF150\_175\_E01\_013\_056  
WATER PUMP

FIG.57



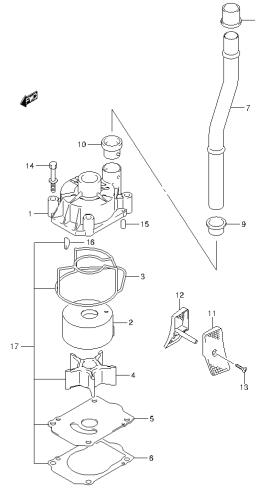
DF150\_175\_E01\_013\_057  
WATER PUMP

FIG.58



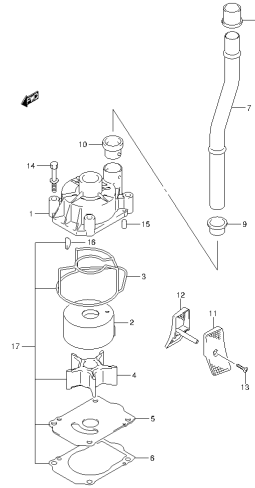
DF150\_175\_E01\_013\_058  
WATER PUMP

FIG.59



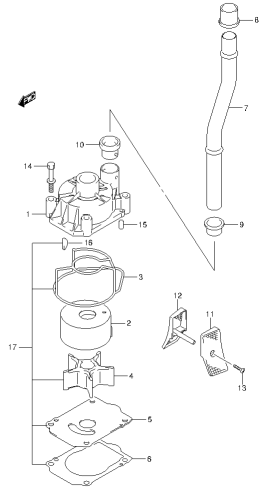
DF150\_175\_E01\_013\_059  
WATER PUMP

FIG.60



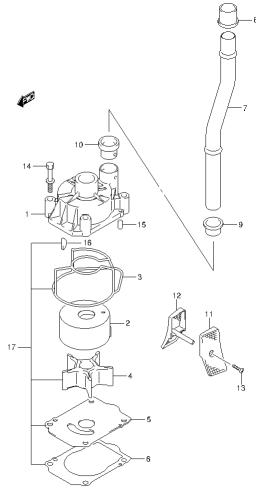
DF150\_175\_E01\_013\_060  
WATER PUMP

FIG.61



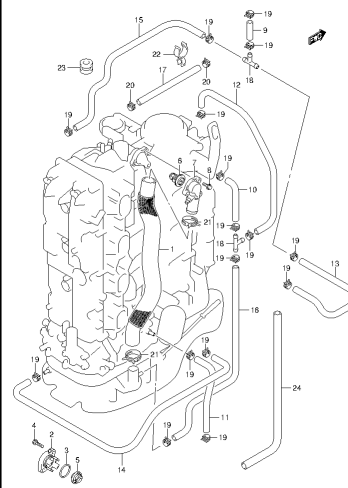
DF150\_175\_E01\_013\_061  
WATER PUMP

FIG.62



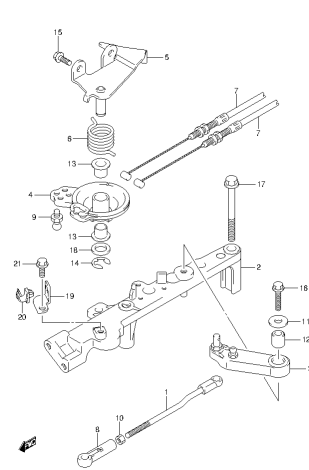
DF150\_175\_E01\_013\_062  
WATER PUMP

FIG.63



DF150\_175\_E01\_013\_063  
THERMOSTAT

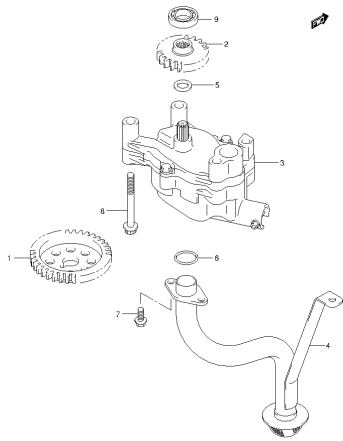
FIG.64



DF150\_175\_E01\_013\_064  
THROTTLE ROD

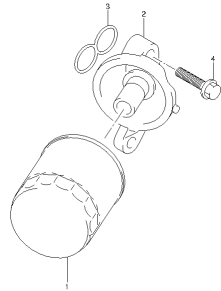


FIG.65



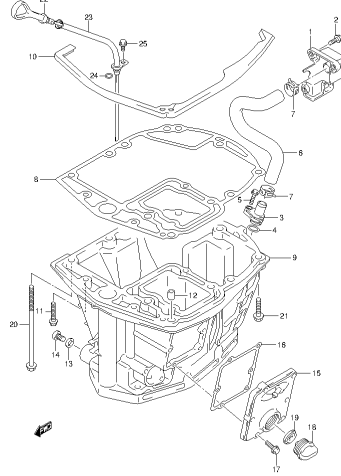
DF150\_175\_E01\_013\_065  
OIL PUMP

FIG.66



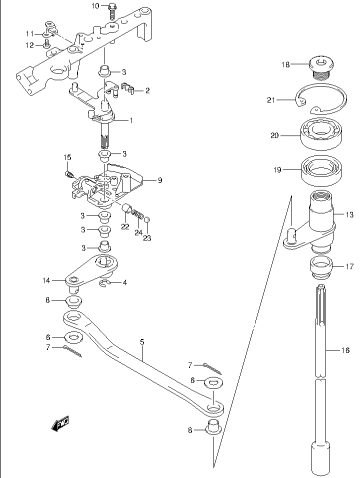
DF150\_175\_E01\_013\_066  
OIL FILTER

FIG.67



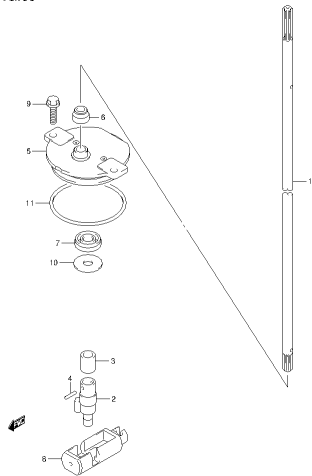
DF150\_175\_E01\_013\_067  
OIL PAN

FIG.68



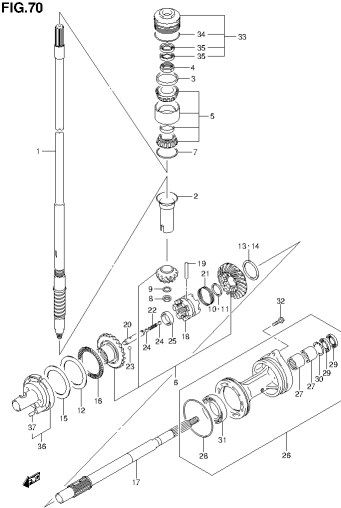
DF150\_175\_E01\_013\_068  
CLUTCH SHAFT

FIG.69



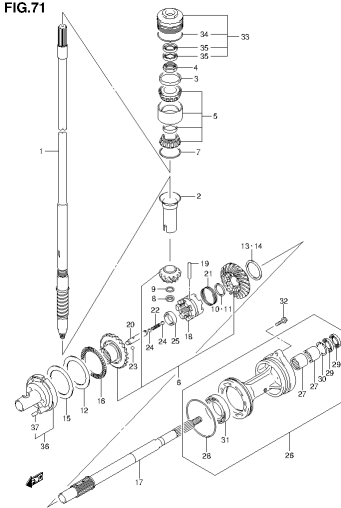
DF150\_175\_E01\_013\_069  
CLUTCH FORK

FIG.70



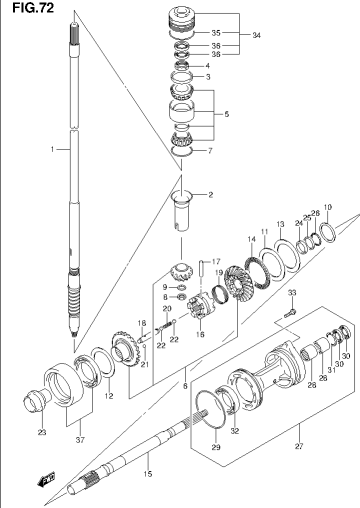
DF150\_175\_E01\_013\_070  
TRANSMISSION

FIG.71



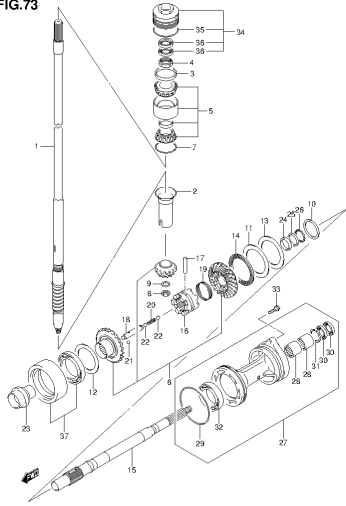
DF150\_175\_E01\_013\_071  
TRANSMISSION

FIG.72



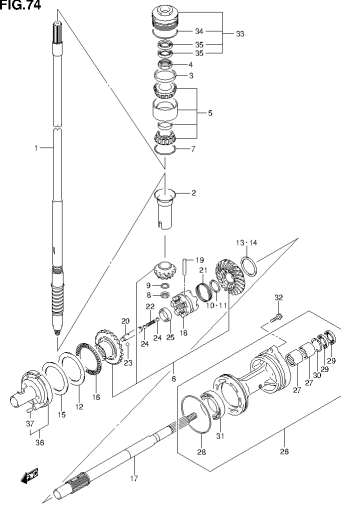
DF150\_175\_E01\_013\_072  
TRANSMISSION

FIG.73



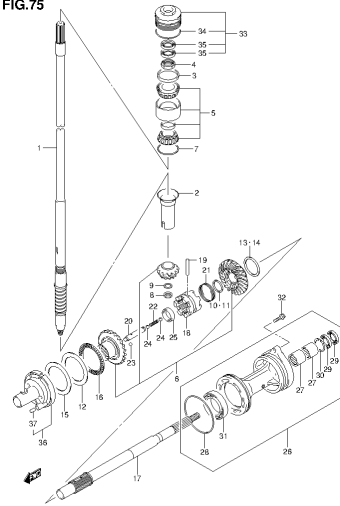
DF150\_175\_E91\_013\_073  
TRANSMISSION

FIG.74



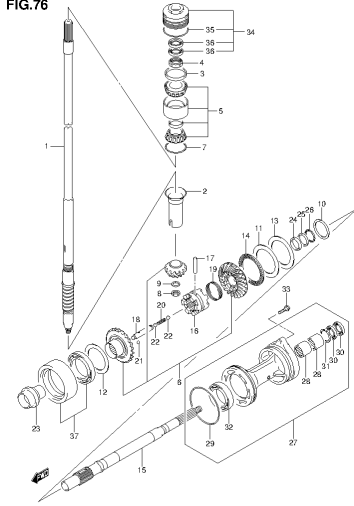
DF150\_175\_E91\_013\_074  
TRANSMISSION

FIG.75



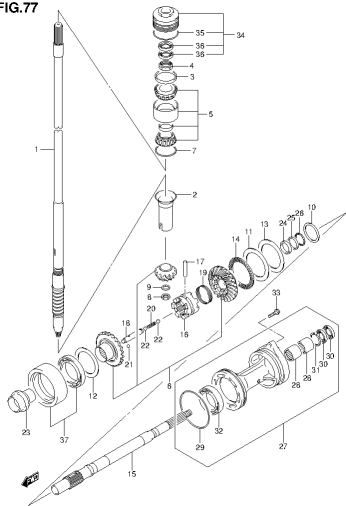
DF150\_175\_E91\_013\_075  
TRANSMISSION

FIG.76



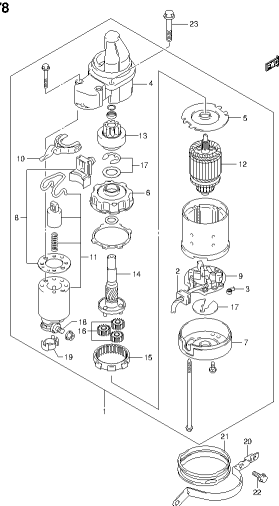
DF150\_175\_E91\_013\_076  
TRANSMISSION

FIG.77



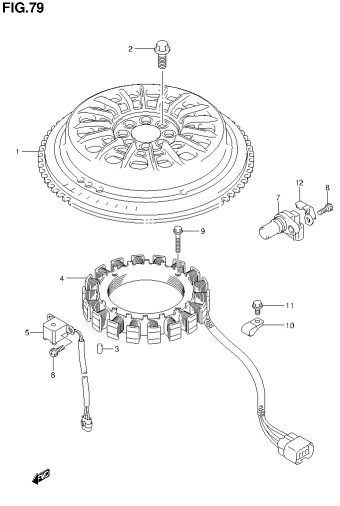
DF150\_175\_E91\_013\_077  
TRANSMISSION

FIG.78



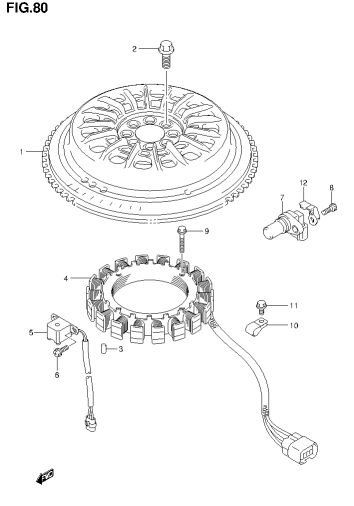
DF150\_175\_E91\_013\_078  
STARTING MOTOR

FIG.79



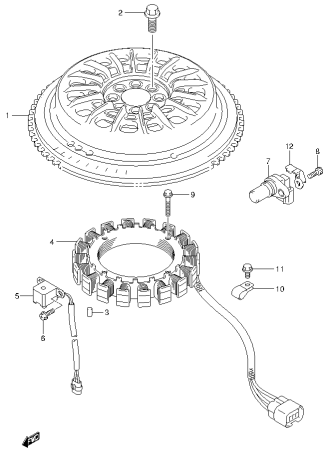
DF150\_175\_E91\_013\_079  
MAGNETO

FIG.80



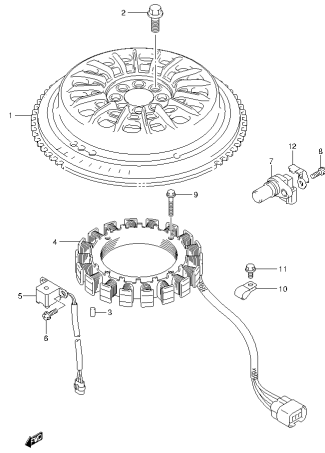
DF150\_175\_E91\_013\_080  
MAGNETO

FIG.81



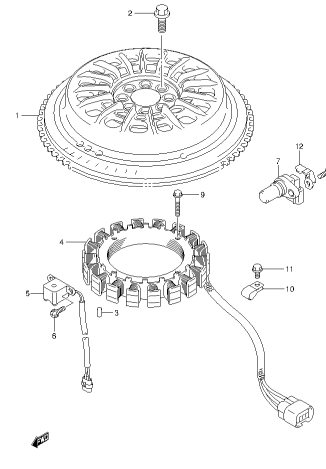
DF150\_175\_E01\_013\_001  
MAGNETO

FIG.82



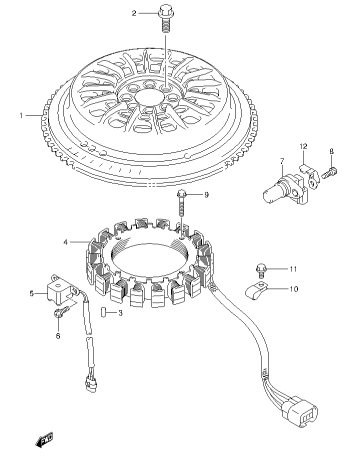
DF150\_175\_E01\_013\_002  
MAGNETO

FIG.83



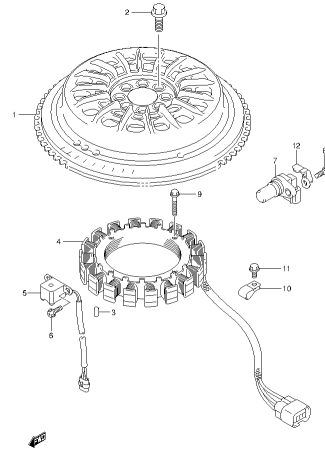
DF150\_175\_E01\_013\_003  
MAGNETO

FIG.84



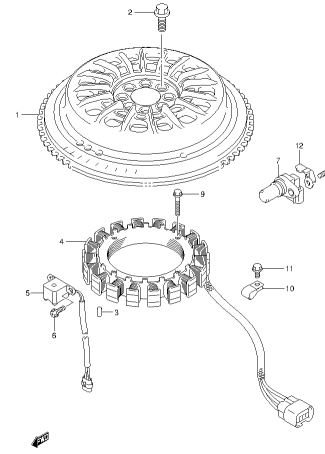
DF150\_175\_E01\_013\_004  
MAGNETO

FIG.85



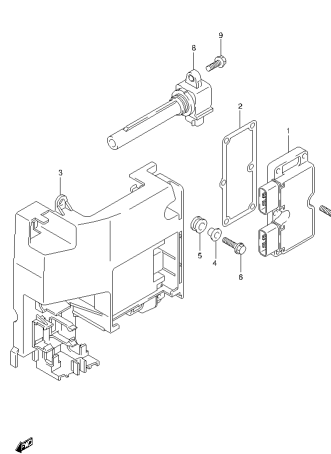
DF150\_175\_E01\_013\_005  
MAGNETO

FIG.86



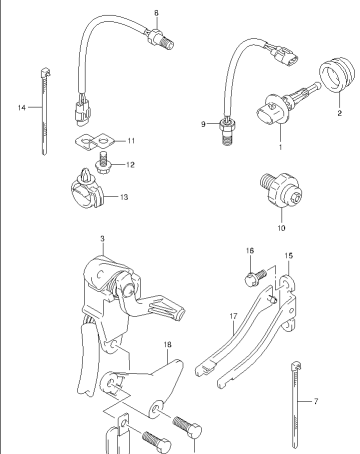
DF150\_175\_E01\_013\_006  
MAGNETO

FIG.87

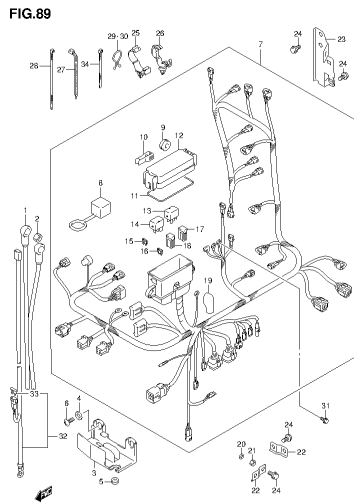


DF150\_175\_E01\_013\_007  
RECTIFIER / IGNITION COIL

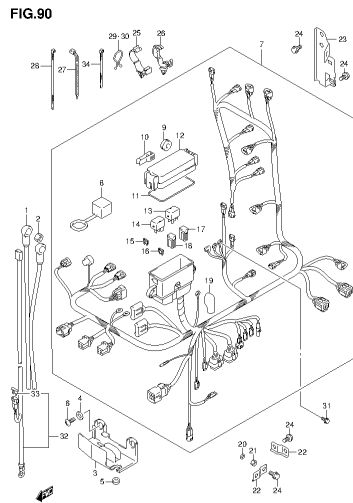
FIG.88



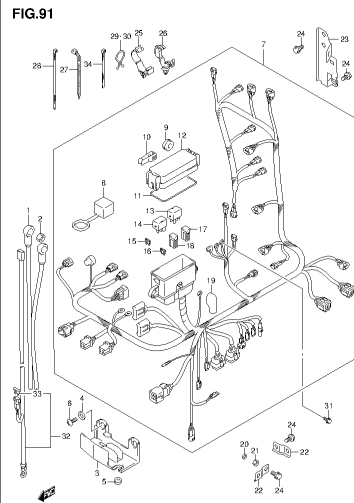
DF150\_175\_E01\_013\_008  
SENSOR



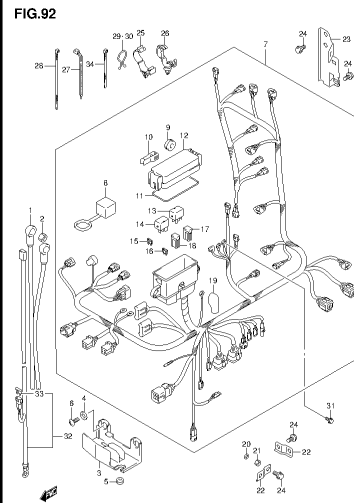
DF150\_175\_E01\_013\_009  
HARNASS



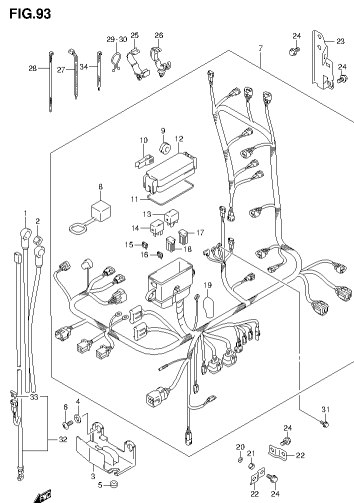
DF150\_175\_E01\_013\_000  
HARNASS



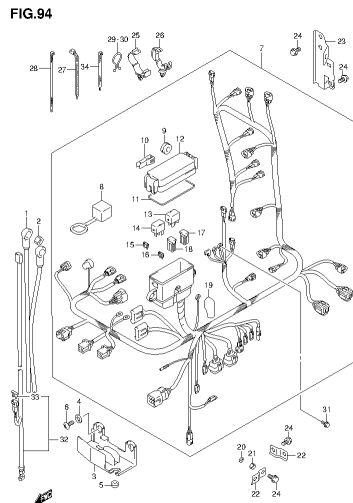
DF150\_175\_E01\_013\_091  
HARNASS



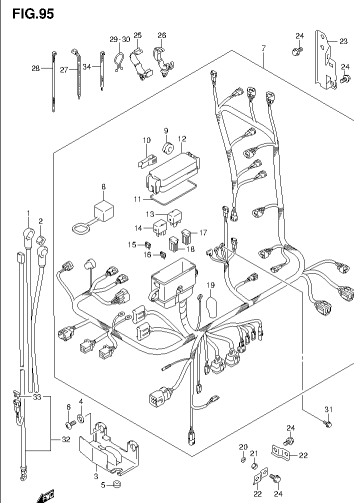
DF150\_175\_E01\_013\_092  
HARNASS



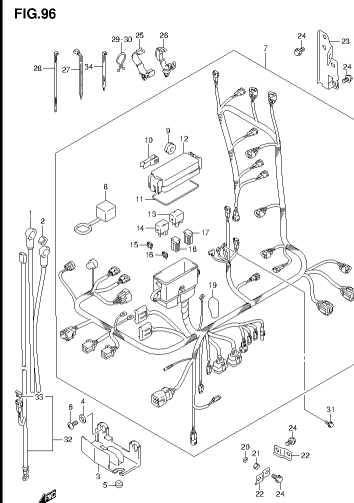
DF150\_175\_E01\_013\_093  
HARNASS



DF150\_175\_E01\_013\_094  
HARNASS

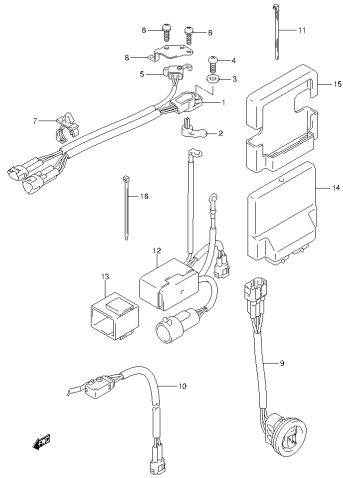


DF150\_175\_E01\_013\_095  
HARNASS



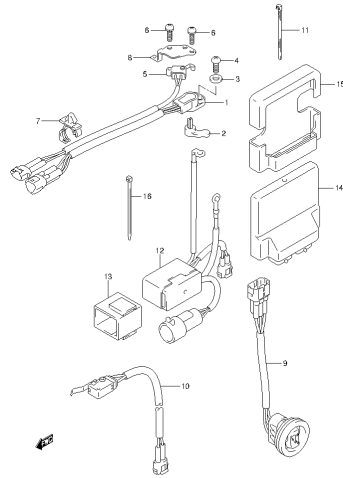
DF150\_175\_E01\_013\_096  
HARNASS

FIG.97



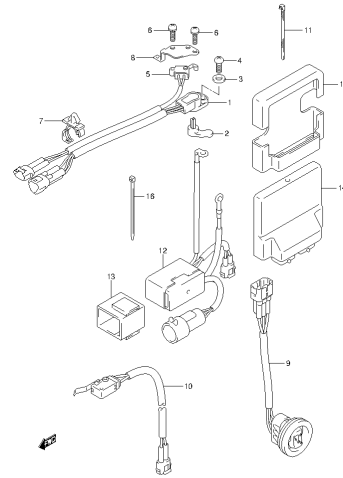
DF150\_175\_E91\_013\_097  
PTT SWITCH /ENGINE CONTROL UNIT

FIG.98



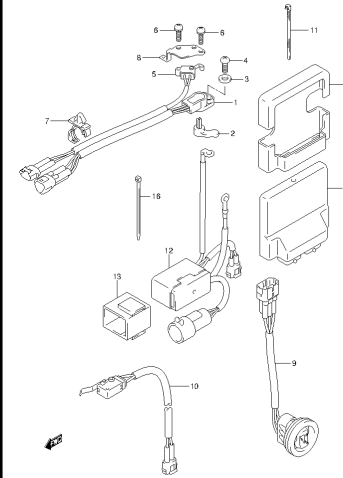
DF150\_175\_E91\_013\_098  
PTT SWITCH /ENGINE CONTROL UNIT

FIG.99



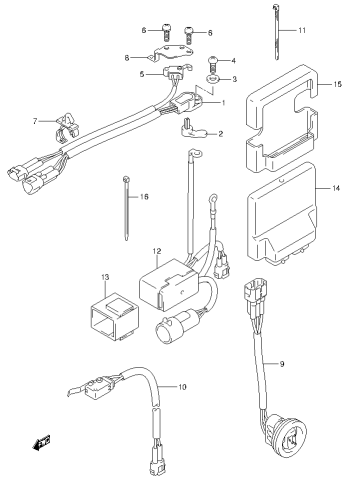
DF150\_175\_E91\_013\_099  
PTT SWITCH /ENGINE CONTROL UNIT

FIG.100



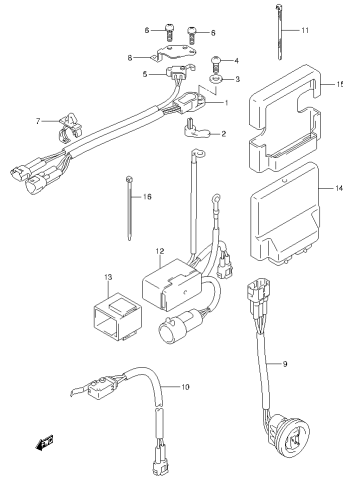
DF150\_175\_E91\_013\_100  
PTT SWITCH /ENGINE CONTROL UNIT

FIG.101



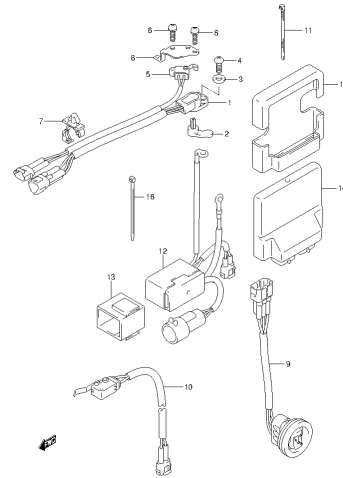
DF150\_175\_E91\_013\_101  
PTT SWITCH /ENGINE CONTROL UNIT

FIG.102



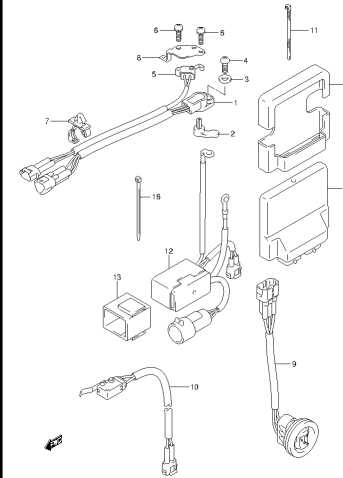
DF150\_175\_E91\_013\_102  
PTT SWITCH /ENGINE CONTROL UNIT

FIG.103



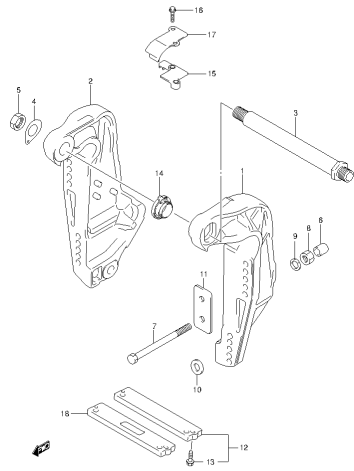
DF150\_175\_E91\_013\_103  
PTT SWITCH /ENGINE CONTROL UNIT

FIG.104



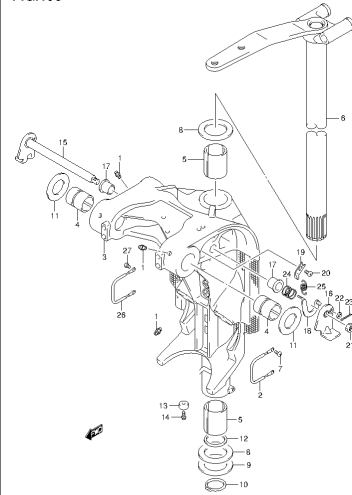
DF150\_175\_E91\_013\_104  
PTT SWITCH /ENGINE CONTROL UNIT

FIG.105



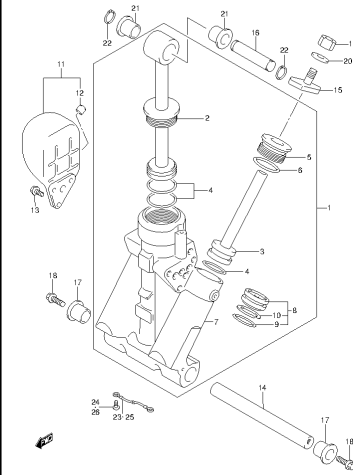
DF150\_175\_E91\_013\_105  
CLAMP BRACKET

FIG.106



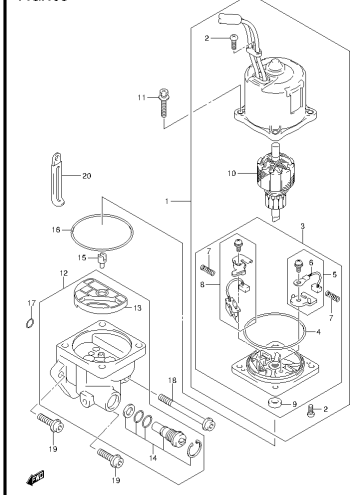
DF150\_175\_E91\_013\_106  
SWIVEL CYLINDER

FIG.107



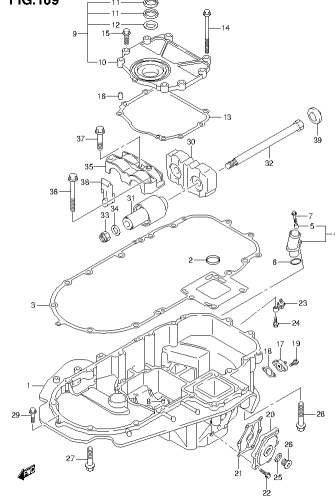
DF150\_175\_E91\_013\_107  
TRIM CYLINDER

FIG.108



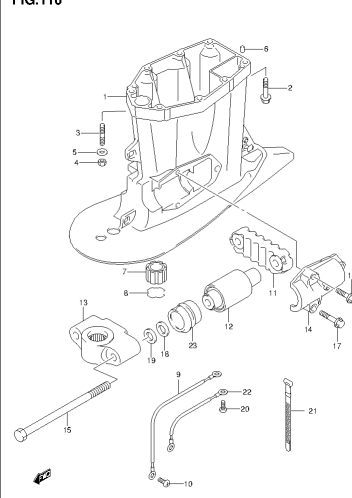
DF150\_175\_E91\_013\_108  
PTT MOTOR

FIG.109



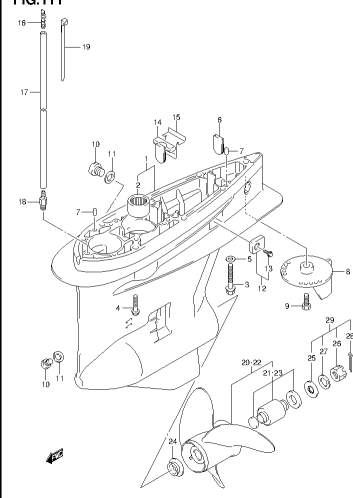
DF150\_175\_E91\_013\_109  
ENGINE HOLDER

FIG.110



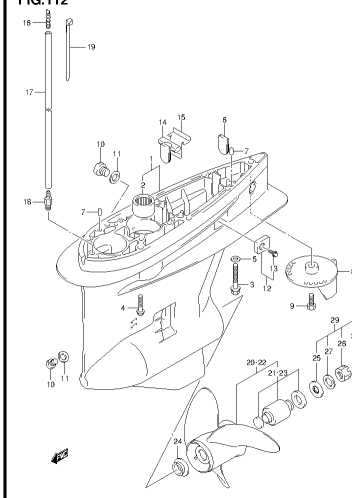
DF150\_175\_E91\_013\_110  
DRIVE SHAFT HOUSING

FIG.111



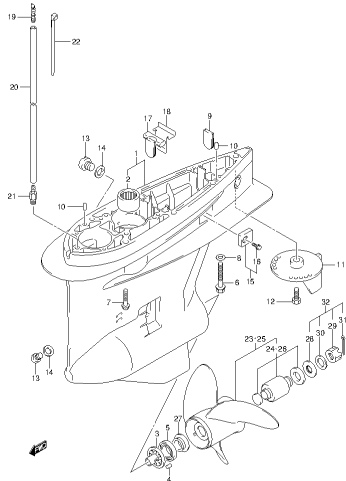
DF150\_175\_E91\_013\_111  
GEAR CASE

FIG.112



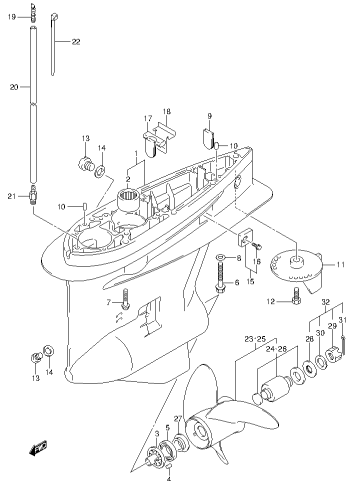
DF150\_175\_E91\_013\_112  
GEAR CASE

FIG.113



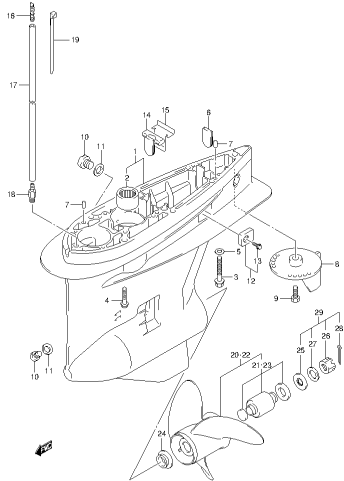
DF150\_175\_E01\_013\_113  
GEAR CASE

FIG.114



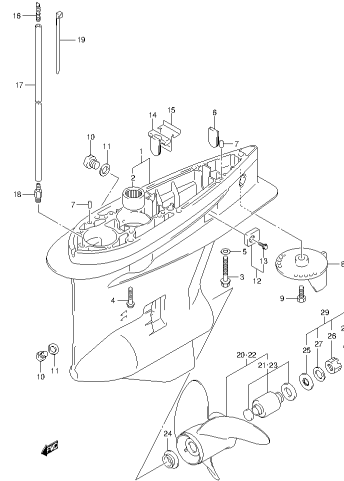
DF150\_175\_E01\_013\_114  
GEAR CASE

FIG.115



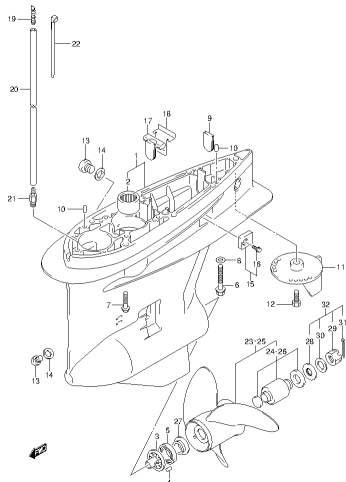
DF150\_175\_E01\_013\_115  
GEAR CASE

FIG.116



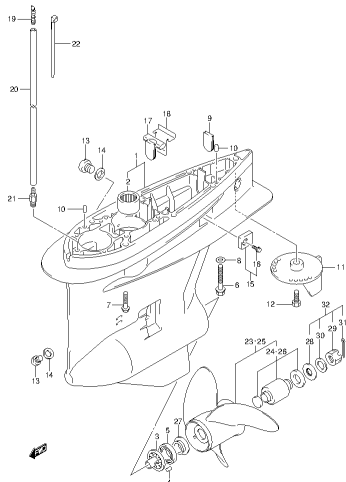
DF150\_175\_E01\_013\_116  
GEAR CASE

FIG.117



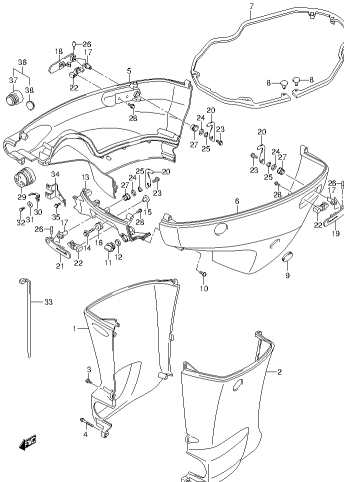
DF150\_175\_E01\_013\_117  
GEAR CASE

FIG.118



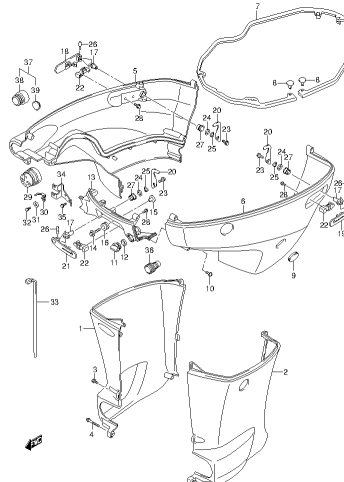
DF150\_175\_E01\_013\_118  
GEAR CASE

FIG.119



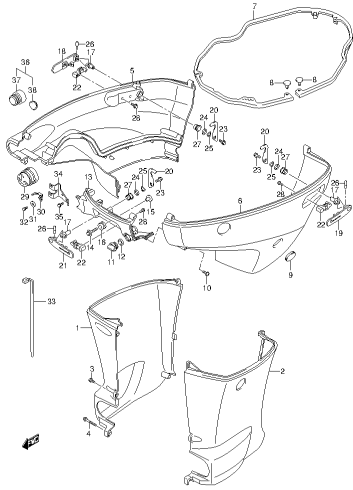
DF150\_175\_E01\_013\_119  
SIDE COVER

FIG.120



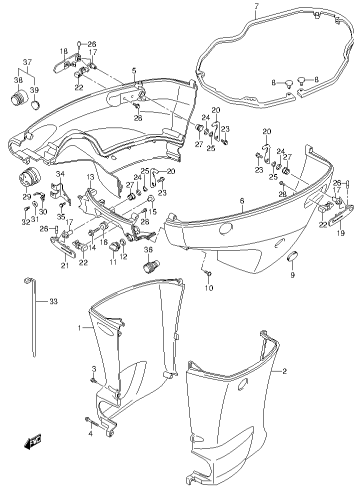
DF150\_175\_E01\_013\_120  
SIDE COVER

FIG.121



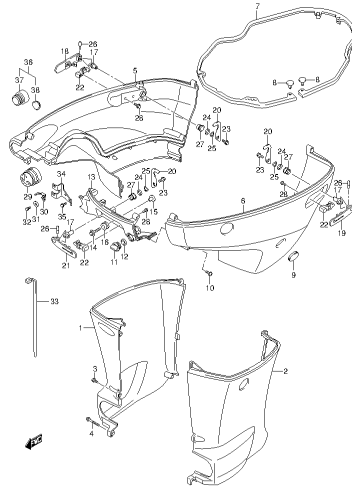
DF150\_175\_E01\_013\_121  
SIDE COVER

FIG.122



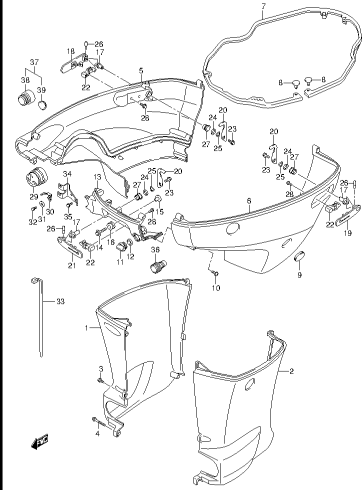
DF150\_175\_E01\_013\_122  
SIDE COVER

FIG.123



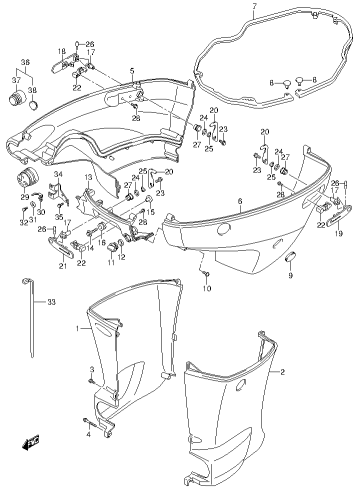
DF150\_175\_E01\_013\_123  
SIDE COVER

FIG.124



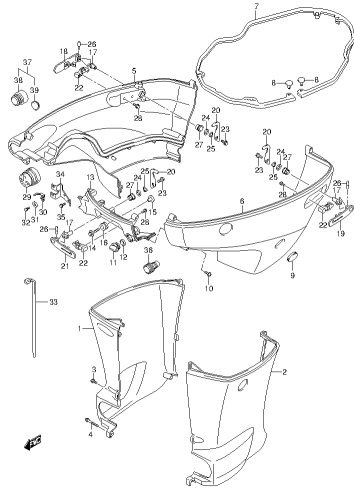
DF150\_175\_E01\_013\_124  
SIDE COVER

FIG.125



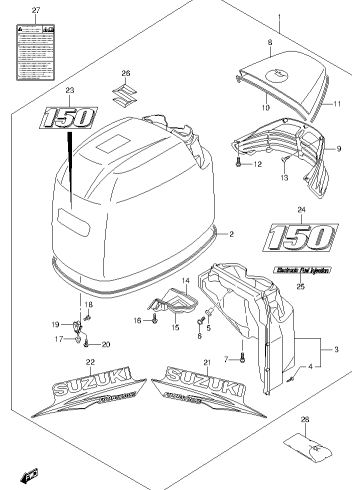
DF150\_175\_E01\_013\_125  
SIDE COVER

FIG.126



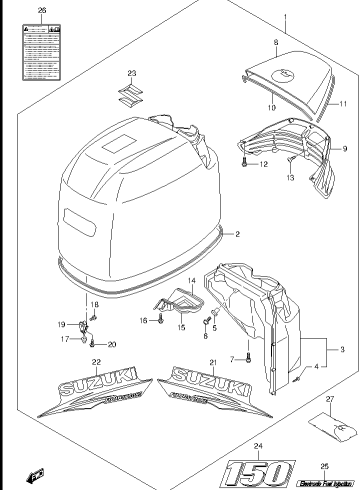
DF150\_175\_E01\_013\_126  
SIDE COVER

FIG.127



DF150\_175\_E01\_013\_127  
ENGINE COVER

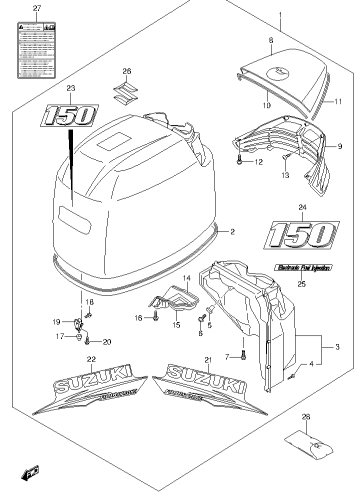
FIG.127A



DF150\_175\_E01\_013\_127A  
ENGINE COVER

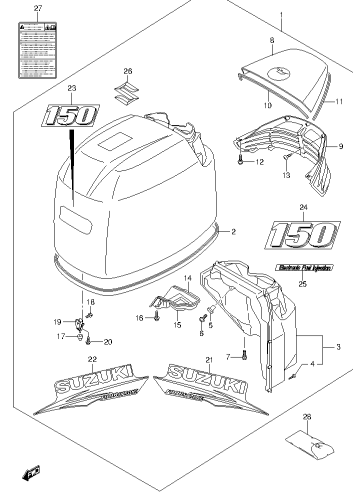


FIG.128



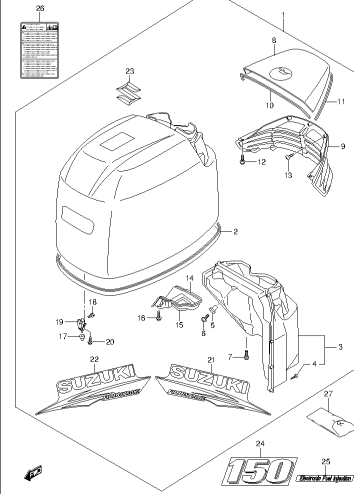
DF150\_175\_E91\_013\_128  
ENGINE COVER

FIG.129



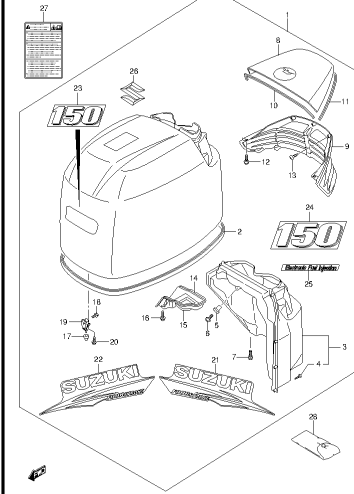
DF150\_175\_E91\_013\_129  
ENGINE COVER

FIG.129A



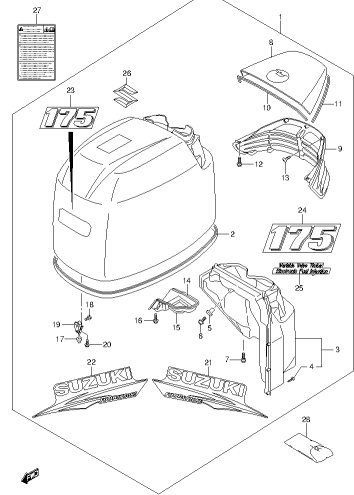
DF150\_175\_E91\_013\_129A  
ENGINE COVER

FIG.130



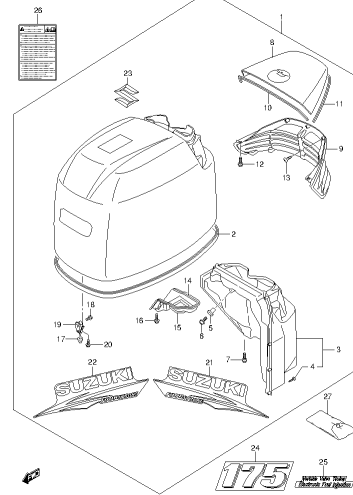
DF150\_175\_E91\_013\_130  
ENGINE COVER

FIG.131



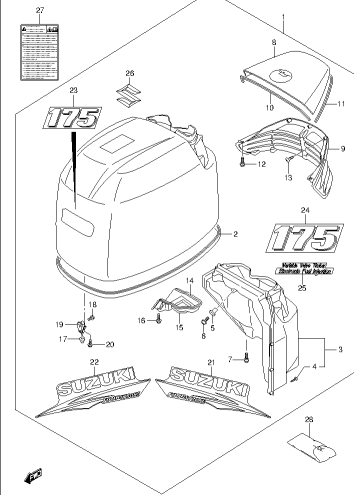
DF150\_175\_E91\_013\_131  
ENGINE COVER

FIG.131A



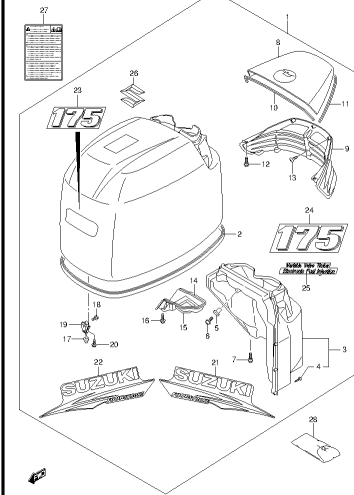
DF150\_175\_E91\_013\_131A  
ENGINE COVER

FIG.132



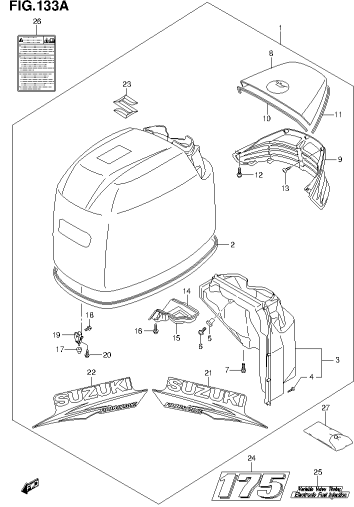
DF150\_175\_E91\_013\_132  
ENGINE COVER

FIG.133



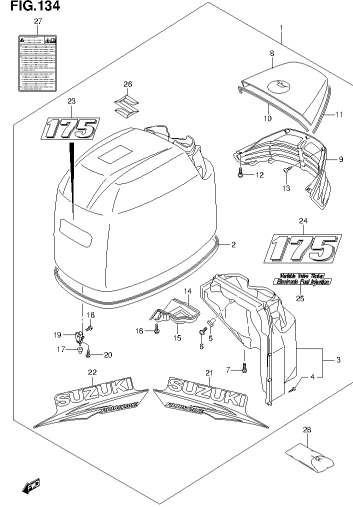
DF150\_175\_E91\_013\_133  
ENGINE COVER

FIG.133A



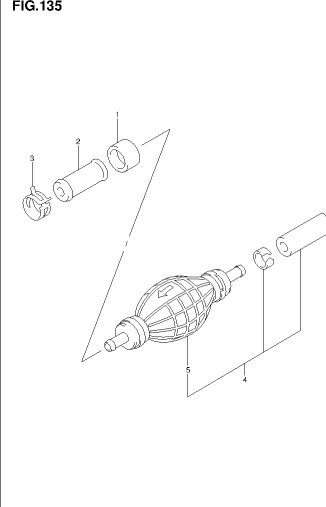
DF150\_175\_E01\_013\_133A  
ENGINE COVER

FIG.134



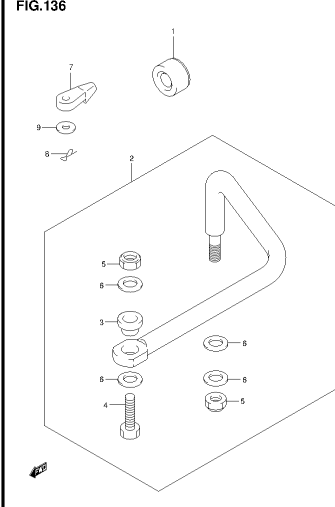
DF150\_175\_E01\_013\_134  
ENGINE COVER

FIG.135



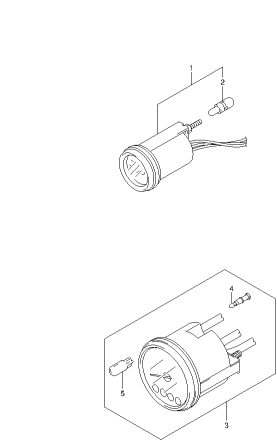
DF150\_175\_E01\_013\_135  
FUEL HOSE

FIG.136



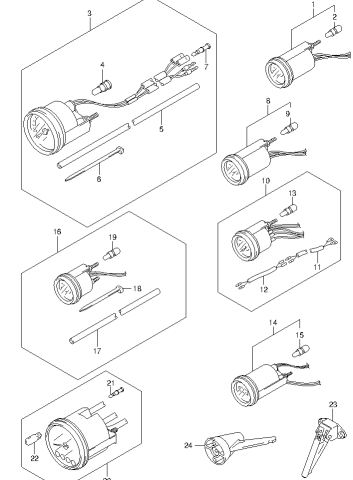
DF150\_175\_E01\_013\_136  
DRAG LINK

FIG.137



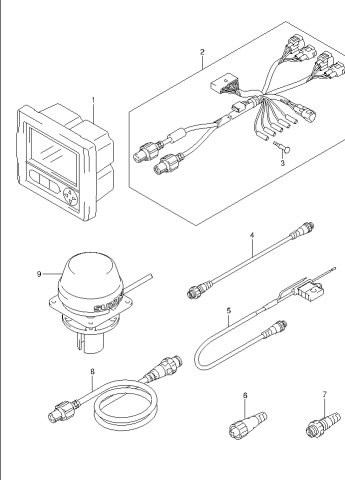
DF150\_175\_E01\_013\_137  
METER

FIG.138



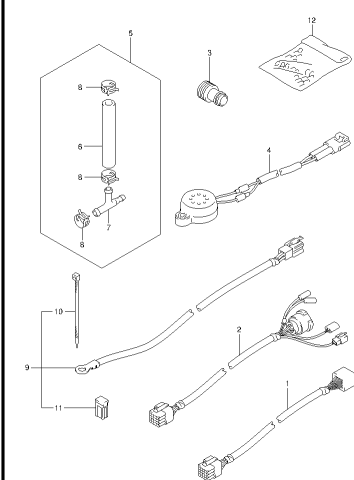
DF150\_175\_E01\_013\_138  
OPT.METER (1)

FIG.139



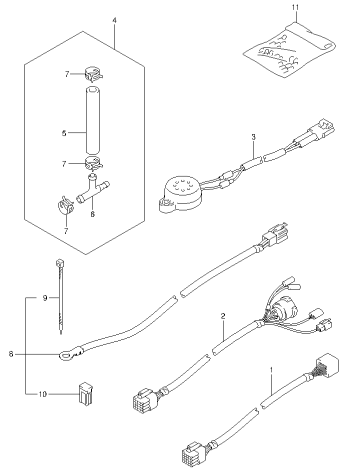
DF150\_175\_E01\_013\_139  
OPT.METER (2)

FIG.140



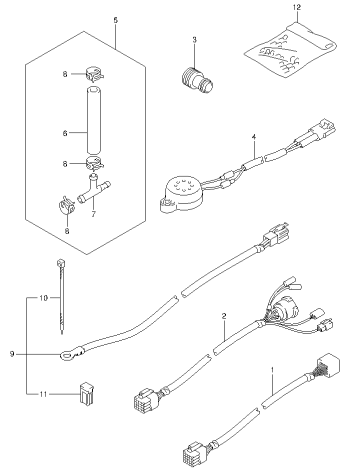
DF150\_175\_E01\_013\_140  
OPT.HARNESS (1)

FIG.141



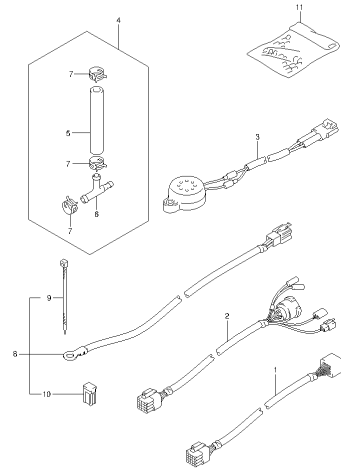
DF150\_175\_E01\_013\_141  
OPT.HARNESS (1)

FIG.142



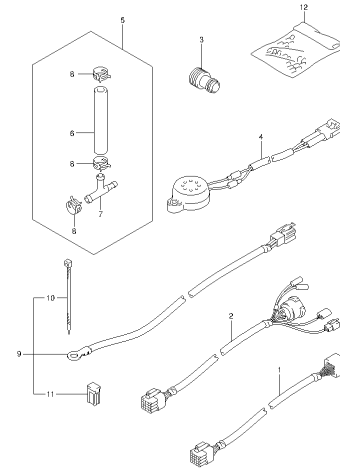
DF150\_175\_E01\_013\_142  
OPT.HARNESS (1)

FIG.143



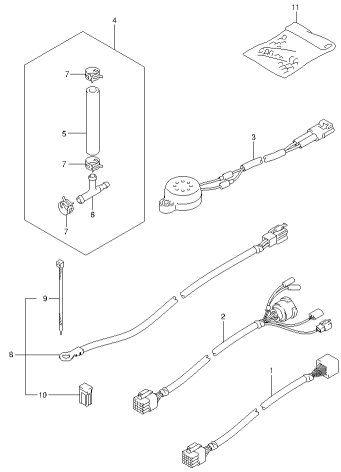
DF150\_175\_E01\_013\_143  
OPT.HARNESS (1)

FIG.144



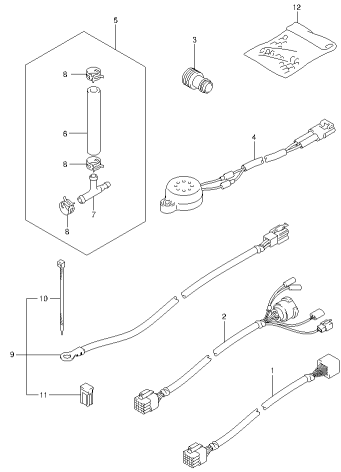
DF150\_175\_E01\_013\_144  
OPT.HARNESS (1)

FIG.145



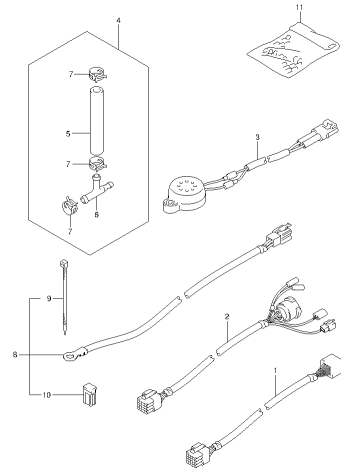
DF150\_175\_E01\_013\_145  
OPT.HARNESS (1)

FIG.146



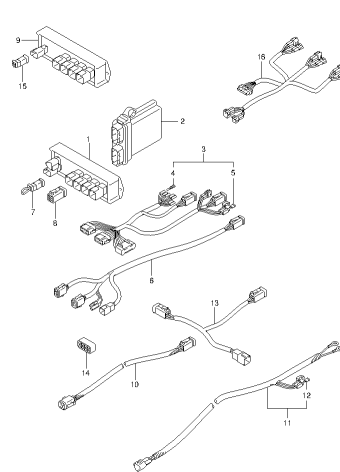
DF150\_175\_E01\_013\_146  
OPT.HARNESS (1)

FIG.147



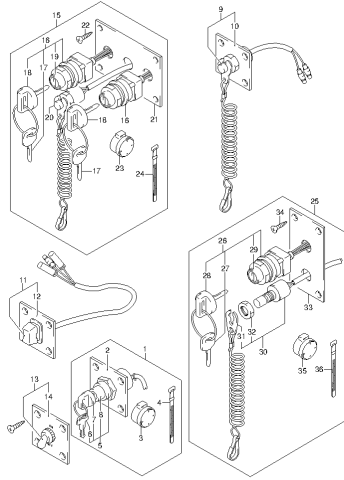
DF150\_175\_E01\_013\_147  
OPT.HARNESS (1)

FIG.148



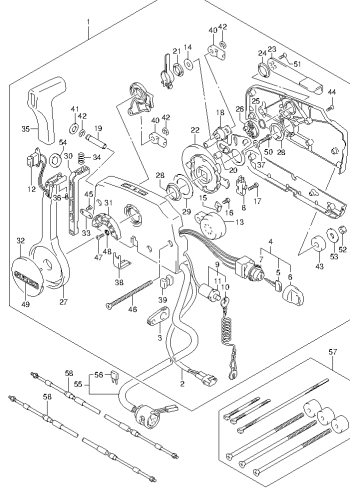
DF150\_175\_E01\_013\_148  
OPT.HARNESS (2)

FIG.149



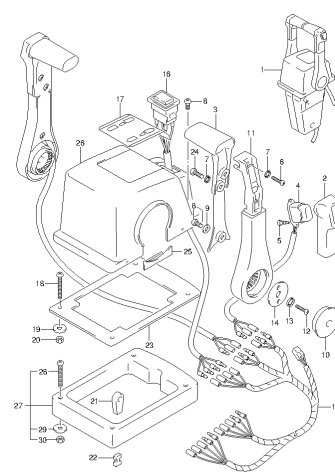
DF150\_175\_E01\_013\_149  
OPT:SWITCH

FIG.150



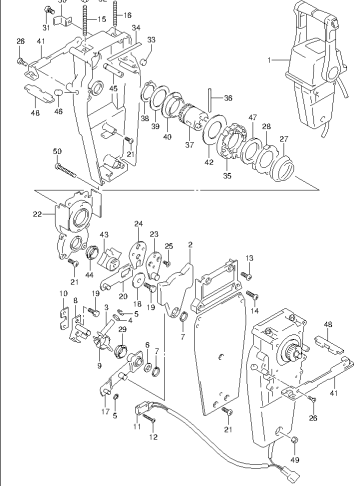
DF150\_175\_E01\_013\_150  
OPT:REMOTE CONTROL

FIG.151



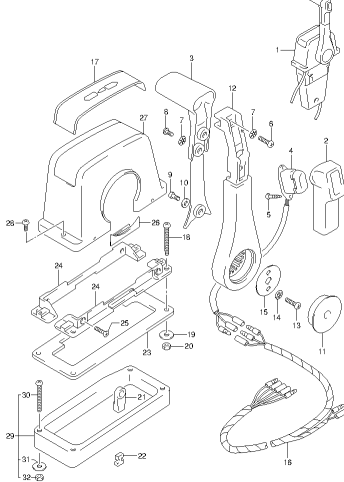
DF150\_175\_E01\_013\_151  
OPT:TOP MOUNT DUAL (1)

FIG.152



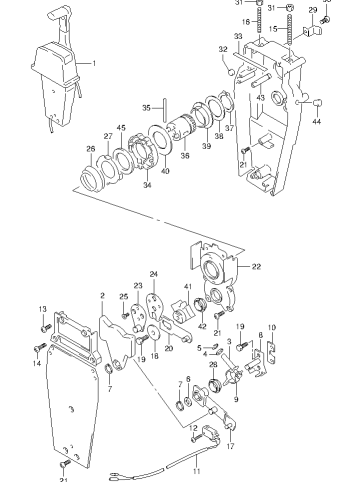
DF150\_175\_E01\_013\_152  
OPT:TOP MOUNT DUAL (2)

FIG.153



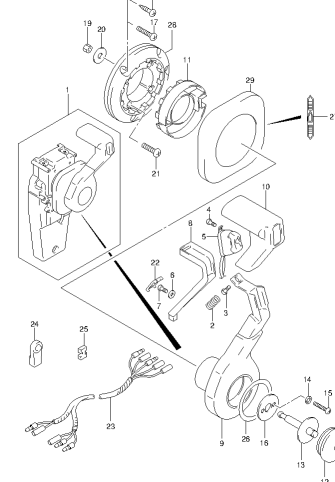
DF150\_175\_E01\_013\_153  
OPT:TOP MOUNT SINGLE (1)

FIG.154



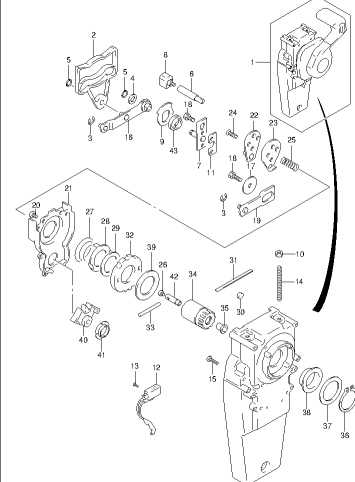
DF150\_175\_E01\_013\_154  
OPT:TOP MOUNT SINGLE (2)

FIG.155



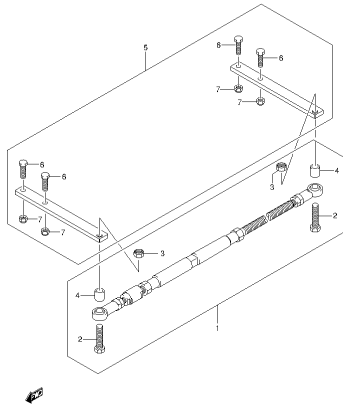
DF150\_175\_E01\_013\_155  
OPT:CONCEALED REMOCCON (1)

FIG.156



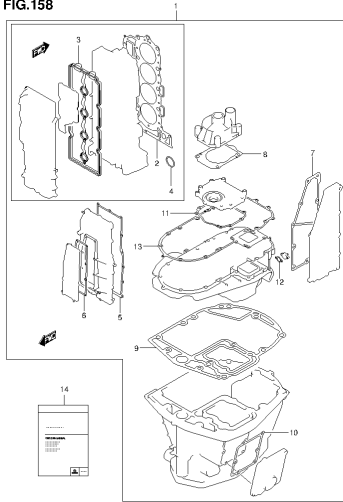
DF150\_175\_E01\_013\_156  
OPT:CONCEALED REMOCCON (2)

FIG.157



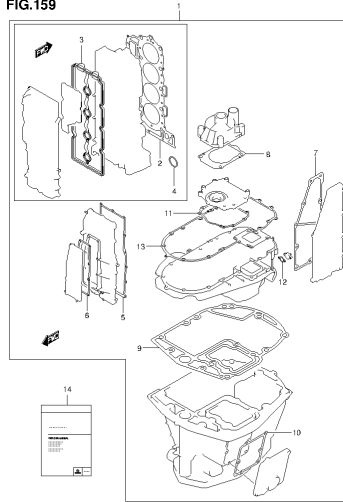
DF150\_175\_E01\_013\_157  
OPT.GARNET ROD

FIG.158



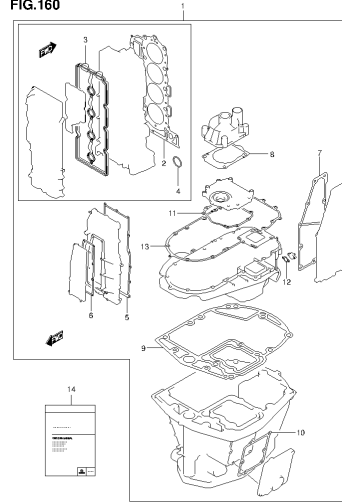
DF150\_175\_E01\_013\_158  
OPT.GARNET SET

FIG.159



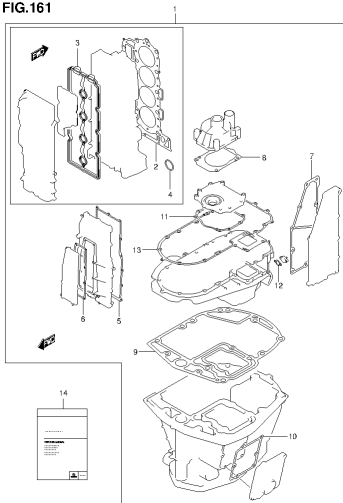
DF150\_175\_E01\_013\_159  
OPT.GARNET SET

FIG.160



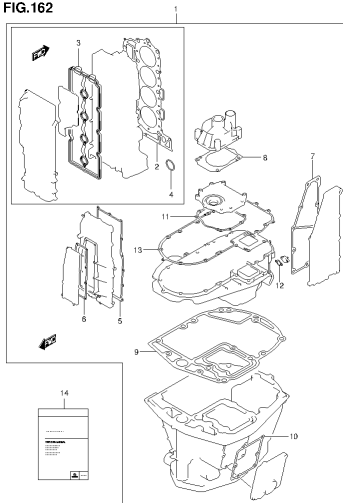
DF150\_175\_E01\_013\_160  
OPT.GARNET SET

FIG.161



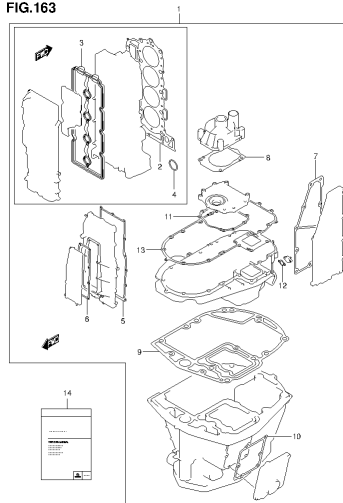
DF150\_175\_E01\_013\_161  
OPT.GARNET SET

FIG.162



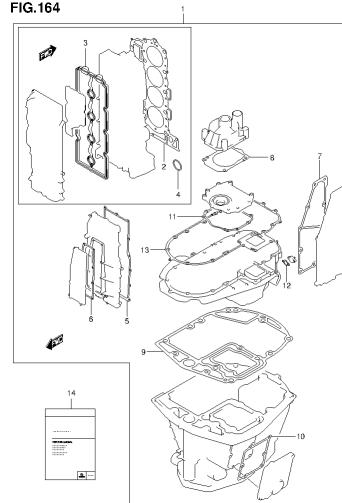
DF150\_175\_E01\_013\_162  
OPT.GARNET SET

FIG.163



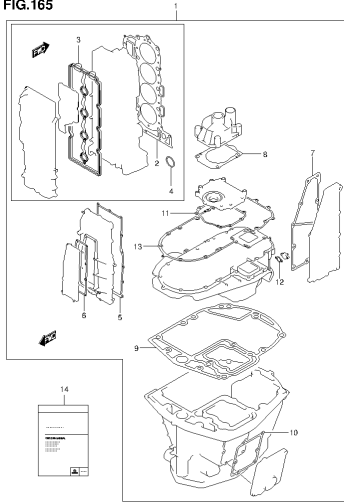
DF150\_175\_E01\_013\_163  
OPT.GARNET SET

FIG.164



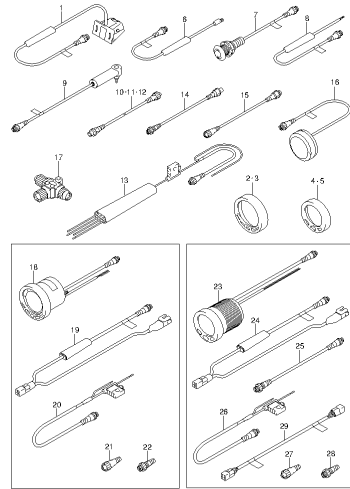
DF150\_175\_E01\_013\_164  
OPT.GARNET SET

FIG.165



DF150\_175\_E01\_013\_165  
CPT: CABINET SET

FIG.166



DF150\_175\_E01\_013\_166  
CPT: FLOWRANCE GAUGE

FIG.1

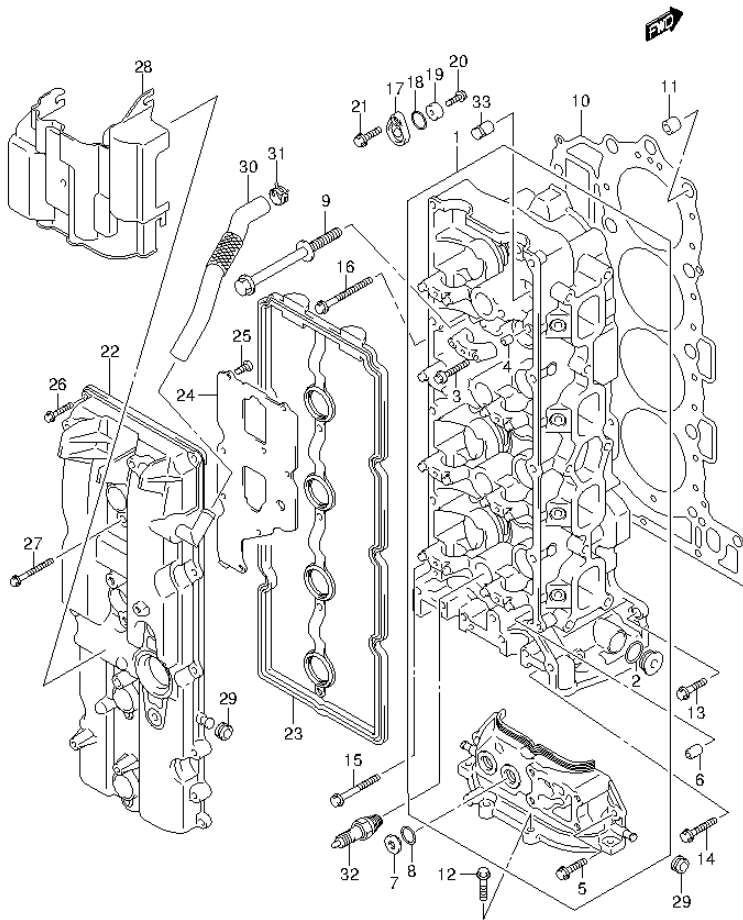


FIG.1 (1-B-2) CYLINDER HEAD (DF150T E1)

REF NO.	PART NO.	DESCRIPTION	Q'TY	REMARKS
1	11101-96J02	HEAD ASSY, CYLINDER	1	
2	11216-90J00	.GASKET	5	
3	09103-06266	.BOLT (6X40)	20	
4	09206-08001	.PIN (8X11)	18	
5	01547-06207	.BOLT	2	
6	11112-84400	PLUG, OIL VENTURI	1	
7	11116-93J01	PLUG	2	
8	09168-16009	GASKET (16X22X0.8)	2	
9	11119-96J00	BOLT, CYL HEAD	10	
10	11141-96J01	GASKET, CYLINDER HEAD	1	
11	09206-15001	PIN (12.4X15X17)	2	
12	01550-08257	BOLT	4	
13	01550-08257	BOLT	1	
14	01550-0835A	BOLT	2	
15	01550-08457	BOLT	1	
16	01550-08607	BOLT	6	
17	11261-93J00	COVER, PROTECTION ANODE	3	
18	09280-22019	O RING (D:1.9,ID:21.8)	3	
19	55321-87J00	ANODE, PROTECTION	3	
20	09103-06281	BOLT (6X14)	3	
21	01550-08207	BOLT	3	
22	11170-96J00	COVER, CYLINDER HEAD	1	
23	11189-96J00	GASKET, CYLINDER HEAD COVER	1	
24	11173-96J00	PLATE, BREATHER	1	
25	02112-0612A	SCREW	8	
26	01547-06257	BOLT	10	
27	01547-06507	BOLT	4	
28	11191-96J00	GUIDE, AIR INTAKE NO.2	1	
29	09320-08076	GROMMET	4	
30	11174-96J00	HOSE, BREATHER	1	
31	09401-18410	CLIP	1	
32	09482-00427	SPARK PLUG (NGK, BKR6E)	4	
33	11115-93J10-001	GUIDE, VALVE (OS)	16	OPT

FIG.2

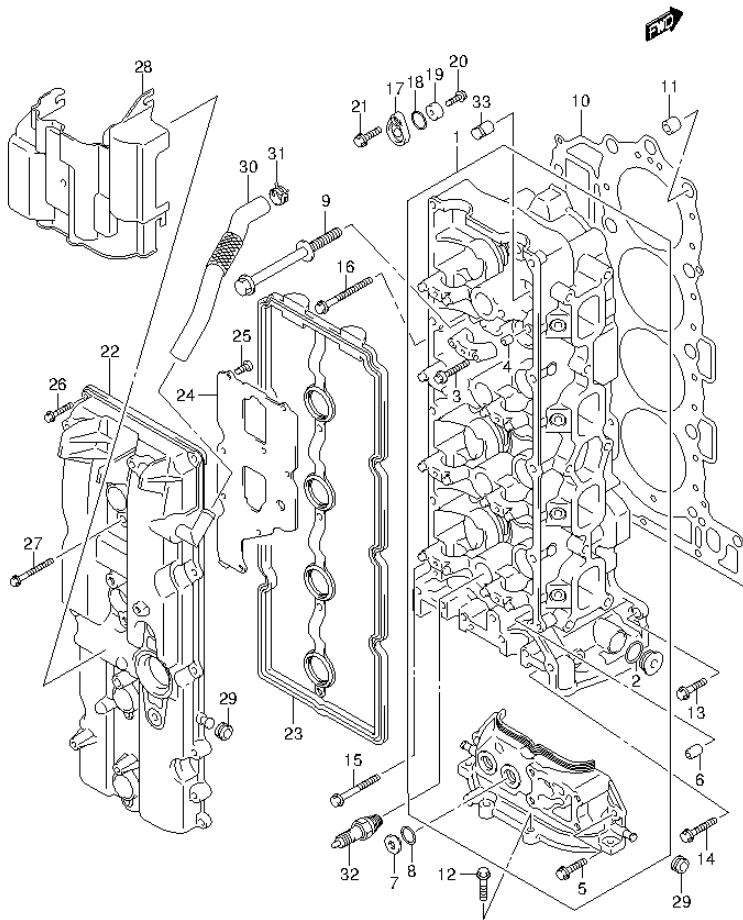


FIG.2 (1-B-3) CYLINDER HEAD (DF150T E40)

REF NO.	PART NO.	DESCRIPTION	Q'TY	REMARKS
1	11101-96J02	HEAD ASSY, CYLINDER	1	
2	11216-90J00	.GASKET	5	
3	09103-06266	.BOLT (6X40)	20	
4	09206-08001	.PIN (8X11)	18	
5	01547-06207	.BOLT	2	
6	11112-84400	PLUG, OIL VENTURI	1	
7	11116-93J01	PLUG	2	
8	09168-16009	GASKET (16X22X0.8)	2	
9	11119-96J00	BOLT, CYL HEAD	10	
10	11141-96J01	GASKET, CYLINDER HEAD	1	
11	09206-15001	PIN (12.4X15X17)	2	
12	01550-08257	BOLT	4	
13	01550-08257	BOLT	1	
14	01550-0835A	BOLT	2	
15	01550-08457	BOLT	1	
16	01550-08607	BOLT	6	
17	11261-93J00	COVER, PROTECTION ANODE	3	
18	09280-22019	O RING (D:1.9,ID:21.8)	3	
19	55321-87J00	ANODE, PROTECTION	3	
20	09103-06281	BOLT (6X14)	3	
21	01550-08207	BOLT	3	
22	11170-96J00	COVER, CYLINDER HEAD	1	
23	11189-96J00	GASKET, CYLINDER HEAD COVER	1	
24	11173-96J00	PLATE, BREATHER	1	
25	02112-0612A	SCREW	8	
26	01547-06257	BOLT	10	
27	01547-06507	BOLT	4	
28	11191-96J00	GUIDE, AIR INTAKE NO.2	1	
29	09320-08076	GROMMET	4	
30	11174-96J00	HOSE, BREATHER	1	
31	09401-18410	CLIP	1	
32	09482-00427	SPARK PLUG (NGK, BKR6E)	4	
33	11115-93J10-001	GUIDE, VALVE (OS)	16	OPT



FIG.3

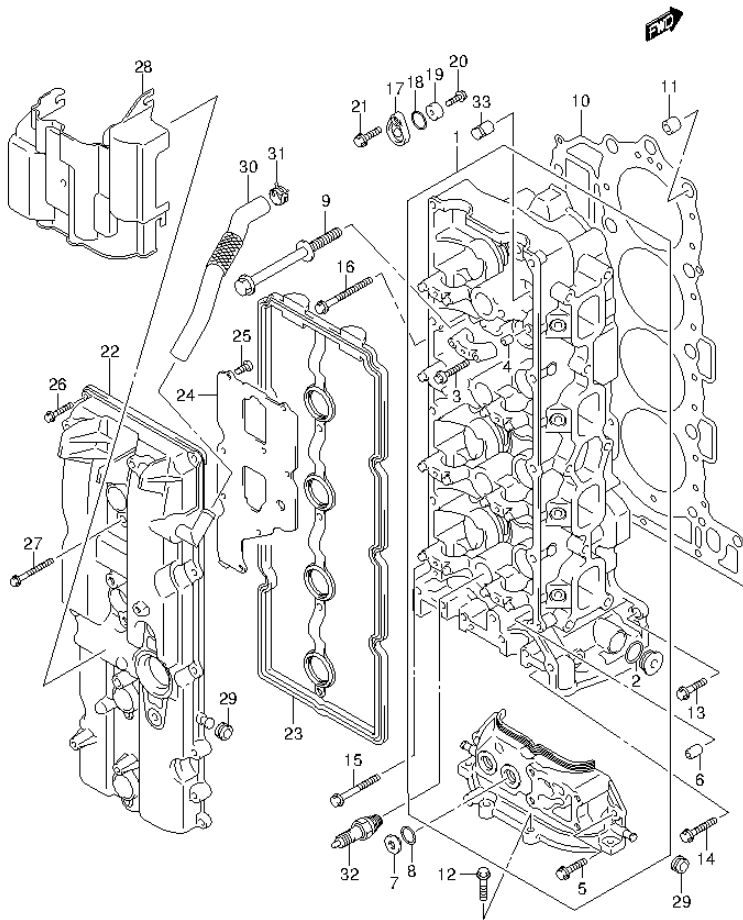


FIG.3 (1-B-4) CYLINDER HEAD (DF150Z E1)

REF NO.	PART NO.	DESCRIPTION	Q'TY	REMARKS
1	11101-96J02	HEAD ASSY, CYLINDER	1	
2	11216-90J00	.GASKET	5	
3	09103-06266	.BOLT (6X40)	20	
4	09206-08001	.PIN (8X11)	18	
5	01547-06207	.BOLT	2	
6	11112-84400	PLUG, OIL VENTURI	1	
7	11116-93J01	PLUG	2	
8	09168-16009	GASKET (16X22X0.8)	2	
9	11119-96J00	BOLT, CYL HEAD	10	
10	11141-96J01	GASKET, CYLINDER HEAD	1	
11	09206-15001	PIN (12.4X15X17)	2	
12	01550-08257	BOLT	4	
13	01550-08257	BOLT	1	
14	01550-0835A	BOLT	2	
15	01550-08457	BOLT	1	
16	01550-08607	BOLT	6	
17	11261-93J00	COVER, PROTECTION ANODE	3	
18	09280-22019	O RING (D:1.9,ID:21.8)	3	
19	55321-87J00	ANODE, PROTECTION	3	
20	09103-06281	BOLT (6X14)	3	
21	01550-08207	BOLT	3	
22	11170-96J00	COVER, CYLINDER HEAD	1	
23	11189-96J00	GASKET, CYLINDER HEAD COVER	1	
24	11173-96J00	PLATE, BREATHER	1	
25	02112-0612A	SCREW	8	
26	01547-06257	BOLT	10	
27	01547-06507	BOLT	4	
28	11191-96J00	GUIDE, AIR INTAKE NO.2	1	
29	09320-08076	GROMMET	4	
30	11174-96J00	HOSE, BREATHER	1	
31	09401-18410	CLIP	1	
32	09482-00427	SPARK PLUG (NGK, BKR6E)	4	
33	11115-93J10-001	GUIDE, VALVE (OS)	16	OPT

FIG.4

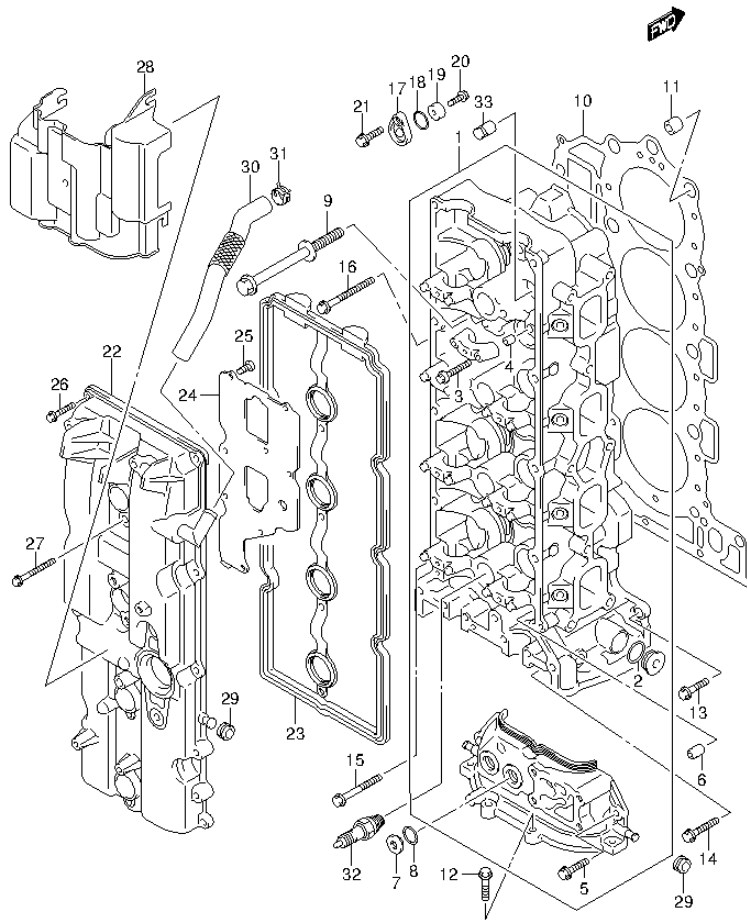


FIG.4 (1-B-5) CYLINDER HEAD (DF150Z E40)

REF NO.	PART NO.	DESCRIPTION	Q'TY	REMARKS
1	11101-96J02	HEAD ASSY, CYLINDER	1	
2	11216-90J00	.GASKET	5	
3	09103-06266	.BOLT (6X40)	20	
4	09206-08001	.PIN (8X11)	18	
5	01547-06207	.BOLT	2	
6	11112-84400	PLUG, OIL VENTURI	1	
7	11116-93J01	PLUG	2	
8	09168-16009	GASKET (16X22X0.8)	2	
9	11119-96J00	BOLT, CYL HEAD	10	
10	11141-96J01	GASKET, CYLINDER HEAD	1	
11	09206-15001	PIN (12.4X15X17)	2	
12	01550-08257	BOLT	4	
13	01550-08257	BOLT	1	
14	01550-0835A	BOLT	2	
15	01550-08457	BOLT	1	
16	01550-08607	BOLT	6	
17	11261-93J00	COVER, PROTECTION ANODE	3	
18	09280-22019	O RING (D:1.9,ID:21.8)	3	
19	55321-87J00	ANODE, PROTECTION	3	
20	09103-06281	BOLT (6X14)	3	
21	01550-08207	BOLT	3	
22	11170-96J00	COVER, CYLINDER HEAD	1	
23	11189-96J00	GASKET, CYLINDER HEAD COVER	1	
24	11173-96J00	PLATE, BREATHER	1	
25	02112-0612A	SCREW	8	
26	01547-06257	BOLT	10	
27	01547-06507	BOLT	4	
28	11191-96J00	GUIDE, AIR INTAKE NO.2	1	
29	09320-08076	GROMMET	4	
30	11174-96J00	HOSE, BREATHER	1	
31	09401-18410	CLIP	1	
32	09482-00427	SPARK PLUG (NGK, BKR6E)	4	
33	11115-93J10-001	GUIDE, VALVE (OS)	16	OPT

FIG.5

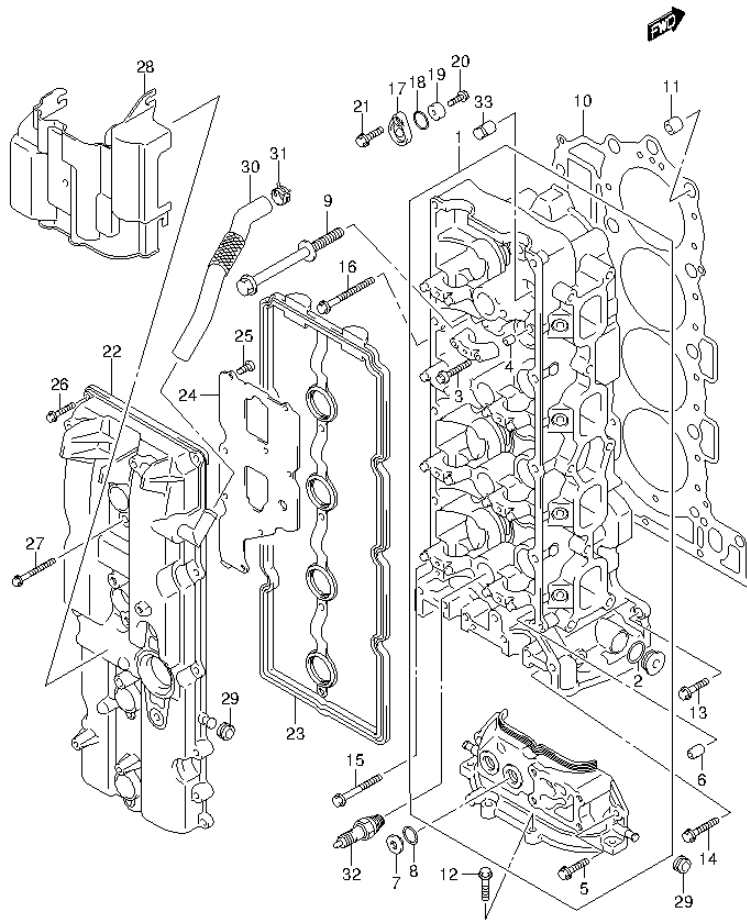


FIG.5 (1-B-6) CYLINDER HEAD (DF175T E1)

REF NO.	PART NO.	DESCRIPTION	Q'TY	REMARKS
1	11101-96J02	HEAD ASSY, CYLINDER	1	
2	11216-90J00	.GASKET	5	
3	09103-06266	.BOLT (6X40)	20	
4	09206-08001	.PIN (8X11)	18	
5	01547-06207	.BOLT	2	
6	11112-84400	PLUG, OIL VENTURI	1	
7	11116-93J01	PLUG	2	
8	09168-16009	GASKET (16X22X0.8)	2	
9	11119-96J00	BOLT, CYL HEAD	10	
10	11141-96J01	GASKET, CYLINDER HEAD	1	
11	09206-15001	PIN (12.4X15X17)	2	
12	01550-08257	BOLT	4	
13	01550-08257	BOLT	1	
14	01550-0835A	BOLT	2	
15	01550-08457	BOLT	1	
16	01550-08607	BOLT	6	
17	11261-93J00	COVER, PROTECTION ANODE	3	
18	09280-22019	O RING (D:1.9,ID:21.8)	3	
19	55321-87J00	ANODE, PROTECTION	3	
20	09103-06281	BOLT (6X14)	3	
21	01550-08207	BOLT	3	
22	11170-96J10	COVER, CYLINDER HEAD	1	
23	11189-96J00	GASKET, CYLINDER HEAD COVER	1	
24	11173-96J00	PLATE, BREATHER	1	
25	02112-0612A	SCREW	8	
26	01547-06257	BOLT	10	
27	01547-06507	BOLT	4	
28	11191-96J00	GUIDE, AIR INTAKE NO.2	1	
29	09320-08076	GROMMET	4	
30	11174-96J00	HOSE, BREATHER	1	
31	09401-18410	CLIP	1	
32	09482-00427	SPARK PLUG (NGK, BKR6E)	4	
33	11115-93J10-001	GUIDE, VALVE (OS)	16	OPT

FIG.6

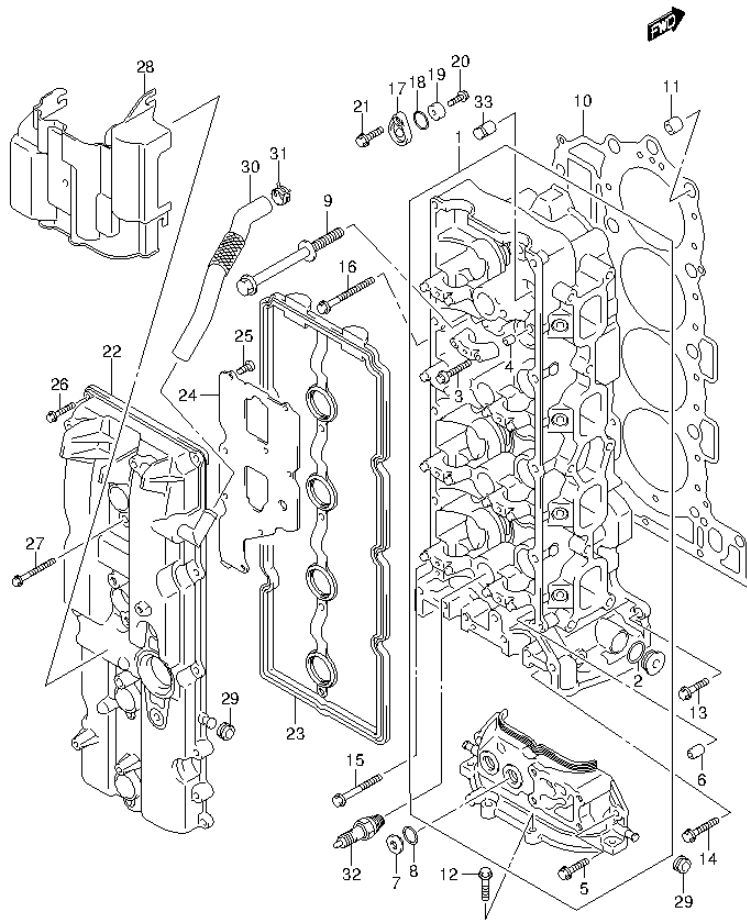


FIG.6 (1-B-7) CYLINDER HEAD (DF175T E40)

REF NO.	PART NO.	DESCRIPTION	Q'TY	REMARKS
1	11101-96J02	HEAD ASSY, CYLINDER	1	
2	11216-90J00	.GASKET	5	
3	09103-06266	.BOLT (6X40)	20	
4	09206-08001	.PIN (8X11)	18	
5	01547-06207	.BOLT	2	
6	11112-84400	PLUG, OIL VENTURI	1	
7	11116-93J01	PLUG	2	
8	09168-16009	GASKET (16X22X0.8)	2	
9	11119-96J00	BOLT, CYL HEAD	10	
10	11141-96J01	GASKET, CYLINDER HEAD	1	
11	09206-15001	PIN (12.4X15X17)	2	
12	01550-08257	BOLT	4	
13	01550-08257	BOLT	1	
14	01550-0835A	BOLT	2	
15	01550-08457	BOLT	1	
16	01550-08607	BOLT	6	
17	11261-93J00	COVER, PROTECTION ANODE	3	
18	09280-22019	O RING (D:1.9,ID:21.8)	3	
19	55321-87J00	ANODE, PROTECTION	3	
20	09103-06281	BOLT (6X14)	3	
21	01550-08207	BOLT	3	
22	11170-96J10	COVER, CYLINDER HEAD	1	
23	11189-96J00	GASKET, CYLINDER HEAD COVER	1	
24	11173-96J00	PLATE, BREATHER	1	
25	02112-0612A	SCREW	8	
26	01547-06257	BOLT	10	
27	01547-06507	BOLT	4	
28	11191-96J00	GUIDE, AIR INTAKE NO.2	1	
29	09320-08076	GROMMET	4	
30	11174-96J00	HOSE, BREATHER	1	
31	09401-18410	CLIP	1	
32	09482-00427	SPARK PLUG (NGK, BKR6E)	4	
33	11115-93J10-001	GUIDE, VALVE (OS)	16	OPT

FIG.7

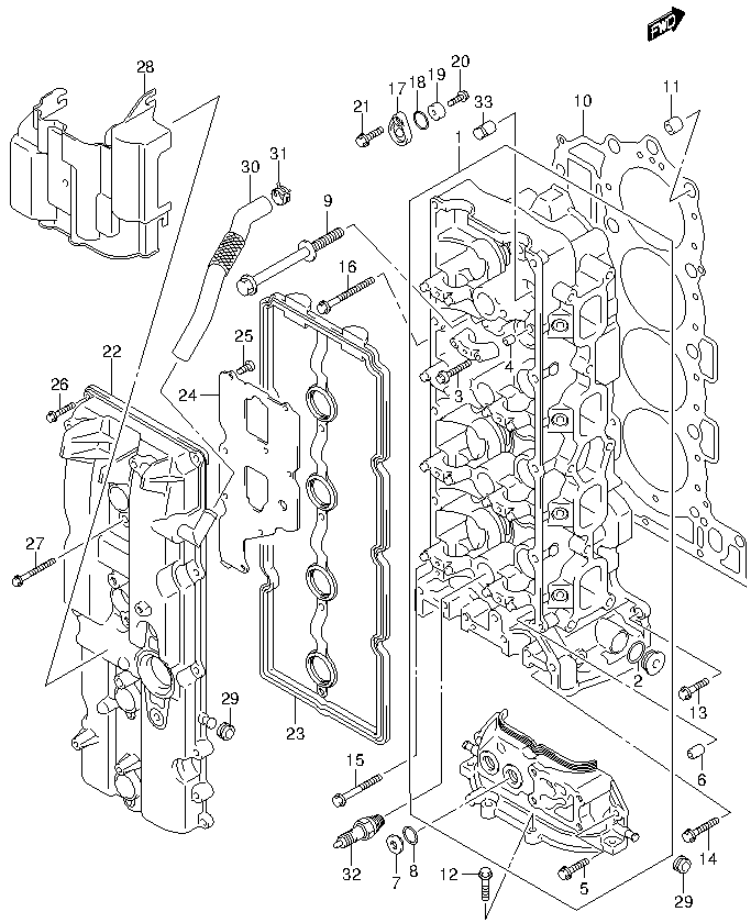


FIG.7 (1-B-8) CYLINDER HEAD (DF175Z E1)

REF NO.	PART NO.	DESCRIPTION	Q'TY	REMARKS
1	11101-96J02	HEAD ASSY, CYLINDER	1	
2	11216-90J00	.GASKET	5	
3	09103-06266	.BOLT (6X40)	20	
4	09206-08001	.PIN (8X11)	18	
5	01547-06207	.BOLT	2	
6	11112-84400	PLUG, OIL VENTURI	1	
7	11116-93J01	PLUG	2	
8	09168-16009	GASKET (16X22X0.8)	2	
9	11119-96J00	BOLT, CYL HEAD	10	
10	11141-96J01	GASKET, CYLINDER HEAD	1	
11	09206-15001	PIN (12.4X15X17)	2	
12	01550-08257	BOLT	4	
13	01550-08257	BOLT	1	
14	01550-0835A	BOLT	2	
15	01550-08457	BOLT	1	
16	01550-08607	BOLT	6	
17	11261-93J00	COVER, PROTECTION ANODE	3	
18	09280-22019	O RING (D:1.9,ID:21.8)	3	
19	55321-87J00	ANODE, PROTECTION	3	
20	09103-06281	BOLT (6X14)	3	
21	01550-08207	BOLT	3	
22	11170-96J10	COVER, CYLINDER HEAD	1	
23	11189-96J00	GASKET, CYLINDER HEAD COVER	1	
24	11173-96J00	PLATE, BREATHER	1	
25	02112-0612A	SCREW	8	
26	01547-06257	BOLT	10	
27	01547-06507	BOLT	4	
28	11191-96J00	GUIDE, AIR INTAKE NO.2	1	
29	09320-08076	GROMMET	4	
30	11174-96J00	HOSE, BREATHER	1	
31	09401-18410	CLIP	1	
32	09482-00427	SPARK PLUG (NGK, BKR6E)	4	
33	11115-93J10-001	GUIDE, VALVE (OS)	16	OPT

FIG.8

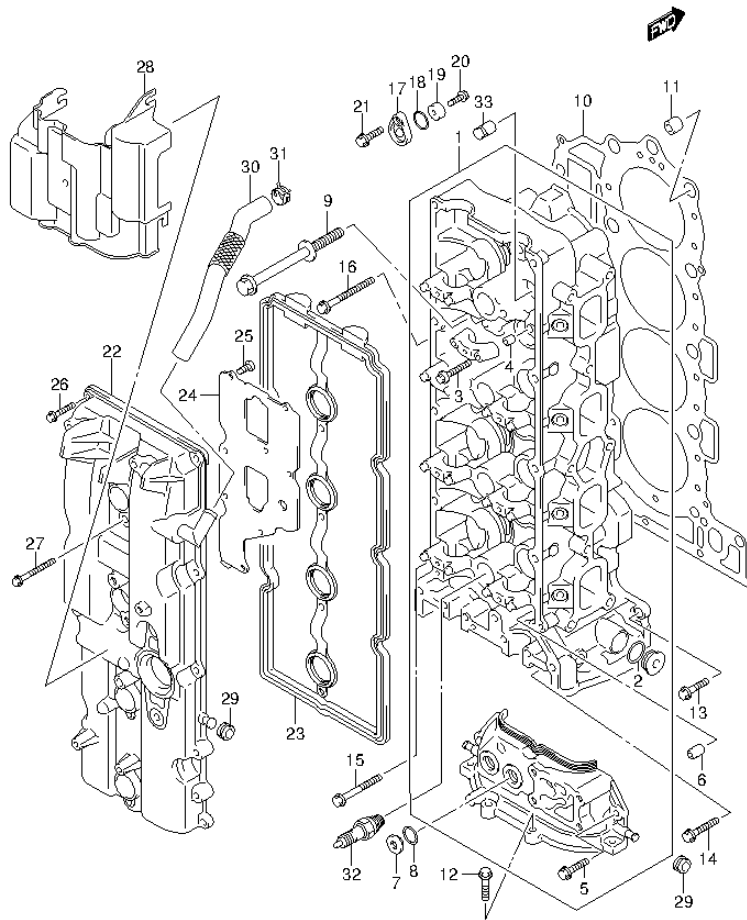


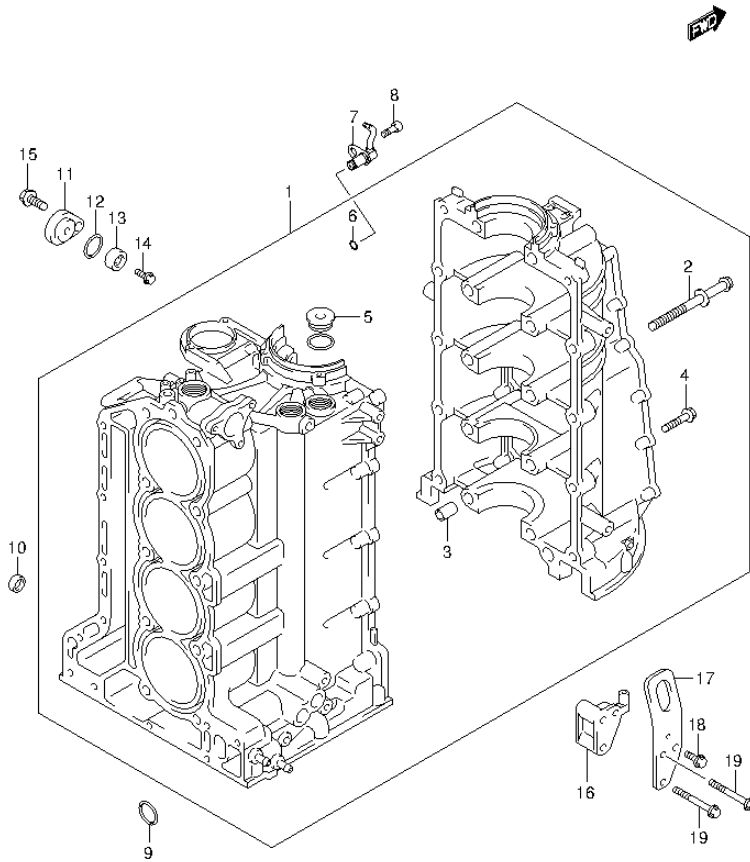
FIG.8 (1-B-9) CYLINDER HEAD (DF175Z E40)

REF NO.	PART NO.	DESCRIPTION	Q'TY	REMARKS
1	11101-96J02	HEAD ASSY, CYLINDER	1	
2	11216-90J00	.GASKET	5	
3	09103-06266	.BOLT (6X40)	20	
4	09206-08001	.PIN (8X11)	18	
5	01547-06207	.BOLT	2	
6	11112-84400	PLUG, OIL VENTURI	1	
7	11116-93J01	PLUG	2	
8	09168-16009	GASKET (16X22X0.8)	2	
9	11119-96J00	BOLT, CYL HEAD	10	
10	11141-96J01	GASKET, CYLINDER HEAD	1	
11	09206-15001	PIN (12.4X15X17)	2	
12	01550-08257	BOLT	4	
13	01550-08257	BOLT	1	
14	01550-0835A	BOLT	2	
15	01550-08457	BOLT	1	
16	01550-08607	BOLT	6	
17	11261-93J00	COVER, PROTECTION ANODE	3	
18	09280-22019	O RING (D:1.9,ID:21.8)	3	
19	55321-87J00	ANODE, PROTECTION	3	
20	09103-06281	BOLT (6X14)	3	
21	01550-08207	BOLT	3	
22	11170-96J10	COVER, CYLINDER HEAD	1	
23	11189-96J00	GASKET, CYLINDER HEAD COVER	1	
24	11173-96J00	PLATE, BREATHER	1	
25	02112-0612A	SCREW	8	
26	01547-06257	BOLT	10	
27	01547-06507	BOLT	4	
28	11191-96J00	GUIDE, AIR INTAKE NO.2	1	
29	09320-08076	GROMMET	4	
30	11174-96J00	HOSE, BREATHER	1	
31	09401-18410	CLIP	1	
32	09482-00427	SPARK PLUG (NGK, BKR6E)	4	
33	11115-93J10-001	GUIDE, VALVE (OS)	16	OPT

FIG.9

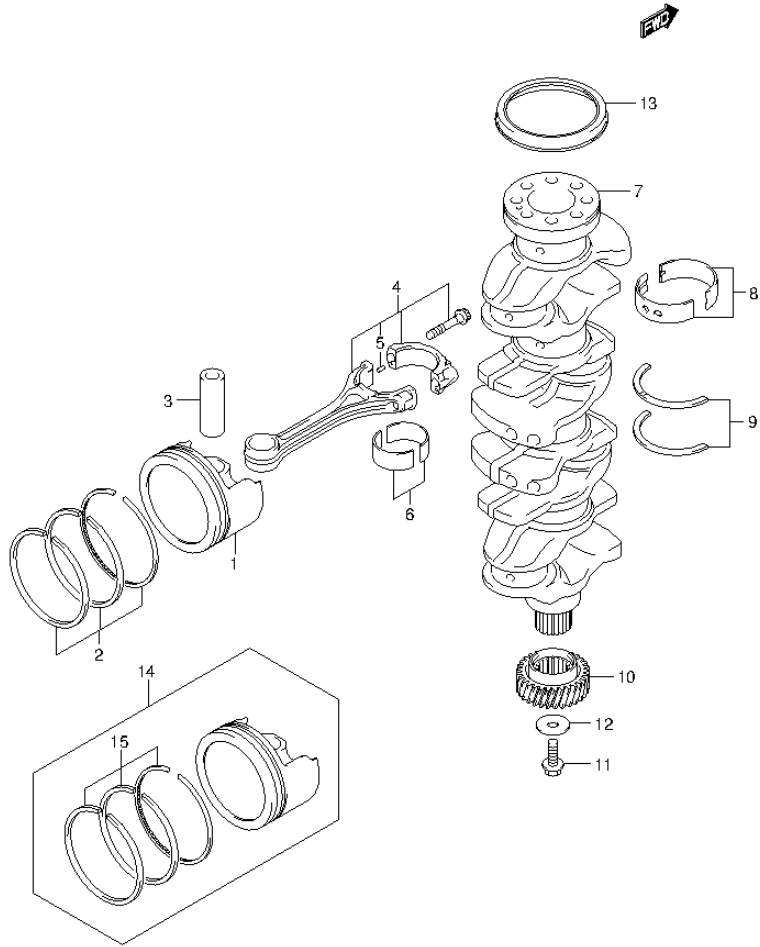
FIG.9 (1-B-10) CYLINDER BLOCK

REF NO.	PART NO.	DESCRIPTION	Q'TY	REMARKS
1	11300-96J10	BLOCK ASSY, CYLINDER	1	
2	11117-96J01	.BOLT, CRANKCASE (11X128)	10	
3	09206-14004	.PIN (14X11.4X23)	5	
4	09103-10284	.BOLT (10X45)	10	
5	09248-26001	.PLUG (26X11)	4	
6	09280-05007	.O RING (D:1.2,ID:4.7)	4	
7	11390-96J00	JET, PISTON COOLING	4	
8	09106-06075	BOLT (6X12)	4	
9	11318-96J00	O RING, BALANCER OIL GALLERY	1	
10	09329-14002	CUSHION	2	
11	11261-93J00	COVER, PROTECTION ANODE	1	
12	09280-22019	O RING (D:1.9,ID:21.8)	1	
13	55321-87J00	ANODE, PROTECTION	1	
14	09103-06281	BOLT (6X14)	1	
15	01550-08207	BOLT	1	
16	11294-96J00	BRACKET, STBD HOOK	1	
17	11291-96J00	HOOK, ENGINE STBD	1	
18	01550-08167	BOLT	1	
19	01550-08557	BOLT	2	



**FIG.10**

**FIG.10 (1-B-11) CRANKSHAFT**



REF NO.	PART NO.	DESCRIPTION	Q'TY	REMARKS
1	12111-96J01-0B0	PISTON	4	
2	12140-96J00	RING SET, PISTON	4	
3	12151-96J00	PIN, PISTON	4	
4	12160-96J00	CONNROD ASSY	4	
5	04221-04089	.PIN	8	
6-1	12100-96811-0A0	BEARING SET, CONNROD (GREEN)	4	
6-2	12100-96811-025	BEARING SET, CONNROD (US:0.25) (RED)	4	OPT
7	12221-96J10	CRANKSHAFT	1	
8-1	12340-96J01-0B0	BEARING SET, CRANKSHAFT (BLACK)	5	
8-2	12340-96J01-0C0	BEARING SET, CRANKSHAFT (NON)	5	
8-3	12340-96J01-0D0	BEARING SET, CRANKSHAFT (YELLOW)	5	
8-4	12340-96J01-0E0	BEARING SET, CRANKSHAFT (BLUE)	5	
8-5	12340-96J01-0F0	BEARING SET, CRANKSHAFT (PINK)	5	
8-6	12300-96811-0BA	BEARING SET, CRANKSHAFT (RED/BLACK)	5	OPT US:0.25
8-7	12300-96811-0CA	BEARING SET, CRANKSHAFT (RED)	5	OPT US:0.25
8-8	12300-96811-0DA	BEARING SET, CRANKSHAFT (RED/YELLOW)	5	OPT US:0.25
8-9	12300-96811-0EA	BEARING SET, CRANKSHAFT (RED/BLUE)	5	OPT US:0.25
8-10	12300-96811-0FA	BEARING SET, CRANKSHAFT (RED/PINK)	5	OPT US:0.25
9-1	12300-85830	BEARING SET, CRANK THRUST	1	
9-2	12300-85830-012	BEARING SET, CRANK THRUST (OS:0.12)	1	OPT



**FIG.10**

**FIG.10 (1-B-12) CRANKSHAFT**

REF NO.	PART NO.	DESCRIPTION	Q'TY	REMARKS
10	12242-96J00	GEAR, DRIVE (NT:30)	1	
11	09103-10229	BOLT (10X32)	1	
12	09160-10120	WASHER (10X42X3)	1	
13	09283-91001	OIL SEAL (91X109X10)	1	
14	12100-96J01-050	PISTON SET (OS:0.50)	4	OPT
15	12140-96J00-050	.RING SET, PISTON (OS:0.50)	4	OPT

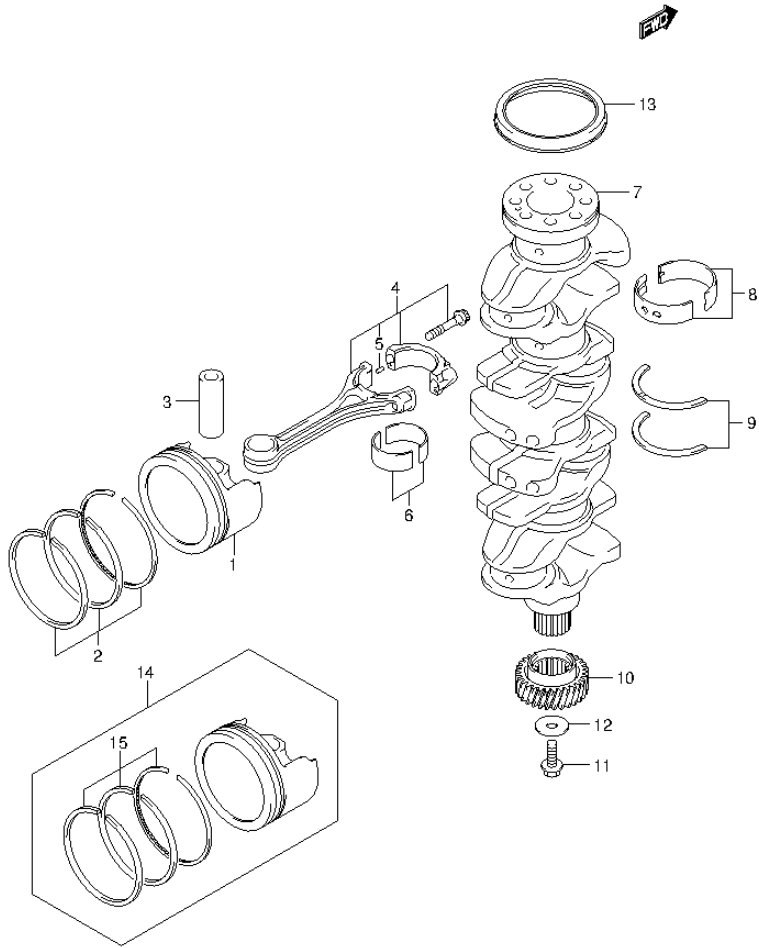


FIG.11

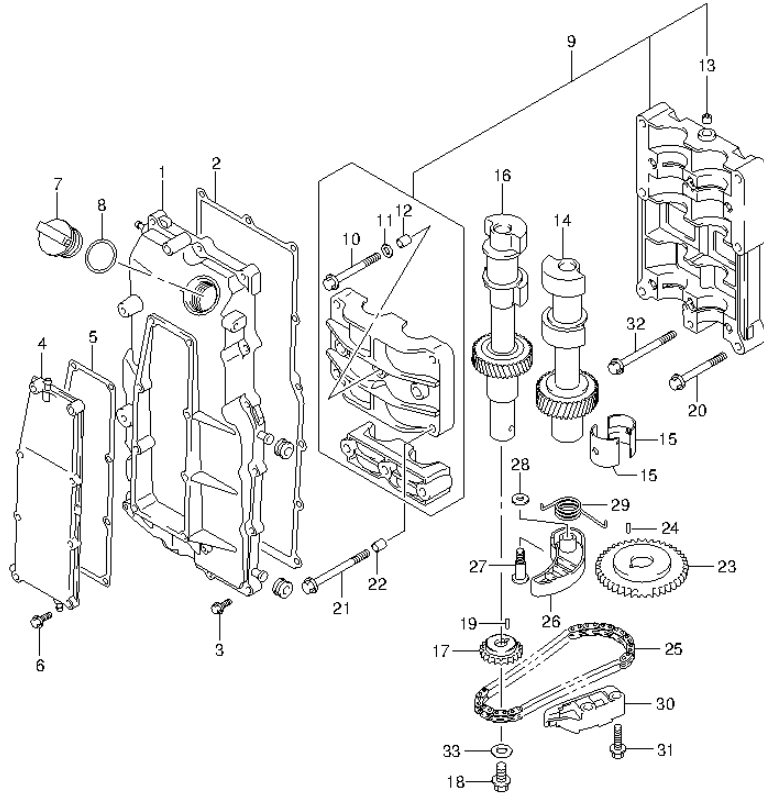


FIG.11 (1-B-13) BALANCER

REF NO.	PART NO.	DESCRIPTION	Q'TY	REMARKS
1	11330-96J10	COVER, BALANCER SHAFT	1	
2	11332-96J00	GASKET, BALANCER COVER	1	
3	01550-06257	BOLT	15	
4	11340-96J00	COVER, BALANCER WATER JACKET	1	
5	11342-96J00	GASKET, BAL WTR JACKET COVER	1	
6	01550-06257	BOLT	8	
7	11382-93J00	CAP, OIL FILLER	1	
8	09280-26006	O RING (D:3.1, ID:26.4)	1	
9	12600-96J01	HOUSING ASSY, BALANCER	1	
10	12643-96J00	.BOLT	6	
11	12644-96J00	.WASHER	6	
12	04211-11129	.PIN	4	
13	09246-05006	.PLUG	2	
14	12660-96J02	SHAFT ASSY, BALANCER PORT	1	
15	12645-96J00	BEARING, BALANCER	8	
16	12650-96J01	BALANCER, STBD	1	
17	12665-96J00	SPROCKET, BAL DRIVEN (NT:23)	1	
18	01550-1020A	BOLT	1	
19	04221-04089	PIN	1	
20	09103-08414	BOLT (8X53)	2	
21	09103-08423	BOLT (8X80)	4	
22	04211-11129	PIN	2	
23	12662-96J00	SPROCKET, BAL DRIVE (NT:46)	1	
24	09202-05032	PIN (5X12)	1	
25	12670-96J00	CHAIN, BALANCER	1	
26	12671-96J01	TENSIONER, BALANCER CHAIN	1	
27	12672-96J01	BOLT, BAL CHAIN TENSIONER	1	
28	09160-08079	WASHER (8X17X2)	1	
29	12673-96J00	SPRING, BAL CHAIN TENSIONER	1	
30	12695-96J00	GUIDE, BALANCER CHAIN	1	
31	01550-0825A	BOLT	2	
32	09103-08158	BOLT (8X75)	1	
33	09160-10039	WASHER (10.5X22X2.3)	1	

FIG.12

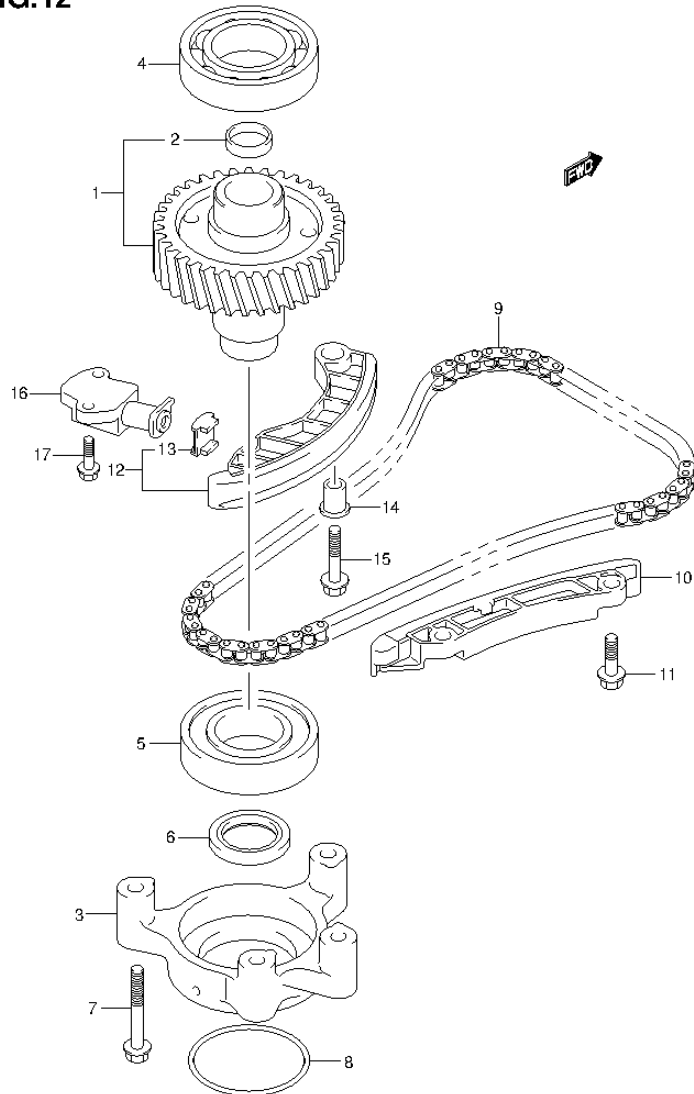


FIG.12 (1-B-14) TIMING CHAIN

REF NO.	PART NO.	DESCRIPTION	Q'TY	REMARKS
1	12730-96J00	GEAR, DRIVEN (NT:36)	1	
2	09241-25005	.PLUG (OD:25)	1	
3	12734-96J00	HOLDER, DRIVEN GEAR	1	
4	08110-62080	BEARING	1	
5	09262-40018	BEARING (40X80X18)	1	
6	09283-32044	OIL SEAL (32X47X6)	1	
7	09103-08339	BOLT (8X55)	4	
8	09280-70012	O RING (D:5.7, ID:69.6)	1	
9	12761-96J00	CHAIN, TIMING	1	
10	12772-96J00	GUIDE, TIMING CHAIN	1	
11	01550-0825A	BOLT	2	
12	12810-96J00	TENSIONER ASSY, TIMING CHAIN	1	
13	12813-73G00	.PAD, TIMING CHAIN TENSIONER	1	
14	12812-90J00	SPACER, TIMING CHAIN TENSIONER	1	
15	01550-0835A	BOLT	1	
16	12831-93J01	ADJUSTER ASSY, TENSIONER	1	
17	01550-0620A	BOLT	2	

FIG.13

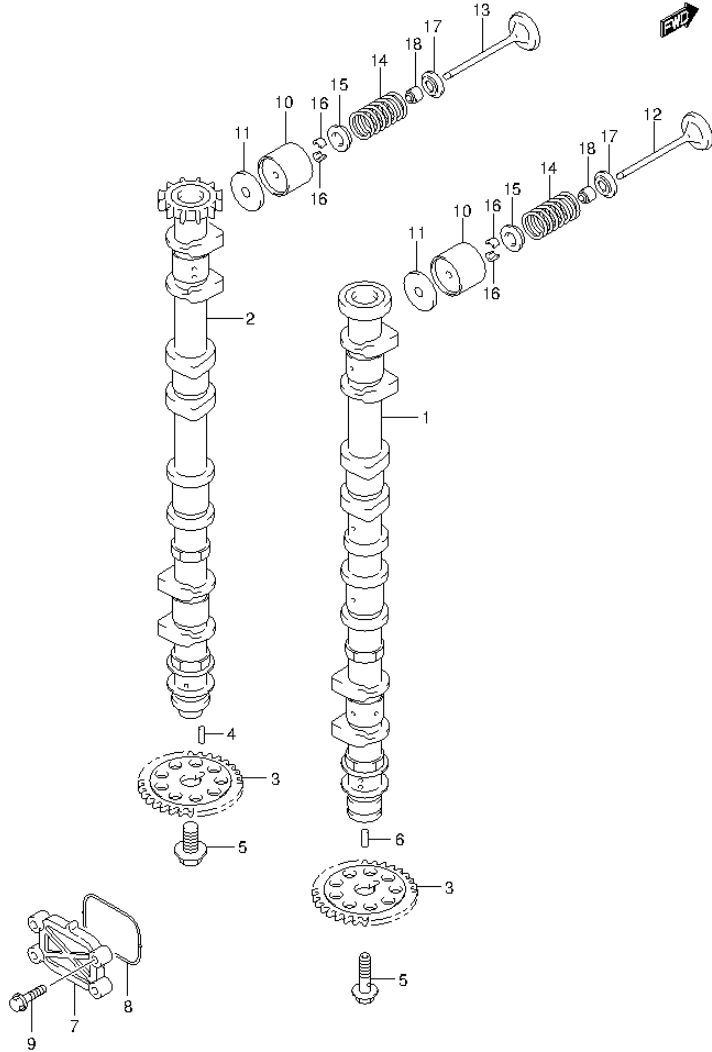


FIG.13 (1-B-15) CAMSHAFT (DF150T E1)

REF NO.	PART NO.	DESCRIPTION	Q'TY	REMARKS
1	12701-96J20	CAMSHAFT, INTAKE	1	
2	12705-96J20	CAMSHAFT, EXHAUST	1	
3	12748-96J00	SPROCKET, CAMSHAFT (NT:30)	2	
4	09202-05033	PIN (5X14.8)	1	
5	12749-93J00	BOLT, CAMSHAFT	2	
6	09202-05032	PIN (5X12)	1	
7	16551-93J00	PLATE, OIL CONTROL	1	
8	16559-93J00	GASKET, OCV PLATE	1	
9	01550-06257	BOLT	4	
10	12891-93J00	TAPPET	16	
11-1	12892-93J00-218	SHIM, TAPPET (2.175)	16	
11-2	12892-93J00-220	SHIM, TAPPET (2.200)	16	
11-3	12892-93J00-223	SHIM, TAPPET (2.225)	16	
11-4	12892-93J00-225	SHIM, TAPPET (2.250)	16	
11-5	12892-93J00-228	SHIM, TAPPET (2.275)	16	
11-6	12892-93J00-230	SHIM, TAPPET (2.300)	16	
11-7	12892-93J00-233	SHIM, TAPPET (2.325)	16	
11-8	12892-93J00-235	SHIM, TAPPET (2.350)	16	
11-9	12892-93J00-238	SHIM, TAPPET (2.375)	16	
11-10	12892-93J00-240	SHIM, TAPPET (2.400)	16	
11-11	12892-93J00-243	SHIM, TAPPET (2.425)	16	
11-12	12892-93J00-245	SHIM, TAPPET (2.450)	16	
11-13	12892-93J00-248	SHIM, TAPPET (2.475)	16	
11-14	12892-93J00-250	SHIM, TAPPET (2.500)	16	
11-15	12892-93J00-253	SHIM, TAPPET (2.525)	16	
11-16	12892-93J00-255	SHIM, TAPPET (2.550)	16	
11-17	12892-93J00-258	SHIM, TAPPET (2.575)	16	
11-18	12892-93J00-260	SHIM, TAPPET (2.600)	16	
11-19	12892-93J00-263	SHIM, TAPPET (2.625)	16	
11-20	12892-93J00-265	SHIM, TAPPET (2.650)	16	
11-21	12892-93J00-268	SHIM, TAPPET (2.675)	16	
11-22	12892-93J00-270	SHIM, TAPPET (2.700)	16	
11-23	12892-93J00-273	SHIM, TAPPET (2.725)	16	
11-24	12892-93J00-275	SHIM, TAPPET (2.750)	16	

FIG.13

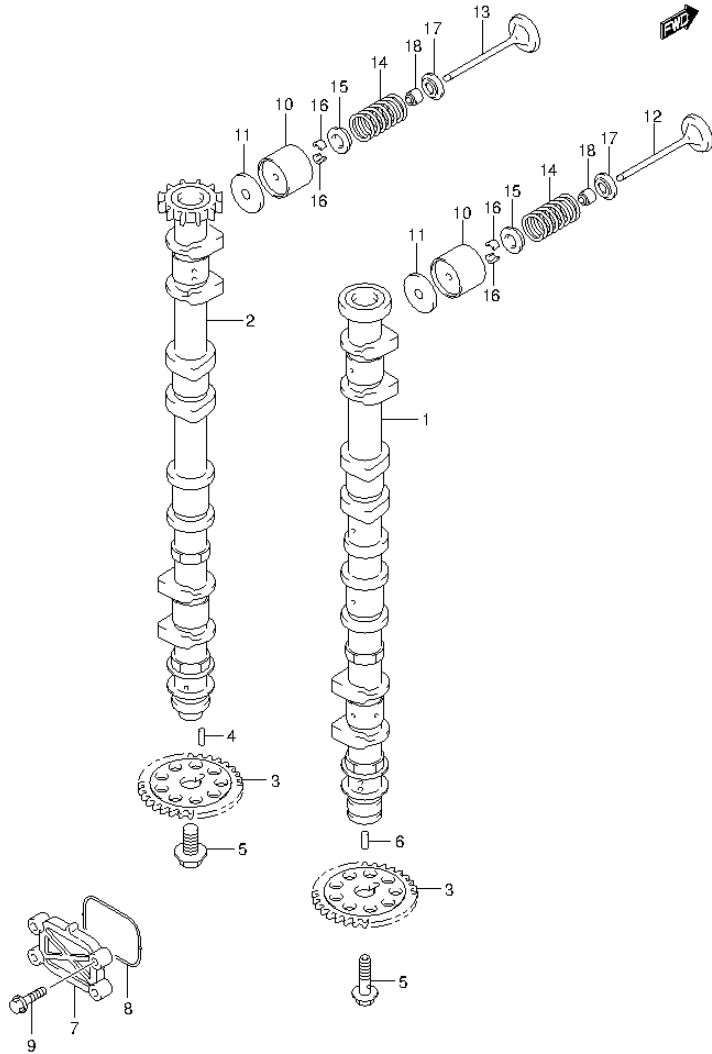


FIG.13 (1-C-2) CAMSHAFT (DF150T E1)

REF NO.	PART NO.	DESCRIPTION	Q'TY	REMARKS
11-25	12892-93J00-278	SHIM, TAPPET (2.775)	16	
11-26	12892-93J00-280	SHIM, TAPPET (2.800)	16	
11-27	12892-93J00-283	SHIM, TAPPET (2.825)	16	
11-28	12892-93J00-285	SHIM, TAPPET (2.850)	16	
11-29	12892-93J00-288	SHIM, TAPPET (2.875)	16	
11-30	12892-93J00-290	SHIM, TAPPET (2.900)	16	
11-31	12892-93J00-293	SHIM, TAPPET (2.925)	16	
11-32	12892-93J00-295	SHIM, TAPPET (2.950)	16	
11-33	12892-93J00-298	SHIM, TAPPET (2.975)	16	
11-34	12892-93J00-300	SHIM, TAPPET (3.000)	16	
12	12911-93J00	VALVE, INTAKE	8	
13	12915-93J00	VALVE, EXHAUST	8	
14	12921-93J10	SPRING, VALVE	16	
15	12931-78G00	RETAINER, VALVE SPRING	16	
16	12932-24400	COTTER, VALVE	32	
17	12933-69G10	SEAT, VALVE SPRING	16	
18	09289-05012	OIL SEAL (5.5X11.5X9.3)	16	

FIG.14

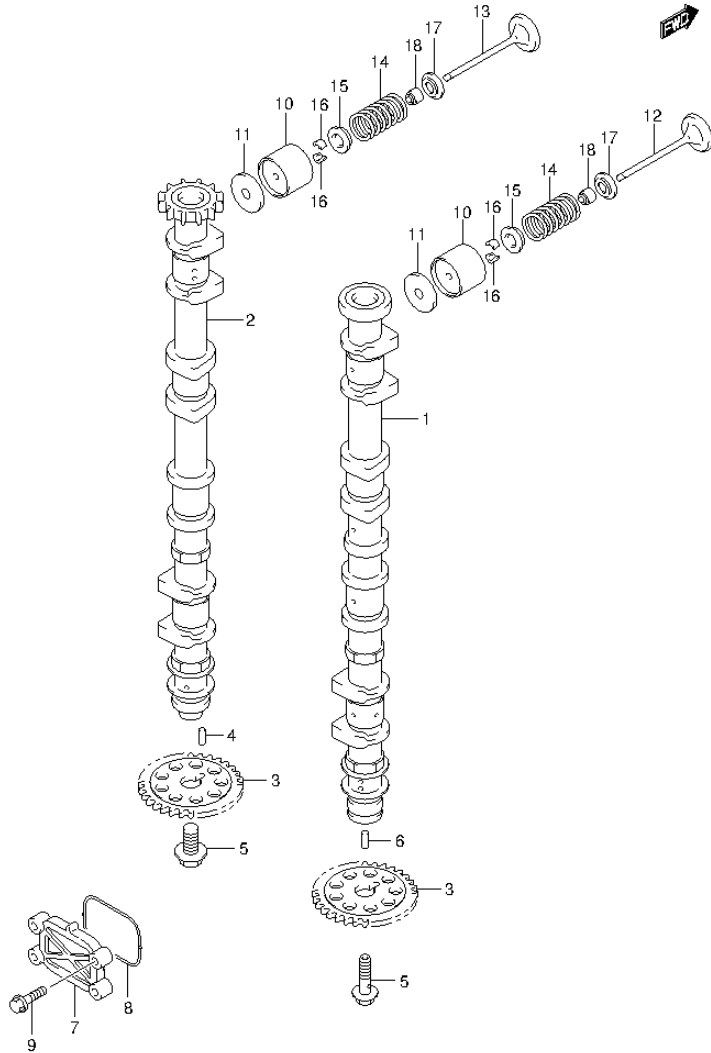


FIG.14 (1-C-3) CAMSHAFT (DF150T E40)

REF NO.	PART NO.	DESCRIPTION	Q'TY	REMARKS
1	12701-96J20	CAMSHAFT, INTAKE	1	
2	12705-96J20	CAMSHAFT, EXHAUST	1	
3	12748-96J00	SPROCKET, CAMSHAFT (NT:30)	2	
4	09202-05033	PIN (5X14.8)	1	
5	12749-93J00	BOLT, CAMSHAFT	2	
6	09202-05032	PIN (5X12)	1	
7	16551-93J00	PLATE, OIL CONTROL	1	
8	16559-93J00	GASKET, OCV PLATE	1	
9	01550-06257	BOLT	4	
10	12891-93J00	TAPPET	16	
11-1	12892-93J00-218	SHIM, TAPPET (2.175)	16	
11-2	12892-93J00-220	SHIM, TAPPET (2.200)	16	
11-3	12892-93J00-223	SHIM, TAPPET (2.225)	16	
11-4	12892-93J00-225	SHIM, TAPPET (2.250)	16	
11-5	12892-93J00-228	SHIM, TAPPET (2.275)	16	
11-6	12892-93J00-230	SHIM, TAPPET (2.300)	16	
11-7	12892-93J00-233	SHIM, TAPPET (2.325)	16	
11-8	12892-93J00-235	SHIM, TAPPET (2.350)	16	
11-9	12892-93J00-238	SHIM, TAPPET (2.375)	16	
11-10	12892-93J00-240	SHIM, TAPPET (2.400)	16	
11-11	12892-93J00-243	SHIM, TAPPET (2.425)	16	
11-12	12892-93J00-245	SHIM, TAPPET (2.450)	16	
11-13	12892-93J00-248	SHIM, TAPPET (2.475)	16	
11-14	12892-93J00-250	SHIM, TAPPET (2.500)	16	
11-15	12892-93J00-253	SHIM, TAPPET (2.525)	16	
11-16	12892-93J00-255	SHIM, TAPPET (2.550)	16	
11-17	12892-93J00-258	SHIM, TAPPET (2.575)	16	
11-18	12892-93J00-260	SHIM, TAPPET (2.600)	16	
11-19	12892-93J00-263	SHIM, TAPPET (2.625)	16	
11-20	12892-93J00-265	SHIM, TAPPET (2.650)	16	
11-21	12892-93J00-268	SHIM, TAPPET (2.675)	16	
11-22	12892-93J00-270	SHIM, TAPPET (2.700)	16	
11-23	12892-93J00-273	SHIM, TAPPET (2.725)	16	
11-24	12892-93J00-275	SHIM, TAPPET (2.750)	16	

FIG.14

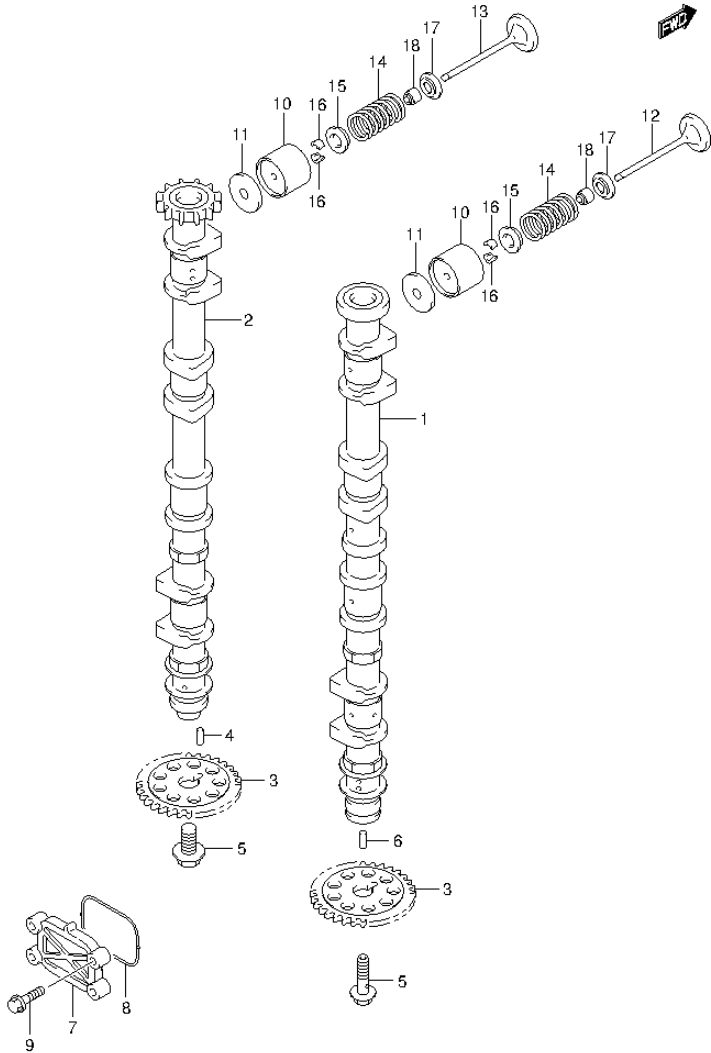


FIG.14 (1-C-4) CAMSHAFT (DF150T E40)

REF NO.	PART NO.	DESCRIPTION	Q'TY	REMARKS
11-25	12892-93J00-278	SHIM, TAPPET (2.775)	16	
11-26	12892-93J00-280	SHIM, TAPPET (2.800)	16	
11-27	12892-93J00-283	SHIM, TAPPET (2.825)	16	
11-28	12892-93J00-285	SHIM, TAPPET (2.850)	16	
11-29	12892-93J00-288	SHIM, TAPPET (2.875)	16	
11-30	12892-93J00-290	SHIM, TAPPET (2.900)	16	
11-31	12892-93J00-293	SHIM, TAPPET (2.925)	16	
11-32	12892-93J00-295	SHIM, TAPPET (2.950)	16	
11-33	12892-93J00-298	SHIM, TAPPET (2.975)	16	
11-34	12892-93J00-300	SHIM, TAPPET (3.000)	16	
12	12911-93J00	VALVE, INTAKE	8	
13	12915-93J50	VALVE, EXHAUST	8	
14	12921-93J10	SPRING, VALVE	16	
15	12931-78G00	RETAINER, VALVE SPRING	16	
16	12932-24400	COTTER, VALVE	32	
17	12933-69G10	SEAT, VALVE SPRING	16	
18	09289-05012	OIL SEAL (5.5X11.5X9.3)	16	

FIG.15

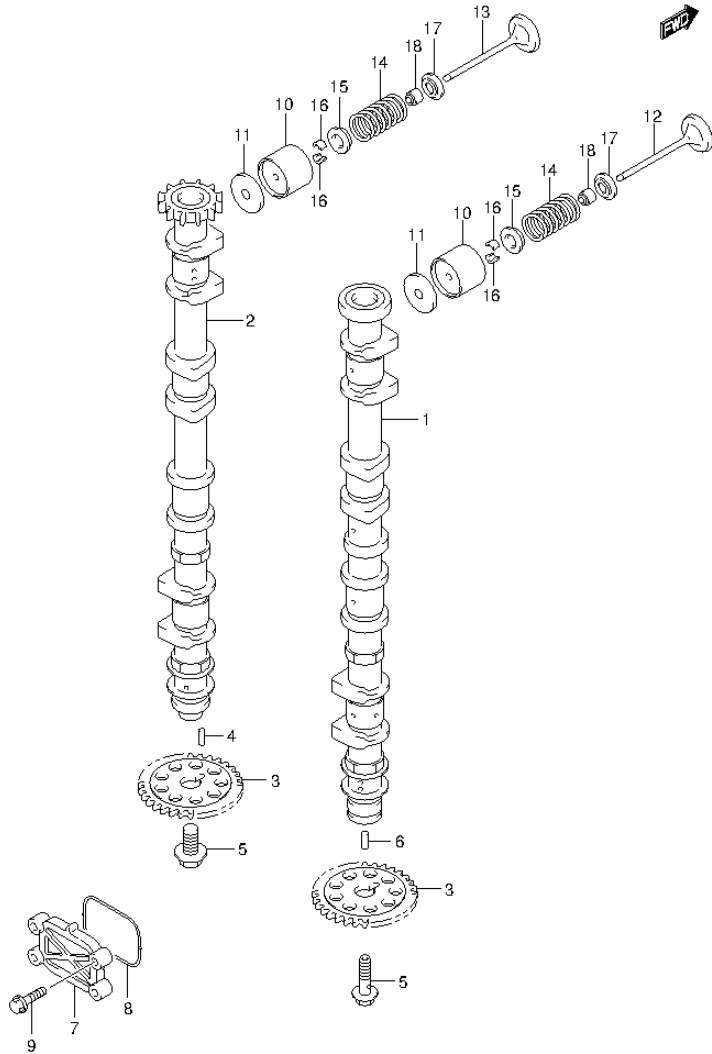


FIG.15 (1-C-5) CAMSHAFT (DF150Z E1)

REF NO.	PART NO.	DESCRIPTION	Q'TY	REMARKS
1	12701-96J20	CAMSHAFT, INTAKE	1	
2	12705-96J20	CAMSHAFT, EXHAUST	1	
3	12748-96J00	SPROCKET, CAMSHAFT (NT:30)	2	
4	09202-05033	PIN (5X14.8)	1	
5	12749-93J00	BOLT, CAMSHAFT	2	
6	09202-05032	PIN (5X12)	1	
7	16551-93J00	PLATE, OIL CONTROL	1	
8	16559-93J00	GASKET, OCV PLATE	1	
9	01550-06257	BOLT	4	
10	12891-93J00	TAPPET	16	
11-1	12892-93J00-218	SHIM, TAPPET (2.175)	16	
11-2	12892-93J00-220	SHIM, TAPPET (2.200)	16	
11-3	12892-93J00-223	SHIM, TAPPET (2.225)	16	
11-4	12892-93J00-225	SHIM, TAPPET (2.250)	16	
11-5	12892-93J00-228	SHIM, TAPPET (2.275)	16	
11-6	12892-93J00-230	SHIM, TAPPET (2.300)	16	
11-7	12892-93J00-233	SHIM, TAPPET (2.325)	16	
11-8	12892-93J00-235	SHIM, TAPPET (2.350)	16	
11-9	12892-93J00-238	SHIM, TAPPET (2.375)	16	
11-10	12892-93J00-240	SHIM, TAPPET (2.400)	16	
11-11	12892-93J00-243	SHIM, TAPPET (2.425)	16	
11-12	12892-93J00-245	SHIM, TAPPET (2.450)	16	
11-13	12892-93J00-248	SHIM, TAPPET (2.475)	16	
11-14	12892-93J00-250	SHIM, TAPPET (2.500)	16	
11-15	12892-93J00-253	SHIM, TAPPET (2.525)	16	
11-16	12892-93J00-255	SHIM, TAPPET (2.550)	16	
11-17	12892-93J00-258	SHIM, TAPPET (2.575)	16	
11-18	12892-93J00-260	SHIM, TAPPET (2.600)	16	
11-19	12892-93J00-263	SHIM, TAPPET (2.625)	16	
11-20	12892-93J00-265	SHIM, TAPPET (2.650)	16	
11-21	12892-93J00-268	SHIM, TAPPET (2.675)	16	
11-22	12892-93J00-270	SHIM, TAPPET (2.700)	16	
11-23	12892-93J00-273	SHIM, TAPPET (2.725)	16	
11-24	12892-93J00-275	SHIM, TAPPET (2.750)	16	



FIG.15

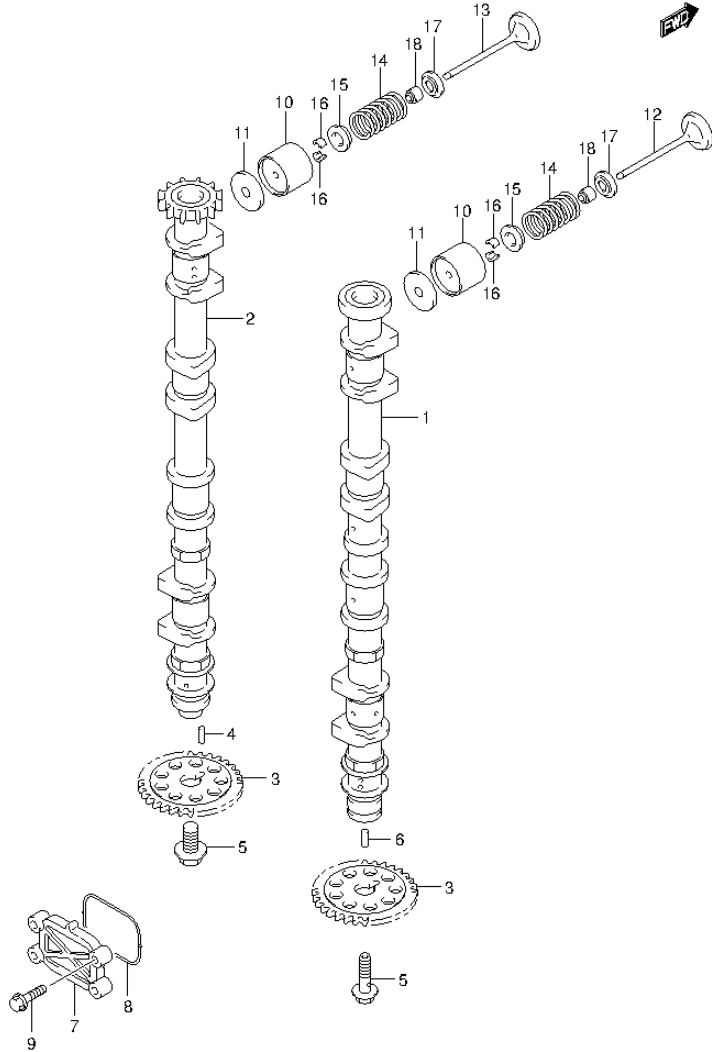


FIG.15 (1-C-6) CAMSHAFT (DF150Z E1)

REF NO.	PART NO.	DESCRIPTION	Q'TY	REMARKS
11-25	12892-93J00-278	SHIM, TAPPET (2.775)	16	
11-26	12892-93J00-280	SHIM, TAPPET (2.800)	16	
11-27	12892-93J00-283	SHIM, TAPPET (2.825)	16	
11-28	12892-93J00-285	SHIM, TAPPET (2.850)	16	
11-29	12892-93J00-288	SHIM, TAPPET (2.875)	16	
11-30	12892-93J00-290	SHIM, TAPPET (2.900)	16	
11-31	12892-93J00-293	SHIM, TAPPET (2.925)	16	
11-32	12892-93J00-295	SHIM, TAPPET (2.950)	16	
11-33	12892-93J00-298	SHIM, TAPPET (2.975)	16	
11-34	12892-93J00-300	SHIM, TAPPET (3.000)	16	
12	12911-93J00	VALVE, INTAKE	8	
13	12915-93J00	VALVE, EXHAUST	8	
14	12921-93J10	SPRING, VALVE	16	
15	12931-78G00	RETAINER, VALVE SPRING	16	
16	12932-24400	COTTER, VALVE	32	
17	12933-69G10	SEAT, VALVE SPRING	16	
18	09289-05012	OIL SEAL (5.5X11.5X9.3)	16	

FIG.16

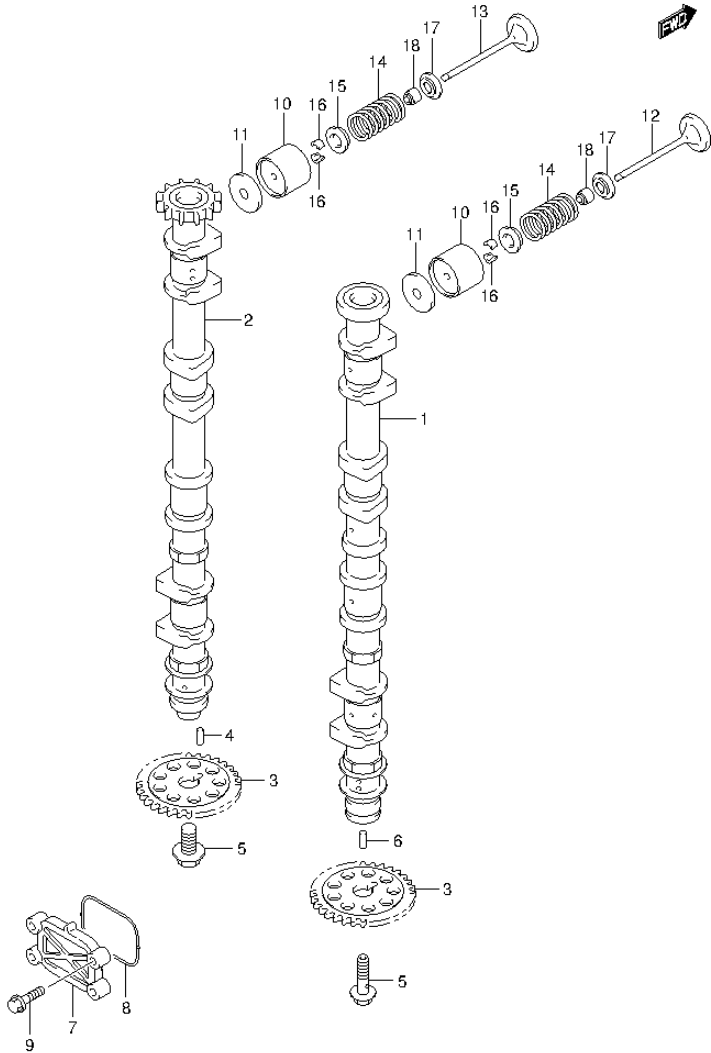


FIG.16 (1-C-7) CAMSHAFT (DF150Z E40)

REF NO.	PART NO.	DESCRIPTION	Q'TY	REMARKS
1	12701-96J20	CAMSHAFT, INTAKE	1	
2	12705-96J20	CAMSHAFT, EXHAUST	1	
3	12748-96J00	SPROCKET, CAMSHAFT (NT:30)	2	
4	09202-05033	PIN (5X14.8)	1	
5	12749-93J00	BOLT, CAMSHAFT	2	
6	09202-05032	PIN (5X12)	1	
7	16551-93J00	PLATE, OIL CONTROL	1	
8	16559-93J00	GASKET, OCV PLATE	1	
9	01550-06257	BOLT	4	
10	12891-93J00	TAPPET	16	
11-1	12892-93J00-218	SHIM, TAPPET (2.175)	16	
11-2	12892-93J00-220	SHIM, TAPPET (2.200)	16	
11-3	12892-93J00-223	SHIM, TAPPET (2.225)	16	
11-4	12892-93J00-225	SHIM, TAPPET (2.250)	16	
11-5	12892-93J00-228	SHIM, TAPPET (2.275)	16	
11-6	12892-93J00-230	SHIM, TAPPET (2.300)	16	
11-7	12892-93J00-233	SHIM, TAPPET (2.325)	16	
11-8	12892-93J00-235	SHIM, TAPPET (2.350)	16	
11-9	12892-93J00-238	SHIM, TAPPET (2.375)	16	
11-10	12892-93J00-240	SHIM, TAPPET (2.400)	16	
11-11	12892-93J00-243	SHIM, TAPPET (2.425)	16	
11-12	12892-93J00-245	SHIM, TAPPET (2.450)	16	
11-13	12892-93J00-248	SHIM, TAPPET (2.475)	16	
11-14	12892-93J00-250	SHIM, TAPPET (2.500)	16	
11-15	12892-93J00-253	SHIM, TAPPET (2.525)	16	
11-16	12892-93J00-255	SHIM, TAPPET (2.550)	16	
11-17	12892-93J00-258	SHIM, TAPPET (2.575)	16	
11-18	12892-93J00-260	SHIM, TAPPET (2.600)	16	
11-19	12892-93J00-263	SHIM, TAPPET (2.625)	16	
11-20	12892-93J00-265	SHIM, TAPPET (2.650)	16	
11-21	12892-93J00-268	SHIM, TAPPET (2.675)	16	
11-22	12892-93J00-270	SHIM, TAPPET (2.700)	16	
11-23	12892-93J00-273	SHIM, TAPPET (2.725)	16	
11-24	12892-93J00-275	SHIM, TAPPET (2.750)	16	

FIG.16

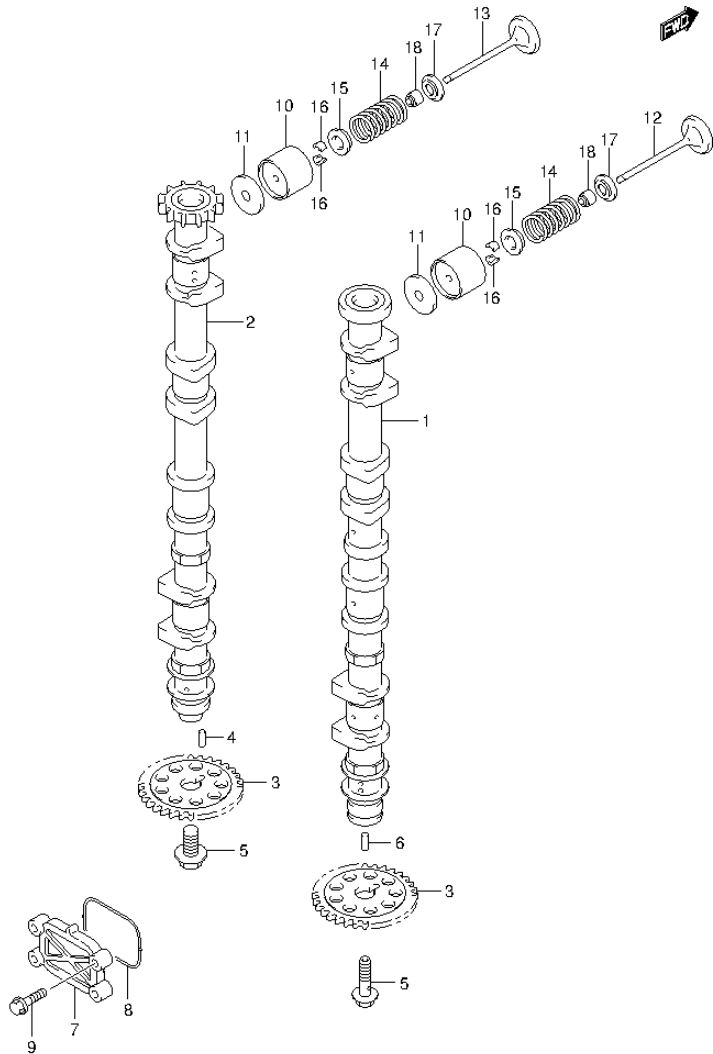


FIG.16 (1-C-8) CAMSHAFT (DF150Z E40)

REF NO.	PART NO.	DESCRIPTION	Q'TY	REMARKS
11-25	12892-93J00-278	SHIM, TAPPET (2.775)	16	
11-26	12892-93J00-280	SHIM, TAPPET (2.800)	16	
11-27	12892-93J00-283	SHIM, TAPPET (2.825)	16	
11-28	12892-93J00-285	SHIM, TAPPET (2.850)	16	
11-29	12892-93J00-288	SHIM, TAPPET (2.875)	16	
11-30	12892-93J00-290	SHIM, TAPPET (2.900)	16	
11-31	12892-93J00-293	SHIM, TAPPET (2.925)	16	
11-32	12892-93J00-295	SHIM, TAPPET (2.950)	16	
11-33	12892-93J00-298	SHIM, TAPPET (2.975)	16	
11-34	12892-93J00-300	SHIM, TAPPET (3.000)	16	
12	12911-93J00	VALVE, INTAKE	8	
13	12915-93J50	VALVE, EXHAUST	8	
14	12921-93J10	SPRING, VALVE	16	
15	12931-78G00	RETAINER, VALVE SPRING	16	
16	12932-24400	COTTER, VALVE	32	
17	12933-69G10	SEAT, VALVE SPRING	16	
18	09289-05012	OIL SEAL (5.5X11.5X9.3)	16	

FIG.17

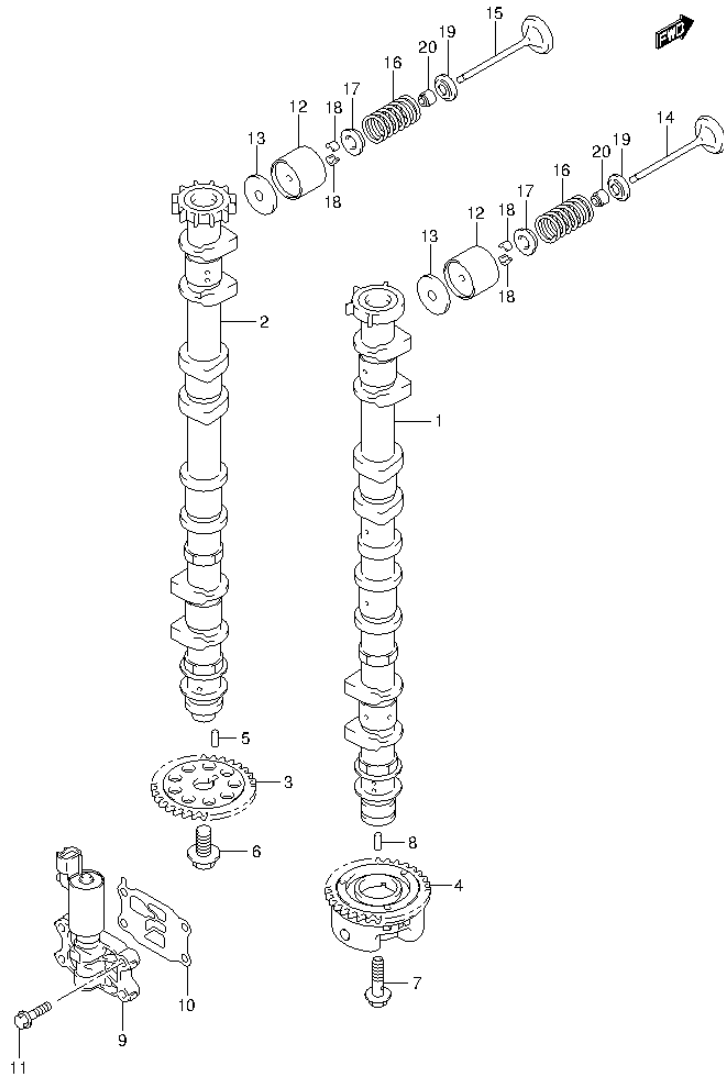


FIG.17 (1-C-9) CAMSHAFT (DF175T E1)

REF NO.	PART NO.	DESCRIPTION	Q'TY	REMARKS
1	12701-96J30	CAMSHAFT, INTAKE	1	
2	12705-96J30	CAMSHAFT, EXHAUST	1	
3	12748-96J00	SPROCKET, EXH CAMSHAFT (NT:30)	1	
4	12740-96J00	SPROCKET ASSY, CAM TIMING (NT:30)	1	
5	09202-05033	PIN (5X14.8)	1	
6	12749-93J00	BOLT, CAMSHAFT EXH	1	
7	12753-93J00	BOLT, INTAKE CAMSHAFT	1	
8	09202-05032	PIN (5X12)	1	
9	16550-93J00	VALVE, OIL CONTROL	1	
10	16555-93J00	GASKET, OCV	1	
11	01550-06257	BOLT	4	
12	12891-93J00	TAPPET	16	
13-1	12892-93J00-218	SHIM, TAPPET (2.175)	16	
13-2	12892-93J00-220	SHIM, TAPPET (2.200)	16	
13-3	12892-93J00-223	SHIM, TAPPET (2.225)	16	
13-4	12892-93J00-225	SHIM, TAPPET (2.250)	16	
13-5	12892-93J00-228	SHIM, TAPPET (2.275)	16	
13-6	12892-93J00-230	SHIM, TAPPET (2.300)	16	
13-7	12892-93J00-233	SHIM, TAPPET (2.325)	16	
13-8	12892-93J00-235	SHIM, TAPPET (2.350)	16	
13-9	12892-93J00-238	SHIM, TAPPET (2.375)	16	
13-10	12892-93J00-240	SHIM, TAPPET (2.400)	16	
13-11	12892-93J00-243	SHIM, TAPPET (2.425)	16	
13-12	12892-93J00-245	SHIM, TAPPET (2.450)	16	
13-13	12892-93J00-248	SHIM, TAPPET (2.475)	16	
13-14	12892-93J00-250	SHIM, TAPPET (2.500)	16	
13-15	12892-93J00-253	SHIM, TAPPET (2.525)	16	
13-16	12892-93J00-255	SHIM, TAPPET (2.550)	16	
13-17	12892-93J00-258	SHIM, TAPPET (2.575)	16	
13-18	12892-93J00-260	SHIM, TAPPET (2.600)	16	
13-19	12892-93J00-263	SHIM, TAPPET (2.625)	16	
13-20	12892-93J00-265	SHIM, TAPPET (2.650)	16	
13-21	12892-93J00-268	SHIM, TAPPET (2.675)	16	

FIG.17

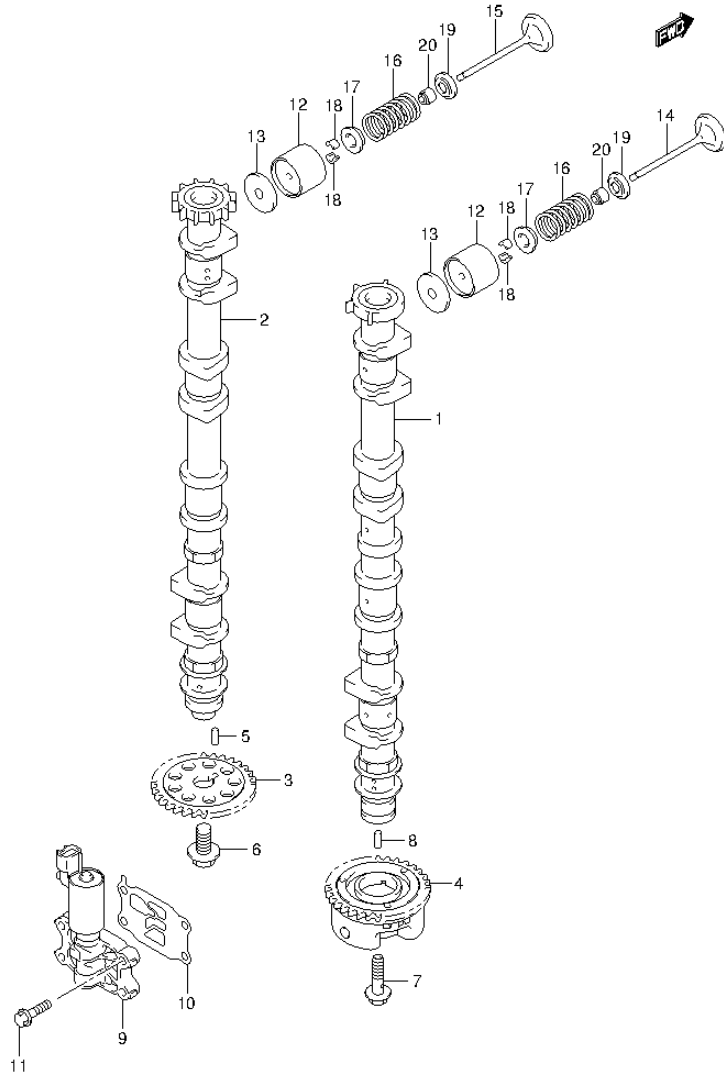


FIG.17 (1-C-10) CAMSHAFT (DF175T E1)

REF NO.	PART NO.	DESCRIPTION	Q'TY	REMARKS
13-22	12892-93J00-270	SHIM, TAPPET (2.700)	16	
13-23	12892-93J00-273	SHIM, TAPPET (2.725)	16	
13-24	12892-93J00-275	SHIM, TAPPET (2.750)	16	
13-25	12892-93J00-278	SHIM, TAPPET (2.775)	16	
13-26	12892-93J00-280	SHIM, TAPPET (2.800)	16	
13-27	12892-93J00-283	SHIM, TAPPET (2.825)	16	
13-28	12892-93J00-285	SHIM, TAPPET (2.850)	16	
13-29	12892-93J00-288	SHIM, TAPPET (2.875)	16	
13-30	12892-93J00-290	SHIM, TAPPET (2.900)	16	
13-31	12892-93J00-293	SHIM, TAPPET (2.925)	16	
13-32	12892-93J00-295	SHIM, TAPPET (2.950)	16	
13-33	12892-93J00-298	SHIM, TAPPET (2.975)	16	
13-34	12892-93J00-300	SHIM, TAPPET (3.000)	16	
14	12911-93J00	VALVE, INTAKE	8	
15	12915-93J00	VALVE, EXHAUST	8	
16	12921-93J10	SPRING, VALVE	16	
17	12931-78G00	RETAINER, VALVE SPRING	16	
18	12932-24400	COTTER, VALVE	32	
19	12933-69G10	SEAT, VALVE SPRING	16	
20	09289-05012	OIL SEAL (5.5X11.5X9.3)	16	

FIG.18

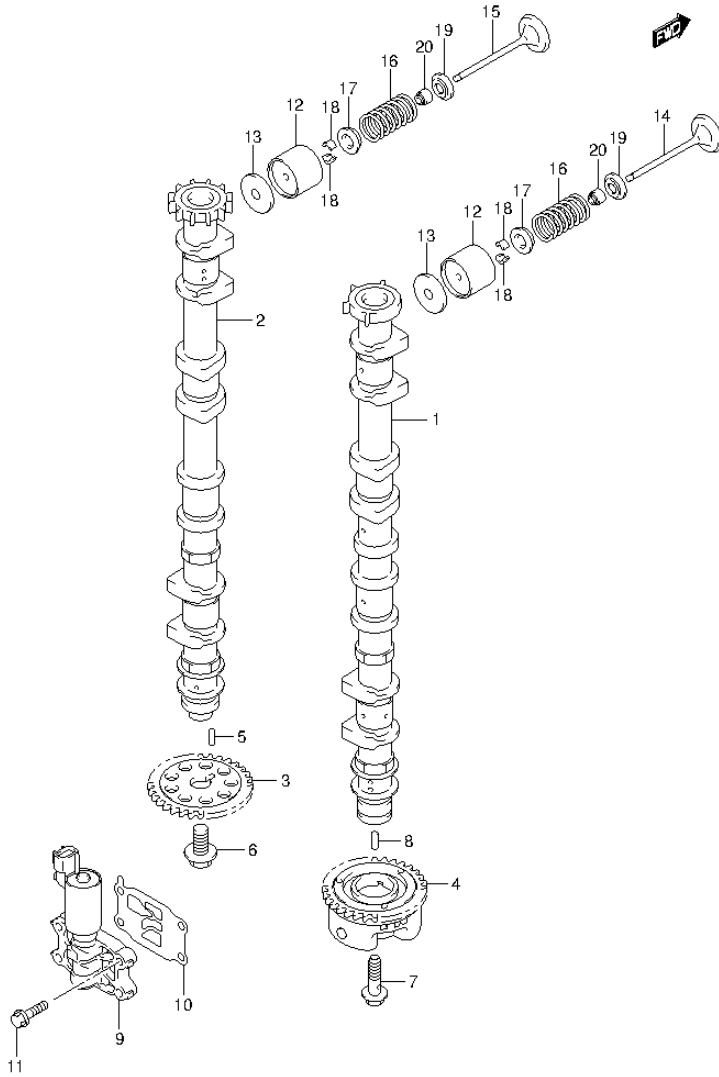


FIG.18 (1-C-11) CAMSHAFT (DF175T E40)

REF NO.	PART NO.	DESCRIPTION	Q'TY	REMARKS
1	12701-96J30	CAMSHAFT, INTAKE	1	
2	12705-96J30	CAMSHAFT, EXHAUST	1	
3	12748-96J00	SPROCKET, EXH CAMSHAFT (NT:30)	1	
4	12740-96J00	SPROCKET ASSY, CAM TIMING (NT:30)	1	
5	09202-05033	PIN (5X14.8)	1	
6	12749-93J00	BOLT, CAMSHAFT EXH	1	
7	12753-93J00	BOLT, INTAKE CAMSHAFT	1	
8	09202-05032	PIN (5X12)	1	
9	16550-93J00	VALVE, OIL CONTROL	1	
10	16555-93J00	GASKET, OCV	1	
11	01550-06257	BOLT	4	
12	12891-93J00	TAPPET	16	
13-1	12892-93J00-218	SHIM, TAPPET (2.175)	16	
13-2	12892-93J00-220	SHIM, TAPPET (2.200)	16	
13-3	12892-93J00-223	SHIM, TAPPET (2.225)	16	
13-4	12892-93J00-225	SHIM, TAPPET (2.250)	16	
13-5	12892-93J00-228	SHIM, TAPPET (2.275)	16	
13-6	12892-93J00-230	SHIM, TAPPET (2.300)	16	
13-7	12892-93J00-233	SHIM, TAPPET (2.325)	16	
13-8	12892-93J00-235	SHIM, TAPPET (2.350)	16	
13-9	12892-93J00-238	SHIM, TAPPET (2.375)	16	
13-10	12892-93J00-240	SHIM, TAPPET (2.400)	16	
13-11	12892-93J00-243	SHIM, TAPPET (2.425)	16	
13-12	12892-93J00-245	SHIM, TAPPET (2.450)	16	
13-13	12892-93J00-248	SHIM, TAPPET (2.475)	16	
13-14	12892-93J00-250	SHIM, TAPPET (2.500)	16	
13-15	12892-93J00-253	SHIM, TAPPET (2.525)	16	
13-16	12892-93J00-255	SHIM, TAPPET (2.550)	16	
13-17	12892-93J00-258	SHIM, TAPPET (2.575)	16	
13-18	12892-93J00-260	SHIM, TAPPET (2.600)	16	
13-19	12892-93J00-263	SHIM, TAPPET (2.625)	16	
13-20	12892-93J00-265	SHIM, TAPPET (2.650)	16	
13-21	12892-93J00-268	SHIM, TAPPET (2.675)	16	

FIG.18

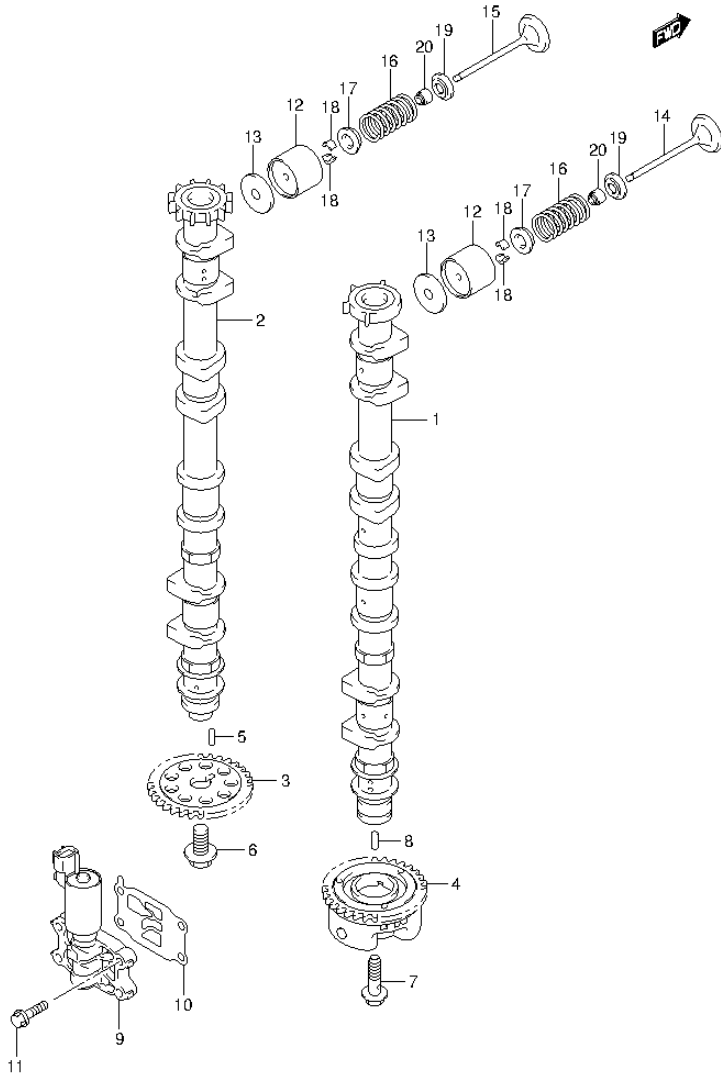


FIG.18 (1-C-12) CAMSHAFT (DF175T E40)

REF NO.	PART NO.	DESCRIPTION	Q'TY	REMARKS
13-22	12892-93J00-270	SHIM, TAPPET (2.700)	16	
13-23	12892-93J00-273	SHIM, TAPPET (2.725)	16	
13-24	12892-93J00-275	SHIM, TAPPET (2.750)	16	
13-25	12892-93J00-278	SHIM, TAPPET (2.775)	16	
13-26	12892-93J00-280	SHIM, TAPPET (2.800)	16	
13-27	12892-93J00-283	SHIM, TAPPET (2.825)	16	
13-28	12892-93J00-285	SHIM, TAPPET (2.850)	16	
13-29	12892-93J00-288	SHIM, TAPPET (2.875)	16	
13-30	12892-93J00-290	SHIM, TAPPET (2.900)	16	
13-31	12892-93J00-293	SHIM, TAPPET (2.925)	16	
13-32	12892-93J00-295	SHIM, TAPPET (2.950)	16	
13-33	12892-93J00-298	SHIM, TAPPET (2.975)	16	
13-34	12892-93J00-300	SHIM, TAPPET (3.000)	16	
14	12911-93J00	VALVE, INTAKE	8	
15	12915-93J50	VALVE, EXHAUST	8	
16	12921-93J10	SPRING, VALVE	16	
17	12931-78G00	RETAINER, VALVE SPRING	16	
18	12932-24400	COTTER, VALVE	32	
19	12933-69G10	SEAT, VALVE SPRING	16	
20	09289-05012	OIL SEAL (5.5X11.5X9.3)	16	

FIG.19

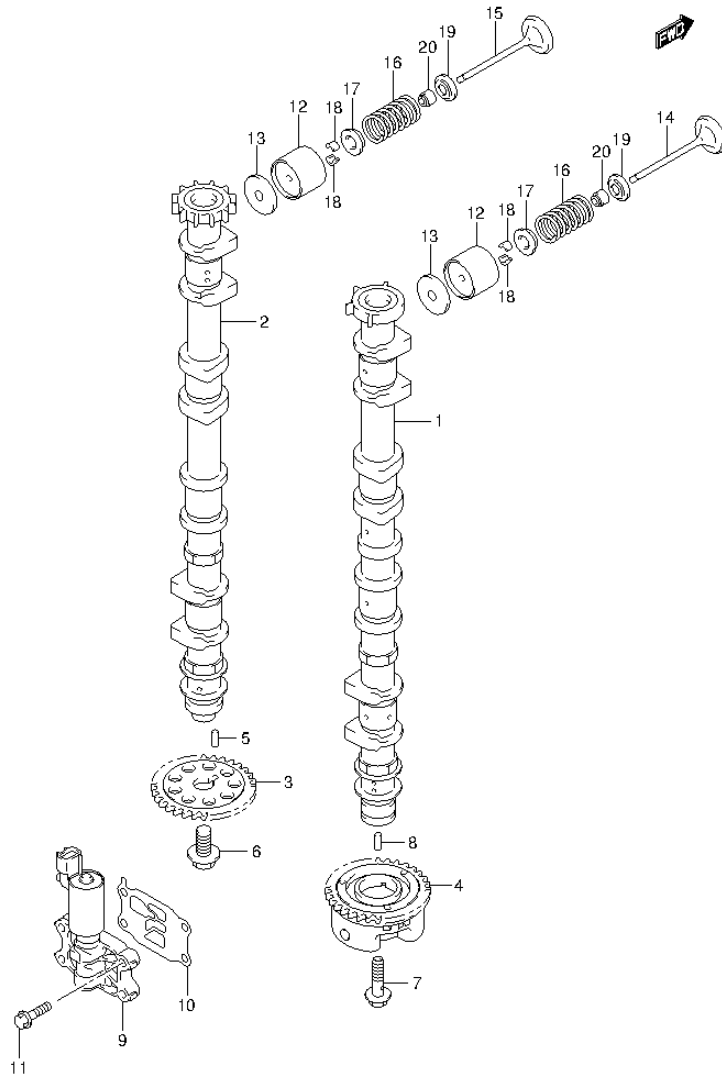


FIG.19 (1-C-13) CAMSHAFT (DF175Z E1)

REF NO.	PART NO.	DESCRIPTION	Q'TY	REMARKS
1	12701-96J30	CAMSHAFT, INTAKE	1	
2	12705-96J30	CAMSHAFT, EXHAUST	1	
3	12748-96J00	SPROCKET, EXH CAMSHAFT (NT:30)	1	
4	12740-96J00	SPROCKET ASSY, CAM TIMING (NT:30)	1	
5	09202-05033	PIN (5X14.8)	1	
6	12749-93J00	BOLT, CAMSHAFT EXH	1	
7	12753-93J00	BOLT, INTAKE CAMSHAFT	1	
8	09202-05032	PIN (5X12)	1	
9	16550-93J00	VALVE, OIL CONTROL	1	
10	16555-93J00	GASKET, OCV	1	
11	01550-06257	BOLT	4	
12	12891-93J00	TAPPET	16	
13-1	12892-93J00-218	SHIM, TAPPET (2.175)	16	
13-2	12892-93J00-220	SHIM, TAPPET (2.200)	16	
13-3	12892-93J00-223	SHIM, TAPPET (2.225)	16	
13-4	12892-93J00-225	SHIM, TAPPET (2.250)	16	
13-5	12892-93J00-228	SHIM, TAPPET (2.275)	16	
13-6	12892-93J00-230	SHIM, TAPPET (2.300)	16	
13-7	12892-93J00-233	SHIM, TAPPET (2.325)	16	
13-8	12892-93J00-235	SHIM, TAPPET (2.350)	16	
13-9	12892-93J00-238	SHIM, TAPPET (2.375)	16	
13-10	12892-93J00-240	SHIM, TAPPET (2.400)	16	
13-11	12892-93J00-243	SHIM, TAPPET (2.425)	16	
13-12	12892-93J00-245	SHIM, TAPPET (2.450)	16	
13-13	12892-93J00-248	SHIM, TAPPET (2.475)	16	
13-14	12892-93J00-250	SHIM, TAPPET (2.500)	16	
13-15	12892-93J00-253	SHIM, TAPPET (2.525)	16	
13-16	12892-93J00-255	SHIM, TAPPET (2.550)	16	
13-17	12892-93J00-258	SHIM, TAPPET (2.575)	16	
13-18	12892-93J00-260	SHIM, TAPPET (2.600)	16	
13-19	12892-93J00-263	SHIM, TAPPET (2.625)	16	
13-20	12892-93J00-265	SHIM, TAPPET (2.650)	16	
13-21	12892-93J00-268	SHIM, TAPPET (2.675)	16	



FIG.19

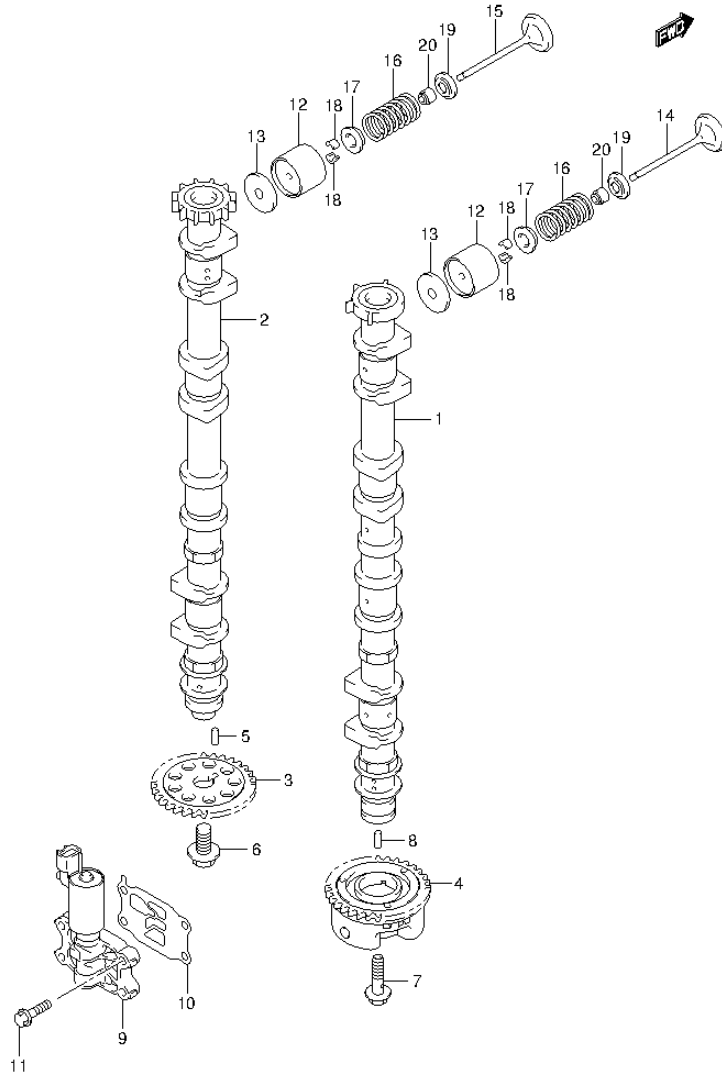


FIG.19 (1-C-14) CAMSHAFT (DF175Z E1)

REF NO.	PART NO.	DESCRIPTION	Q'TY	REMARKS
13-22	12892-93J00-270	SHIM, TAPPET (2.700)	16	
13-23	12892-93J00-273	SHIM, TAPPET (2.725)	16	
13-24	12892-93J00-275	SHIM, TAPPET (2.750)	16	
13-25	12892-93J00-278	SHIM, TAPPET (2.775)	16	
13-26	12892-93J00-280	SHIM, TAPPET (2.800)	16	
13-27	12892-93J00-283	SHIM, TAPPET (2.825)	16	
13-28	12892-93J00-285	SHIM, TAPPET (2.850)	16	
13-29	12892-93J00-288	SHIM, TAPPET (2.875)	16	
13-30	12892-93J00-290	SHIM, TAPPET (2.900)	16	
13-31	12892-93J00-293	SHIM, TAPPET (2.925)	16	
13-32	12892-93J00-295	SHIM, TAPPET (2.950)	16	
13-33	12892-93J00-298	SHIM, TAPPET (2.975)	16	
13-34	12892-93J00-300	SHIM, TAPPET (3.000)	16	
14	12911-93J00	VALVE, INTAKE	8	
15	12915-93J00	VALVE, EXHAUST	8	
16	12921-93J10	SPRING, VALVE	16	
17	12931-78G00	RETAINER, VALVE SPRING	16	
18	12932-24400	COTTER, VALVE	32	
19	12933-69G10	SEAT, VALVE SPRING	16	
20	09289-05012	OIL SEAL (5.5X11.5X9.3)	16	

FIG.20

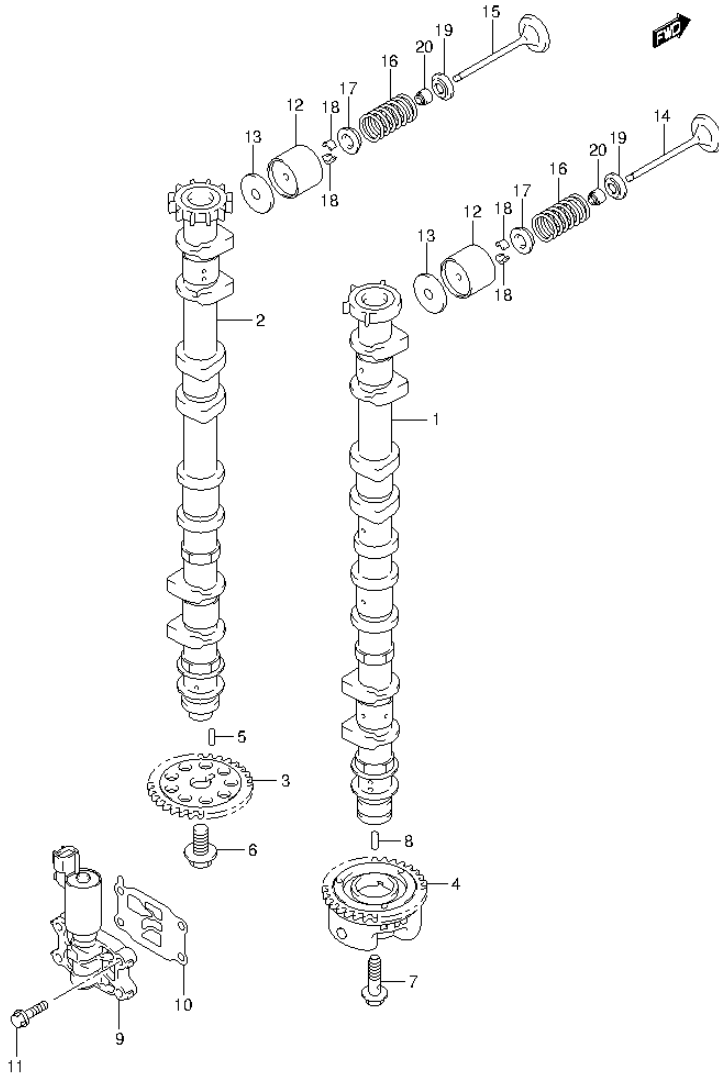


FIG.20 (1-C-15) CAMSHAFT (DF175Z E40)

REF NO.	PART NO.	DESCRIPTION	Q'TY	REMARKS
1	12701-96J30	CAMSHAFT, INTAKE	1	
2	12705-96J30	CAMSHAFT, EXHAUST	1	
3	12748-96J00	SPROCKET, EXH CAMSHAFT (NT:30)	1	
4	12740-96J00	SPROCKET ASSY, CAM TIMING (NT:30)	1	
5	09202-05033	PIN (5X14.8)	1	
6	12749-93J00	BOLT, CAMSHAFT EXH	1	
7	12753-93J00	BOLT, INTAKE CAMSHAFT	1	
8	09202-05032	PIN (5X12)	1	
9	16550-93J00	VALVE, OIL CONTROL	1	
10	16555-93J00	GASKET, OCV	1	
11	01550-06257	BOLT	4	
12	12891-93J00	TAPPET	16	
13-1	12892-93J00-218	SHIM, TAPPET (2.175)	16	
13-2	12892-93J00-220	SHIM, TAPPET (2.200)	16	
13-3	12892-93J00-223	SHIM, TAPPET (2.225)	16	
13-4	12892-93J00-225	SHIM, TAPPET (2.250)	16	
13-5	12892-93J00-228	SHIM, TAPPET (2.275)	16	
13-6	12892-93J00-230	SHIM, TAPPET (2.300)	16	
13-7	12892-93J00-233	SHIM, TAPPET (2.325)	16	
13-8	12892-93J00-235	SHIM, TAPPET (2.350)	16	
13-9	12892-93J00-238	SHIM, TAPPET (2.375)	16	
13-10	12892-93J00-240	SHIM, TAPPET (2.400)	16	
13-11	12892-93J00-243	SHIM, TAPPET (2.425)	16	
13-12	12892-93J00-245	SHIM, TAPPET (2.450)	16	
13-13	12892-93J00-248	SHIM, TAPPET (2.475)	16	
13-14	12892-93J00-250	SHIM, TAPPET (2.500)	16	
13-15	12892-93J00-253	SHIM, TAPPET (2.525)	16	
13-16	12892-93J00-255	SHIM, TAPPET (2.550)	16	
13-17	12892-93J00-258	SHIM, TAPPET (2.575)	16	
13-18	12892-93J00-260	SHIM, TAPPET (2.600)	16	
13-19	12892-93J00-263	SHIM, TAPPET (2.625)	16	
13-20	12892-93J00-265	SHIM, TAPPET (2.650)	16	
13-21	12892-93J00-268	SHIM, TAPPET (2.675)	16	

FIG.20

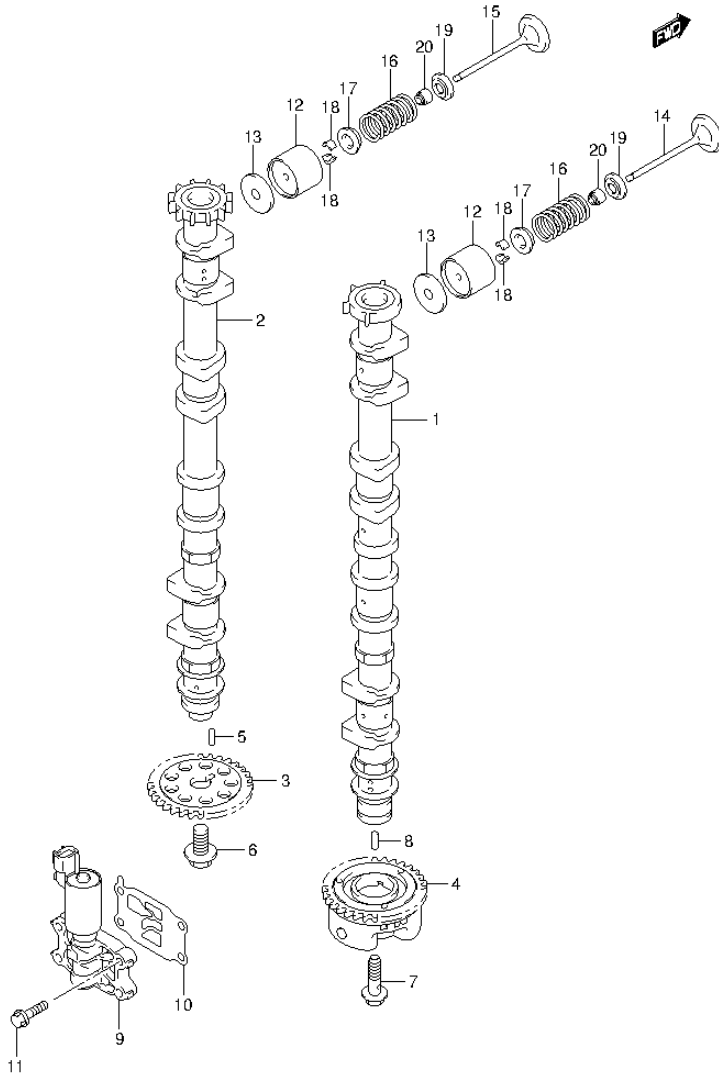


FIG.20 (1-D-2) CAMSHAFT (DF175Z E40)

REF NO.	PART NO.	DESCRIPTION	Q'TY	REMARKS
13-22	12892-93J00-270	SHIM, TAPPET (2.700)	16	
13-23	12892-93J00-273	SHIM, TAPPET (2.725)	16	
13-24	12892-93J00-275	SHIM, TAPPET (2.750)	16	
13-25	12892-93J00-278	SHIM, TAPPET (2.775)	16	
13-26	12892-93J00-280	SHIM, TAPPET (2.800)	16	
13-27	12892-93J00-283	SHIM, TAPPET (2.825)	16	
13-28	12892-93J00-285	SHIM, TAPPET (2.850)	16	
13-29	12892-93J00-288	SHIM, TAPPET (2.875)	16	
13-30	12892-93J00-290	SHIM, TAPPET (2.900)	16	
13-31	12892-93J00-293	SHIM, TAPPET (2.925)	16	
13-32	12892-93J00-295	SHIM, TAPPET (2.950)	16	
13-33	12892-93J00-298	SHIM, TAPPET (2.975)	16	
13-34	12892-93J00-300	SHIM, TAPPET (3.000)	16	
14	12911-93J00	VALVE, INTAKE	8	
15	12915-93J50	VALVE, EXHAUST	8	
16	12921-93J10	SPRING, VALVE	16	
17	12931-78G00	RETAINER, VALVE SPRING	16	
18	12932-24400	COTTER, VALVE	32	
19	12933-69G10	SEAT, VALVE SPRING	16	
20	09289-05012	OIL SEAL (5.5X11.5X9.3)	16	

FIG.21

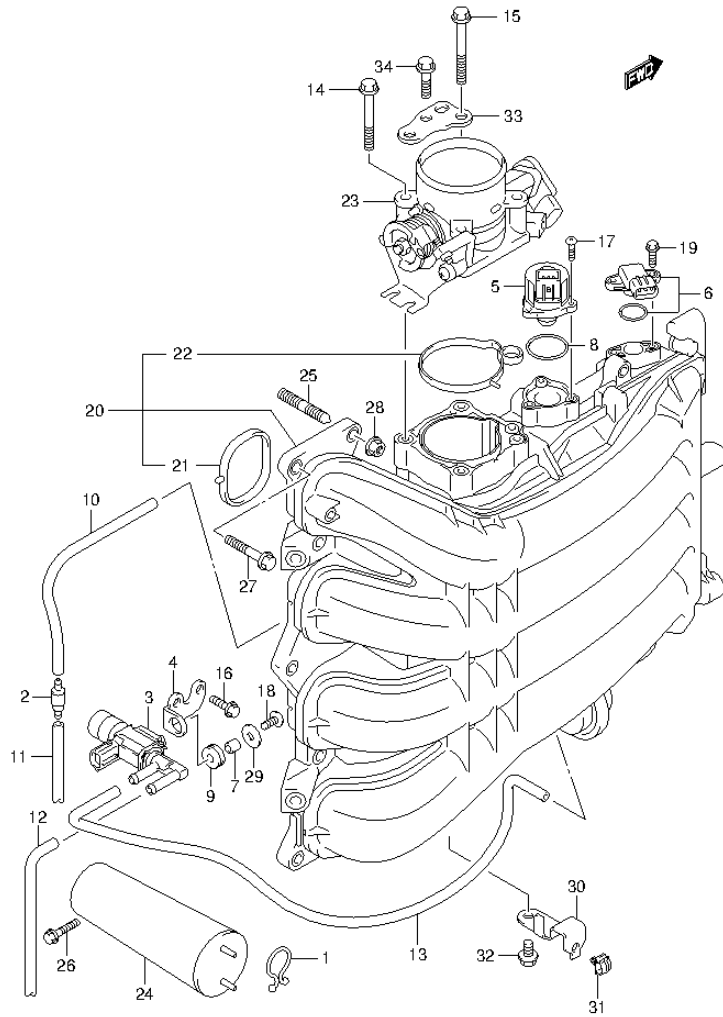
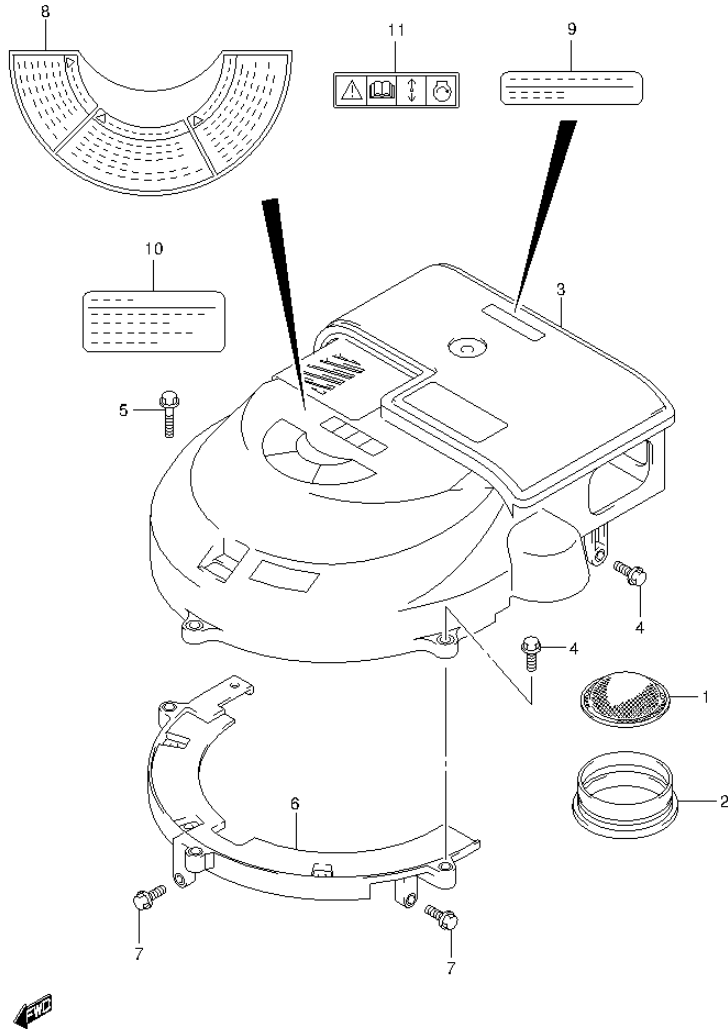


FIG.21 (1-D-3) INTAKE MANIFOLD / THROTTLE BODY

REF NO.	PART NO.	DESCRIPTION	Q'TY	REMARKS
1	09408-00008	CLIP (ID:20)	1	
2	13162-93J00	VALVE, CHECK	1	
3	18117-93J00	VALVE, VACUUM SWITCHING	1	
4	18119-96J00	BRACKET, VACUUM SW VALVE	1	
5	18137-93J00	VALVE, IAC	1	
6	18590-68H00	SENSOR, MAP	1	
7	09180-05047	SPACER (5.5X8X7.5)	1	
8	09280-29006	O RING (D:2.ID:29.5)	1	
9	09320-07015	CUSHION	1	
10	09355-35754-601	HOSE (3.5X7.5X601)	1	L:601->250
11	09355-35754-601	HOSE (3.5X7.5X601)	1	L:601->250
12	09355-35754-601	HOSE (3.5X7.5X601)	1	L:601->470
13	09355-35754-601	HOSE (3.5X7.5X601)	1	L:601->600
14	01550-08557	BOLT	3	
15	01550-08607	BOLT	1	
16	01550-06167	BOLT	2	
17	02112-34167	SCREW	3	
18	02112-05127	SCREW	1	
19	02162-05207	SCREW	2	
20	13110-96J00	MANIFOLD, INTAKE	1	
21	13119-96J00	.GASKET, INTAKE MANIFOLD	4	
22	13125-96J00	.GASKET, THROTTLE BODY	1	
23	13300-96J00	BODY ASSY, THROTTLE	1	
24	13730-96J01	CHAMBER, VACUUM	1	
25	01421-08257	STUD BOLT	2	
26	01550-06257	BOLT	2	
27	01550-08307	BOLT	8	
28	08316-10087	NUT	2	
29	09160-05045	WASHER (5.5X18X1)	1	
30	63615-96J00	BRACKET, THROTTLE CABLE CLAMP	1	
31	09403-05312	CLAMP	1	
32	01550-06127	BOLT	1	
33	13315-96J00	BRACKET, THROTTLE BODY	1	
34	01550-08207	BOLT	3	

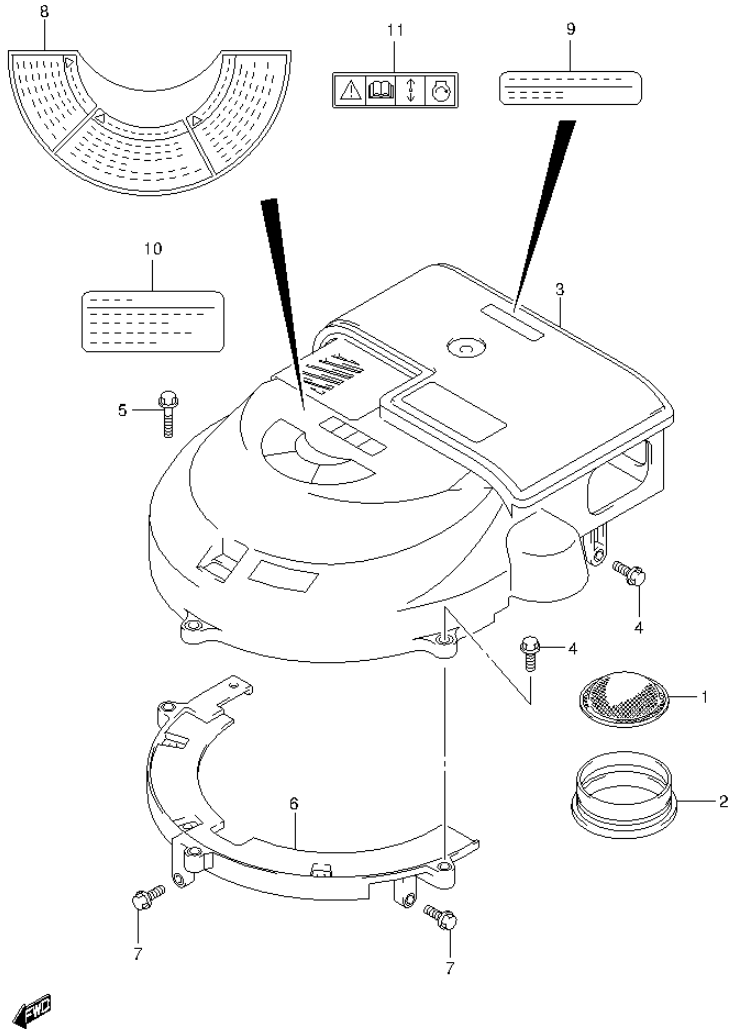
**FIG.22**



**FIG.22 (1-D-4) SILENCER / RING GEAR COVER (DF150T E1)**

REF NO.	PART NO.	DESCRIPTION	Q'TY	REMARKS
1	13710-96J00	ARRESTER, FLAME	1	
2	13813-96J00	HOLDER, ARRESTER	1	
3	13810-96J00	SILENCER	1	
4	01550-06207	BOLT	3	
5	01550-06307	BOLT	1	
6	11510-96J03	COVER, RING GEAR UNDER	1	
7	01550-06207	BOLT	2	
8	61472-93E40	LABEL, MAG COVER	1	
9	61493-96J00	LABEL, CLEARANCE	1	
10	61494-96J00	LABEL, OIL	1	
11	69711-93E10	LABEL, (S. I. G. P.)	1	

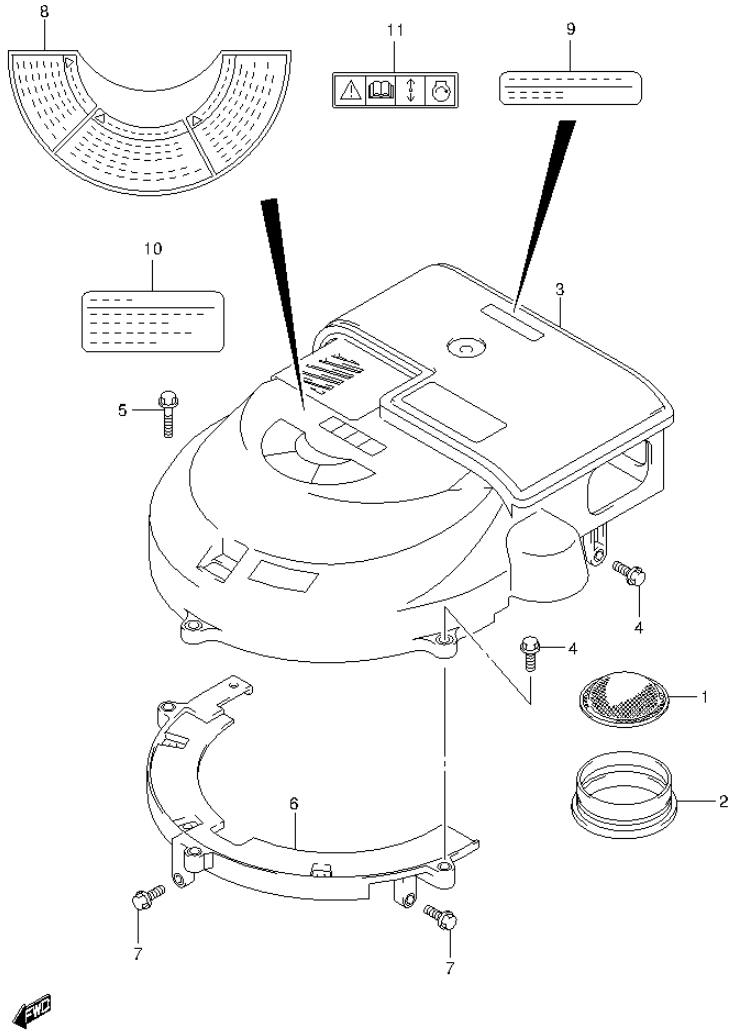
**FIG.23**



**FIG.23 (1-D-5) SILENCER / RING GEAR COVER (DF150T E40)**

REF NO.	PART NO.	DESCRIPTION	Q'TY	REMARKS
1	13710-96J00	ARRESTER, FLAME	1	
2	13813-96J00	HOLDER, ARRESTER	1	
3	13810-96J00	SILENCER	1	
4	01550-06207	BOLT	3	
5	01550-06307	BOLT	1	
6	11510-96J03	COVER, RING GEAR UNDER	1	
7	01550-06207	BOLT	2	
8	61472-93E32	LABEL, MAG COVER	1	
9	61493-96J00	LABEL, CLEARANCE	1	
10	61494-96J00	LABEL, OIL	1	
11	69711-93E10	LABEL, (S. I. G. P.)	1	

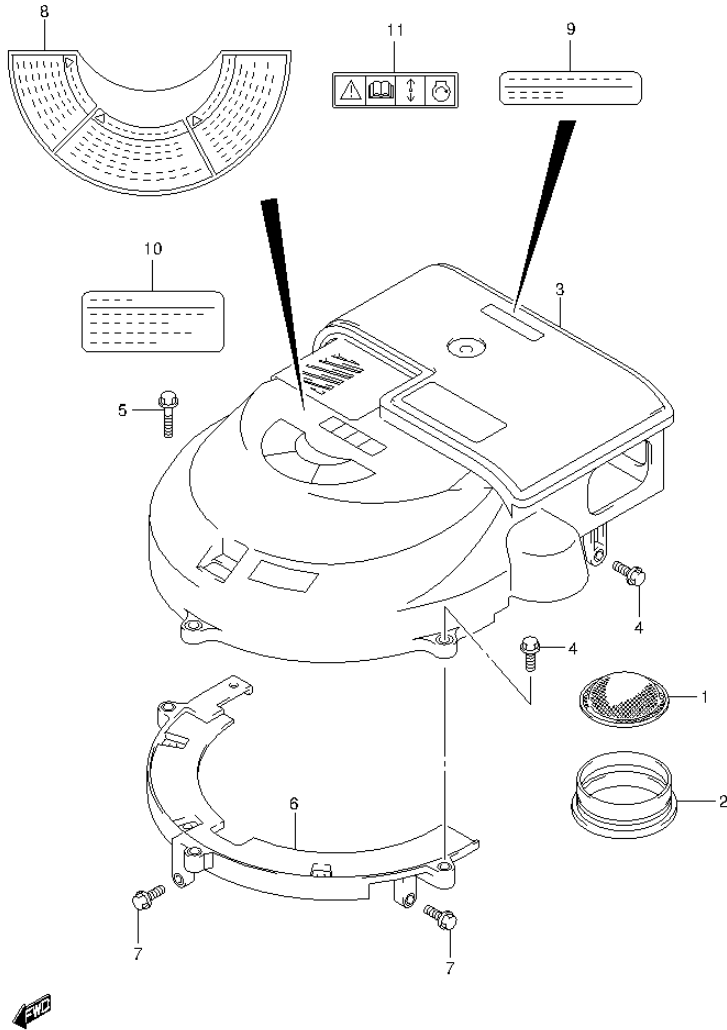
**FIG.24**



**FIG.24 (1-D-6) SILENCER / RING GEAR COVER (DF150Z E1)**

REF NO.	PART NO.	DESCRIPTION	Q'TY	REMARKS
1	13710-96J00	ARRESTER, FLAME	1	
2	13813-96J00	HOLDER, ARRESTER	1	
3	13810-96J00	SILENCER	1	
4	01550-06207	BOLT	3	
5	01550-06307	BOLT	1	
6	11510-96J03	COVER, RING GEAR UNDER	1	
7	01550-06207	BOLT	2	
8	61472-93E40	LABEL, MAG COVER	1	
9	61493-96J00	LABEL, CLEARANCE	1	
10	61494-96J00	LABEL, OIL	1	
11	69711-93E10	LABEL, (S. I. G. P.)	1	

**FIG.25**

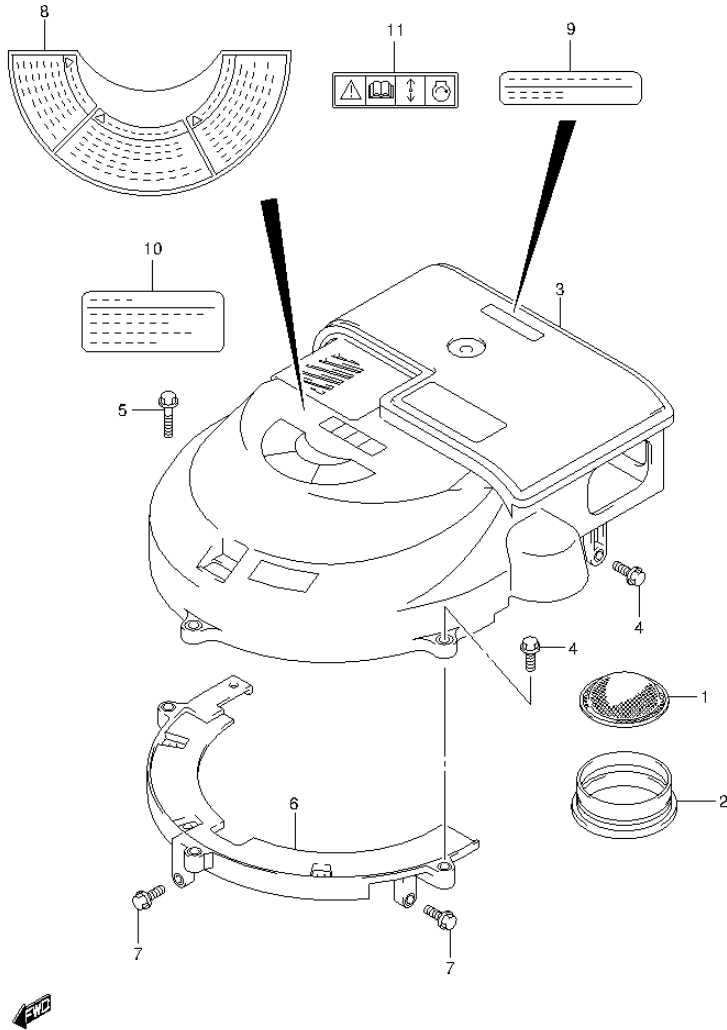


**FIG.25 (1-D-7) SILENCER / RING GEAR COVER (DF150Z E40)**

REF NO.	PART NO.	DESCRIPTION	Q'TY	REMARKS
1	13710-96J00	ARRESTER, FLAME	1	
2	13813-96J00	HOLDER, ARRESTER	1	
3	13810-96J00	SILENCER	1	
4	01550-06207	BOLT	3	
5	01550-06307	BOLT	1	
6	11510-96J03	COVER, RING GEAR UNDER	1	
7	01550-06207	BOLT	2	
8	61472-93E32	LABEL, MAG COVER	1	
9	61493-96J00	LABEL, CLEARANCE	1	
10	61494-96J00	LABEL, OIL	1	
11	69711-93E10	LABEL, (S. I. G. P.)	1	



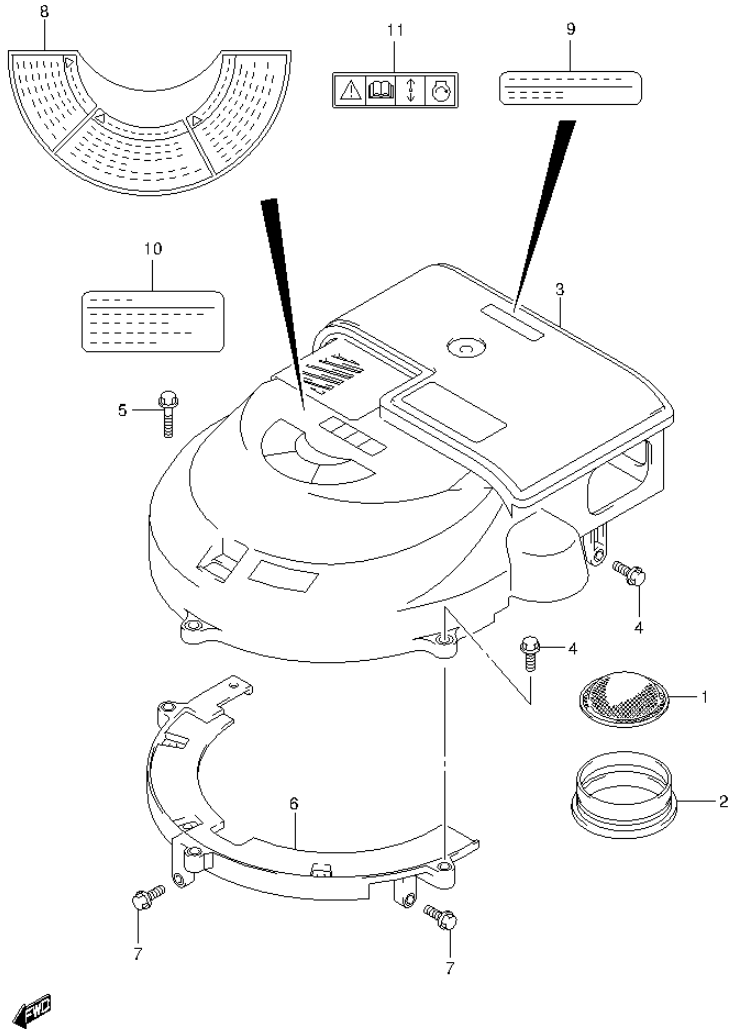
**FIG.26**



**FIG.26 (1-D-8) SILENCER / RING GEAR COVER (DF175T E1)**

REF NO.	PART NO.	DESCRIPTION	Q'TY	REMARKS
1	13710-96J00	ARRESTER, FLAME	1	
2	13813-96J00	HOLDER, ARRESTER	1	
3	13810-96J00	SILENCER	1	
4	01550-06207	BOLT	3	
5	01550-06307	BOLT	1	
6	11510-96J03	COVER, RING GEAR UNDER	1	
7	01550-06207	BOLT	2	
8	61472-93E40	LABEL, MAG COVER	1	
9	61493-96J00	LABEL, CLEARANCE	1	
10	61494-96J00	LABEL, OIL	1	
11	69711-93E10	LABEL, (S. I. G. P.)	1	

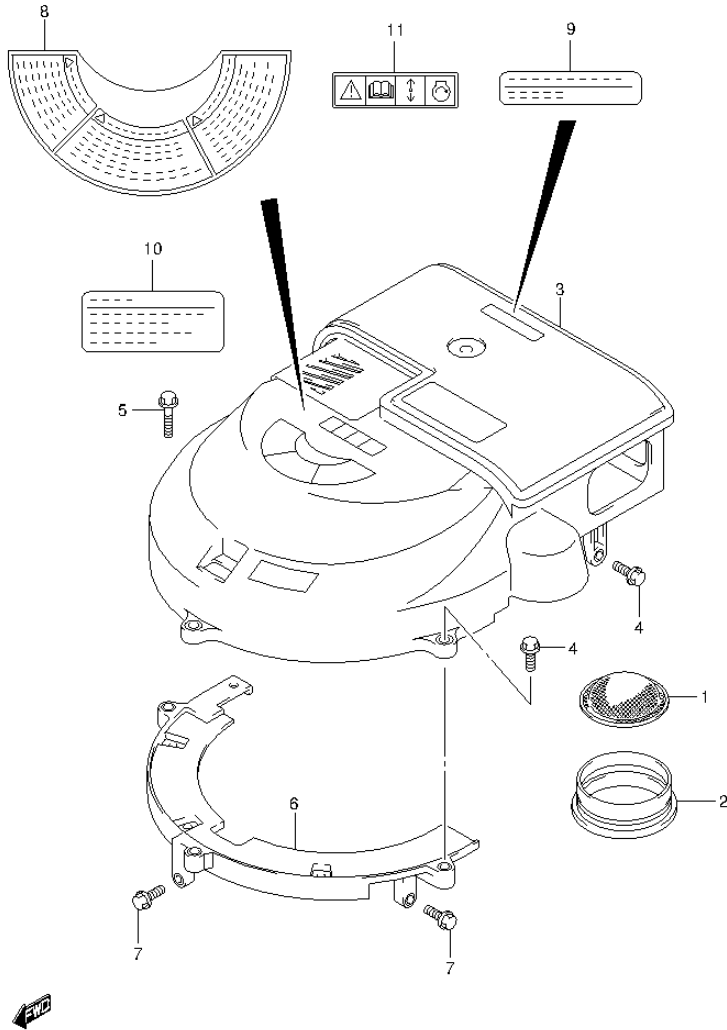
**FIG.27**



**FIG.27 (1-D-9) SILENCER / RING GEAR COVER (DF175T E40)**

REF NO.	PART NO.	DESCRIPTION	Q'TY	REMARKS
1	13710-96J00	ARRESTER, FLAME	1	
2	13813-96J00	HOLDER, ARRESTER	1	
3	13810-96J00	SILENCER	1	
4	01550-06207	BOLT	3	
5	01550-06307	BOLT	1	
6	11510-96J03	COVER, RING GEAR UNDER	1	
7	01550-06207	BOLT	2	
8	61472-93E32	LABEL, MAG COVER	1	
9	61493-96J00	LABEL, CLEARANCE	1	
10	61494-96J00	LABEL, OIL	1	
11	69711-93E10	LABEL, (S. I. G. P.)	1	

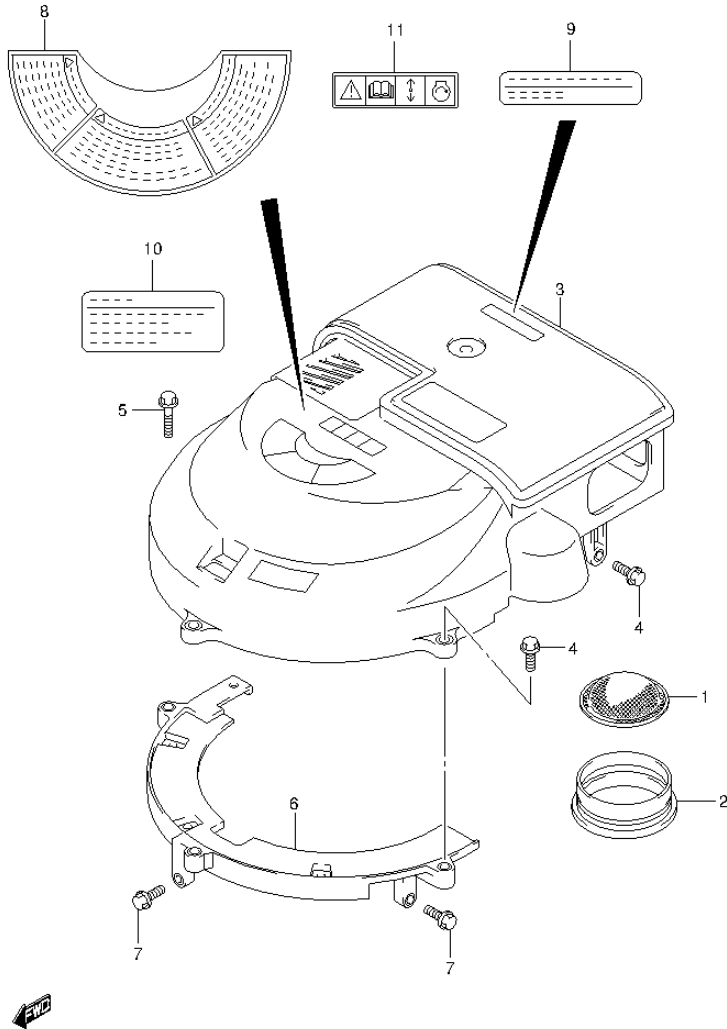
**FIG.28**



**FIG.28 (1-D-10) SILENCER / RING GEAR COVER (DF175Z E1)**

REF NO.	PART NO.	DESCRIPTION	Q'TY	REMARKS
1	13710-96J00	ARRESTER, FLAME	1	
2	13813-96J00	HOLDER, ARRESTER	1	
3	13810-96J00	SILENCER	1	
4	01550-06207	BOLT	3	
5	01550-06307	BOLT	1	
6	11510-96J03	COVER, RING GEAR UNDER	1	
7	01550-06207	BOLT	2	
8	61472-93E40	LABEL, MAG COVER	1	
9	61493-96J00	LABEL, CLEARANCE	1	
10	61494-96J00	LABEL, OIL	1	
11	69711-93E10	LABEL, (S. I. G. P.)	1	

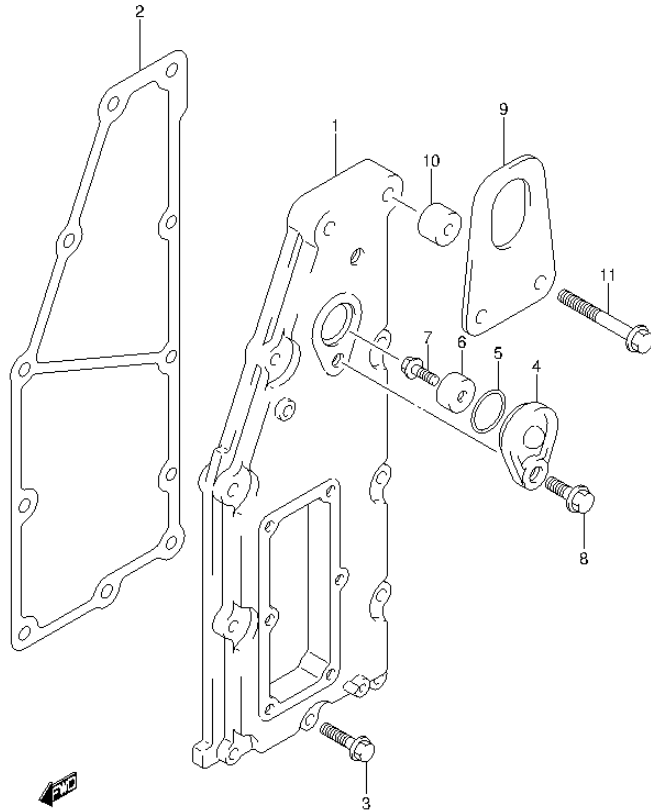
**FIG.29**



**FIG.29 (1-D-11) SILENCER / RING GEAR COVER (DF175Z E40)**

REF NO.	PART NO.	DESCRIPTION	Q'TY	REMARKS
1	13710-96J00	ARRESTER, FLAME	1	
2	13813-96J00	HOLDER, ARRESTER	1	
3	13810-96J00	SILENCER	1	
4	01550-06207	BOLT	3	
5	01550-06307	BOLT	1	
6	11510-96J03	COVER, RING GEAR UNDER	1	
7	01550-06207	BOLT	2	
8	61472-93E32	LABEL, MAG COVER	1	
9	61493-96J00	LABEL, CLEARANCE	1	
10	61494-96J00	LABEL, OIL	1	
11	69711-93E10	LABEL, (S. I. G. P.)	1	

**FIG.30**

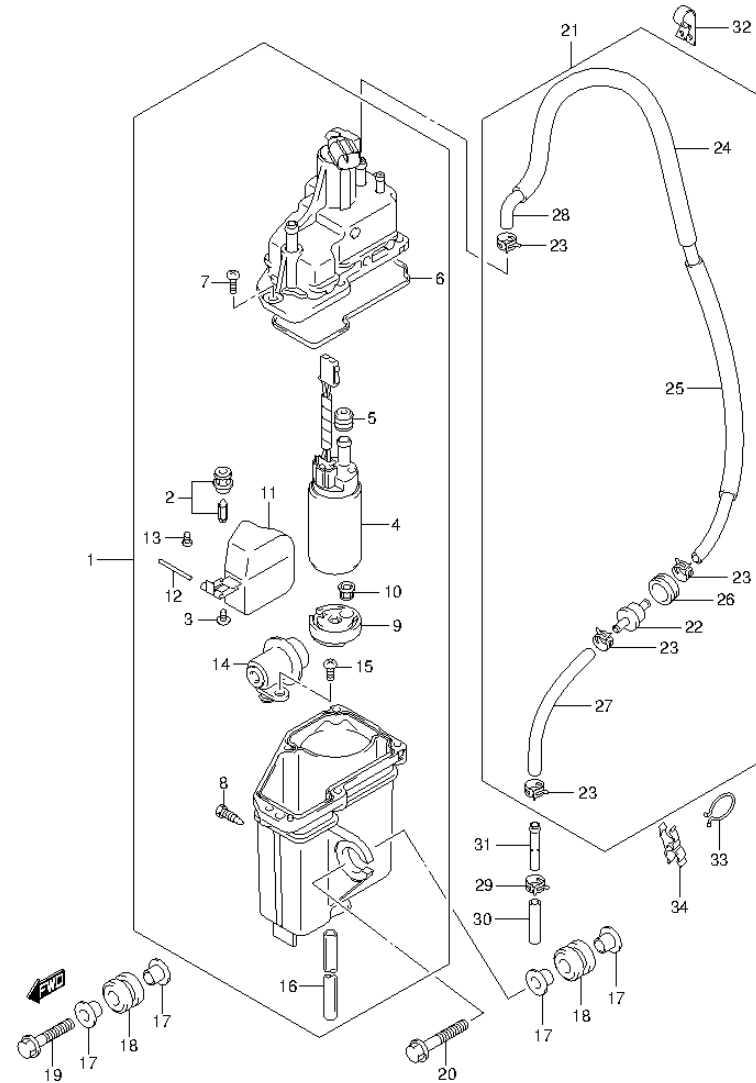


**FIG.30 (1-D-12) EXHAUST COVER**

REF NO.	PART NO.	DESCRIPTION	Q'TY	REMARKS
1	14141-96J00	COVER, EXHAUST	1	
2	14151-96J00	GASKET, EXH COVER	1	
3	01550-06307	BOLT	9	
4	11261-93J00	COVER, PROTECTION ANODE	1	
5	09280-22019	O RING (D:1.9, ID:21.8)	1	
6	55321-87J00	ANODE, PROTECTION	1	
7	09103-06281	BOLT (6X14)	1	
8	01550-08207	BOLT	1	
9	11292-96J00	HOOK, ENGINE PORT	1	
10	09180-08167	SPACER (8.5X20X13.5)	2	
11	01550-08607	BOLT	2	

FIG.31

FIG.31 (1-D-13) FUEL VAPOR SEPARATOR (DF150T E1)



REF NO.	PART NO.	DESCRIPTION	Q'TY	REMARKS
1	15600-96J01	SEPARATOR, FUEL VAPOR	1	
2	13370-96J00	.VALVE, NEEDLE	1	
3	02142-0408B	.SCREW	1	
4	15200-96J00	.PUMP, FUEL	1	
5	15647-93J00	.BUSH	1	
6	15626-96J00	.SEAL	1	
7	15628-99E00	.SCREW (L:15)	5	
8	15629-99E10	.SCREW, DRAIN	1	
9	15641-96J00	.SPACER, FUEL PUMP	1	
10	15642-90J00	.FILTER, FUEL PUMP	1	
11	15650-96J00	.FLOAT	1	
12	13254-01010	.PIN	1	
13	02112-0408A	.SCREW	1	
14	15760-93J00	.REGULATOR	1	
15	02112-05107	.SCREW	1	
16	15683-87J00	.HOSE, DRAIN	1	
17	09169-08042	WASHER	6	
18	09320-12072	CUSHION	3	
19	01550-08357	BOLT	1	
20	01550-08407	BOLT	2	
21	15660-96J11	HOSE, EVAPORATION	1	
22	15410-98500	.FILTER, EVAPORATION	1	
23	09401-08412	.CLIP	4	
24	18498-87JC0	.PROTECTOR, EVAP HOSE (9.5X11.5X450)	1	
25	18498-87JC0	.PROTECTOR, EVAP HOSE (9.5X11.5X450)	1	L:450->300
26	09320-20008	.CUSHION	1	
27	09352-50823-600	.HOSE (5X8.2X600)	1	L:600->120
28	09352-50823-00B	.HOSE (5X8.2X2000)	1	L:2000->860
29	09401-08412	CLIP	1	
30	09352-50823-600	HOSE (5X8.2X600)	1	L:600->45
31	09364-06010	UNION	1	

**FIG.31**

**FIG.31 (1-D-14) FUEL VAPOR SEPARATOR (DF150T E1)**

REF NO.	PART NO.	DESCRIPTION	Q'TY	REMARKS
32	09403-13408	CLAMP	1	
33	09408-00008	CLIP (ID:20)	1	
34	09408-00078	CLAMP	1	
35	15690-96J01	HOSE SET, EVAPORATION	1	OPT NOT ILLUSTRATED

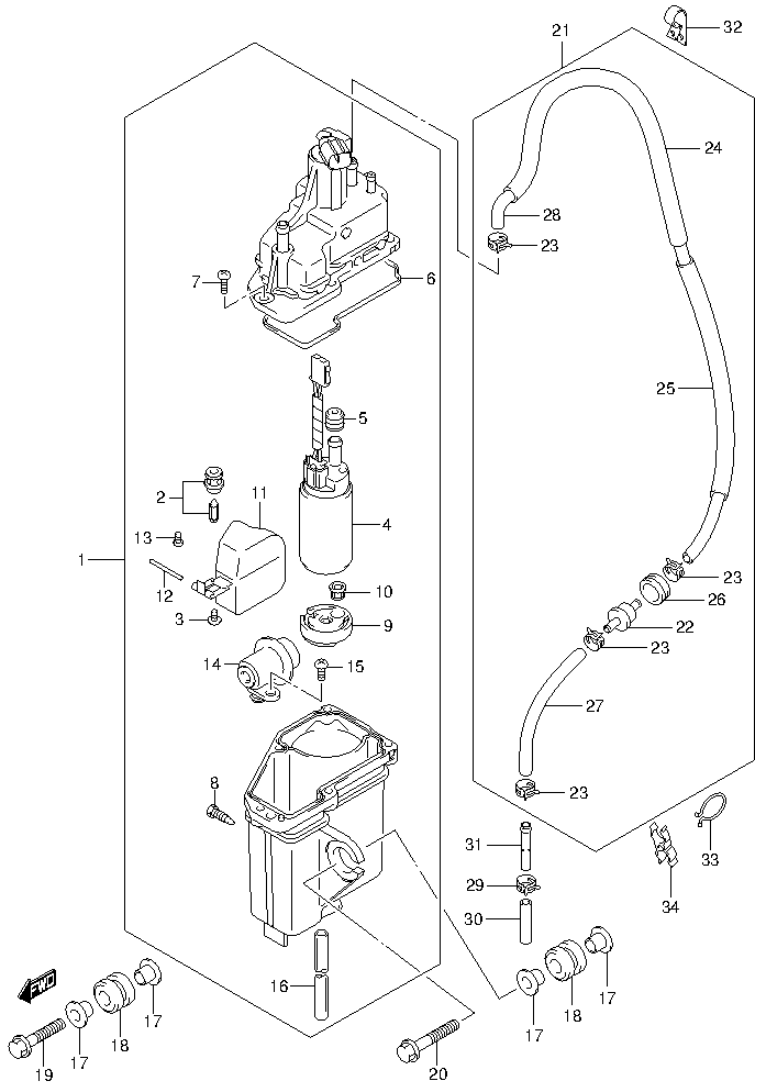
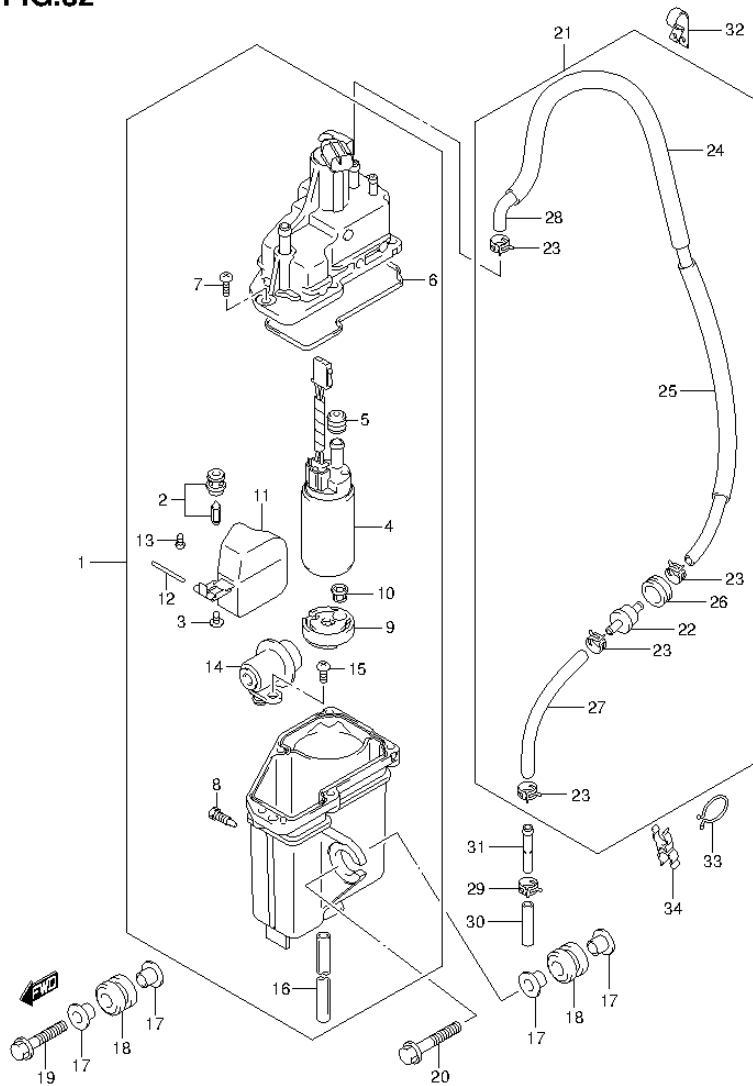


FIG.32

FIG.32 (1-D-15) FUEL VAPOR SEPARATOR (DF150T E40)



REF NO.	PART NO.	DESCRIPTION	Q'TY	REMARKS
1	15600-96J11	SEPARATOR, FUEL VAPOR	1	
2	13370-96J00	.VALVE, NEEDLE	1	
3	02142-0408B	.SCREW	1	
4	15200-96J10	.PUMP, FUEL	1	
5	15647-93J10	.BUSH	1	
6	15626-96J00	.SEAL	1	
7	15628-99E00	.SCREW (L:15)	5	
8	15629-99E10	.SCREW, DRAIN	1	
9	15641-96J00	.SPACER, FUEL PUMP	1	
10	15642-90J00	.FILTER, FUEL PUMP	1	
11	15650-96J00	.FLOAT	1	
12	13254-01010	.PIN	1	
13	02112-0408A	.SCREW	1	
14	15760-93J00	.REGULATOR	1	
15	02112-05107	.SCREW	1	
16	15683-87J00	.HOSE, DRAIN	1	
17	09169-08042	WASHER	6	
18	09320-12072	CUSHION	3	
19	01550-08357	BOLT	1	
20	01550-08407	BOLT	2	
21	15660-96J11	HOSE, EVAPORATION	1	
22	15410-98500	.FILTER, EVAPORATION	1	
23	09401-08412	.CLIP	4	
24	18498-87JC0	.PROTECTOR, EVAP HOSE (9.5X11.5X450)	1	
25	18498-87JC0	.PROTECTOR, EVAP HOSE (9.5X11.5X450)	1	L:450->300
26	09320-20008	.CUSHION	1	
27	09352-50823-600	.HOSE (5X8.2X600)	1	L:600->120
28	09352-50823-00B	.HOSE (5X8.2X2000)	1	L:2000->860
29	09401-08412	CLIP	1	
30	09352-50823-600	HOSE (5X8.2X600)	1	L:600->45
31	09364-06010	UNION	1	



FIG.32

FIG.32 (1-E-2) FUEL VAPOR SEPARATOR (DF150T E40)

REF NO.	PART NO.	DESCRIPTION	Q'TY	REMARKS
32	09403-13408	CLAMP	1	
33	09408-00008	CLIP (ID:20)	1	
34	09408-00078	CLAMP	1	
35	15690-96J01	HOSE SET, EVAPORATION	1	OPT NOT ILLUSTRATED

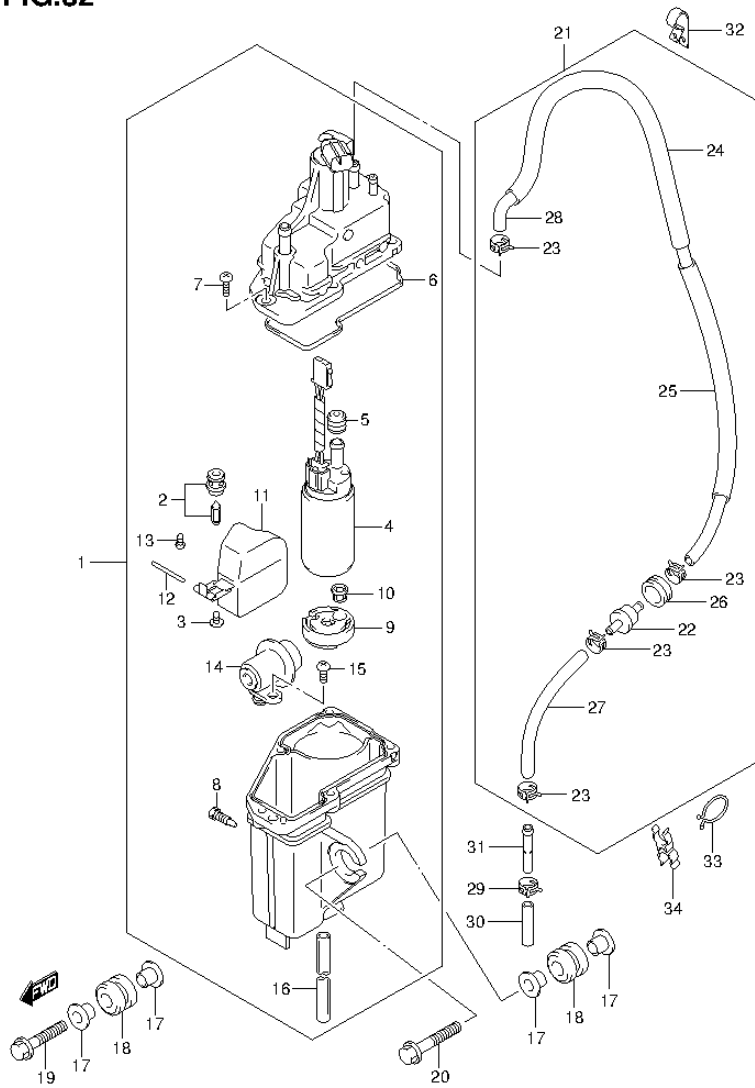
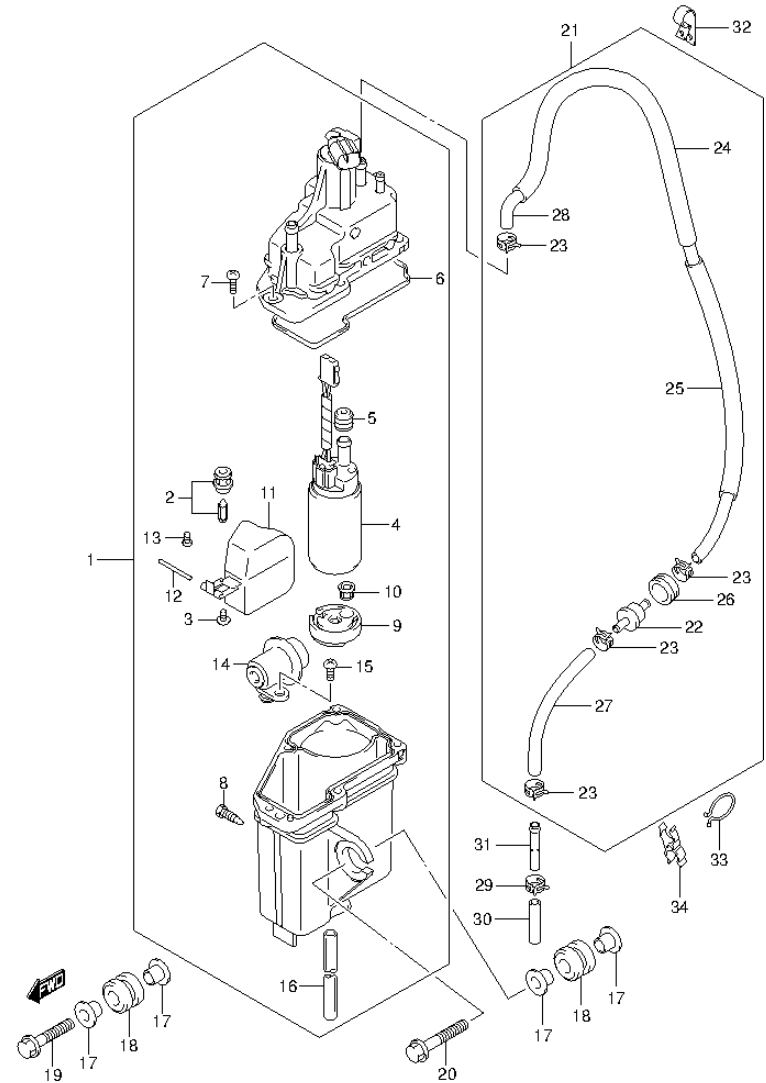


FIG.33

FIG.33 (1-E-3) FUEL VAPOR SEPARATOR (DF150Z E1)



REF NO.	PART NO.	DESCRIPTION	Q'TY	REMARKS
1	15600-96J01	SEPARATOR, FUEL VAPOR	1	
2	13370-96J00	.VALVE, NEEDLE	1	
3	02142-0408B	.SCREW	1	
4	15200-96J00	.PUMP, FUEL	1	
5	15647-93J00	.BUSH	1	
6	15626-96J00	.SEAL	1	
7	15628-99E00	.SCREW (L:15)	5	
8	15629-99E10	.SCREW, DRAIN	1	
9	15641-96J00	.SPACER, FUEL PUMP	1	
10	15642-90J00	.FILTER, FUEL PUMP	1	
11	15650-96J00	.FLOAT	1	
12	13254-01010	.PIN	1	
13	02112-0408A	.SCREW	1	
14	15760-93J00	.REGULATOR	1	
15	02112-05107	.SCREW	1	
16	15683-87J00	.HOSE, DRAIN	1	
17	09169-08042	WASHER	6	
18	09320-12072	CUSHION	3	
19	01550-08357	BOLT	1	
20	01550-08407	BOLT	2	
21	15660-96J11	HOSE, EVAPORATION	1	
22	15410-98500	.FILTER, EVAPORATION	1	
23	09401-08412	.CLIP	4	
24	18498-87JC0	.PROTECTOR, EVAP HOSE (9.5X11.5X450)	1	
25	18498-87JC0	.PROTECTOR, EVAP HOSE (9.5X11.5X450)	1	L:450->300
26	09320-20008	.CUSHION	1	
27	09352-50823-600	.HOSE (5X8.2X600)	1	L:600->120
28	09352-50823-00B	.HOSE (5X8.2X2000)	1	L:2000->860
29	09401-08412	CLIP	1	
30	09352-50823-600	HOSE (5X8.2X600)	1	L:600->45
31	09364-06010	UNION	1	

FIG.33

FIG.33 (1-E-4) FUEL VAPOR SEPARATOR (DF150Z E1)

REF NO.	PART NO.	DESCRIPTION	Q'TY	REMARKS
32	09403-13408	CLAMP	1	
33	09408-00008	CLIP (ID:20)	1	
34	09408-00078	CLAMP	1	
35	15690-96J01	HOSE SET, EVAPORATION	1	OPT NOT ILLUSTRATED

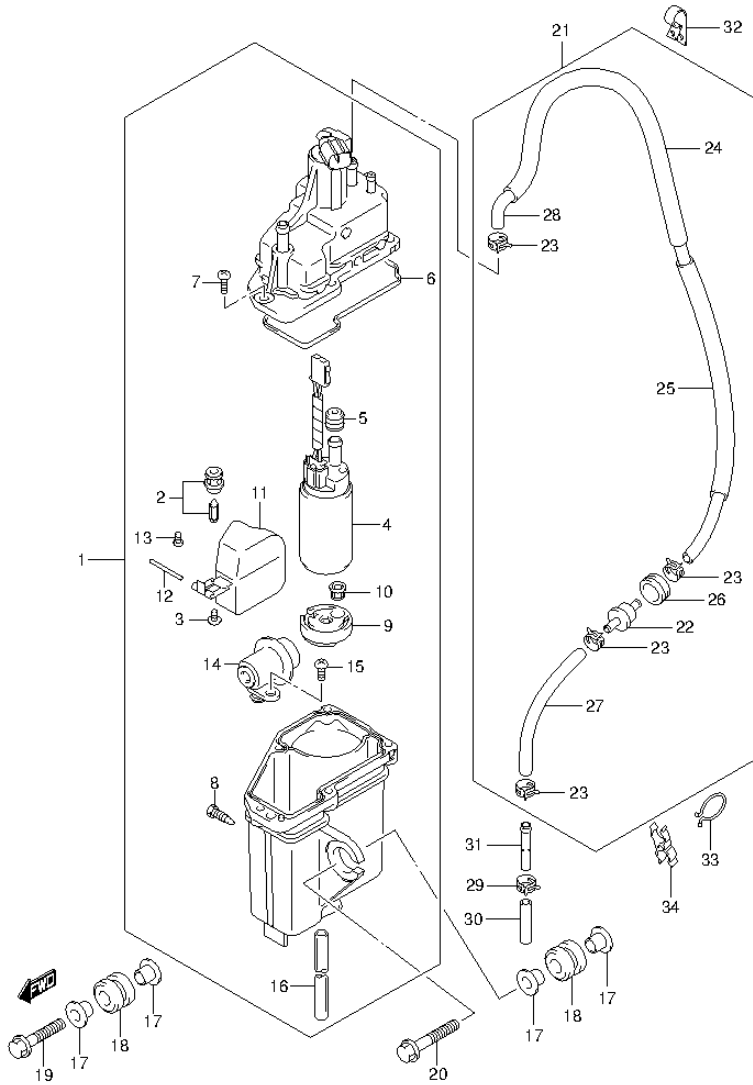
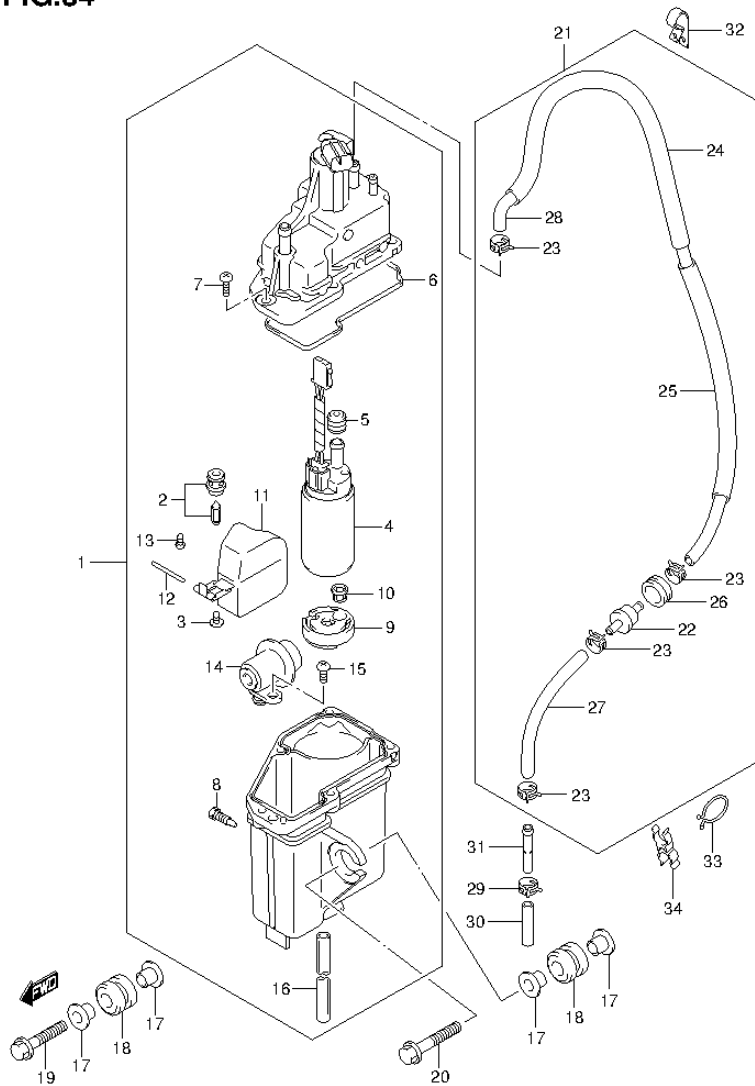


FIG.34

FIG.34 (1-E-5) FUEL VAPOR SEPARATOR (DF150Z E40)



REF NO.	PART NO.	DESCRIPTION	Q'TY	REMARKS
1	15600-96J11	SEPARATOR, FUEL VAPOR	1	
2	13370-96J00	.VALVE, NEEDLE	1	
3	02142-0408B	.SCREW	1	
4	15200-96J10	.PUMP, FUEL	1	
5	15647-93J10	.BUSH	1	
6	15626-96J00	.SEAL	1	
7	15628-99E00	.SCREW (L:15)	5	
8	15629-99E10	.SCREW, DRAIN	1	
9	15641-96J00	.SPACER, FUEL PUMP	1	
10	15642-90J00	.FILTER, FUEL PUMP	1	
11	15650-96J00	.FLOAT	1	
12	13254-01010	.PIN	1	
13	02112-0408A	.SCREW	1	
14	15760-93J00	.REGULATOR	1	
15	02112-05107	.SCREW	1	
16	15683-87J00	.HOSE, DRAIN	1	
17	09169-08042	WASHER	6	
18	09320-12072	CUSHION	3	
19	01550-08357	BOLT	1	
20	01550-08407	BOLT	2	
21	15660-96J11	HOSE, EVAPORATION	1	
22	15410-98500	.FILTER, EVAPORATION	1	
23	09401-08412	.CLIP	4	
24	18498-87JC0	.PROTECTOR, EVAP HOSE (9.5X11.5X450)	1	
25	18498-87JC0	.PROTECTOR, EVAP HOSE (9.5X11.5X450)	1	L:450->300
26	09320-20008	.CUSHION	1	
27	09352-50823-600	.HOSE (5X8.2X600)	1	L:600->120
28	09352-50823-00B	.HOSE (5X8.2X2000)	1	L:2000->860
29	09401-08412	CLIP	1	
30	09352-50823-600	HOSE (5X8.2X600)	1	L:600->45
31	09364-06010	UNION	1	

FIG.34

FIG.34 (1-E-6) FUEL VAPOR SEPARATOR (DF150Z E40)

REF NO.	PART NO.	DESCRIPTION	Q'TY	REMARKS
32	09403-13408	CLAMP	1	
33	09408-00008	CLIP (ID:20)	1	
34	09408-00078	CLAMP	1	
35	15690-96J01	HOSE SET, EVAPORATION	1	OPT NOT ILLUSTRATED

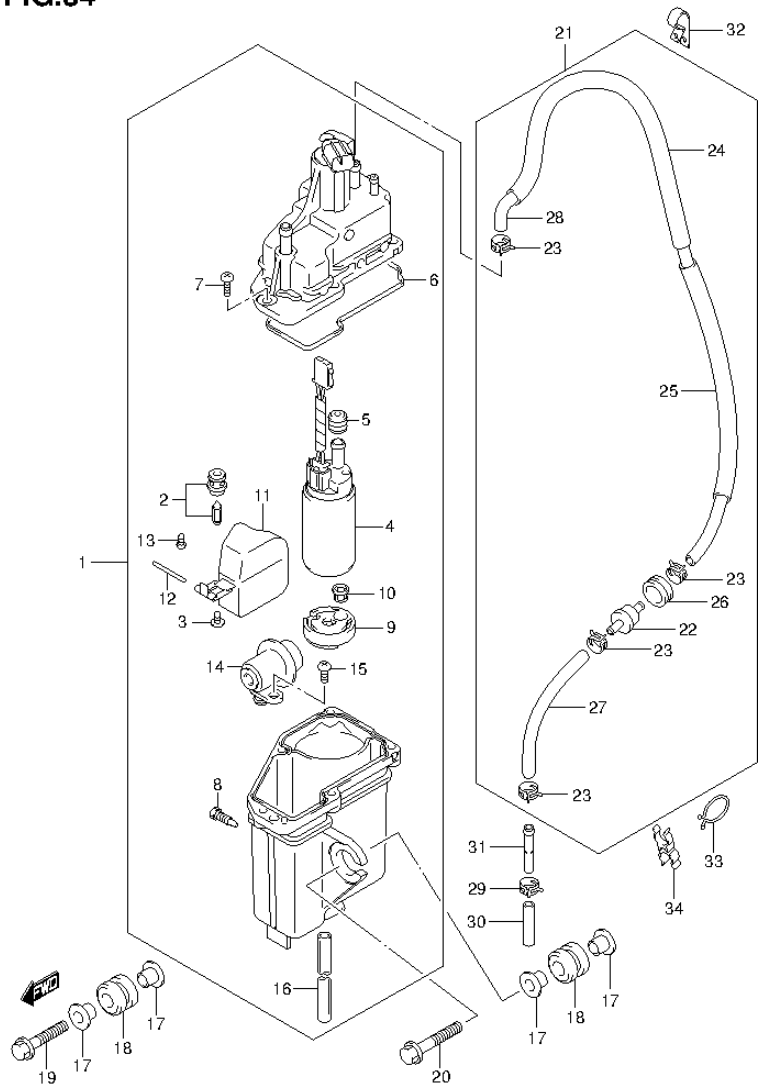
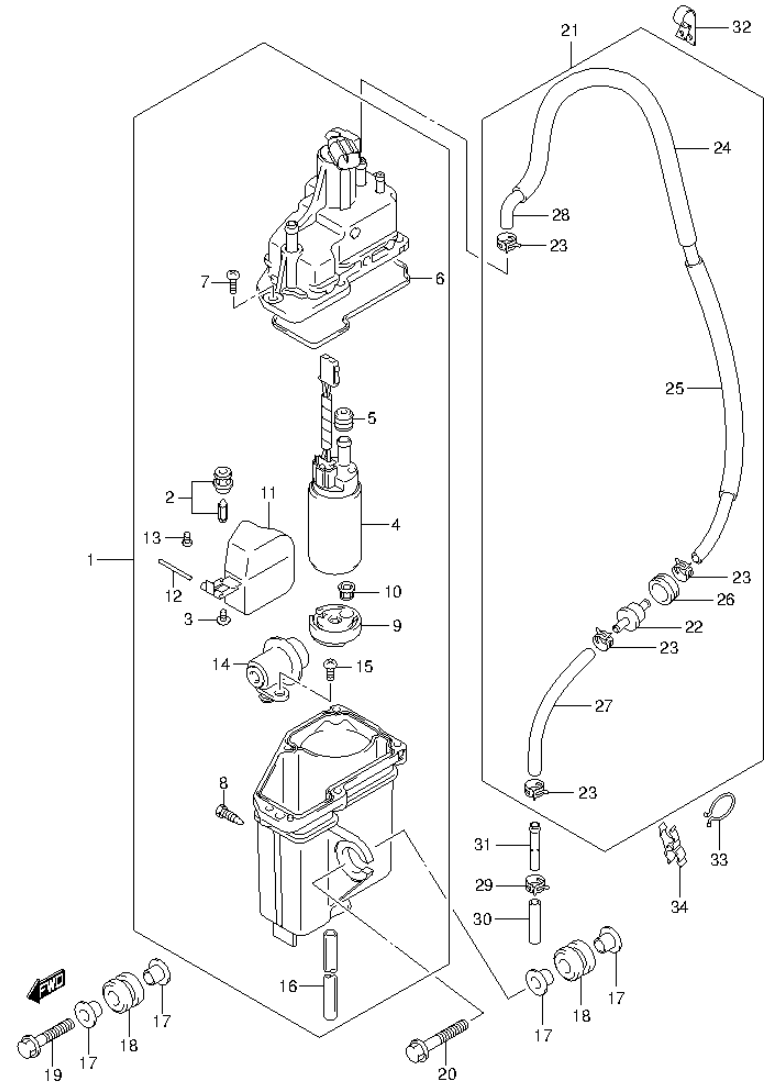


FIG.35

FIG.35 (1-E-7) FUEL VAPOR SEPARATOR (DF175T E1)



REF NO.	PART NO.	DESCRIPTION	Q'TY	REMARKS
1	15600-96J01	SEPARATOR, FUEL VAPOR	1	
2	13370-96J00	.VALVE, NEEDLE	1	
3	02142-0408B	.SCREW	1	
4	15200-96J00	.PUMP, FUEL	1	
5	15647-93J00	.BUSH	1	
6	15626-96J00	.SEAL	1	
7	15628-99E00	.SCREW (L:15)	5	
8	15629-99E10	.SCREW, DRAIN	1	
9	15641-96J00	.SPACER, FUEL PUMP	1	
10	15642-90J00	.FILTER, FUEL PUMP	1	
11	15650-96J00	.FLOAT	1	
12	13254-01010	.PIN	1	
13	02112-0408A	.SCREW	1	
14	15760-93J00	.REGULATOR	1	
15	02112-05107	.SCREW	1	
16	15683-87J00	.HOSE, DRAIN	1	
17	09169-08042	WASHER	6	
18	09320-12072	CUSHION	3	
19	01550-08357	BOLT	1	
20	01550-08407	BOLT	2	
21	15660-96J11	HOSE, EVAPORATION	1	
22	15410-98500	.FILTER, EVAPORATION	1	
23	09401-08412	.CLIP	4	
24	18498-87JC0	.PROTECTOR, EVAP HOSE (9.5X11.5X450)	1	
25	18498-87JC0	.PROTECTOR, EVAP HOSE (9.5X11.5X450)	1	L:450->300
26	09320-20008	.CUSHION	1	
27	09352-50823-600	.HOSE (5X8.2X600)	1	L:600->120
28	09352-50823-00B	.HOSE (5X8.2X2000)	1	L:2000->860
29	09401-08412	CLIP	1	
30	09352-50823-600	HOSE (5X8.2X600)	1	L:600->45
31	09364-06010	UNION	1	

FIG.35

FIG.35 (1-E-8) FUEL VAPOR SEPARATOR (DF175T E1)

REF NO.	PART NO.	DESCRIPTION	Q'TY	REMARKS
32	09403-13408	CLAMP	1	
33	09408-00008	CLIP (ID:20)	1	
34	09408-00078	CLAMP	1	
35	15690-96J01	HOSE SET, EVAPORATION	1	OPT NOT ILLUSTRATED

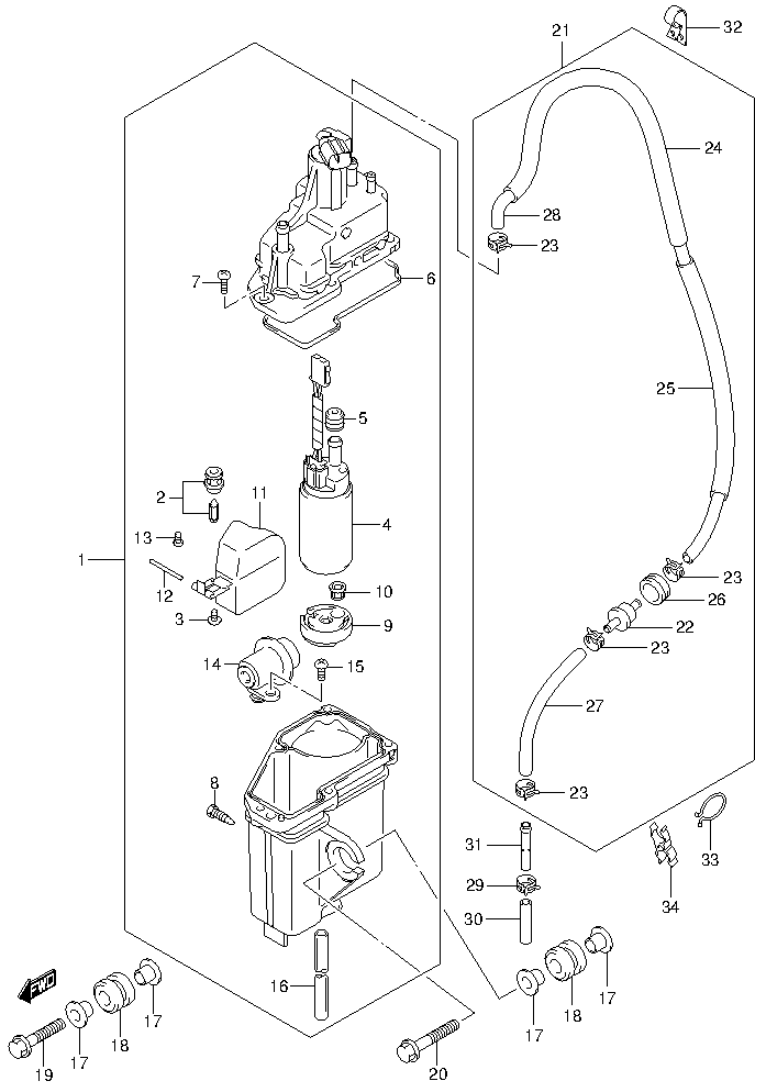
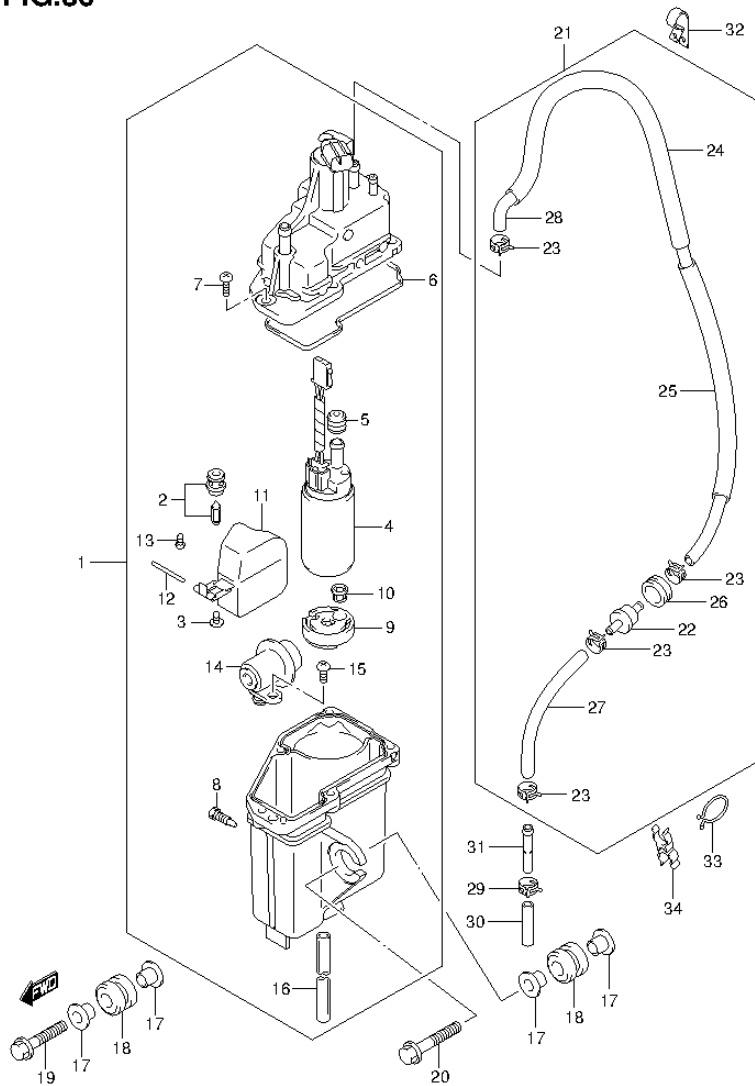


FIG.36

FIG.36 (1-E-9) FUEL VAPOR SEPARATOR (DF175T E40)



REF NO.	PART NO.	DESCRIPTION	Q'TY	REMARKS
1	15600-96J11	SEPARATOR, FUEL VAPOR	1	
2	13370-96J00	.VALVE, NEEDLE	1	
3	02142-0408B	.SCREW	1	
4	15200-96J10	.PUMP, FUEL	1	
5	15647-93J10	.BUSH	1	
6	15626-96J00	.SEAL	1	
7	15628-99E00	.SCREW (L:15)	5	
8	15629-99E10	.SCREW, DRAIN	1	
9	15641-96J00	.SPACER, FUEL PUMP	1	
10	15642-90J00	.FILTER, FUEL PUMP	1	
11	15650-96J00	.FLOAT	1	
12	13254-01010	.PIN	1	
13	02112-0408A	.SCREW	1	
14	15760-93J00	.REGULATOR	1	
15	02112-05107	.SCREW	1	
16	15683-87J00	.HOSE, DRAIN	1	
17	09169-08042	WASHER	6	
18	09320-12072	CUSHION	3	
19	01550-08357	BOLT	1	
20	01550-08407	BOLT	2	
21	15660-96J11	HOSE, EVAPORATION	1	
22	15410-98500	.FILTER, EVAPORATION	1	
23	09401-08412	.CLIP	4	
24	18498-87JC0	.PROTECTOR, EVAP HOSE (9.5X11.5X450)	1	
25	18498-87JC0	.PROTECTOR, EVAP HOSE (9.5X11.5X450)	1	L:450->300
26	09320-20008	.CUSHION	1	
27	09352-50823-600	.HOSE (5X8.2X600)	1	L:600->120
28	09352-50823-00B	.HOSE (5X8.2X2000)	1	L:2000->860
29	09401-08412	CLIP	1	
30	09352-50823-600	HOSE (5X8.2X600)	1	L:600->45
31	09364-06010	UNION	1	



FIG.36

FIG.36 (1-E-10) FUEL VAPOR SEPARATOR (DF175T E40)

REF NO.	PART NO.	DESCRIPTION	Q'TY	REMARKS
32	09403-13408	CLAMP	1	
33	09408-00008	CLIP (ID:20)	1	
34	09408-00078	CLAMP	1	
35	15690-96J01	HOSE SET, EVAPORATION	1	OPT NOT ILLUSTRATED

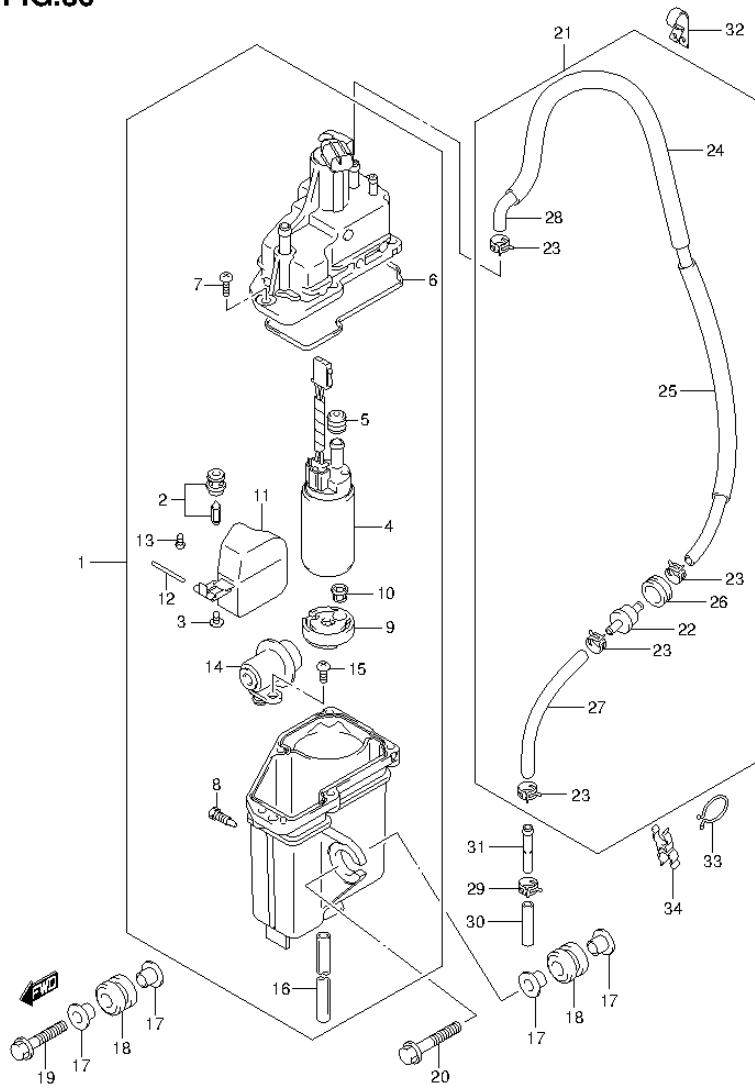
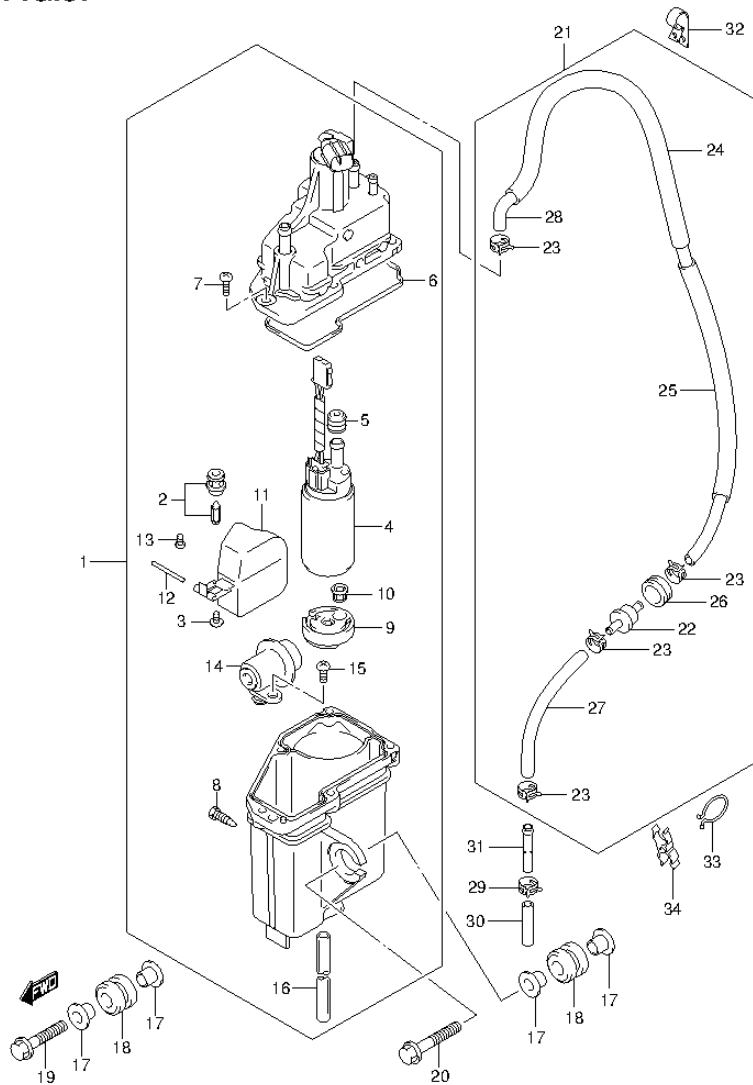


FIG.37

FIG.37 (1-E-11) FUEL VAPOR SEPARATOR (DF175Z E1)



REF NO.	PART NO.	DESCRIPTION	Q'TY	REMARKS
1	15600-96J01	SEPARATOR, FUEL VAPOR	1	
2	13370-96J00	.VALVE, NEEDLE	1	
3	02142-0408B	.SCREW	1	
4	15200-96J00	.PUMP, FUEL	1	
5	15647-93J00	.BUSH	1	
6	15626-96J00	.SEAL	1	
7	15628-99E00	.SCREW (L:15)	5	
8	15629-99E10	.SCREW, DRAIN	1	
9	15641-96J00	.SPACER, FUEL PUMP	1	
10	15642-90J00	.FILTER, FUEL PUMP	1	
11	15650-96J00	.FLOAT	1	
12	13254-01010	.PIN	1	
13	02112-0408A	.SCREW	1	
14	15760-93J00	.REGULATOR	1	
15	02112-05107	.SCREW	1	
16	15683-87J00	.HOSE, DRAIN	1	
17	09169-08042	WASHER	6	
18	09320-12072	CUSHION	3	
19	01550-08357	BOLT	1	
20	01550-08407	BOLT	2	
21	15660-96J11	HOSE, EVAPORATION	1	
22	15410-98500	.FILTER, EVAPORATION	1	
23	09401-08412	.CLIP	4	
24	18498-87JC0	.PROTECTOR, EVAP HOSE (9.5X11.5X450)	1	
25	18498-87JC0	.PROTECTOR, EVAP HOSE (9.5X11.5X450)	1	L:450->300
26	09320-20008	.CUSHION	1	
27	09352-50823-600	.HOSE (5X8.2X600)	1	L:600->120
28	09352-50823-00B	.HOSE (5X8.2X2000)	1	L:2000->860
29	09401-08412	CLIP	1	
30	09352-50823-600	HOSE (5X8.2X600)	1	L:600->45
31	09364-06010	UNION	1	

FIG.37

FIG.37 (1-E-12) FUEL VAPOR SEPARATOR (DF175Z E1)

REF NO.	PART NO.	DESCRIPTION	Q'TY	REMARKS
32	09403-13408	CLAMP	1	
33	09408-00008	CLIP (ID:20)	1	
34	09408-00078	CLAMP	1	
35	15690-96J01	HOSE SET, EVAPORATION	1	OPT NOT ILLUSTRATED

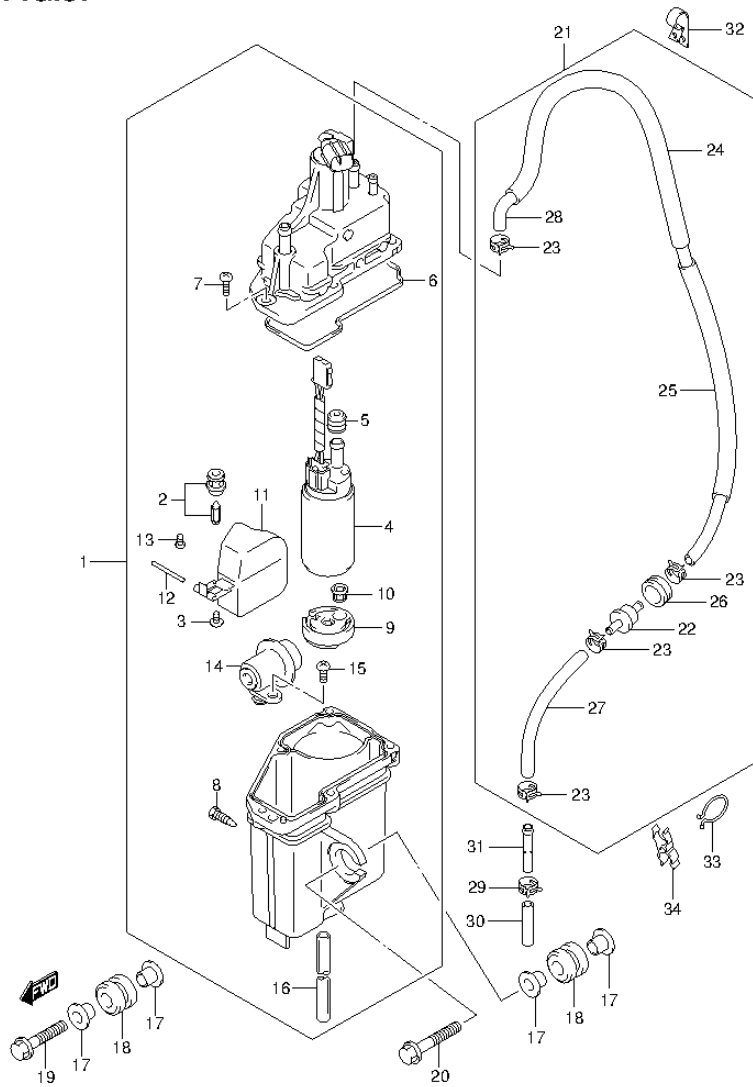
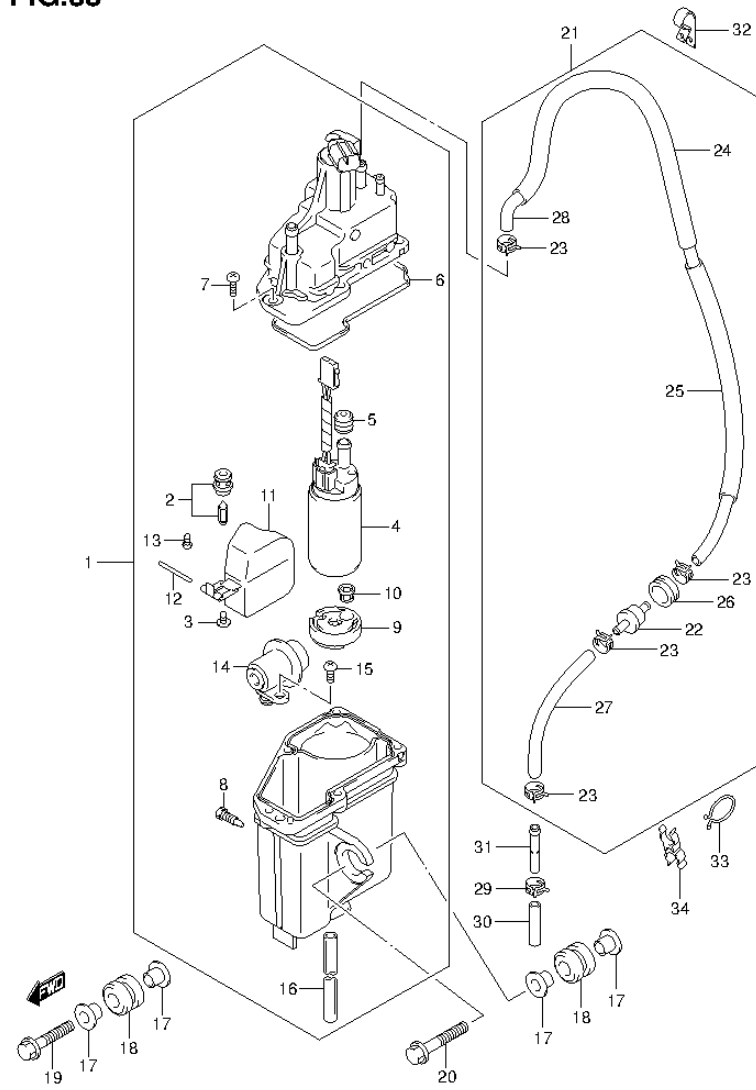


FIG.38

FIG.38 (1-E-13) FUEL VAPOR SEPARATOR (DF175Z E40)



REF NO.	PART NO.	DESCRIPTION	Q'TY	REMARKS
1	15600-96J11	SEPARATOR, FUEL VAPOR	1	
2	13370-96J00	.VALVE, NEEDLE	1	
3	02142-0408B	.SCREW	1	
4	15200-96J10	.PUMP, FUEL	1	
5	15647-93J10	.BUSH	1	
6	15626-96J00	.SEAL	1	
7	15628-99E00	.SCREW (L:15)	5	
8	15629-99E10	.SCREW, DRAIN	1	
9	15641-96J00	.SPACER, FUEL PUMP	1	
10	15642-90J00	.FILTER, FUEL PUMP	1	
11	15650-96J00	.FLOAT	1	
12	13254-01010	.PIN	1	
13	02112-0408A	.SCREW	1	
14	15760-93J00	.REGULATOR	1	
15	02112-05107	.SCREW	1	
16	15683-87J00	.HOSE, DRAIN	1	
17	09169-08042	WASHER	6	
18	09320-12072	CUSHION	3	
19	01550-08357	BOLT	1	
20	01550-08407	BOLT	2	
21	15660-96J11	HOSE, EVAPORATION	1	
22	15410-98500	.FILTER, EVAPORATION	1	
23	09401-08412	.CLIP	4	
24	18498-87JC0	.PROTECTOR, EVAP HOSE (9.5X11.5X450)	1	
25	18498-87JC0	.PROTECTOR, EVAP HOSE (9.5X11.5X450)	1	L:450->300
26	09320-20008	.CUSHION	1	
27	09352-50823-600	.HOSE (5X8.2X600)	1	L:600->120
28	09352-50823-00B	.HOSE (5X8.2X2000)	1	L:2000->860
29	09401-08412	CLIP	1	
30	09352-50823-600	HOSE (5X8.2X600)	1	L:600->45
31	09364-06010	UNION	1	

**FIG.38**

**FIG.38 (1-E-14) FUEL VAPOR SEPARATOR (DF175Z E40)**

REF NO.	PART NO.	DESCRIPTION	Q'TY	REMARKS
32	09403-13408	CLAMP	1	
33	09408-00008	CLIP (ID:20)	1	
34	09408-00078	CLAMP	1	
35	15690-96J01	HOSE SET, EVAPORATION	1	OPT NOT ILLUSTRATED

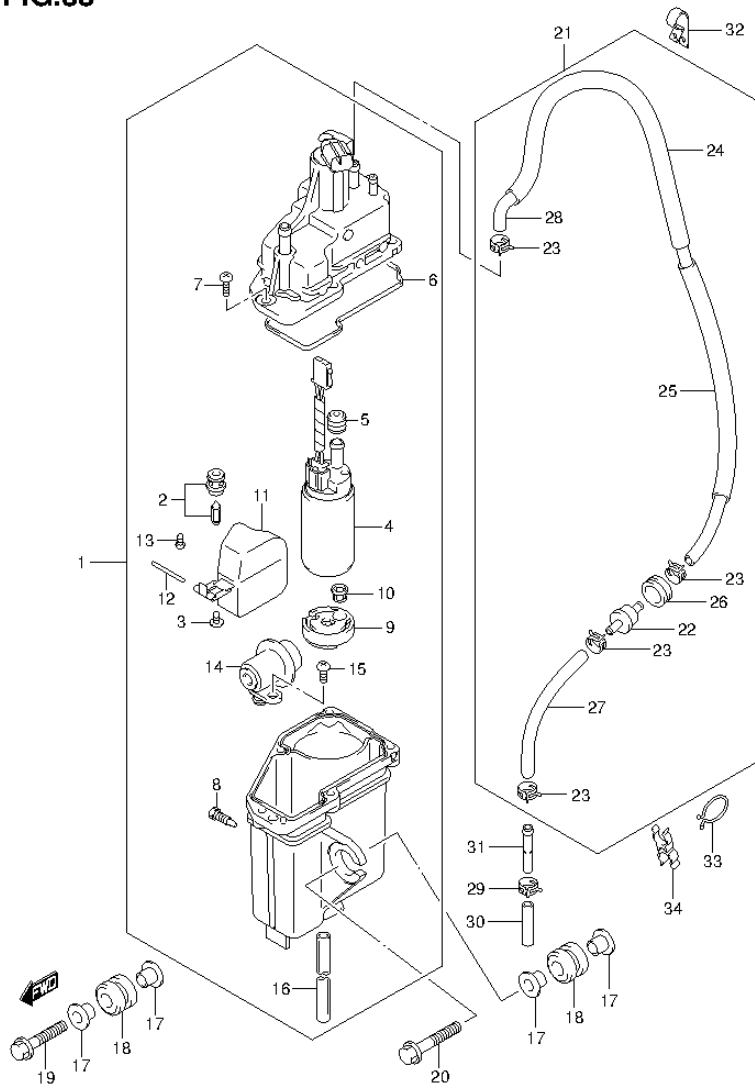


FIG.39

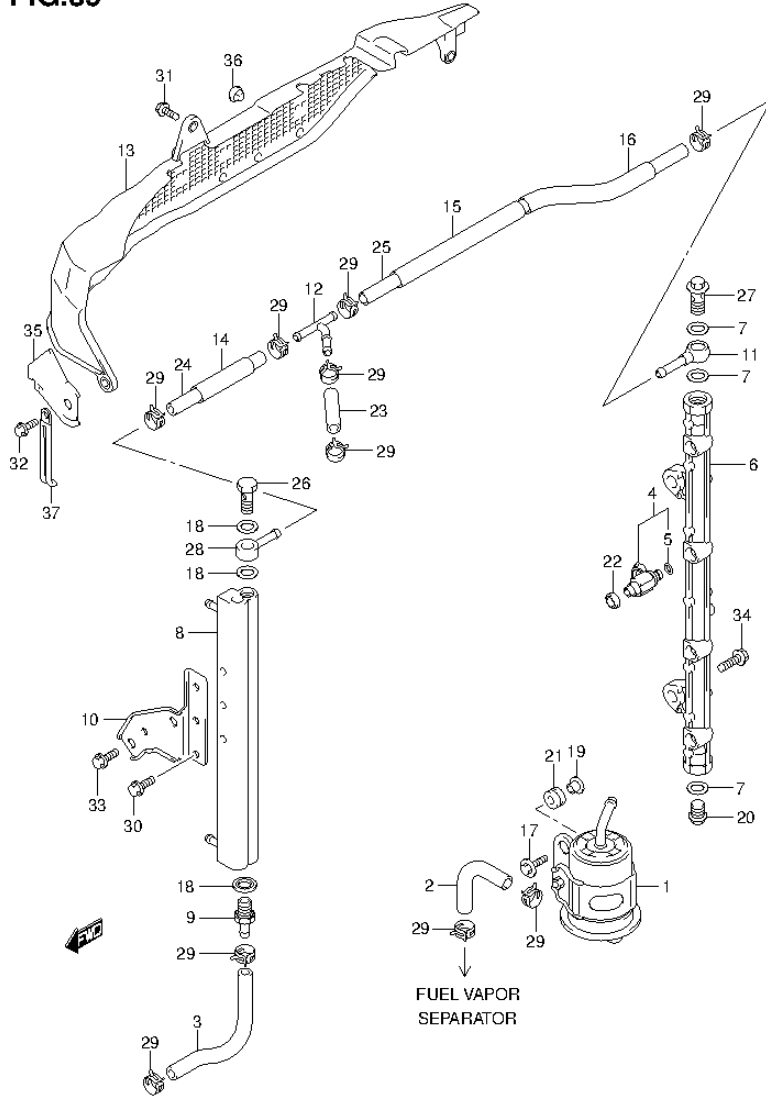
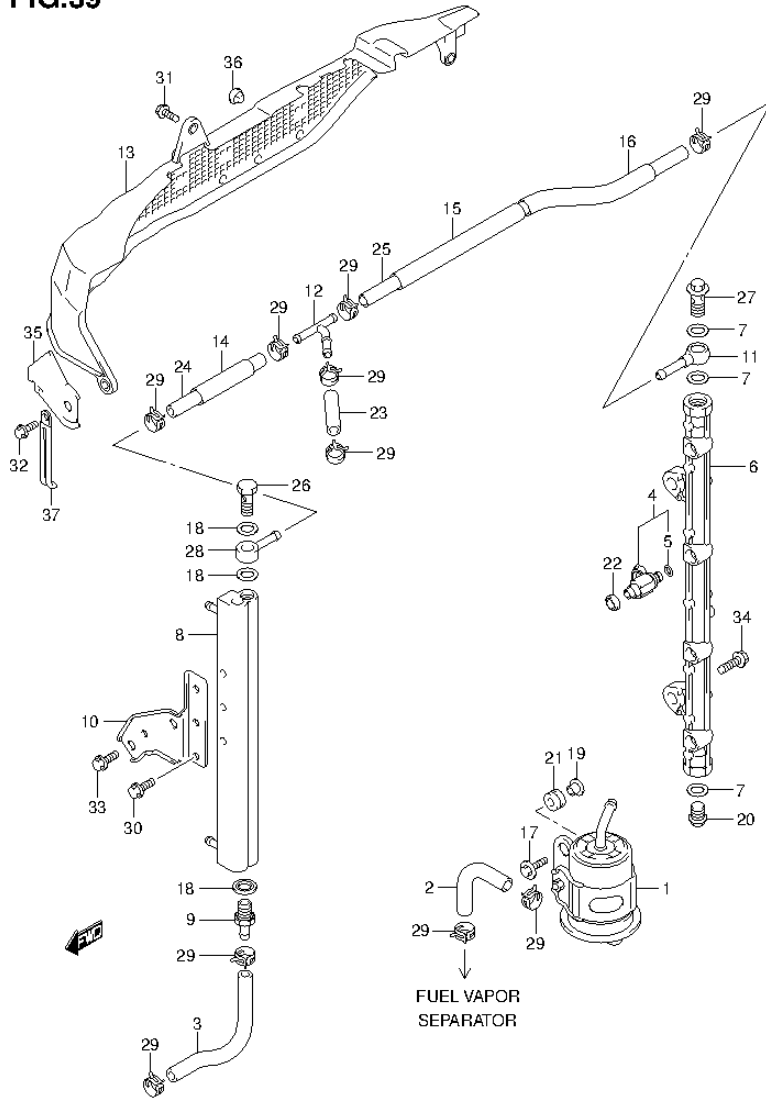


FIG.39 (1-E-15) FUEL INJECTOR (DF150T E1)

REF NO.	PART NO.	DESCRIPTION	Q'TY	REMARKS
1	15440-96J01	FILTER, FUEL	1	
2	15681-87L00	HOSE (SEPARATOR TO FILTER)	1	
3	15681-96J11	HOSE (COOLER TO SEPARATOR)	1	
4	15710-96J00	INJECTOR ASSY, FUEL	4	
5	15717-16G00	.O RING	4	
6	15751-96J00	PIPE, DELIVERY	1	
7	15762-93J00	GASKET, DELIVERY PIPE	3	
8	15770-96J00	COOLER, FUEL	1	
9	15773-90J00	UNION, FUEL HOSE	1	
10	15790-96J00	BRACKET, FUEL COOLER	1	
11	15830-77EA0	UNION, DELIVERY PIPE	1	
12	15830-99E00	UNION, 3 WAY FUEL HOSE	1	
13	15851-96J01	GUARD, FUEL HOSE	1	
14	18498-99E20	PROTECTOR (15.4X18.4X450)	1	L:450->70
15	18498-93J00	PROTECTOR (15.4X18.4X340)	1	L:340->220
16	18498-99E20	PROTECTOR (15.4X18.4X450)	1	L:450->120
17	09116-06202	BOLT (6X25)	2	
18	09168-12013	GASKET (11.8X22X1.2)	3	
19	09169-06062	WASHER	2	
20	09247-14041	PLUG (14X14)	1	
21	09320-08501	CUSHION	2	
22	09320-08062	CUSHION	4	
23	09343-75001-600	HOSE (7.5X13.5X600)	1	L:600->50
24	09343-75001-600	HOSE (7.5X13.5X600)	1	L:600->120
25	09343-75001-600	HOSE (7.5X13.5X600)	1	L:600->430
26	09360-12008	UNION	1	
27	09360-14009	UNION	1	
28	09363-08004	UNION	1	
29	09401-11425	CLIP	10	
30	01550-06127	BOLT	3	
31	01550-06127	BOLT	1	
32	01550-06167	BOLT	2	
33	01550-08167	BOLT	2	
34	01550-08257	BOLT	2	

**FIG.39**



**FIG.39 (1-F-2) FUEL INJECTOR (DF150T E1)**

REF NO.	PART NO.	DESCRIPTION	Q'TY	REMARKS
35	15852-96J00	GUIDE, FUEL HOSE GUARD	1	
36	09321-08005	CUSHION	3	
37	29404-93J20	CLAMP, FUEL HOSE GUARD	1	

FIG.40

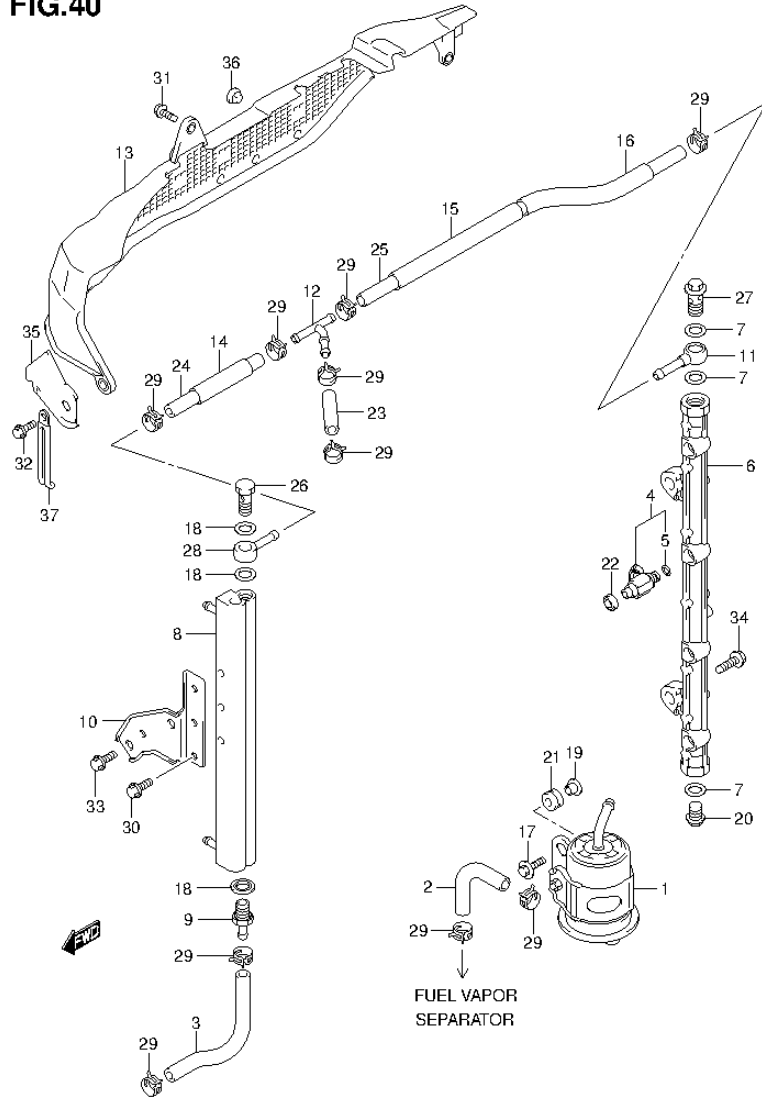
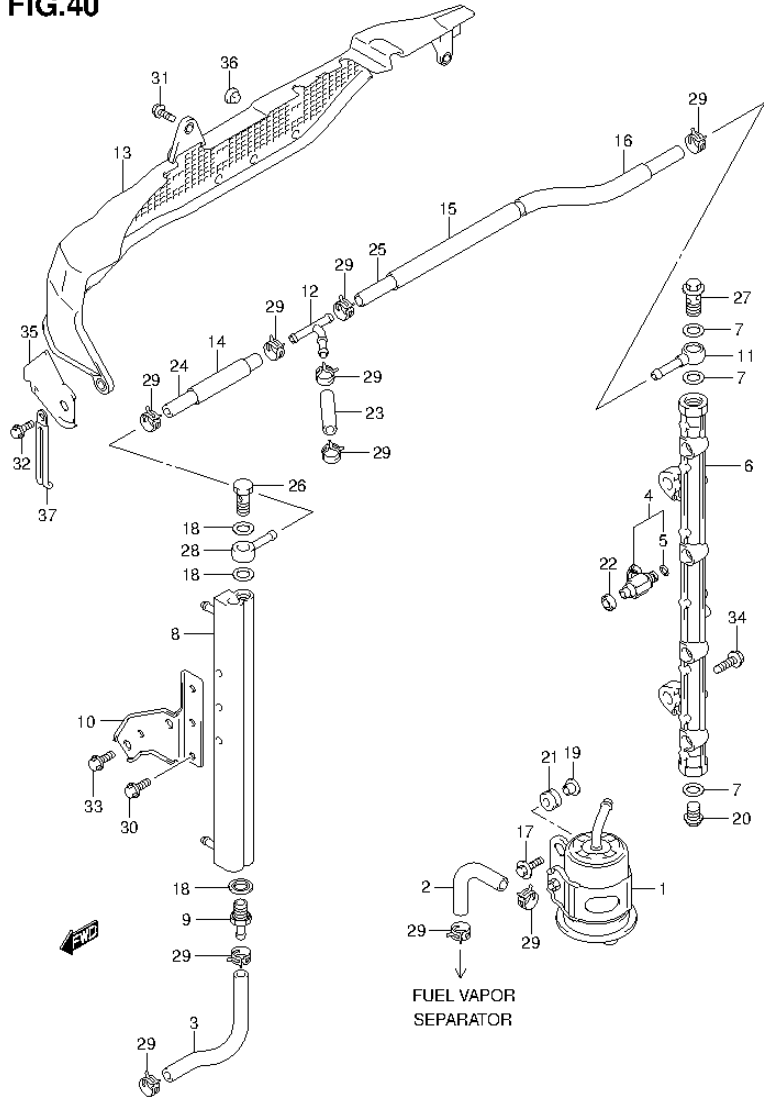


FIG.40 (1-F-3) FUEL INJECTOR (DF150T E40)

REF NO.	PART NO.	DESCRIPTION	Q'TY	REMARKS
1	15440-96J11	FILTER, FUEL	1	
2	15681-87L00	HOSE (SEPARATOR TO FILTER)	1	
3	15681-96J11	HOSE (COOLER TO SEPARATOR)	1	
4	15710-96J00	INJECTOR ASSY, FUEL	4	
5	15717-16G00	.O RING	4	
6	15751-96J00	PIPE, DELIVERY	1	
7	15762-93J10	GASKET, DELIVERY PIPE	3	
8	15770-96J00	COOLER, FUEL	1	
9	15773-90J00	UNION, FUEL HOSE	1	
10	15790-96J00	BRACKET, FUEL COOLER	1	
11	15832-93J00	UNION, DELIVERY PIPE	1	
12	15830-99E00	UNION, 3 WAY FUEL HOSE	1	
13	15851-96J01	GUARD, FUEL HOSE	1	
14	18498-99E20	PROTECTOR (15.4X18.4X450)	1	L:450->70
15	18498-93J00	PROTECTOR (15.4X18.4X340)	1	L:340->220
16	18498-99E20	PROTECTOR (15.4X18.4X450)	1	L:450->120
17	09116-06202	BOLT (6X25)	2	
18	15762-90J00	GASKET	3	
19	09169-06062	WASHER	2	
20	09247-14042	PLUG (14X14)	1	
21	09320-08501	CUSHION	2	
22	09320-08062	CUSHION	4	
23	09343-75001-600	HOSE (7.5X13.5X600)	1	L:600->50
24	09343-75001-600	HOSE (7.5X13.5X600)	1	L:600->120
25	09343-75001-600	HOSE (7.5X13.5X600)	1	L:600->430
26	09360-12013	UNION	1	
27	09360-14014	UNION	1	
28	15830-90J00	UNION, FUEL COOLER	1	
29	09401-11425	CLIP	10	
30	01550-06127	BOLT	3	
31	01550-06127	BOLT	1	
32	01550-06167	BOLT	2	
33	01550-08167	BOLT	2	
34	01550-08257	BOLT	2	



**FIG.40**



**FIG.40 (1-F-4) FUEL INJECTOR (DF150T E40)**

REF NO.	PART NO.	DESCRIPTION	Q'TY	REMARKS
35	15852-96J00	GUIDE, FUEL HOSE GUARD	1	
36	09321-08005	CUSHION	3	
37	29404-93J20	CLAMP, FUEL HOSE GUARD	1	

FIG.41

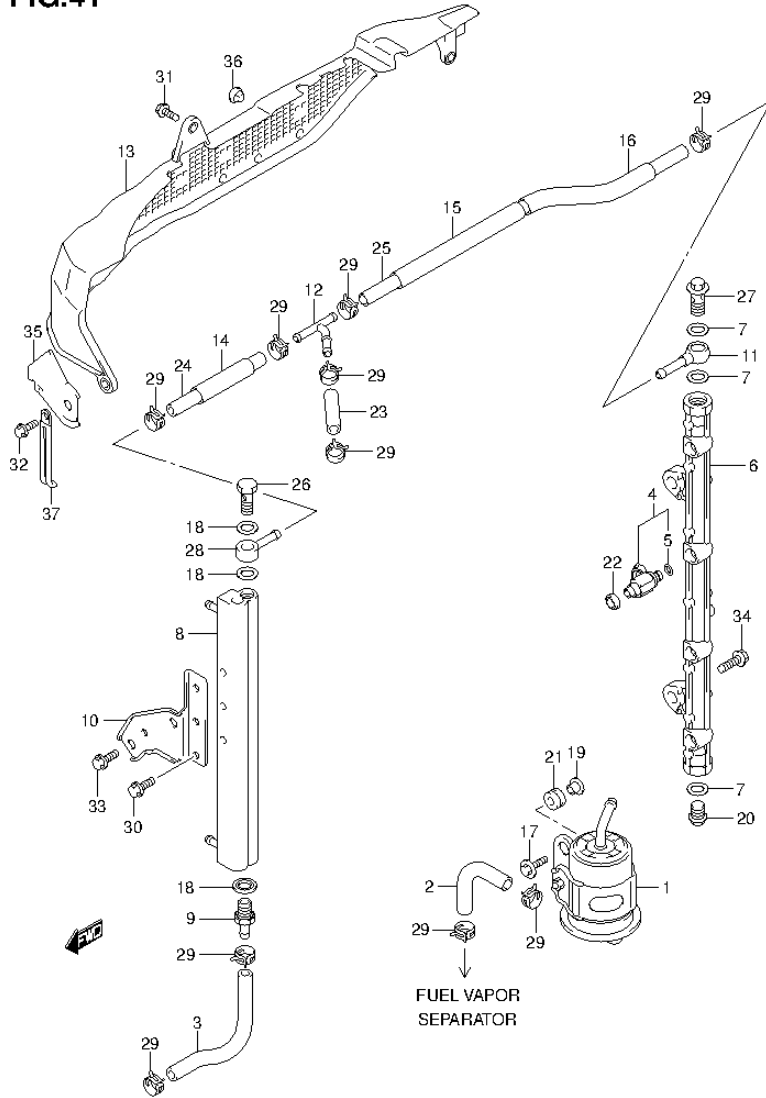


FIG.41 (1-F-5) FUEL INJECTOR (DF150Z E1)

REF NO.	PART NO.	DESCRIPTION	Q'TY	REMARKS
1	15440-96J01	FILTER, FUEL	1	
2	15681-87L00	HOSE (SEPARATOR TO FILTER)	1	
3	15681-96J11	HOSE (COOLER TO SEPARATOR)	1	
4	15710-96J00	INJECTOR ASSY, FUEL	4	
5	15717-16G00	.O RING	4	
6	15751-96J00	PIPE, DELIVERY	1	
7	15762-93J00	GASKET, DELIVERY PIPE	3	
8	15770-96J00	COOLER, FUEL	1	
9	15773-90J00	UNION, FUEL HOSE	1	
10	15790-96J00	BRACKET, FUEL COOLER	1	
11	15830-77EA0	UNION, DELIVERY PIPE	1	
12	15830-99E00	UNION, 3 WAY FUEL HOSE	1	
13	15851-96J01	GUARD, FUEL HOSE	1	
14	18498-99E20	PROTECTOR (15.4X18.4X450)	1	L:450->70
15	18498-93J00	PROTECTOR (15.4X18.4X340)	1	L:340->220
16	18498-99E20	PROTECTOR (15.4X18.4X450)	1	L:450->120
17	09116-06202	BOLT (6X25)	2	
18	09168-12013	GASKET (11.8X22X1.2)	3	
19	09169-06062	WASHER	2	
20	09247-14041	PLUG (14X14)	1	
21	09320-08501	CUSHION	2	
22	09320-08062	CUSHION	4	
23	09343-75001-600	HOSE (7.5X13.5X600)	1	L:600->50
24	09343-75001-600	HOSE (7.5X13.5X600)	1	L:600->120
25	09343-75001-600	HOSE (7.5X13.5X600)	1	L:600->430
26	09360-12008	UNION	1	
27	09360-14009	UNION	1	
28	09363-08004	UNION	1	
29	09401-11425	CLIP	10	
30	01550-06127	BOLT	3	
31	01550-06127	BOLT	1	
32	01550-06167	BOLT	2	
33	01550-08167	BOLT	2	
34	01550-08257	BOLT	2	

FIG.41

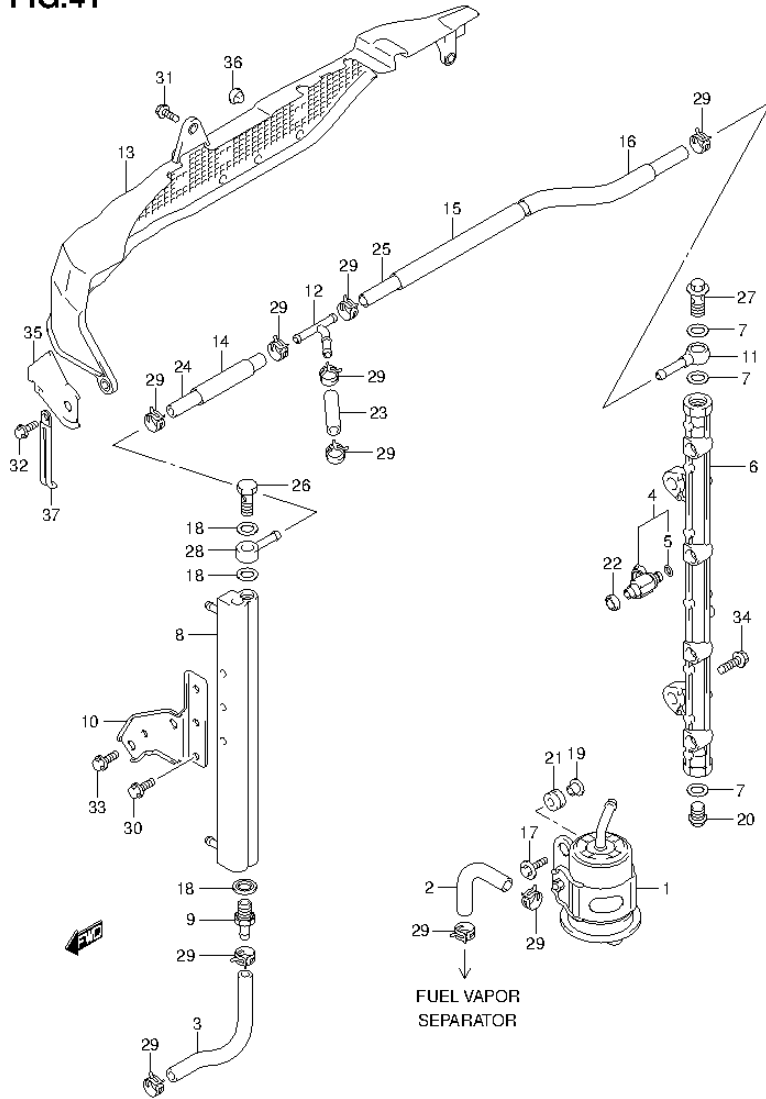


FIG.41 (1-F-6) FUEL INJECTOR (DF150Z E1)

REF NO.	PART NO.	DESCRIPTION	Q'TY	REMARKS
35	15852-96J00	GUIDE, FUEL HOSE GUARD	1	
36	09321-08005	CUSHION	3	
37	29404-93J20	CLAMP, FUEL HOSE GUARD	1	

FIG.42

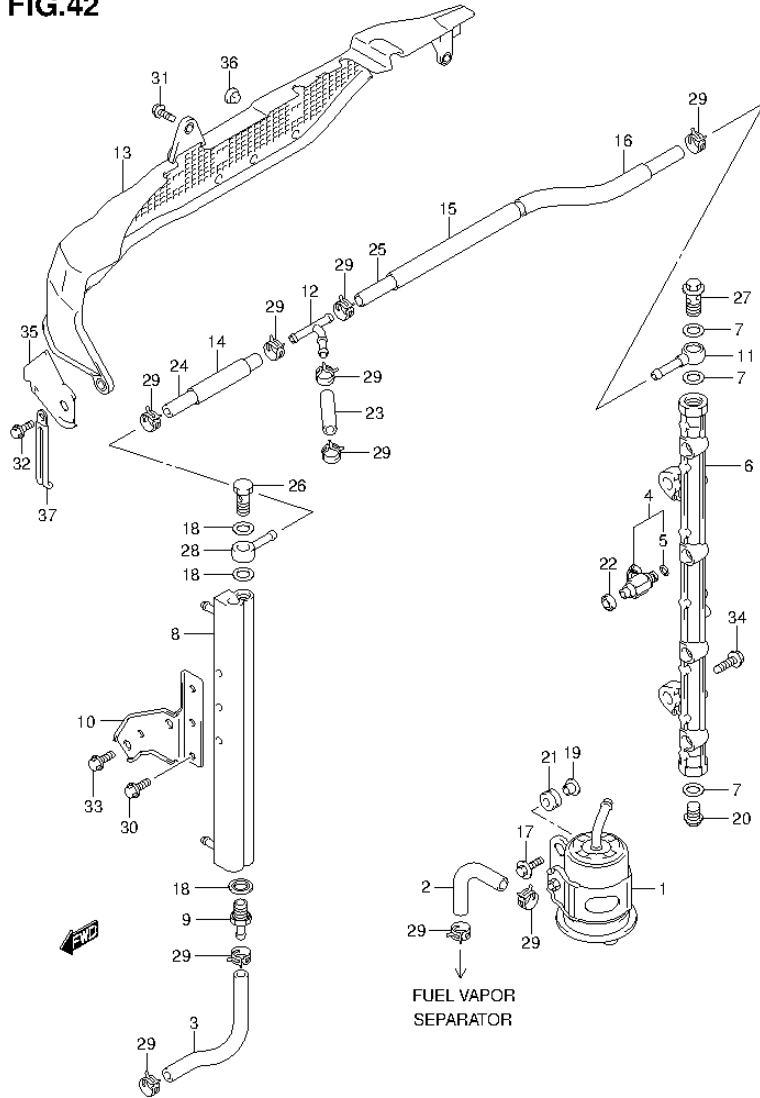


FIG.42 (1-F-7) FUEL INJECTOR (DF150Z E40)

REF NO.	PART NO.	DESCRIPTION	Q'TY	REMARKS
1	15440-96J11	FILTER, FUEL	1	
2	15681-87L00	HOSE (SEPARATOR TO FILTER)	1	
3	15681-96J11	HOSE (COOLER TO SEPARATOR)	1	
4	15710-96J00	INJECTOR ASSY, FUEL	4	
5	15717-16G00	.O RING	4	
6	15751-96J00	PIPE, DELIVERY	1	
7	15762-93J10	GASKET, DELIVERY PIPE	3	
8	15770-96J00	COOLER, FUEL	1	
9	15773-90J00	UNION, FUEL HOSE	1	
10	15790-96J00	BRACKET, FUEL COOLER	1	
11	15832-93J00	UNION, DELIVERY PIPE	1	
12	15830-99E00	UNION, 3 WAY FUEL HOSE	1	
13	15851-96J01	GUARD, FUEL HOSE	1	
14	18498-99E20	PROTECTOR (15.4X18.4X450)	1	L:450->70
15	18498-93J00	PROTECTOR (15.4X18.4X340)	1	L:340->220
16	18498-99E20	PROTECTOR (15.4X18.4X450)	1	L:450->120
17	09116-06202	BOLT (6X25)	2	
18	15762-90J00	GASKET	3	
19	09169-06062	WASHER	2	
20	09247-14042	PLUG (14X14)	1	
21	09320-08501	CUSHION	2	
22	09320-08062	CUSHION	4	
23	09343-75001-600	HOSE (7.5X13.5X600)	1	L:600->50
24	09343-75001-600	HOSE (7.5X13.5X600)	1	L:600->120
25	09343-75001-600	HOSE (7.5X13.5X600)	1	L:600->430
26	09360-12013	UNION	1	
27	09360-14014	UNION	1	
28	15830-90J00	UNION, FUEL COOLER	1	
29	09401-11425	CLIP	10	
30	01550-06127	BOLT	3	
31	01550-06127	BOLT	1	
32	01550-06167	BOLT	2	
33	01550-08167	BOLT	2	
34	01550-08257	BOLT	2	

FIG.42

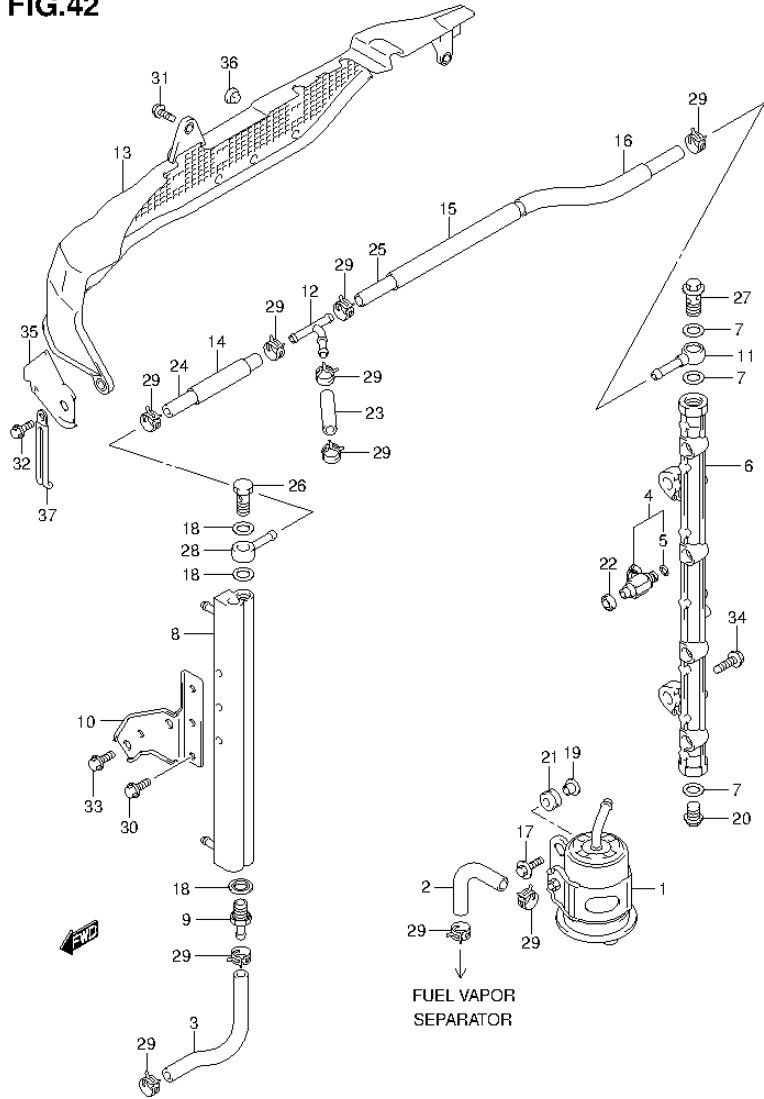


FIG.42 (1-F-8) FUEL INJECTOR (DF150Z E40)

REF NO.	PART NO.	DESCRIPTION	Q'TY	REMARKS
35	15852-96J00	GUIDE, FUEL HOSE GUARD	1	
36	09321-08005	CUSHION	3	
37	29404-93J20	CLAMP, FUEL HOSE GUARD	1	

FIG.43

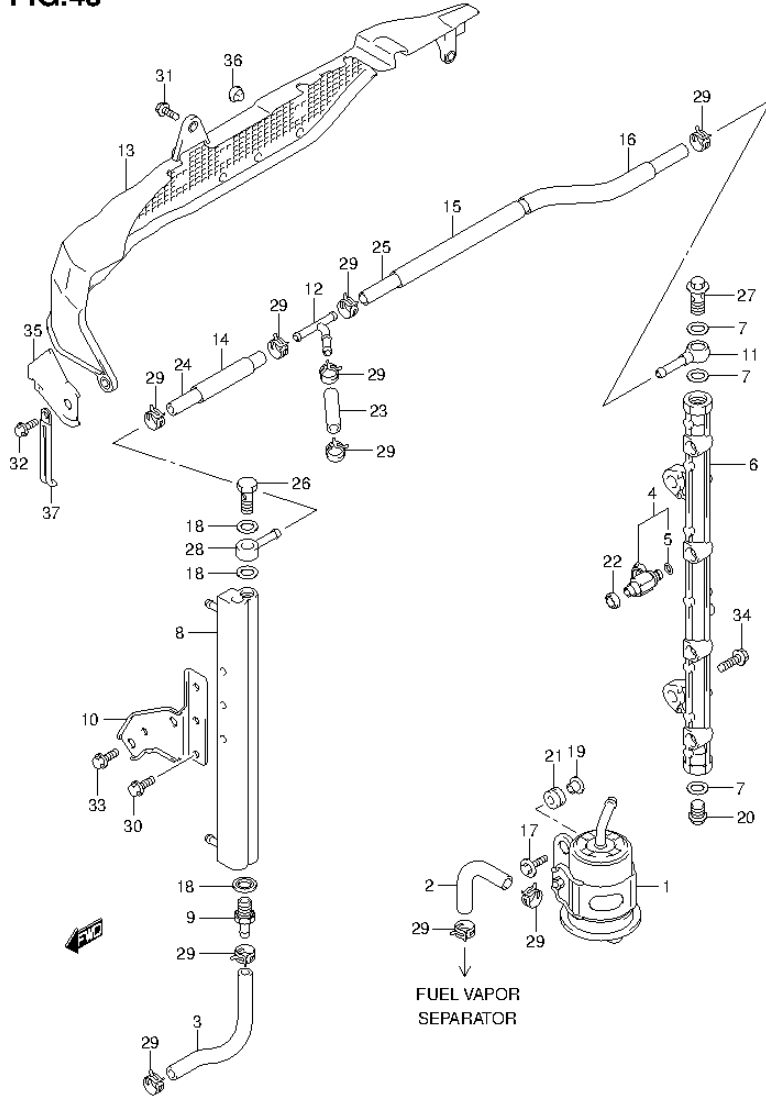


FIG.43 (1-F-9) FUEL INJECTOR (DF175T E1)

REF NO.	PART NO.	DESCRIPTION	Q'TY	REMARKS
1	15440-96J01	FILTER, FUEL	1	
2	15681-87L00	HOSE (SEPARATOR TO FILTER)	1	
3	15681-96J11	HOSE (COOLER TO SEPARATOR)	1	
4	15710-96J00	INJECTOR ASSY, FUEL	4	
5	15717-16G00	.O RING	4	
6	15751-96J00	PIPE, DELIVERY	1	
7	15762-93J00	GASKET, DELIVERY PIPE	3	
8	15770-96J00	COOLER, FUEL	1	
9	15773-90J00	UNION, FUEL HOSE	1	
10	15790-96J00	BRACKET, FUEL COOLER	1	
11	15830-77EA0	UNION, DELIVERY PIPE	1	
12	15830-99E00	UNION, 3 WAY FUEL HOSE	1	
13	15851-96J01	GUARD, FUEL HOSE	1	
14	18498-99E20	PROTECTOR (15.4X18.4X450)	1	L:450->70
15	18498-93J00	PROTECTOR (15.4X18.4X340)	1	L:340->220
16	18498-99E20	PROTECTOR (15.4X18.4X450)	1	L:450->120
17	09116-06202	BOLT (6X25)	2	
18	09168-12013	GASKET (11.8X22X1.2)	3	
19	09169-06062	WASHER	2	
20	09247-14041	PLUG (14X14)	1	
21	09320-08501	CUSHION	2	
22	09320-08062	CUSHION	4	
23	09343-75001-600	HOSE (7.5X13.5X600)	1	L:600->50
24	09343-75001-600	HOSE (7.5X13.5X600)	1	L:600->120
25	09343-75001-600	HOSE (7.5X13.5X600)	1	L:600->430
26	09360-12008	UNION	1	
27	09360-14009	UNION	1	
28	09363-08004	UNION	1	
29	09401-11425	CLIP	10	
30	01550-06127	BOLT	3	
31	01550-06127	BOLT	1	
32	01550-06167	BOLT	2	
33	01550-08167	BOLT	2	
34	01550-08257	BOLT	2	

FIG.43

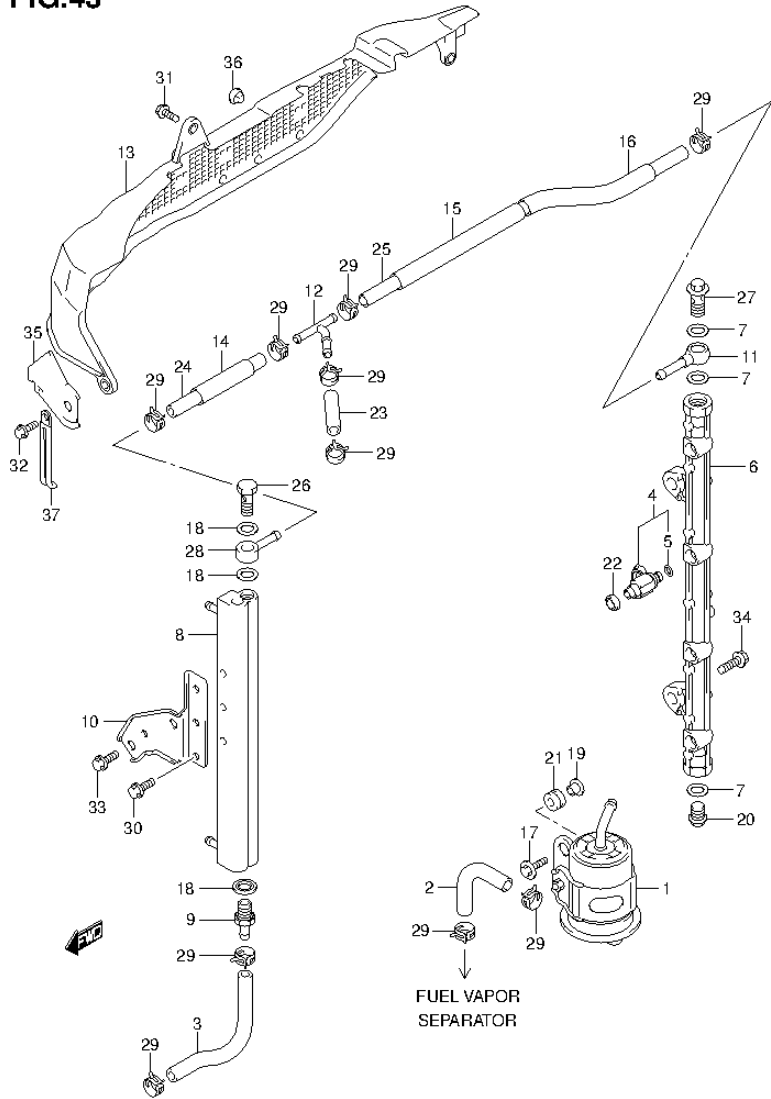


FIG.43 (1-F-10) FUEL INJECTOR (DF175T E1)

REF NO.	PART NO.	DESCRIPTION	Q'TY	REMARKS
35	15852-96J00	GUIDE, FUEL HOSE GUARD	1	
36	09321-08005	CUSHION	3	
37	29404-93J20	CLAMP, FUEL HOSE GUARD	1	

FIG.44

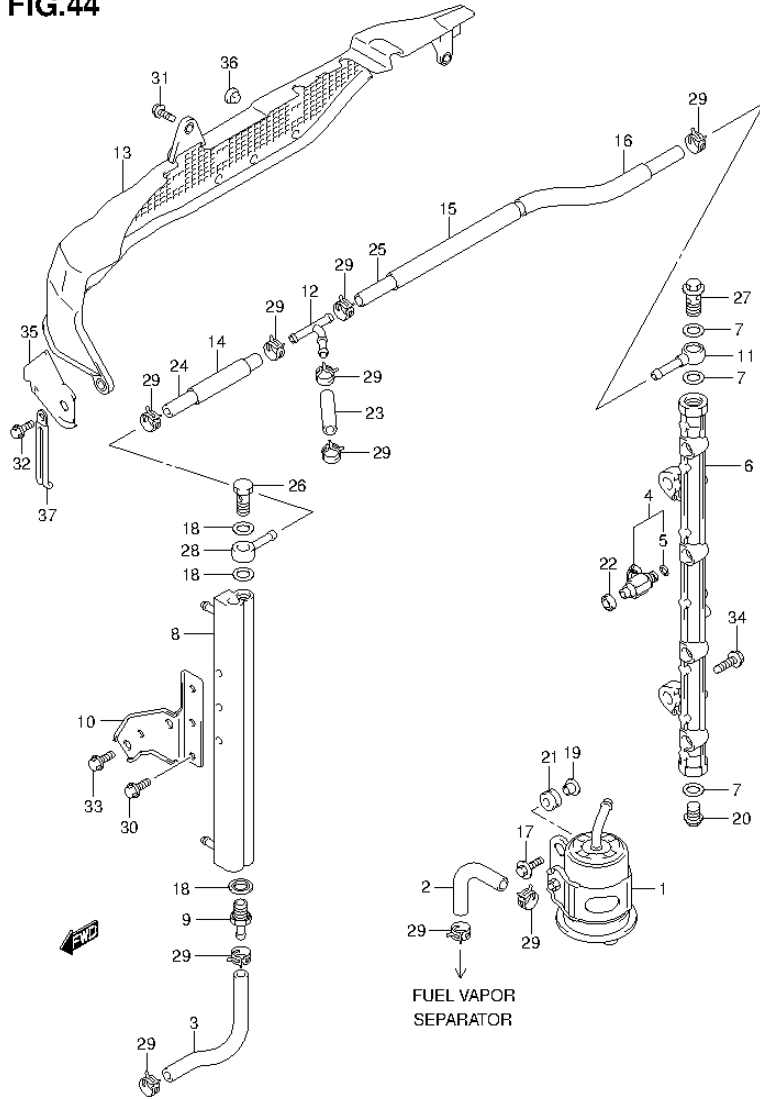


FIG.44 (1-F-11) FUEL INJECTOR (DF175T E40)

REF NO.	PART NO.	DESCRIPTION	Q'TY	REMARKS
1	15440-96J11	FILTER, FUEL	1	
2	15681-87L00	HOSE (SEPARATOR TO FILTER)	1	
3	15681-96J11	HOSE (COOLER TO SEPARATOR)	1	
4	15710-96J00	INJECTOR ASSY, FUEL	4	
5	15717-16G00	.O RING	4	
6	15751-96J00	PIPE, DELIVERY	1	
7	15762-93J10	GASKET, DELIVERY PIPE	3	
8	15770-96J00	COOLER, FUEL	1	
9	15773-90J00	UNION, FUEL HOSE	1	
10	15790-96J00	BRACKET, FUEL COOLER	1	
11	15832-93J00	UNION, DELIVERY PIPE	1	
12	15830-99E00	UNION, 3 WAY FUEL HOSE	1	
13	15851-96J01	GUARD, FUEL HOSE	1	
14	18498-99E20	PROTECTOR (15.4X18.4X450)	1	L:450->70
15	18498-93J00	PROTECTOR (15.4X18.4X340)	1	L:340->220
16	18498-99E20	PROTECTOR (15.4X18.4X450)	1	L:450->120
17	09116-06202	BOLT (6X25)	2	
18	15762-90J00	GASKET	3	
19	09169-06062	WASHER	2	
20	09247-14042	PLUG (14X14)	1	
21	09320-08501	CUSHION	2	
22	09320-08062	CUSHION	4	
23	09343-75001-600	HOSE (7.5X13.5X600)	1	L:600->50
24	09343-75001-600	HOSE (7.5X13.5X600)	1	L:600->120
25	09343-75001-600	HOSE (7.5X13.5X600)	1	L:600->430
26	09360-12013	UNION	1	
27	09360-14014	UNION	1	
28	15830-90J00	UNION, FUEL COOLER	1	
29	09401-11425	CLIP	10	
30	01550-06127	BOLT	3	
31	01550-06127	BOLT	1	
32	01550-06167	BOLT	2	
33	01550-08167	BOLT	2	
34	01550-08257	BOLT	2	





FIG.45

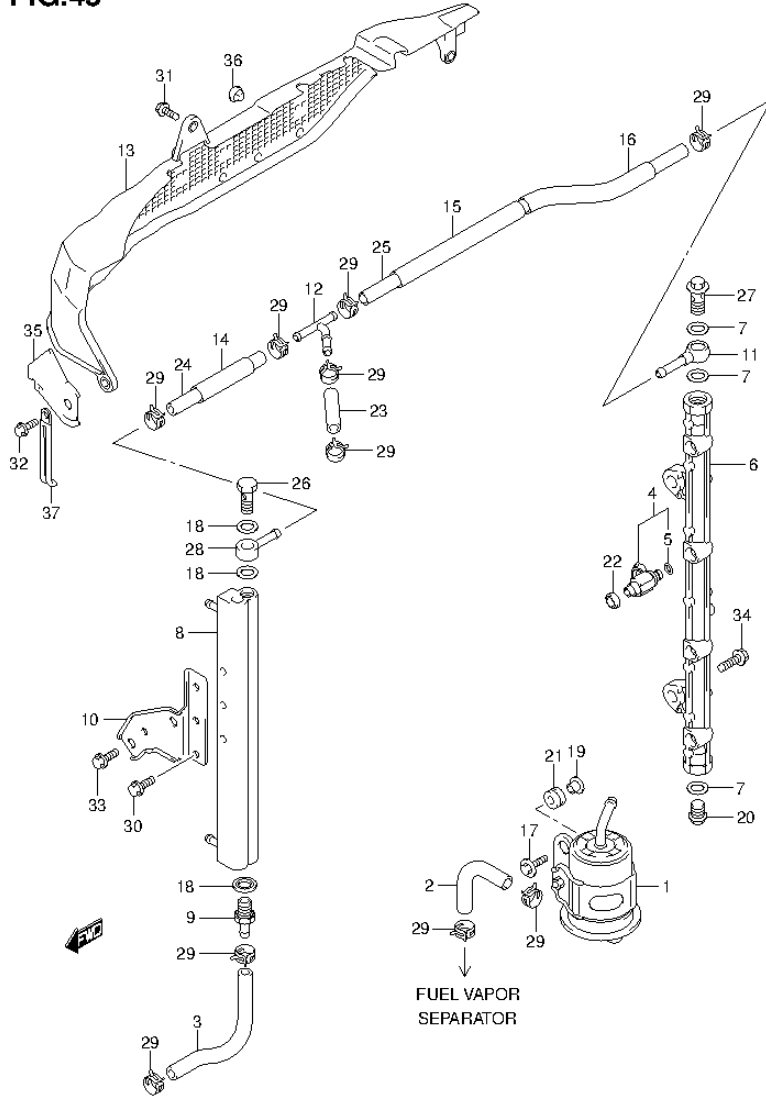


FIG.45 (1-F-13) FUEL INJECTOR (DF175Z E1)

REF NO.	PART NO.	DESCRIPTION	Q'TY	REMARKS
1	15440-96J01	FILTER, FUEL	1	
2	15681-87L00	HOSE (SEPARATOR TO FILTER)	1	
3	15681-96J11	HOSE (COOLER TO SEPARATOR)	1	
4	15710-96J00	INJECTOR ASSY, FUEL	4	
5	15717-16G00	.O RING	4	
6	15751-96J00	PIPE, DELIVERY	1	
7	15762-93J00	GASKET, DELIVERY PIPE	3	
8	15770-96J00	COOLER, FUEL	1	
9	15773-90J00	UNION, FUEL HOSE	1	
10	15790-96J00	BRACKET, FUEL COOLER	1	
11	15830-77EA0	UNION, DELIVERY PIPE	1	
12	15830-99E00	UNION, 3 WAY FUEL HOSE	1	
13	15851-96J01	GUARD, FUEL HOSE	1	
14	18498-99E20	PROTECTOR (15.4X18.4X450)	1	L:450->70
15	18498-93J00	PROTECTOR (15.4X18.4X340)	1	L:340->220
16	18498-99E20	PROTECTOR (15.4X18.4X450)	1	L:450->120
17	09116-06202	BOLT (6X25)	2	
18	09168-12013	GASKET (11.8X22X1.2)	3	
19	09169-06062	WASHER	2	
20	09247-14041	PLUG (14X14)	1	
21	09320-08501	CUSHION	2	
22	09320-08062	CUSHION	4	
23	09343-75001-600	HOSE (7.5X13.5X600)	1	L:600->50
24	09343-75001-600	HOSE (7.5X13.5X600)	1	L:600->120
25	09343-75001-600	HOSE (7.5X13.5X600)	1	L:600->430
26	09360-12008	UNION	1	
27	09360-14009	UNION	1	
28	09363-08004	UNION	1	
29	09401-11425	CLIP	10	
30	01550-06127	BOLT	3	
31	01550-06127	BOLT	1	
32	01550-06167	BOLT	2	
33	01550-08167	BOLT	2	
34	01550-08257	BOLT	2	



FIG.46

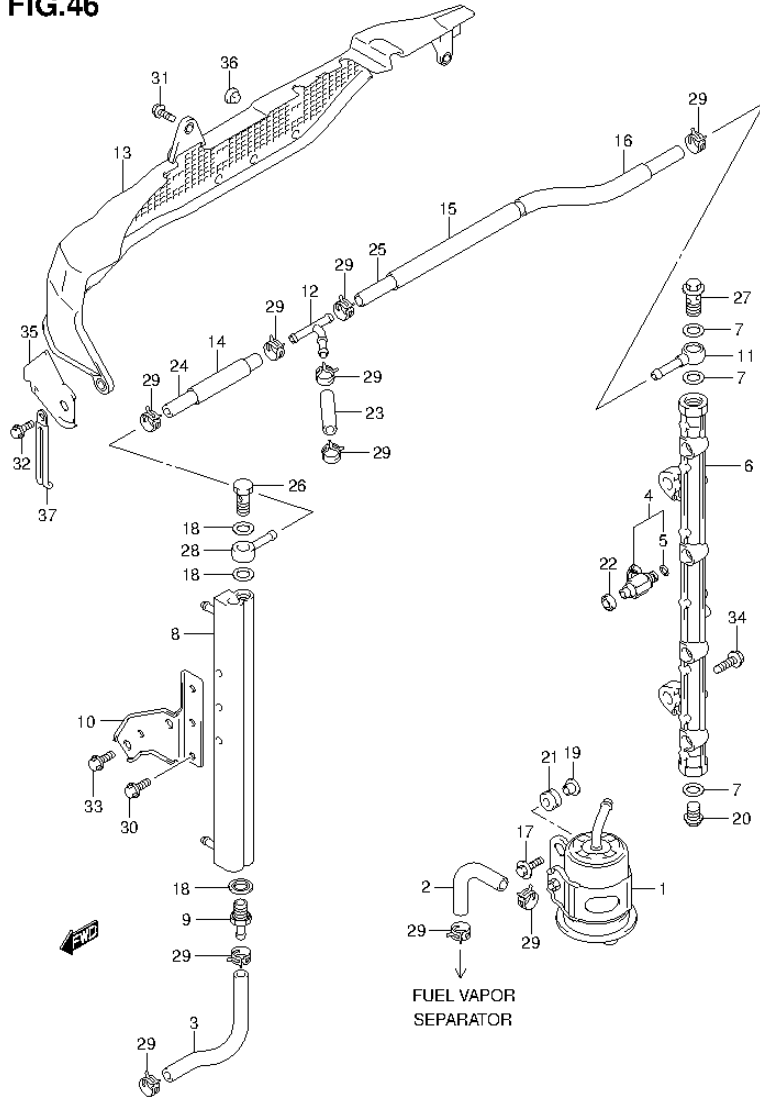


FIG.46 (1-F-15) FUEL INJECTOR (DF175Z E40)

REF NO.	PART NO.	DESCRIPTION	Q'TY	REMARKS
1	15440-96J11	FILTER, FUEL	1	
2	15681-87L00	HOSE (SEPARATOR TO FILTER)	1	
3	15681-96J11	HOSE (COOLER TO SEPARATOR)	1	
4	15710-96J00	INJECTOR ASSY, FUEL	4	
5	15717-16G00	.O RING	4	
6	15751-96J00	PIPE, DELIVERY	1	
7	15762-93J10	GASKET, DELIVERY PIPE	3	
8	15770-96J00	COOLER, FUEL	1	
9	15773-90J00	UNION, FUEL HOSE	1	
10	15790-96J00	BRACKET, FUEL COOLER	1	
11	15832-93J00	UNION, DELIVERY PIPE	1	
12	15830-99E00	UNION, 3 WAY FUEL HOSE	1	
13	15851-96J01	GUARD, FUEL HOSE	1	
14	18498-99E20	PROTECTOR (15.4X18.4X450)	1	L:450->70
15	18498-93J00	PROTECTOR (15.4X18.4X340)	1	L:340->220
16	18498-99E20	PROTECTOR (15.4X18.4X450)	1	L:450->120
17	09116-06202	BOLT (6X25)	2	
18	15762-90J00	GASKET	3	
19	09169-06062	WASHER	2	
20	09247-14042	PLUG (14X14)	1	
21	09320-08501	CUSHION	2	
22	09320-08062	CUSHION	4	
23	09343-75001-600	HOSE (7.5X13.5X600)	1	L:600->50
24	09343-75001-600	HOSE (7.5X13.5X600)	1	L:600->120
25	09343-75001-600	HOSE (7.5X13.5X600)	1	L:600->430
26	09360-12013	UNION	1	
27	09360-14014	UNION	1	
28	15830-90J00	UNION, FUEL COOLER	1	
29	09401-11425	CLIP	10	
30	01550-06127	BOLT	3	
31	01550-06127	BOLT	1	
32	01550-06167	BOLT	2	
33	01550-08167	BOLT	2	
34	01550-08257	BOLT	2	

FIG.46

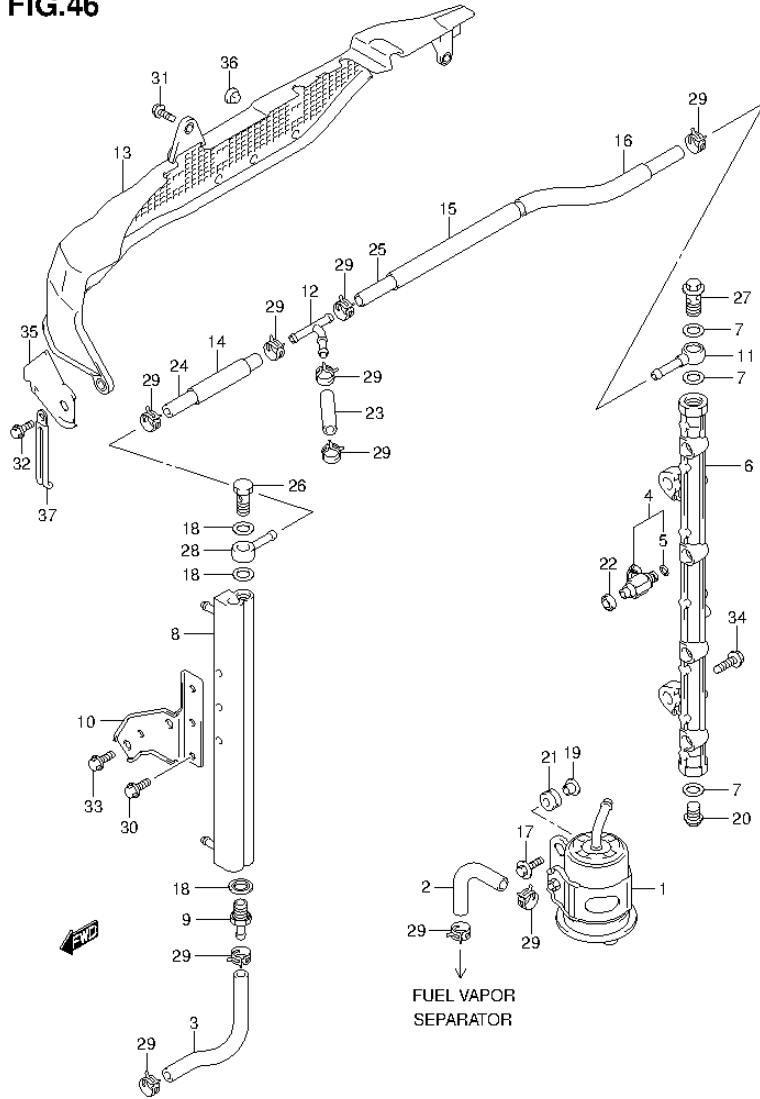


FIG.46 (1-G-2) FUEL INJECTOR (DF175Z E40)

REF NO.	PART NO.	DESCRIPTION	Q'TY	REMARKS
35	15852-96J00	GUIDE, FUEL HOSE GUARD	1	
36	09321-08005	CUSHION	3	
37	29404-93J20	CLAMP, FUEL HOSE GUARD	1	

FIG.47

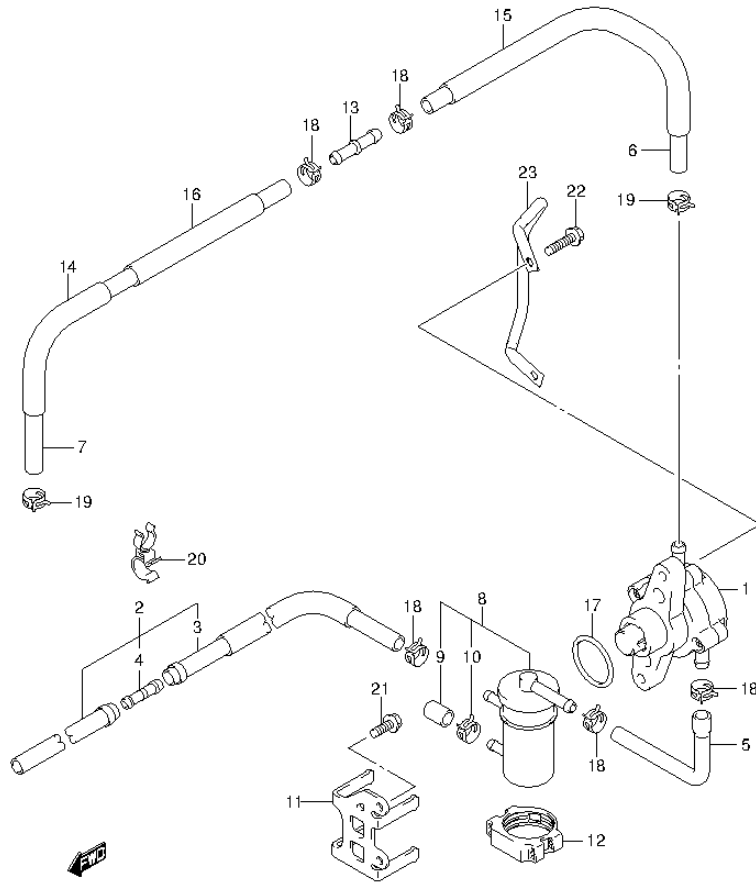


FIG.47 (1-G-3) FUEL PUMP (DF150T E1)

REF NO.	PART NO.	DESCRIPTION	Q'TY	REMARKS
1	15100-96J0V	PUMP ASSY, FUEL	1	
2	15190-96J21	HOSE, FUEL (CONN TO FILTER)	1	
3	18498-99E10	.PROTECTOR, FUEL HOSE (510)	1	
4	09367-10001	.JOINT	1	
5	15192-96J11	HOSE, FUEL (FILTER TO PUMP)	1	
6	15193-96J11	HOSE, FUEL (PUMP TO 2WAY)	1	
7	15194-96J11	HOSE, FUEL (2WAY TO SEPARATOR)	1	
8	15410-96J00	FILTER, FUEL	1	
9	15419-87J00	.CAP, FUEL FILTER	1	
10	09401-11423	.CLIP	1	
11	15421-96J00	BRACKET, FUEL FILTER	1	
12	15422-96J00	CLAMP, FUEL FILTER	1	
13	15831-96J00	UNION, 2 WAY FUEL HOSE	1	
14	18498-99E10	PROTECTOR (15.4X18.4X610)	1	L:610->230
15	18498-96J20	PROTECTOR (13.5X16.5X370)	1	
16	18498-99E10	PROTECTOR (15.4X18.4X610)	1	L:610->280
17	09280-33004	O RING (D:3.1,ID:32.7)	1	
18	09401-11423	CLIP	5	
19	09401-13424	CLIP	2	
20	09408-00105	CLAMP	2	
21	01550-06167	BOLT	2	
22	09103-06211	BOLT (6X25)	2	
23	13144-96J00	GUARD, FUEL PUMP	1	

FIG.48

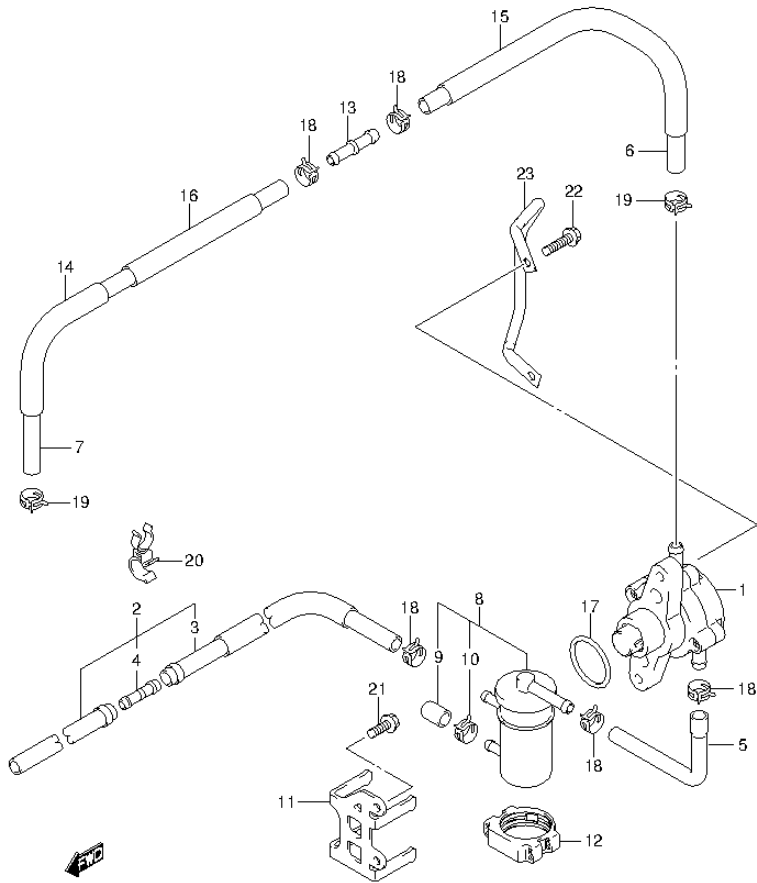


FIG.48 (1-G-4) FUEL PUMP (DF150T E40)

REF NO.	PART NO.	DESCRIPTION	Q'TY	REMARKS
1	15100-96J10	PUMP ASSY, FUEL	1	
2	15190-96J21	HOSE, FUEL (CONN TO FILTER)	1	
3	18498-99E10	.PROTECTOR, FUEL HOSE (510)	1	
4	09367-10001	.JOINT	1	
5	15192-96J11	HOSE, FUEL (FILTER TO PUMP)	1	
6	15193-96J11	HOSE, FUEL (PUMP TO 2WAY)	1	
7	15194-96J11	HOSE, FUEL (2WAY TO SEPARATOR)	1	
8	15410-96J00	FILTER, FUEL	1	
9	15419-87J00	.CAP, FUEL FILTER	1	
10	09401-11423	.CLIP	1	
11	15421-96J00	BRACKET, FUEL FILTER	1	
12	15422-96J00	CLAMP, FUEL FILTER	1	
13	15831-96J00	UNION, 2 WAY FUEL HOSE	1	
14	18498-99E10	PROTECTOR (15.4X18.4X610)	1	L:610->230
15	18498-96J20	PROTECTOR (13.5X16.5X370)	1	
16	18498-99E10	PROTECTOR (15.4X18.4X610)	1	L:610->280
17	09280-33004	O RING (D:3.1,ID:32.7)	1	
18	09401-11423	CLIP	5	
19	09401-13424	CLIP	2	
20	09408-00105	CLAMP	2	
21	01550-06167	BOLT	2	
22	09103-06211	BOLT (6X25)	2	
23	13144-96J00	GUARD, FUEL PUMP	1	

FIG.49

FIG.49 (1-G-5) FUEL PUMP (DF150Z E1)

REF NO.	PART NO.	DESCRIPTION	Q'TY	REMARKS
1	15100-96J0V	PUMP ASSY, FUEL	1	
2	15190-96J21	HOSE, FUEL (CONN TO FILTER)	1	
3	18498-99E10	.PROTECTOR, FUEL HOSE (510)	1	
4	09367-10001	.JOINT	1	
5	15192-96J11	HOSE, FUEL (FILTER TO PUMP)	1	
6	15193-96J11	HOSE, FUEL (PUMP TO 2WAY)	1	
7	15194-96J11	HOSE, FUEL (2WAY TO SEPARATOR)	1	
8	15410-96J00	FILTER, FUEL	1	
9	15419-87J00	.CAP, FUEL FILTER	1	
10	09401-11423	.CLIP	1	
11	15421-96J00	BRACKET, FUEL FILTER	1	
12	15422-96J00	CLAMP, FUEL FILTER	1	
13	15831-96J00	UNION, 2 WAY FUEL HOSE	1	
14	18498-99E10	PROTECTOR (15.4X18.4X610)	1	L:610->230
15	18498-96J20	PROTECTOR (13.5X16.5X370)	1	
16	18498-99E10	PROTECTOR (15.4X18.4X610)	1	L:610->280
17	09280-33004	O RING (D:3.1,ID:32.7)	1	
18	09401-11423	CLIP	5	
19	09401-13424	CLIP	2	
20	09408-00105	CLAMP	2	
21	01550-06167	BOLT	2	
22	09103-06211	BOLT (6X25)	2	
23	13144-96J00	GUARD, FUEL PUMP	1	

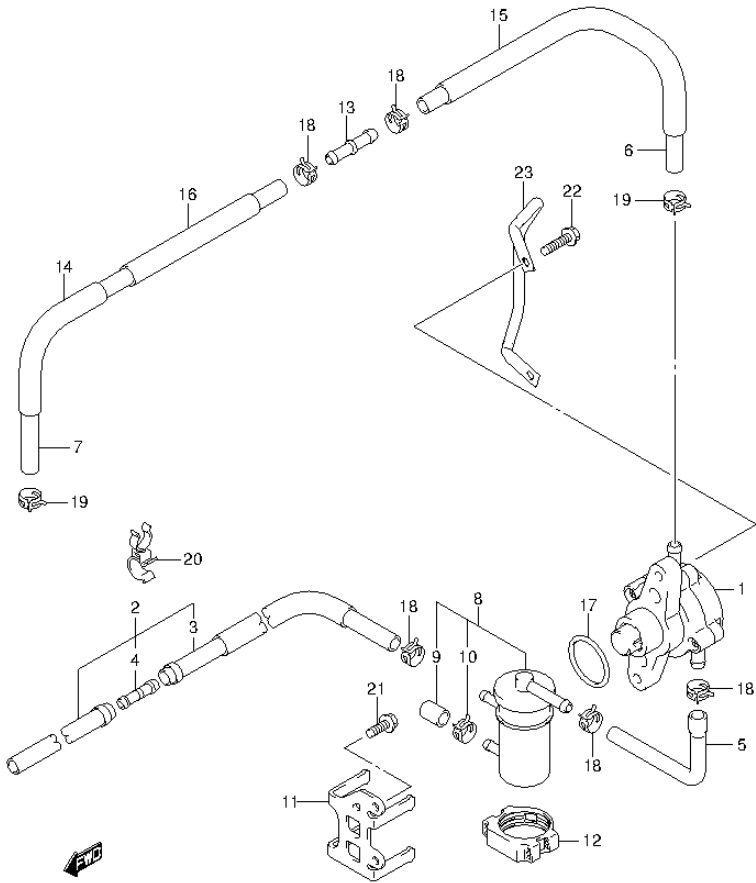




FIG.50

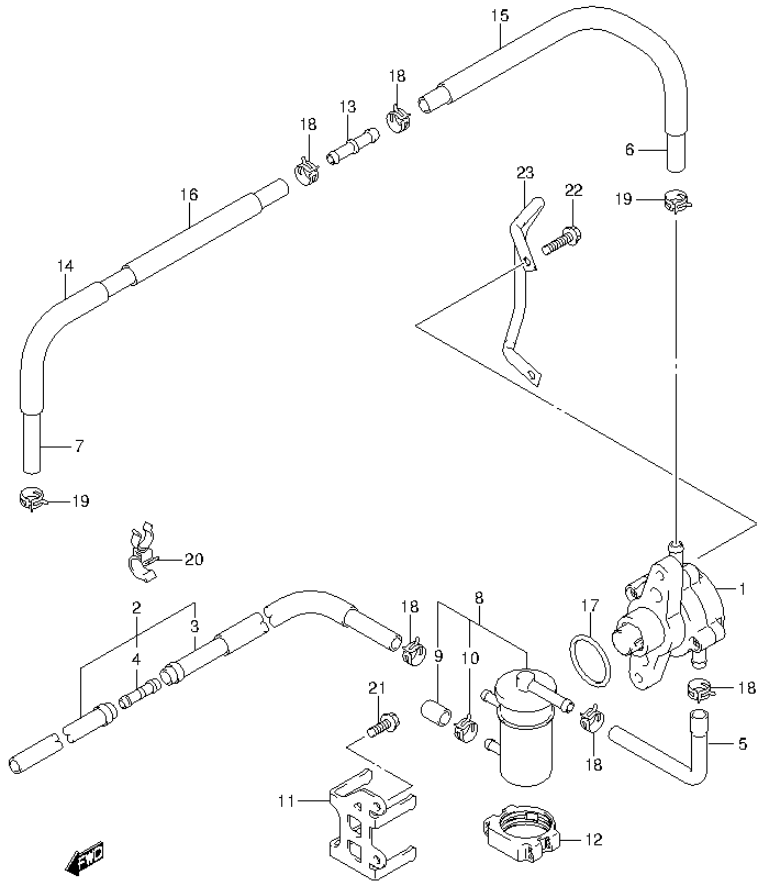


FIG.50 (1-G-6) FUEL PUMP (DF150Z E40)

REF NO.	PART NO.	DESCRIPTION	Q'TY	REMARKS
1	15100-96J10	PUMP ASSY, FUEL	1	
2	15190-96J21	HOSE, FUEL (CONN TO FILTER)	1	
3	18498-99E10	.PROTECTOR, FUEL HOSE (510)	1	
4	09367-10001	.JOINT	1	
5	15192-96J11	HOSE, FUEL (FILTER TO PUMP)	1	
6	15193-96J11	HOSE, FUEL (PUMP TO 2WAY)	1	
7	15194-96J11	HOSE, FUEL (2WAY TO SEPARATOR)	1	
8	15410-96J00	FILTER, FUEL	1	
9	15419-87J00	.CAP, FUEL FILTER	1	
10	09401-11423	.CLIP	1	
11	15421-96J00	BRACKET, FUEL FILTER	1	
12	15422-96J00	CLAMP, FUEL FILTER	1	
13	15831-96J00	UNION, 2 WAY FUEL HOSE	1	
14	18498-99E10	PROTECTOR (15.4X18.4X610)	1	L:610->230
15	18498-96J20	PROTECTOR (13.5X16.5X370)	1	
16	18498-99E10	PROTECTOR (15.4X18.4X610)	1	L:610->280
17	09280-33004	O RING (D:3.1,ID:32.7)	1	
18	09401-11423	CLIP	5	
19	09401-13424	CLIP	2	
20	09408-00105	CLAMP	2	
21	01550-06167	BOLT	2	
22	09103-06211	BOLT (6X25)	2	
23	13144-96J00	GUARD, FUEL PUMP	1	

FIG.51

FIG.51 (1-G-7) FUEL PUMP (DF175T E1)

REF NO.	PART NO.	DESCRIPTION	Q'TY	REMARKS
1	15100-96J0V	PUMP ASSY, FUEL	1	
2	15190-96J21	HOSE, FUEL (CONN TO FILTER)	1	
3	18498-99E10	.PROTECTOR, FUEL HOSE (510)	1	
4	09367-10001	.JOINT	1	
5	15192-96J11	HOSE, FUEL (FILTER TO PUMP)	1	
6	15193-96J11	HOSE, FUEL (PUMP TO 2WAY)	1	
7	15194-96J11	HOSE, FUEL (2WAY TO SEPARATOR)	1	
8	15410-96J00	FILTER, FUEL	1	
9	15419-87J00	.CAP, FUEL FILTER	1	
10	09401-11423	.CLIP	1	
11	15421-96J00	BRACKET, FUEL FILTER	1	
12	15422-96J00	CLAMP, FUEL FILTER	1	
13	15831-96J00	UNION, 2 WAY FUEL HOSE	1	
14	18498-99E10	PROTECTOR (15.4X18.4X610)	1	L:610->230
15	18498-96J20	PROTECTOR (13.5X16.5X370)	1	
16	18498-99E10	PROTECTOR (15.4X18.4X610)	1	L:610->280
17	09280-33004	O RING (D:3.1,ID:32.7)	1	
18	09401-11423	CLIP	5	
19	09401-13424	CLIP	2	
20	09408-00105	CLAMP	2	
21	01550-06167	BOLT	2	
22	09103-06211	BOLT (6X25)	2	
23	13144-96J00	GUARD, FUEL PUMP	1	

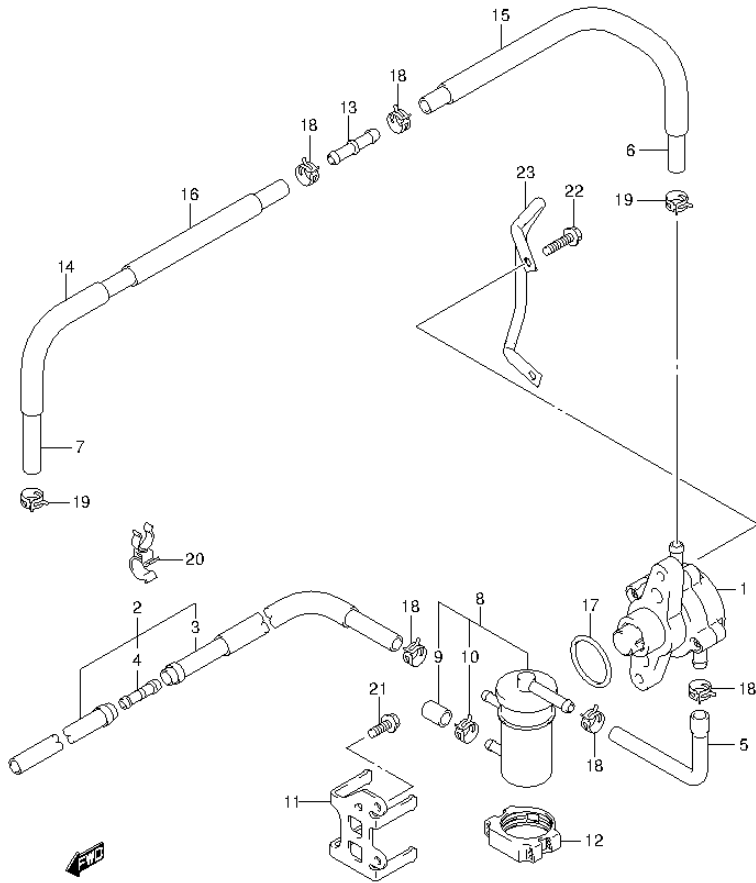


FIG.52

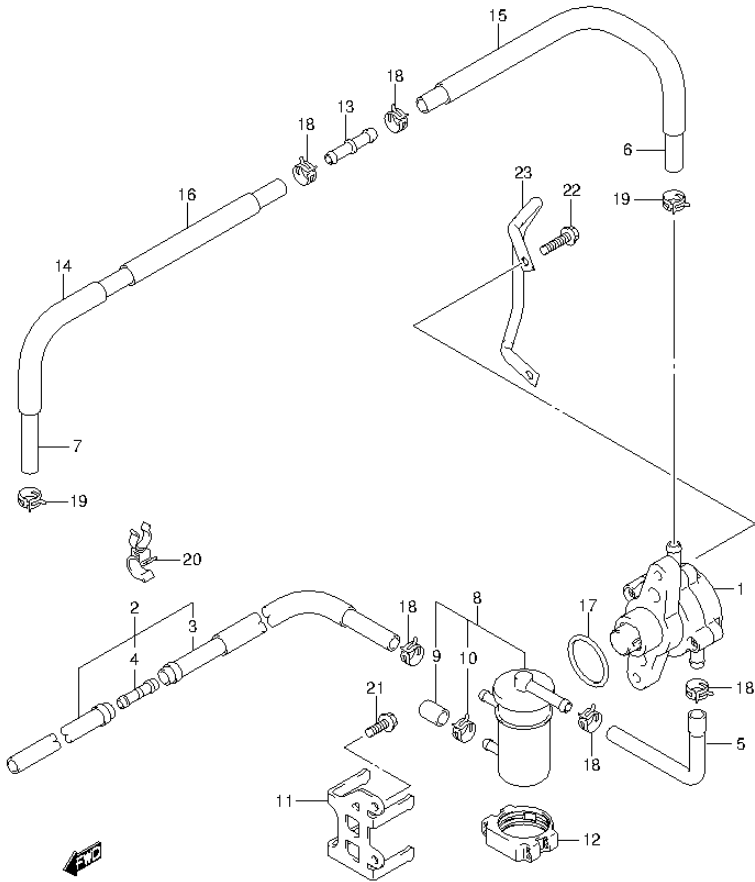


FIG.52 (1-G-8) FUEL PUMP (DF175T E40)

REF NO.	PART NO.	DESCRIPTION	Q'TY	REMARKS
1	15100-96J10	PUMP ASSY, FUEL	1	
2	15190-96J21	HOSE, FUEL (CONN TO FILTER)	1	
3	18498-99E10	.PROTECTOR, FUEL HOSE (510)	1	
4	09367-10001	.JOINT	1	
5	15192-96J11	HOSE, FUEL (FILTER TO PUMP)	1	
6	15193-96J11	HOSE, FUEL (PUMP TO 2WAY)	1	
7	15194-96J11	HOSE, FUEL (2WAY TO SEPARATOR)	1	
8	15410-96J00	FILTER, FUEL	1	
9	15419-87J00	.CAP, FUEL FILTER	1	
10	09401-11423	.CLIP	1	
11	15421-96J00	BRACKET, FUEL FILTER	1	
12	15422-96J00	CLAMP, FUEL FILTER	1	
13	15831-96J00	UNION, 2 WAY FUEL HOSE	1	
14	18498-99E10	PROTECTOR (15.4X18.4X610)	1	L:610->230
15	18498-96J20	PROTECTOR (13.5X16.5X370)	1	
16	18498-99E10	PROTECTOR (15.4X18.4X610)	1	L:610->280
17	09280-33004	O RING (D:3.1,ID:32.7)	1	
18	09401-11423	CLIP	5	
19	09401-13424	CLIP	2	
20	09408-00105	CLAMP	2	
21	01550-06167	BOLT	2	
22	09103-06211	BOLT (6X25)	2	
23	13144-96J00	GUARD, FUEL PUMP	1	

FIG.53

FIG.53 (1-G-9) FUEL PUMP (DF175Z E1)

REF NO.	PART NO.	DESCRIPTION	Q'TY	REMARKS
1	15100-96J0V	PUMP ASSY, FUEL	1	
2	15190-96J21	HOSE, FUEL (CONN TO FILTER)	1	
3	18498-99E10	.PROTECTOR, FUEL HOSE (510)	1	
4	09367-10001	.JOINT	1	
5	15192-96J11	HOSE, FUEL (FILTER TO PUMP)	1	
6	15193-96J11	HOSE, FUEL (PUMP TO 2WAY)	1	
7	15194-96J11	HOSE, FUEL (2WAY TO SEPARATOR)	1	
8	15410-96J00	FILTER, FUEL	1	
9	15419-87J00	.CAP, FUEL FILTER	1	
10	09401-11423	.CLIP	1	
11	15421-96J00	BRACKET, FUEL FILTER	1	
12	15422-96J00	CLAMP, FUEL FILTER	1	
13	15831-96J00	UNION, 2 WAY FUEL HOSE	1	
14	18498-99E10	PROTECTOR (15.4X18.4X610)	1	L:610->230
15	18498-96J20	PROTECTOR (13.5X16.5X370)	1	
16	18498-99E10	PROTECTOR (15.4X18.4X610)	1	L:610->280
17	09280-33004	O RING (D:3.1,ID:32.7)	1	
18	09401-11423	CLIP	5	
19	09401-13424	CLIP	2	
20	09408-00105	CLAMP	2	
21	01550-06167	BOLT	2	
22	09103-06211	BOLT (6X25)	2	
23	13144-96J00	GUARD, FUEL PUMP	1	

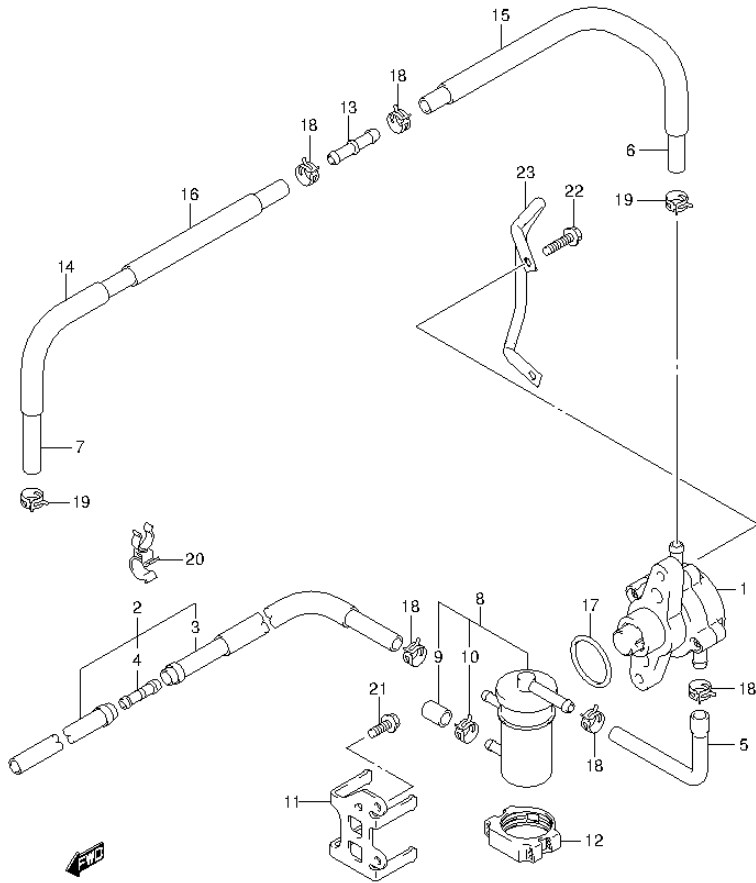


FIG.54

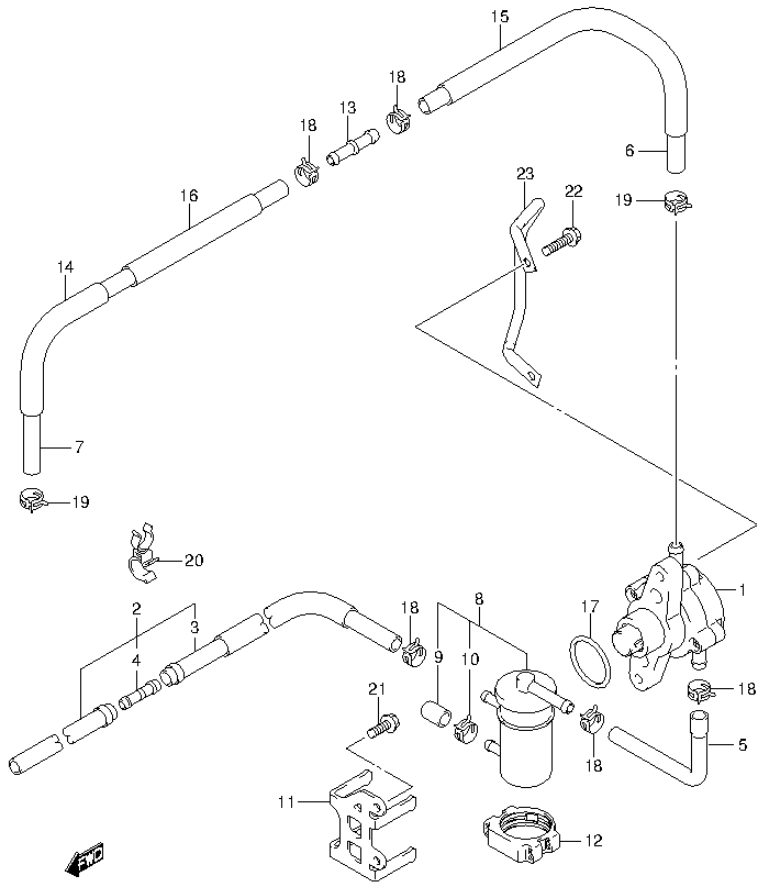


FIG.54 (1-G-10) FUEL PUMP (DF175Z E40)

REF NO.	PART NO.	DESCRIPTION	Q'TY	REMARKS
1	15100-96J10	PUMP ASSY, FUEL	1	
2	15190-96J21	HOSE, FUEL (CONN TO FILTER)	1	
3	18498-99E10	.PROTECTOR, FUEL HOSE (510)	1	
4	09367-10001	.JOINT	1	
5	15192-96J11	HOSE, FUEL (FILTER TO PUMP)	1	
6	15193-96J11	HOSE, FUEL (PUMP TO 2WAY)	1	
7	15194-96J11	HOSE, FUEL (2WAY TO SEPARATOR)	1	
8	15410-96J00	FILTER, FUEL	1	
9	15419-87J00	.CAP, FUEL FILTER	1	
10	09401-11423	.CLIP	1	
11	15421-96J00	BRACKET, FUEL FILTER	1	
12	15422-96J00	CLAMP, FUEL FILTER	1	
13	15831-96J00	UNION, 2 WAY FUEL HOSE	1	
14	18498-99E10	PROTECTOR (15.4X18.4X610)	1	L:610->230
15	18498-96J20	PROTECTOR (13.5X16.5X370)	1	
16	18498-99E10	PROTECTOR (15.4X18.4X610)	1	L:610->280
17	09280-33004	O RING (D:3.1,ID:32.7)	1	
18	09401-11423	CLIP	5	
19	09401-13424	CLIP	2	
20	09408-00105	CLAMP	2	
21	01550-06167	BOLT	2	
22	09103-06211	BOLT (6X25)	2	
23	13144-96J00	GUARD, FUEL PUMP	1	

FIG.55

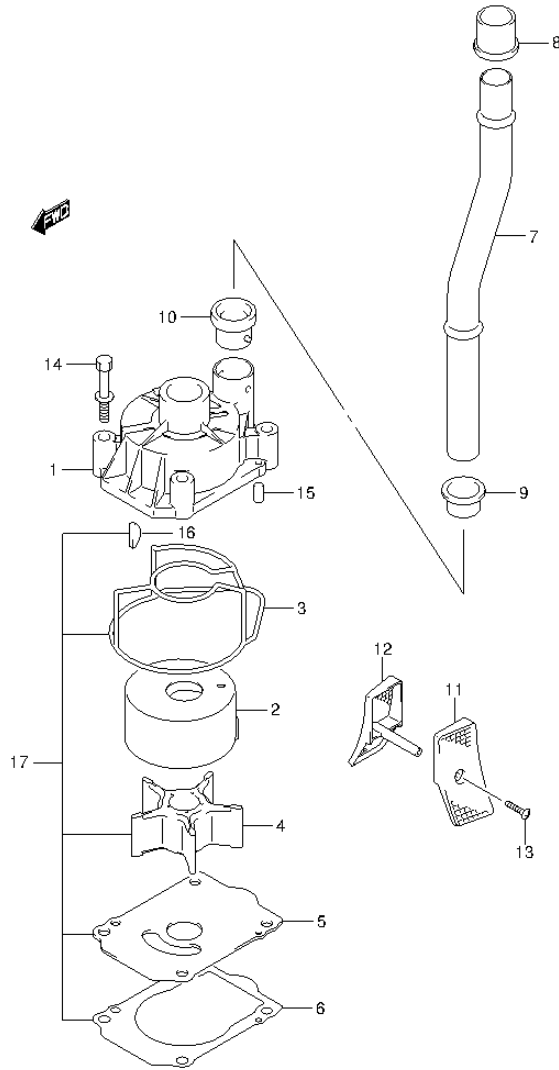


FIG.55 (1-G-11) WATER PUMP (DF150T E1)

REF NO.	PART NO.	DESCRIPTION	Q'TY	REMARKS
1	17411-96J01	CASE, WATER PUMP	1	
2	17413-96J01	SLEEVE, PUMP CASE	1	
3	17416-96J00	SEALING, PUMP CASE	1	
4	17461-90J01	IMPELLER, WATER PUMP	1	
5	17471-93J02	PANEL, PUMP CASE UNDER	1	
6	17472-93J00	GASKET, PUMP CASE PANEL	1	
7-1	17560-96J00	TUBE, WATER (L)	1	W/TRANSOM(L)
7-2	17561-96J10	TUBE, WATER (X)	1	W/TRANSOM(X)
8	17562-93J00	BUSH, WATER TUBE UPPER	1	
9	17563-93J00	BUSH, WATER TUBE LOWER	1	
10	17564-93J00	BUSH, WATER PUMP CASE	1	
11-1	17631-93J20	FILTER, WATER PORT SIDE	1	
11-2	17631-93J30	FILTER, WATER PORT SIDE	1	OPT
12-1	17632-93J20	FILTER, WATER STBD SIDE	1	
12-2	17632-93J30	FILTER, WATER STBD SIDE	1	OPT
13	09132-04034	SCREW (4X18)	1	
14	09116-08131	BOLT (8X45)	4	
15	09202-06031	PIN (6X12)	2	
16	09420-05009	KEY	1	
17	17400-96J02	WATER PUMP REPAIR KIT	1	OPT

FIG.56

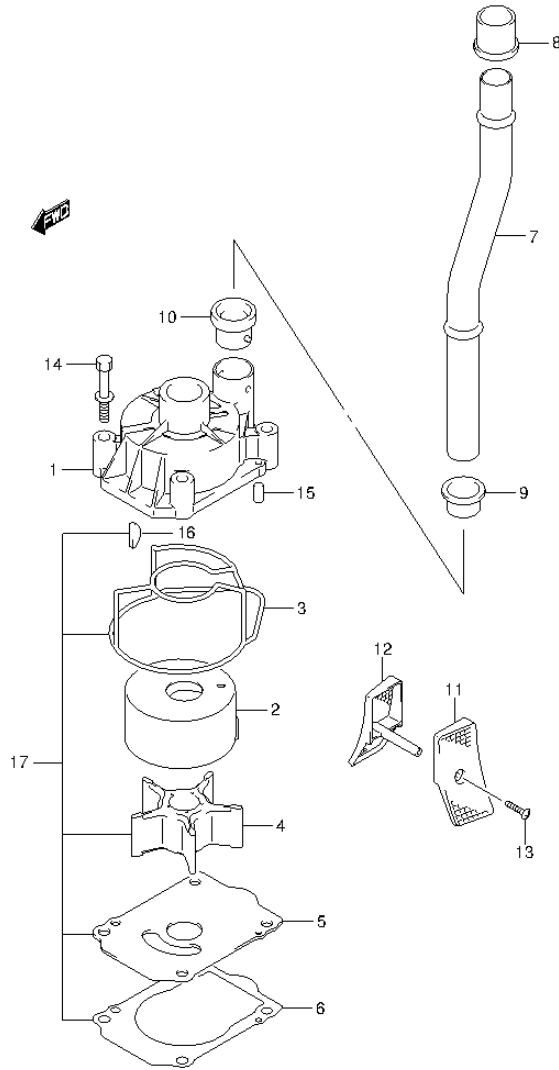


FIG.56 (1-G-12) WATER PUMP (DF150T E40)

REF NO.	PART NO.	DESCRIPTION	Q'TY	REMARKS
1	17411-96J01	CASE, WATER PUMP	1	
2	17413-96J11	SLEEVE, PUMP CASE	1	
3	17416-96J00	SEALING, PUMP CASE	1	
4	17461-90J01	IMPELLER, WATER PUMP	1	
5	17471-93J12	PANEL, PUMP CASE UNDER	1	
6	17472-93J00	GASKET, PUMP CASE PANEL	1	
7-1	17560-96J00	TUBE, WATER (L)	1	W/TRANSOM(L)
7-2	17561-96J10	TUBE, WATER (X)	1	W/TRANSOM(X)
8	17562-93J00	BUSH, WATER TUBE UPPER	1	
9	17563-93J00	BUSH, WATER TUBE LOWER	1	
10	17564-93J00	BUSH, WATER PUMP CASE	1	
11-1	17631-93J20	FILTER, WATER PORT SIDE	1	
11-2	17631-93J30	FILTER, WATER PORT SIDE	1	OPT
12-1	17632-93J20	FILTER, WATER STBD SIDE	1	
12-2	17632-93J30	FILTER, WATER STBD SIDE	1	OPT
13	09132-04034	SCREW (4X18)	1	
14	09116-08131	BOLT (8X45)	4	
15	09202-06031	PIN (6X12)	2	
16	09420-05009	KEY	1	
17	17400-96J02	WATER PUMP REPAIR KIT	1	OPT

FIG.57

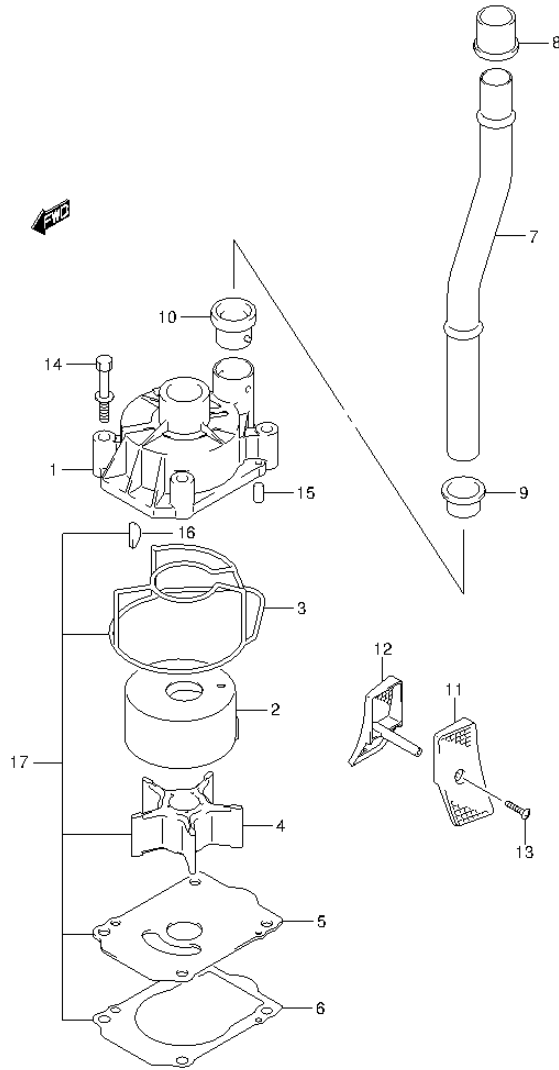


FIG.57 (1-G-13) WATER PUMP (DF150Z E1)

REF NO.	PART NO.	DESCRIPTION	Q'TY	REMARKS
1	17411-96J01	CASE, WATER PUMP	1	
2	17413-96J01	SLEEVE, PUMP CASE	1	
3	17416-96J00	SEALING, PUMP CASE	1	
4	17461-90J01	IMPELLER, WATER PUMP	1	
5	17471-93J02	PANEL, PUMP CASE UNDER	1	
6	17472-93J00	GASKET, PUMP CASE PANEL	1	
7-1	17560-96J00	TUBE, WATER (L)	1	W/TRANSOM(L)
7-2	17561-96J10	TUBE, WATER (X)	1	W/TRANSOM(X)
8	17562-93J00	BUSH, WATER TUBE UPPER	1	
9	17563-93J00	BUSH, WATER TUBE LOWER	1	
10	17564-93J00	BUSH, WATER PUMP CASE	1	
11-1	17631-93J20	FILTER, WATER PORT SIDE	1	
11-2	17631-93J30	FILTER, WATER PORT SIDE	1	OPT
12-1	17632-93J20	FILTER, WATER STBD SIDE	1	
12-2	17632-93J30	FILTER, WATER STBD SIDE	1	OPT
13	09132-04034	SCREW (4X18)	1	
14	09116-08131	BOLT (8X45)	4	
15	09202-06031	PIN (6X12)	2	
16	09420-05009	KEY	1	
17	17400-96J02	WATER PUMP REPAIR KIT	1	OPT



FIG.58

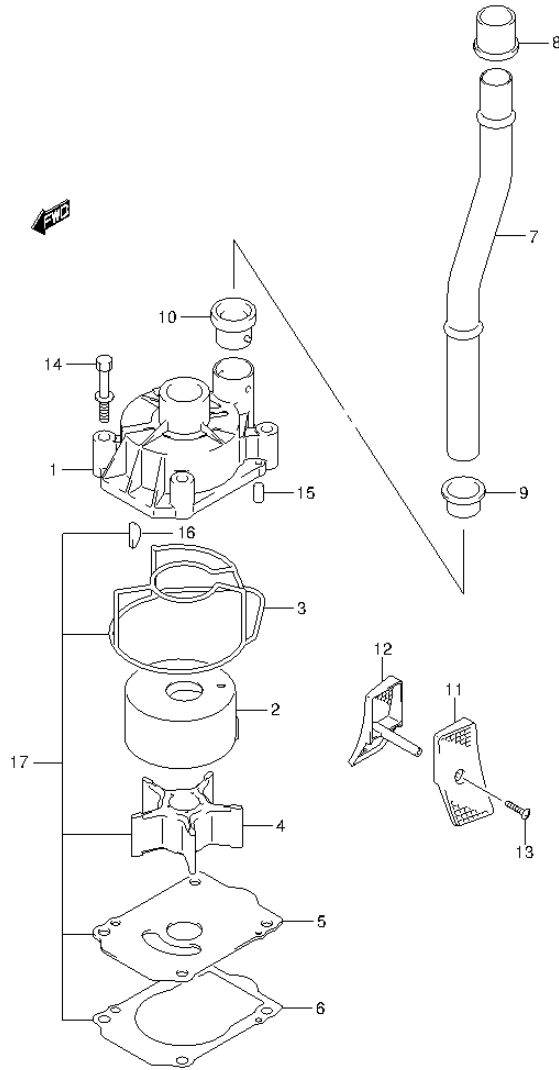


FIG.58 (1-G-14) WATER PUMP (DF150Z E40)

REF NO.	PART NO.	DESCRIPTION	Q'TY	REMARKS
1	17411-96J01	CASE, WATER PUMP	1	
2	17413-96J11	SLEEVE, PUMP CASE	1	
3	17416-96J00	SEALING, PUMP CASE	1	
4	17461-90J01	IMPELLER, WATER PUMP	1	
5	17471-93J12	PANEL, PUMP CASE UNDER	1	
6	17472-93J00	GASKET, PUMP CASE PANEL	1	
7-1	17560-96J00	TUBE, WATER (L)	1	W/TRANSOM(L)
7-2	17561-96J10	TUBE, WATER (X)	1	W/TRANSOM(X)
8	17562-93J00	BUSH, WATER TUBE UPPER	1	
9	17563-93J00	BUSH, WATER TUBE LOWER	1	
10	17564-93J00	BUSH, WATER PUMP CASE	1	
11-1	17631-93J20	FILTER, WATER PORT SIDE	1	
11-2	17631-93J30	FILTER, WATER PORT SIDE	1	OPT
12-1	17632-93J20	FILTER, WATER STBD SIDE	1	
12-2	17632-93J30	FILTER, WATER STBD SIDE	1	OPT
13	09132-04034	SCREW (4X18)	1	
14	09116-08131	BOLT (8X45)	4	
15	09202-06031	PIN (6X12)	2	
16	09420-05009	KEY	1	
17	17400-96J02	WATER PUMP REPAIR KIT	1	OPT

FIG.59

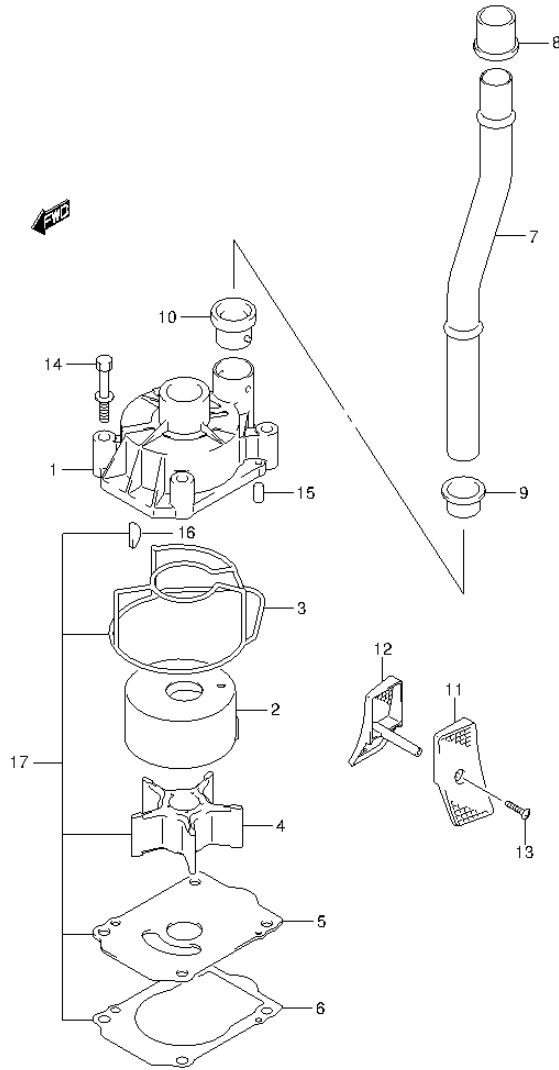


FIG.59 (1-G-15) WATER PUMP (DF175T E1)

REF NO.	PART NO.	DESCRIPTION	Q'TY	REMARKS
1	17411-96J01	CASE, WATER PUMP	1	
2	17413-96J01	SLEEVE, PUMP CASE	1	
3	17416-96J00	SEALING, PUMP CASE	1	
4	17461-90J01	IMPELLER, WATER PUMP	1	
5	17471-93J02	PANEL, PUMP CASE UNDER	1	
6	17472-93J00	GASKET, PUMP CASE PANEL	1	
7-1	17560-96J00	TUBE, WATER (L)	1	W/TRANSOM(L)
7-2	17561-96J10	TUBE, WATER (X)	1	W/TRANSOM(X)
8	17562-93J00	BUSH, WATER TUBE UPPER	1	
9	17563-93J00	BUSH, WATER TUBE LOWER	1	
10	17564-93J00	BUSH, WATER PUMP CASE	1	
11-1	17631-93J20	FILTER, WATER PORT SIDE	1	
11-2	17631-93J30	FILTER, WATER PORT SIDE	1	OPT
12-1	17632-93J20	FILTER, WATER STBD SIDE	1	
12-2	17632-93J30	FILTER, WATER STBD SIDE	1	OPT
13	09132-04034	SCREW (4X18)	1	
14	09116-08131	BOLT (8X45)	4	
15	09202-06031	PIN (6X12)	2	
16	09420-05009	KEY	1	
17	17400-96J02	WATER PUMP REPAIR KIT	1	OPT

FIG.60

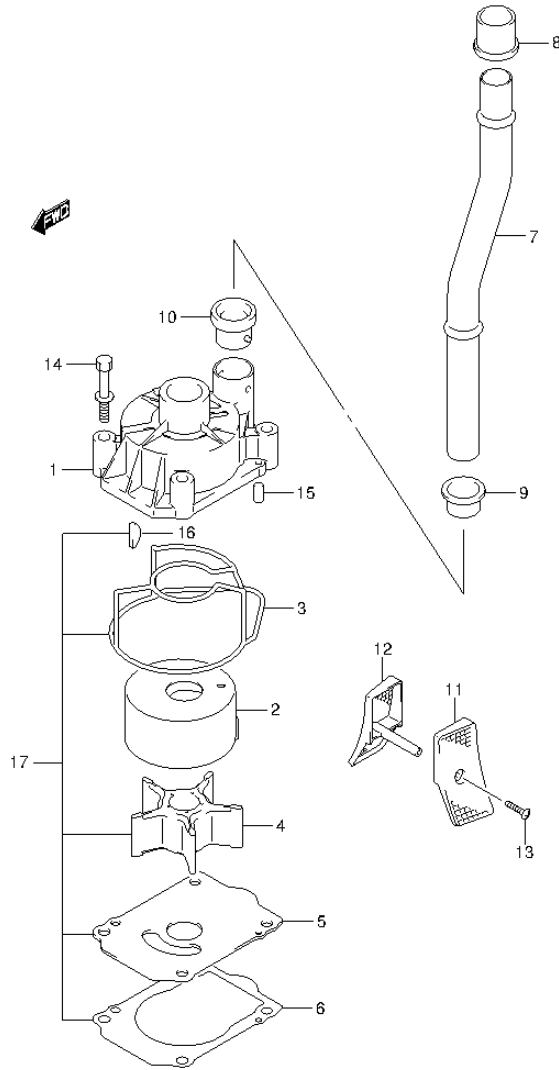


FIG.60 (1-H-2) WATER PUMP (DF175T E40)

REF NO.	PART NO.	DESCRIPTION	Q'TY	REMARKS
1	17411-96J01	CASE, WATER PUMP	1	
2	17413-96J11	SLEEVE, PUMP CASE	1	
3	17416-96J00	SEALING, PUMP CASE	1	
4	17461-90J01	IMPELLER, WATER PUMP	1	
5	17471-93J12	PANEL, PUMP CASE UNDER	1	
6	17472-93J00	GASKET, PUMP CASE PANEL	1	
7-1	17560-96J00	TUBE, WATER (L)	1	W/TRANSOM(L)
7-2	17561-96J10	TUBE, WATER (X)	1	W/TRANSOM(X)
8	17562-93J00	BUSH, WATER TUBE UPPER	1	
9	17563-93J00	BUSH, WATER TUBE LOWER	1	
10	17564-93J00	BUSH, WATER PUMP CASE	1	
11-1	17631-93J20	FILTER, WATER PORT SIDE	1	
11-2	17631-93J30	FILTER, WATER PORT SIDE	1	OPT
12-1	17632-93J20	FILTER, WATER STBD SIDE	1	
12-2	17632-93J30	FILTER, WATER STBD SIDE	1	OPT
13	09132-04034	SCREW (4X18)	1	
14	09116-08131	BOLT (8X45)	4	
15	09202-06031	PIN (6X12)	2	
16	09420-05009	KEY	1	
17	17400-96J02	WATER PUMP REPAIR KIT	1	OPT

FIG.61

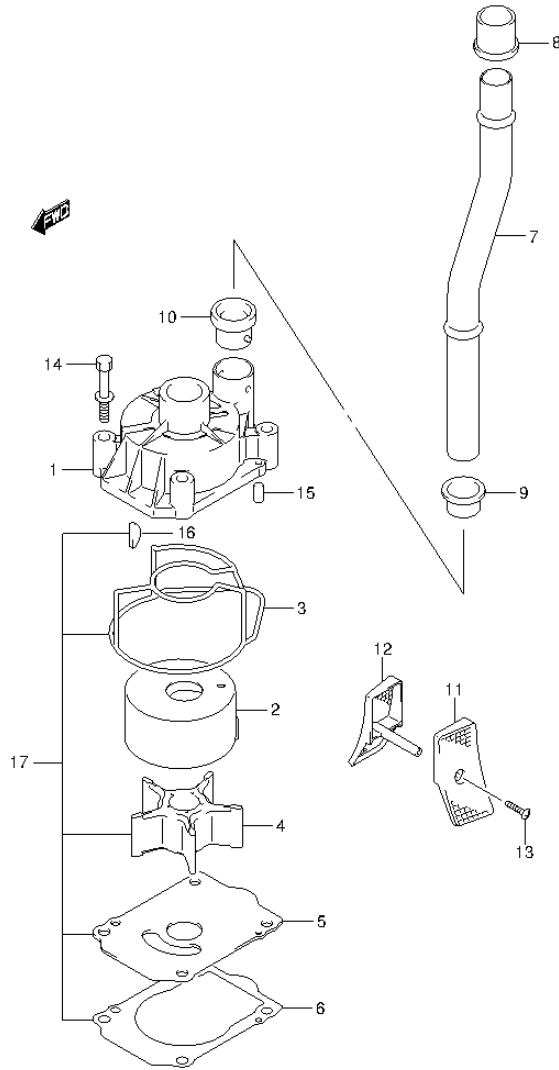


FIG.61 (1-H-3) WATER PUMP (DF175Z E1)

REF NO.	PART NO.	DESCRIPTION	Q'TY	REMARKS
1	17411-96J01	CASE, WATER PUMP	1	
2	17413-96J01	SLEEVE, PUMP CASE	1	
3	17416-96J00	SEALING, PUMP CASE	1	
4	17461-90J01	IMPELLER, WATER PUMP	1	
5	17471-93J02	PANEL, PUMP CASE UNDER	1	
6	17472-93J00	GASKET, PUMP CASE PANEL	1	
7-1	17560-96J00	TUBE, WATER (L)	1	W/TRANSOM(L)
7-2	17561-96J10	TUBE, WATER (X)	1	W/TRANSOM(X)
8	17562-93J00	BUSH, WATER TUBE UPPER	1	
9	17563-93J00	BUSH, WATER TUBE LOWER	1	
10	17564-93J00	BUSH, WATER PUMP CASE	1	
11-1	17631-93J20	FILTER, WATER PORT SIDE	1	
11-2	17631-93J30	FILTER, WATER PORT SIDE	1	OPT
12-1	17632-93J20	FILTER, WATER STBD SIDE	1	
12-2	17632-93J30	FILTER, WATER STBD SIDE	1	OPT
13	09132-04034	SCREW (4X18)	1	
14	09116-08131	BOLT (8X45)	4	
15	09202-06031	PIN (6X12)	2	
16	09420-05009	KEY	1	
17	17400-96J02	WATER PUMP REPAIR KIT	1	OPT

FIG.62

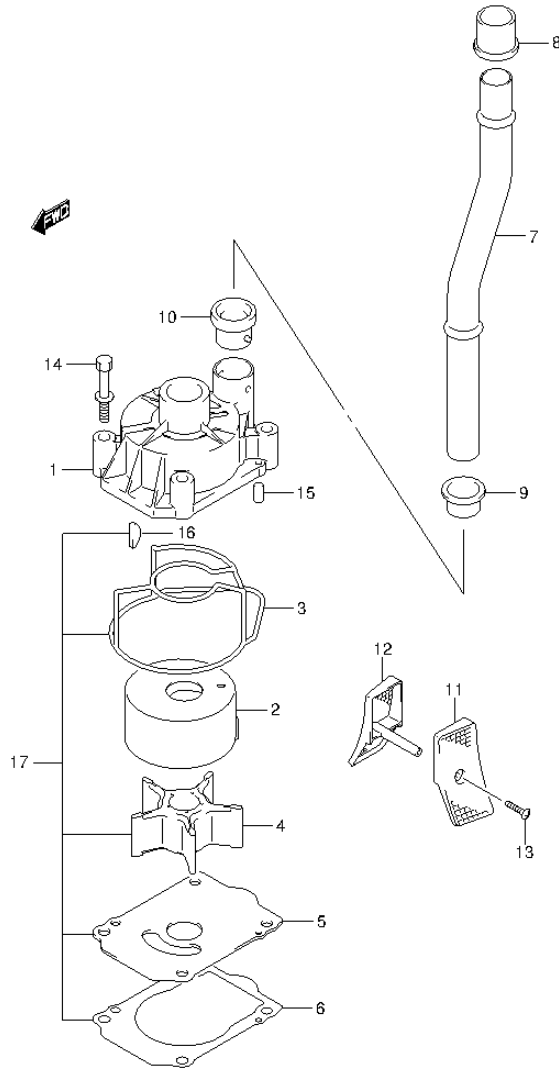


FIG.62 (1-H-4) WATER PUMP (DF175Z E40)

REF NO.	PART NO.	DESCRIPTION	Q'TY	REMARKS
1	17411-96J01	CASE, WATER PUMP	1	
2	17413-96J11	SLEEVE, PUMP CASE	1	
3	17416-96J00	SEALING, PUMP CASE	1	
4	17461-90J01	IMPELLER, WATER PUMP	1	
5	17471-93J12	PANEL, PUMP CASE UNDER	1	
6	17472-93J00	GASKET, PUMP CASE PANEL	1	
7-1	17560-96J00	TUBE, WATER (L)	1	W/TRANSOM(L)
7-2	17561-96J10	TUBE, WATER (X)	1	W/TRANSOM(X)
8	17562-93J00	BUSH, WATER TUBE UPPER	1	
9	17563-93J00	BUSH, WATER TUBE LOWER	1	
10	17564-93J00	BUSH, WATER PUMP CASE	1	
11-1	17631-93J20	FILTER, WATER PORT SIDE	1	
11-2	17631-93J30	FILTER, WATER PORT SIDE	1	OPT
12-1	17632-93J20	FILTER, WATER STBD SIDE	1	
12-2	17632-93J30	FILTER, WATER STBD SIDE	1	OPT
13	09132-04034	SCREW (4X18)	1	
14	09116-08131	BOLT (8X45)	4	
15	09202-06031	PIN (6X12)	2	
16	09420-05009	KEY	1	
17	17400-96J02	WATER PUMP REPAIR KIT	1	OPT

FIG.63

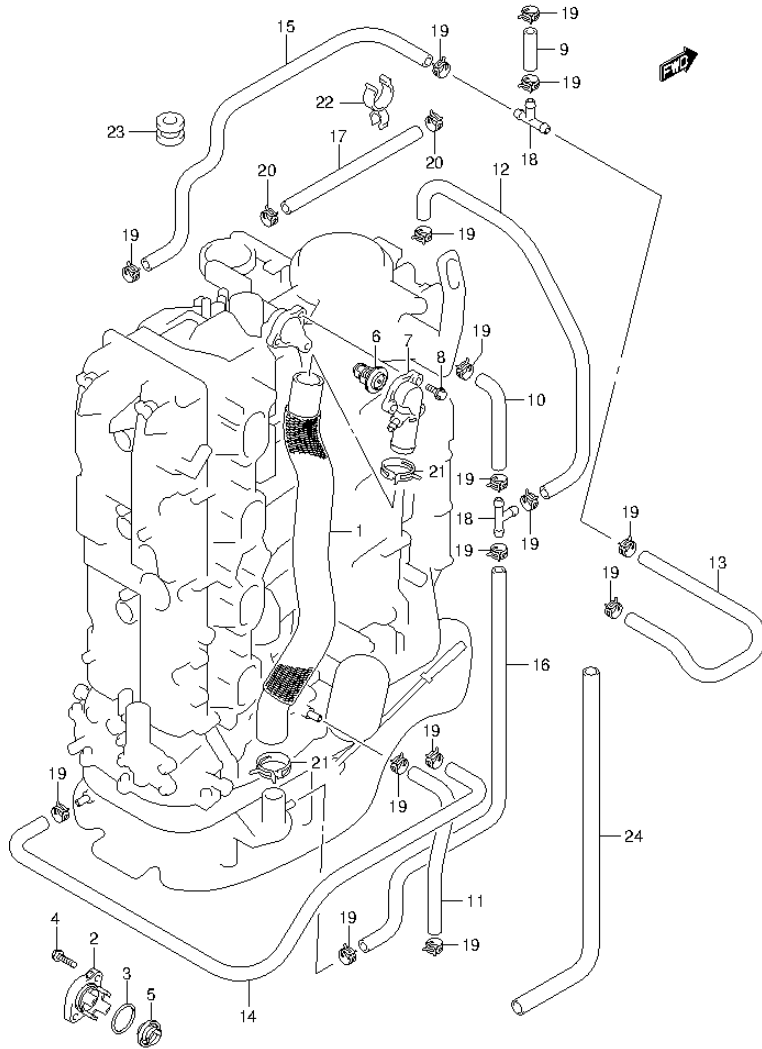


FIG.63 (1-H-5) THERMOSTAT

REF NO.	PART NO.	DESCRIPTION	Q'TY	REMARKS
1	11196-96J00	HOSE, WATER RETURN	1	
2-1	17611-90J00-0EP	COVER, WATER PRESS VALVE	1	
2-2	17611-90J00-Y5S	COVER, WATER PRESS VALVE	1	
3	09280-26006	O RING (D:3.1,ID:26.4)	1	
4	09116-06121	BOLT (6X25)	2	
5	17660-90J00	VALVE, WATER PRESSURE	1	
6-1	17670-90J20	THERMOSTAT (50C)	1	
6-2	17670-90J10	THERMOSTAT (71C)	1	OPT
7	17680-96J00	COVER, THERMOSTAT	1	
8	01550-06257	BOLT	3	
9	09352-50903-600	HOSE (5X9X600)	1	L:600->40
10	09352-50903-600	HOSE (5X9X600)	1	L:600->90
11	09352-50903-600	HOSE (5X9X600)	1	L:600->220
12	09352-50903-600	HOSE (5X9X600)	1	L:600->240
13	09352-50903-600	HOSE (5X9X600)	1	L:600->380
14	09352-50903-600	HOSE (5X9X600)	1	L:600->540
15	09352-50903-600	HOSE (5X9X600)	1	
16	09352-50903-600	HOSE (5X9X600)	1	L:600->490
17	09352-90133-600	HOSE (9X13X600)	1	L:600->340
18	09367-06002	JOINT, 3 WAY	2	
19	09401-08413	CLIP	16	
20	09401-13425	CLIP	2	
21	09401-31407	CLIP	2	
22	09408-00060	CLIP	1	
23	09320-09039	CUSHION	1	
24	18498-87JD0	PROTECTOR, HOSE	1	

FIG.64

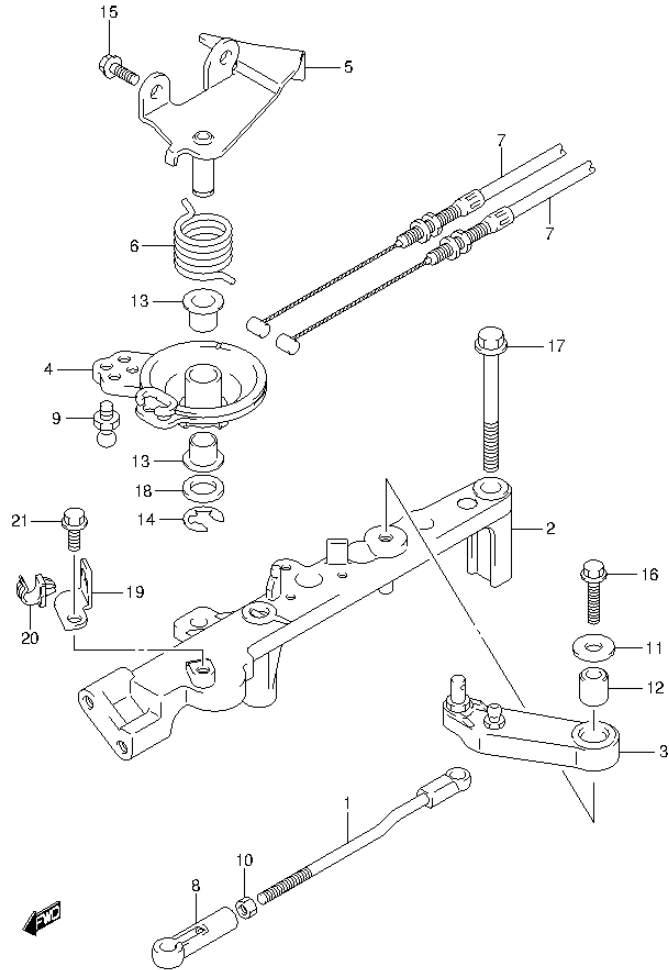


FIG.64 (1-H-6) THROTTLE ROD

REF NO.	PART NO.	DESCRIPTION	Q'TY	REMARKS
1	13510-96J00	ROD, THROTTLE NO.1	1	
2	19115-96J00	HOLDER, THROTTLE LEVER	1	
3	19121-93J02	LEVER, THROTTLE NO.1	1	
4	19148-96J00	DRUM, THROTTLE	1	
5	19184-96J00	BRACKET, THROTTLE CABLE	1	
6	19185-96J01	SPRING, THROTTLE LEVER	1	
7	63610-96J00	CABLE, THROTTLE	2	
8	67463-95200	CONNECTOR, THROTTLE ROD	1	
9	09119-06047	PIVOT	1	
10	09140-05005	NUT	1	
11	09160-06066	WASHER (6.5X20X1.6)	1	
12	09180-06230	SPACER (6.2X12.6X12.5)	1	
13	09306-10001	BUSH	2	
14	09383-08005	E RING	1	
15	01550-06167	BOLT	2	
16	01550-06257	BOLT	1	
17	01550-08657	BOLT	2	
18	08322-01107	WASHER	1	
19	15198-96J00	BRACKET, FUEL HOSE CLAMP	1	
20	09403-11314	CLAMP	1	
21	01550-06127	BOLT	1	

FIG.65

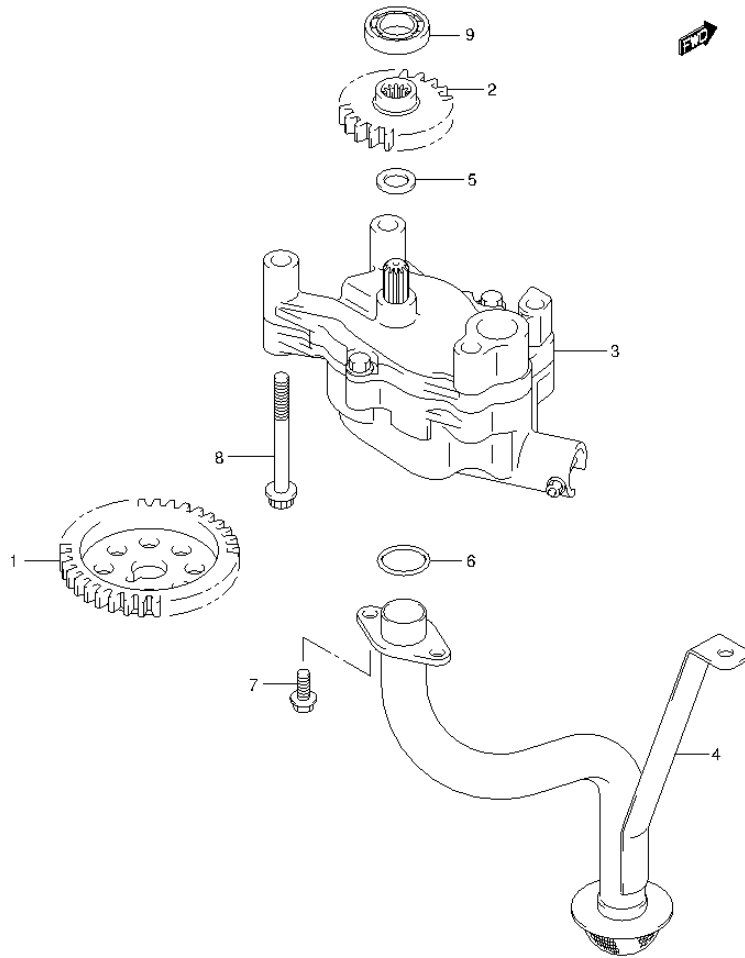


FIG.65 (1-H-7) OIL PUMP

REF NO.	PART NO.	DESCRIPTION	Q'TY	REMARKS
1	12632-96J00	GEAR, OIL PUMP DRIVE (NT:35)	1	
2	16113-96J00	GEAR, OIL PUMP DRIVEN (NT:20)	1	
3	16400-96J00	PUMP ASSY, OIL	1	
4	16520-96J01	STRAINER, OIL PUMP	1	
5	09181-12167	SHIM (12X20X1)	1	
6	09280-22020	O RING (D:2.4,ID:21.8)	2	
7	01550-0616A	BOLT	3	
8	01550-0870A	BOLT	4	
9	08110-60020	BEARING	1	



FIG.66

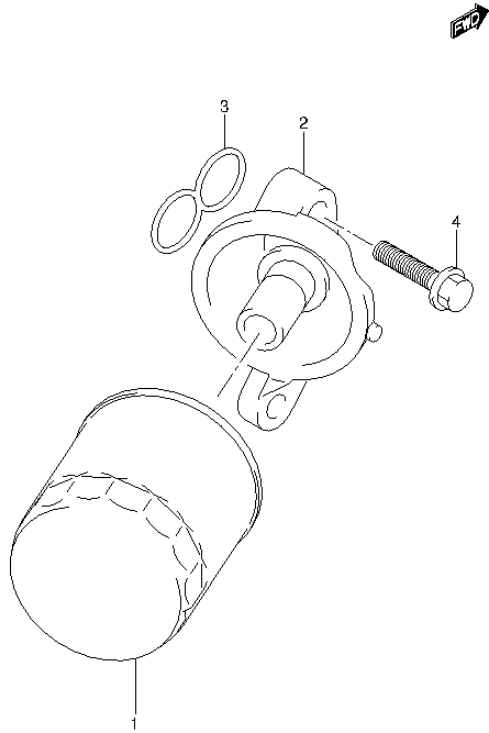
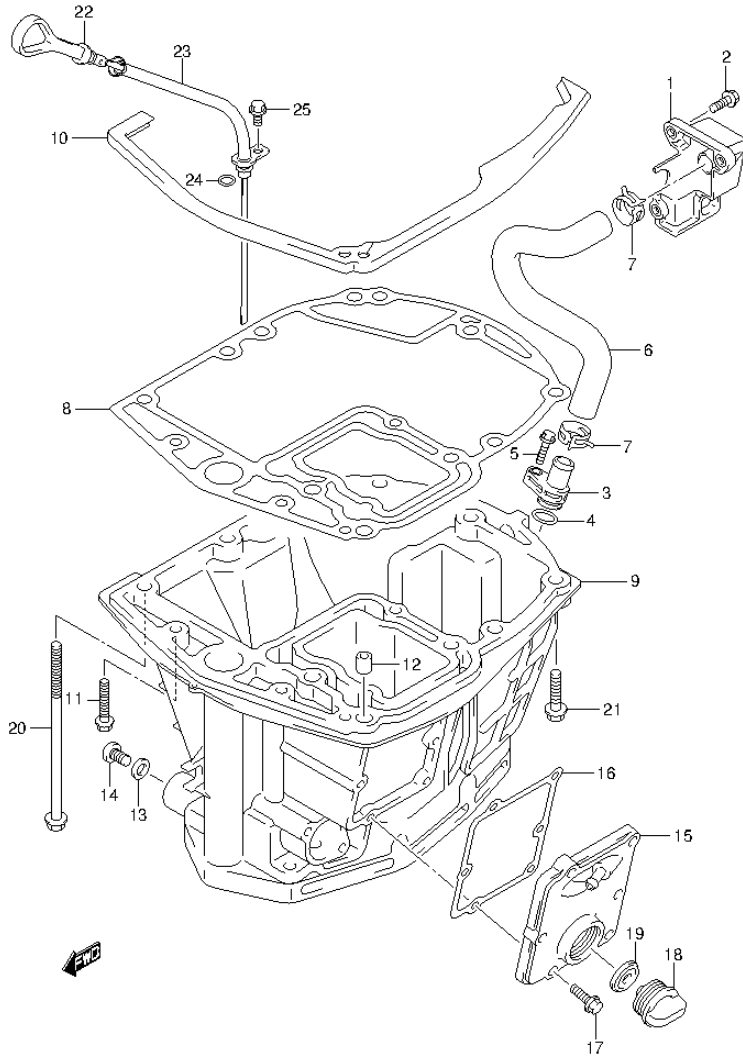


FIG.66 (1-H-8) OIL FILTER

REF NO.	PART NO.	DESCRIPTION	Q'TY	REMARKS
1	16510-96J00	FILTER ASSY, OIL	1	
2	16540-96J00	STAND, OIL FILTER	1	
3	16543-96J00	O RING	1	
4	01550-08357	BOLT	3	

**FIG.67**



**FIG.67 (1-H-9) OIL PAN**

REF NO.	PART NO.	DESCRIPTION	Q'TY	REMARKS
1	11430-96J01	PIPE, EXHAUST RELEASE	1	
2	29116-93J00	BOLT, EXH RELEASE PIPE (6X20)	3	
3	11540-96J01	PIPE, EXHAUST	1	
4	09280-16005	O RING (D:2.4,ID:15.8)	1	
5	29116-93J00	BOLT, EXHAUST PIPE (6X20)	1	
6	11543-96J00	HOSE, EXHAUST	1	
7	09401-22407	CLIP	2	
8	11489-96J01	GASKET, OIL PAN	1	
9	11501-96J03-0EP	PAN, OIL (BLACK)	1	
10	11544-96J00	SEAL, OIL PAN UPPER	1	
11	09116-08128	BOLT (8X40)	2	
12	09202-08006	PIN (8X12)	2	
13	09168-12012	GASKET (12.5X20X2.5)	1	
14	09248-12009	PLUG (12X18.65)	1	
15-1	11550-96J00-0EP	COVER, WTR JACKET OIL PAN (BLACK)	1	
15-2	11550-96J00-Y5S	COVER, WTR JACKET OIL PAN (WHITE)	1	
16	11552-96J00	GASKET, WTR JACKET COVER	1	
17	09103-06093	BOLT (6X20)	6	
18	17913-93J00	PLUG, WATER	1	
19	17914-93J00	GASKET, WATER PLUG	1	
20	09116-10146	BOLT (10X195)	8	
21	09116-10176	BOLT (10X44)	1	
22	16910-96J01	GAUGE, OIL LEVEL	1	
23	16930-96J00	GUIDE, OIL LEVEL GAUGE	1	
24	09280-09008	O RING (D:2.1,ID:8.8)	1	
25	01550-06127	BOLT	1	

FIG.68

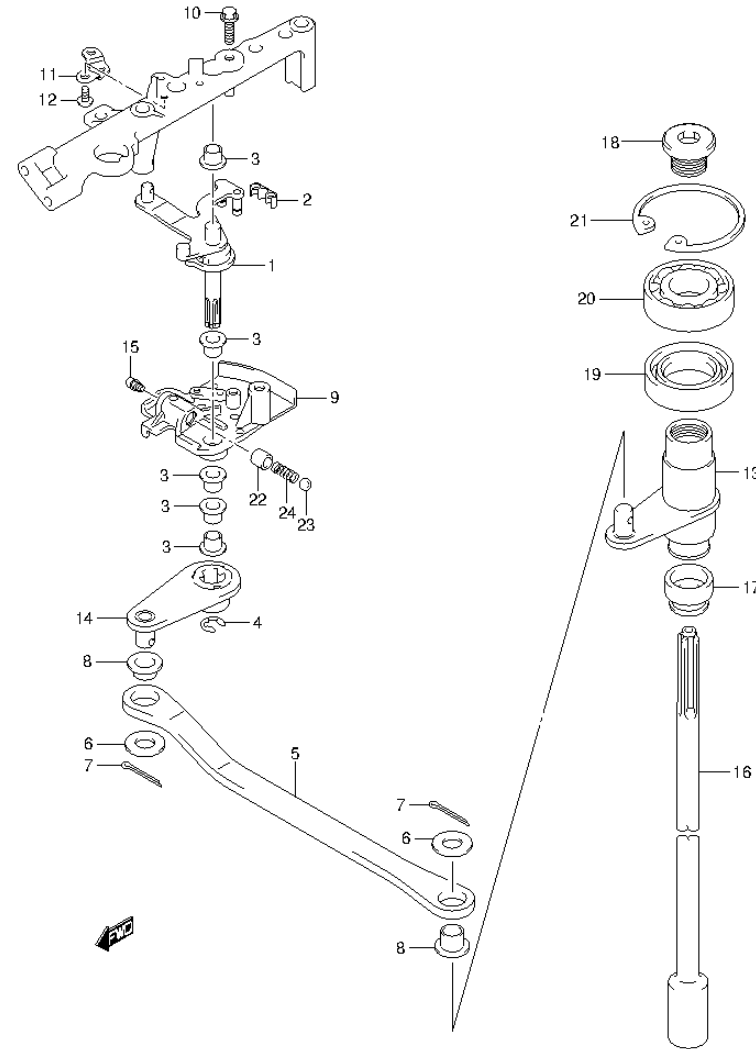
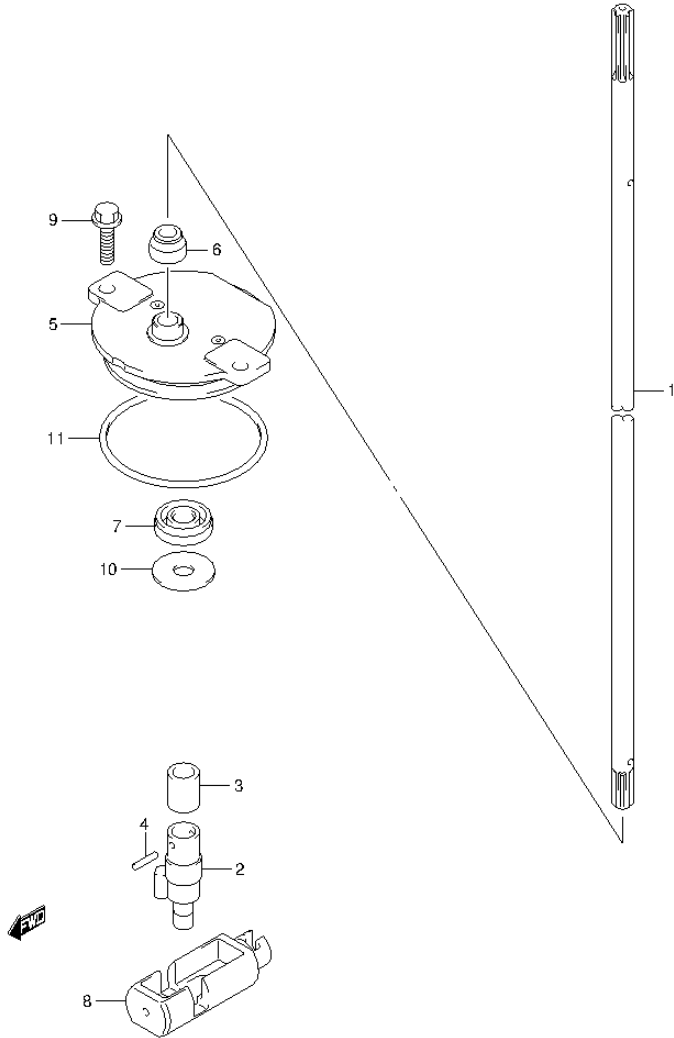


FIG.68 (1-H-10) CLUTCH SHAFT

REF NO.	PART NO.	DESCRIPTION	Q'TY	REMARKS
1	21100-96J01	LEVER, CLUTCH	1	
2	21131-93J00	BUSH, CLUTCH LEVER	1	
3	09306-10001	BUSH	4	
4	09383-08004	E RING	1	
5	23115-96J00	LINK, CLUTCH LEVER	1	
6	09160-06094	WASHER (6.5X15X1.5)	2	
7	09204-01006	PIN	2	
8	09306-06004	BUSH	2	
9	21151-96J00	HOLDER, CLUTCH LEVER	1	
10	01550-06207	BOLT	1	
11	21155-93J00	PLATE, SHIFT LEVER	1	
12	02142-05107	SCREW	2	
13	21210-93J00	SHAFT, CLUTCH	1	
14	21230-93J00	ARM, CLUTCH SHAFT	1	
15	22511-99011	NIPPLE, GREASE	1	
16-1	23111-96J00	ROD, CLUTCH (L)	1	W/TRANSOM(L)
16-2	23111-93J00	ROD, CLUTCH (X)	1	W/TRANSOM(X)
17	25223-94400	COVER, CLUTCH ROD	1	
18	09248-12011	PLUG (12X9)	1	
19	09289-18001	OIL SEAL (18X30X8)	1	
20	09262-17019	BEARING (17X35X8)	1	
21	08331-41359	CIRCLIP	1	
22	09205-10006	SPRING PIN (10.2X10)	1	
23	09260-10005	BALL	1	
24	09440-07051	SPRING	1	

**FIG.69**



**FIG.69 (1-H-11) CLUTCH ROD**

REF NO.	PART NO.	DESCRIPTION	Q'TY	REMARKS
1-1	25111-96J00	ROD, SHIFT (L)	1	W/TRANSOM(L)
1-2	25111-93J00	ROD, SHIFT (UL)	1	W/TRANSOM(X)
2	25131-93J00	YOKE, SHIFTER	1	
3	25232-96302	MAGNET, GEAR CASE	1	
4	09205-02006	SPRING PIN (2X12)	2	
5	25141-93J00	HOUSING, SHIFT ROD GUIDE	1	
6	25223-94400	COVER, CLUTCH ROD	1	
7	09282-08005	OIL SEAL (8X22X7)	1	
8	25321-93J00	SLIDER, SHIFT HORIZONTAL	1	
9	29116-93J00	BOLT, SHIFT ROD (6X20)	2	
10	09160-08151	WASHER (8.5X26X1.6)	1	
11	09280-60007	O RING (D:3.5,ID:59.6)	1	

FIG.70

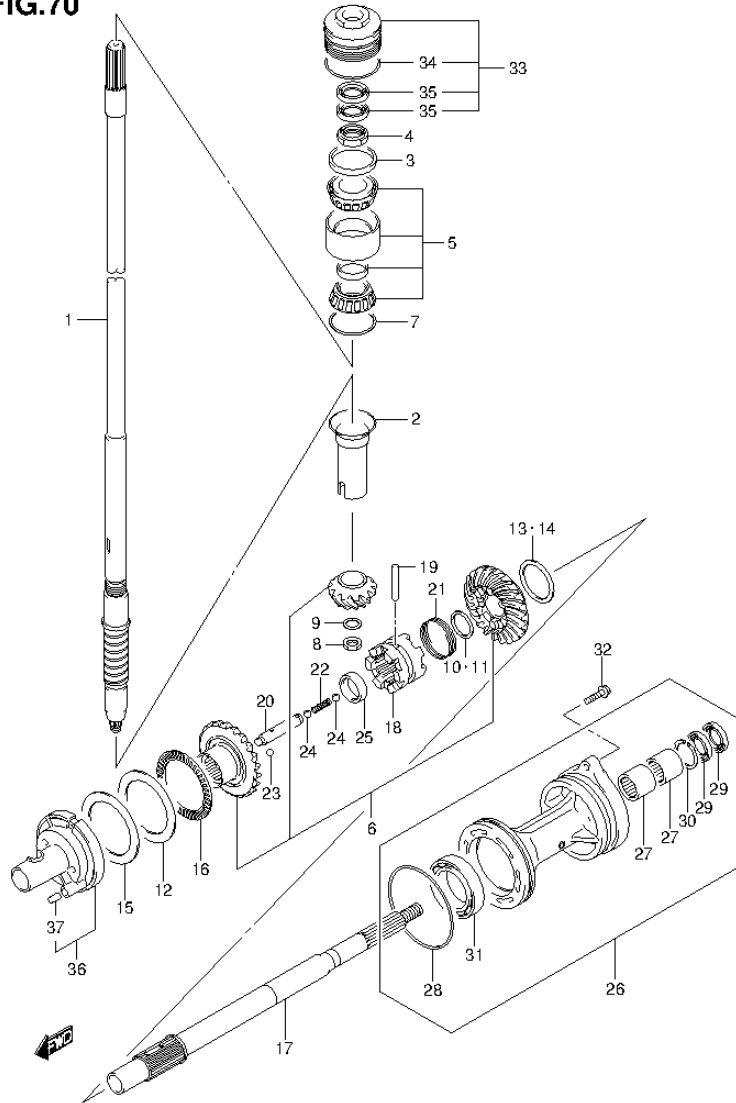


FIG.70 (1-H-12) TRANSMISSION (DF150T E1)

REF NO.	PART NO.	DESCRIPTION	Q'TY	REMARKS
1-1	57110-96J40	SHAFT, DRIVE (L)	1	W/TRANSOM(L)
1-2	57110-96J30	SHAFT, DRIVE (UL)	1	W/TRANSOM(X)
2	57133-93J00	COLLAR, DRIVE SHAFT	1	
3	57134-93J00	SPACER, DRIVE SHAFT BEARING	1	
4	09159-28003	NUT	1	
5	09269-32001	BEARING (32X66X49)	1	
6	57300-96810	PINION/GEAR SET	1	
7-1	09181-60004	SHIM (T:0.45)	1	
7-2	09181-60005	SHIM (T:0.50)	1	
7-3	09181-60006	SHIM (T:0.55)	1	
7-4	09181-60007	SHIM (T:0.60)	1	
7-5	09181-60008	SHIM (T:0.65)	1	
7-6	09181-60009	SHIM (T:0.70)	1	
7-7	09181-60010	SHIM (T:0.75)	1	
7-8	09181-60011	SHIM (T:0.80)	1	
7-9	09181-60012	SHIM (T:0.85)	1	
7-10	09181-60013	SHIM (T:0.90)	1	
8	09140-16021	NUT	1	
9	08221-16256	WASHER	1	
10	57500-87861	SHIM SET, PROP SHAFT REV	1	
11-1	08211-30382	.WASHER (30X38X1.5)	1	
11-2	09160-30036	.WASHER (30X38X1.7)	1	
11-3	09160-30037	.WASHER (30X38X1.9)	1	
11-4	09160-30038	.WASHER (30X38X2.1)	1	
11-5	08211-30384	.WASHER (30X38X2.2)	1	
11-6	09160-30039	.WASHER (30X38X2.3)	1	
11-7	09160-30041	.WASHER (30X38X2.4)	1	
11-8	08211-30385	.WASHER (30X38X2.5)	1	
11-9	09160-30042	.WASHER (30X38X2.6)	1	
11-10	09160-30043	.WASHER (30X38X2.7)	1	
11-11	09160-30044	.WASHER (30X38X2.8)	1	
12	09160-75002	WASHER (75X100X2)	1	FWD GEAR
13	57500-87852	SHIM SET, REV GEAR	1	REV GEAR
14-1	09181-50013	.SHIM (T:1.00)	1	REV GEAR

FIG.70

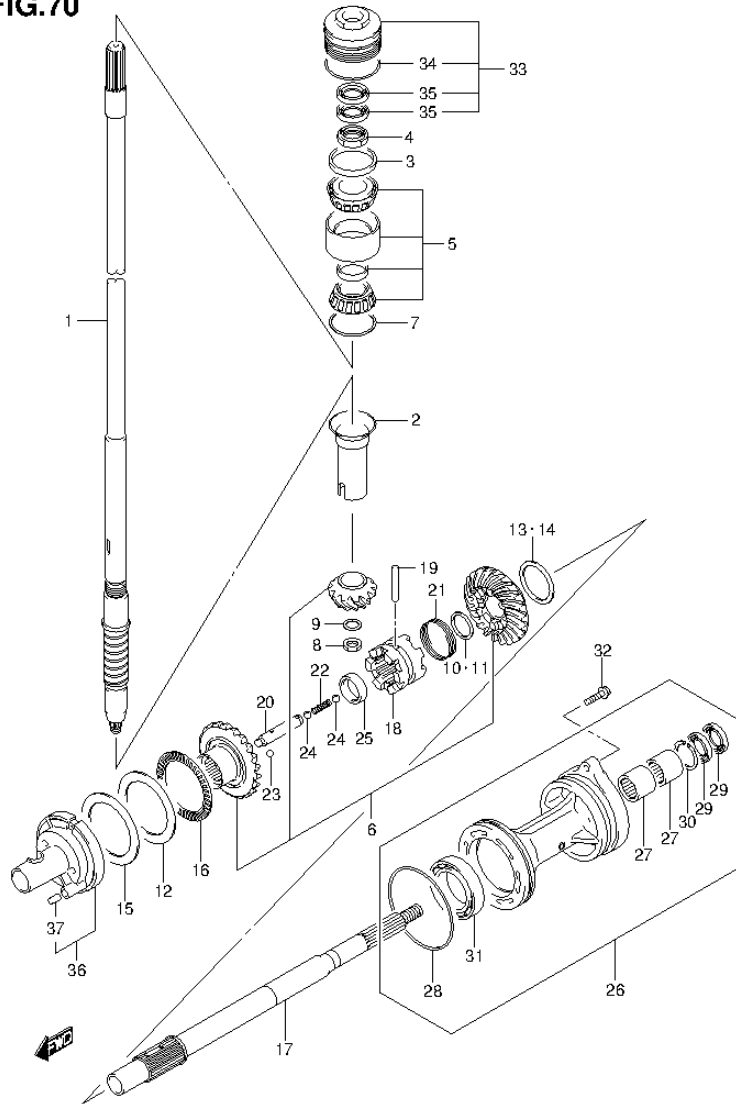
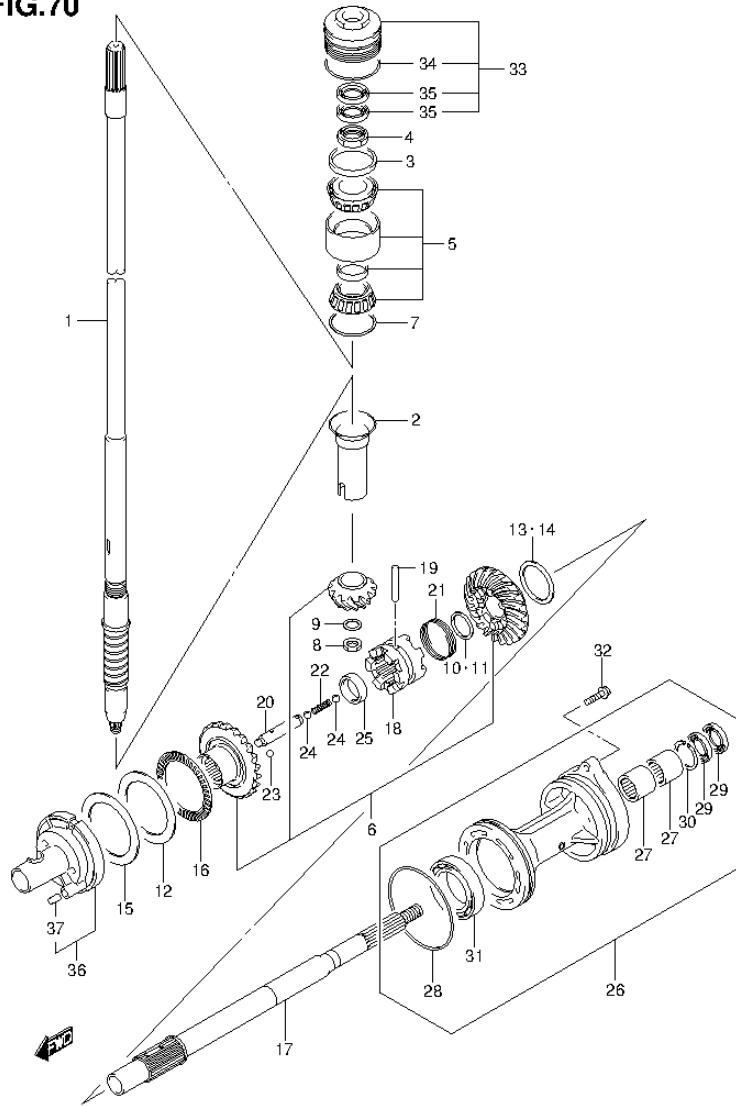


FIG.70 (1-H-13) TRANSMISSION (DF150T E1)

REF NO.	PART NO.	DESCRIPTION	Q'TY	REMARKS
14-2	09181-50012	.SHIM (T:1.10)	1	REV GEAR
14-3	09181-50005	.SHIM (T:1.20)	1	REV GEAR
14-4	09181-50006	.SHIM (T:1.30)	1	REV GEAR
14-5	09181-50007	.SHIM (T:1.40)	1	REV GEAR
14-6	09181-50008	.SHIM (T:1.50)	1	REV GEAR
14-7	09181-50009	.SHIM (T:1.60)	1	REV GEAR
14-8	09181-50010	.SHIM (T:1.70)	1	REV GEAR
15-1	09181-75018	SHIM (T:0.50)	1	FWD GEAR
15-2	09181-75019	SHIM (T:0.55)	1	FWD GEAR
15-3	09181-75012	SHIM (T:0.60)	1	FWD GEAR
15-4	09181-75013	SHIM (T:0.65)	1	FWD GEAR
15-5	09181-75008	SHIM (T:0.70)	1	FWD GEAR
15-6	09181-75014	SHIM (T:0.75)	1	FWD GEAR
15-7	09181-75009	SHIM (T:0.80)	1	FWD GEAR
15-8	09181-75015	SHIM (T:0.85)	1	FWD GEAR
15-9	09181-75010	SHIM (T:0.90)	1	FWD GEAR
15-10	09181-75016	SHIM (T:0.95)	1	FWD GEAR
15-11	09181-75011	SHIM (T:1.00)	1	FWD GEAR
16	09269-75002	BEARING (75X100X4)	1	
17	57610-93J00	SHAFT, PROPELLER	1	
18	57621-93J10	SHIFTER, CLUTCH DOG	1	
19	09202-08007	PIN (8X49)	1	
20	57631-93J00	PIN, CONNECTOR	1	
21	09440-52003	SPRING	1	
22	09440-09040	SPRING	1	
23	06111-07004	BALL	2	
24	06111-11004	BALL	2	
25	09180-25082	SPACER (25X36.5X9.5)	1	
26-1	56120-93J03-0EP	HOUSING, PROP SFT BRG (BLACK)	1	
26-2	56120-93J03-Y5S	HOUSING, PROP SFT BRG (WHITE)	1	
27	09263-30023	.BEARING (30X40X25)	2	
28	09280-00040	.O RING (D:3.1,ID:104.4)	1	
29	09282-30006	.OIL SEAL (30X45X6)	2	
30	09381-40003	.CIRCLIP	1	
31	08113-60100	.BEARING	1	

**FIG.70**



**FIG.70 (1-H-14) TRANSMISSION (DF150T E1)**

REF NO.	PART NO.	DESCRIPTION	Q'TY	REMARKS
32	09116-08158	BOLT (8X35)	2	
33	56130-93J01	HOUSING, DRIVE SHAFT BRG	1	
34	09280-66004	.O RING (D:3.1,ID:65.4)	1	
35	09282-24004	.OIL SEAL (24X40X7)	2	
36	56140-93J01	HOUSING, FWD GEAR BRG	1	
37	04221-08129	.PIN	1	

FIG.71

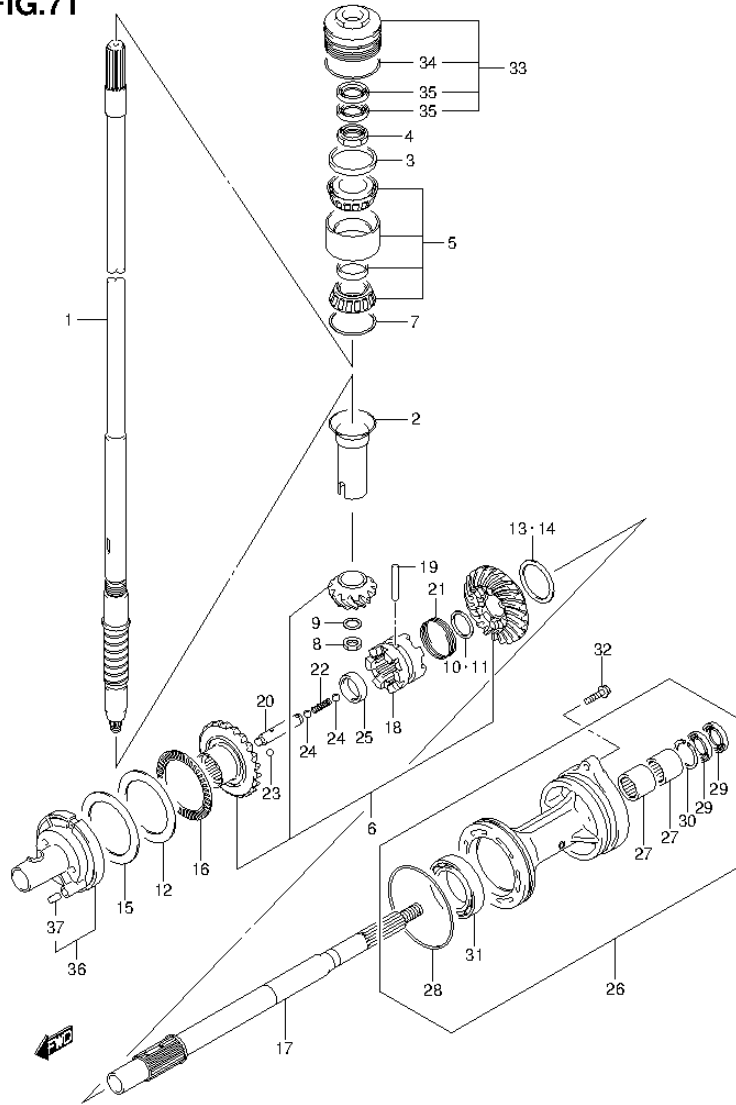


FIG.71 (1-H-15) TRANSMISSION (DF150T E40)

REF NO.	PART NO.	DESCRIPTION	Q'TY	REMARKS
1-1	57110-96J40	SHAFT, DRIVE (L)	1	W/TRANSOM(L)
1-2	57110-96J30	SHAFT, DRIVE (UL)	1	W/TRANSOM(X)
2	57133-93J00	COLLAR, DRIVE SHAFT	1	
3	57134-93J00	SPACER, DRIVE SHAFT BEARING	1	
4	09159-28003	NUT	1	
5	09269-32001	BEARING (32X66X49)	1	
6	57300-96810	PINION/GEAR SET	1	
7-1	09181-60004	SHIM (T:0.45)	1	
7-2	09181-60005	SHIM (T:0.50)	1	
7-3	09181-60006	SHIM (T:0.55)	1	
7-4	09181-60007	SHIM (T:0.60)	1	
7-5	09181-60008	SHIM (T:0.65)	1	
7-6	09181-60009	SHIM (T:0.70)	1	
7-7	09181-60010	SHIM (T:0.75)	1	
7-8	09181-60011	SHIM (T:0.80)	1	
7-9	09181-60012	SHIM (T:0.85)	1	
7-10	09181-60013	SHIM (T:0.90)	1	
8	09140-16021	NUT	1	
9	08221-16256	WASHER	1	
10	57500-87861	SHIM SET, PROP SHAFT REV	1	
11-1	08211-30382	.WASHER (30X38X1.5)	1	
11-2	09160-30036	.WASHER (30X38X1.7)	1	
11-3	09160-30037	.WASHER (30X38X1.9)	1	
11-4	09160-30038	.WASHER (30X38X2.1)	1	
11-5	08211-30384	.WASHER (30X38X2.2)	1	
11-6	09160-30039	.WASHER (30X38X2.3)	1	
11-7	09160-30041	.WASHER (30X38X2.4)	1	
11-8	08211-30385	.WASHER (30X38X2.5)	1	
11-9	09160-30042	.WASHER (30X38X2.6)	1	
11-10	09160-30043	.WASHER (30X38X2.7)	1	
11-11	09160-30044	.WASHER (30X38X2.8)	1	
12	09160-75002	WASHER (75X100X2)	1	FWD GEAR
13	57500-87852	SHIM SET, REV GEAR	1	REV GEAR
14-1	09181-50013	.SHIM (T:1.00)	1	REV GEAR



FIG.71

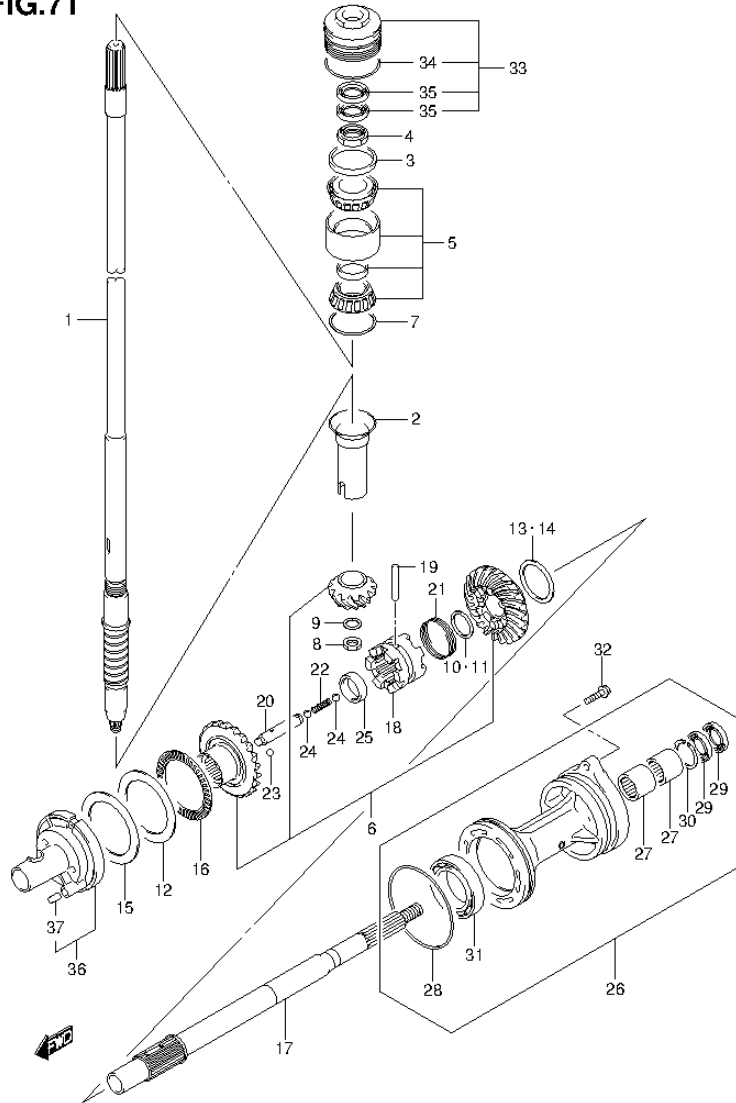
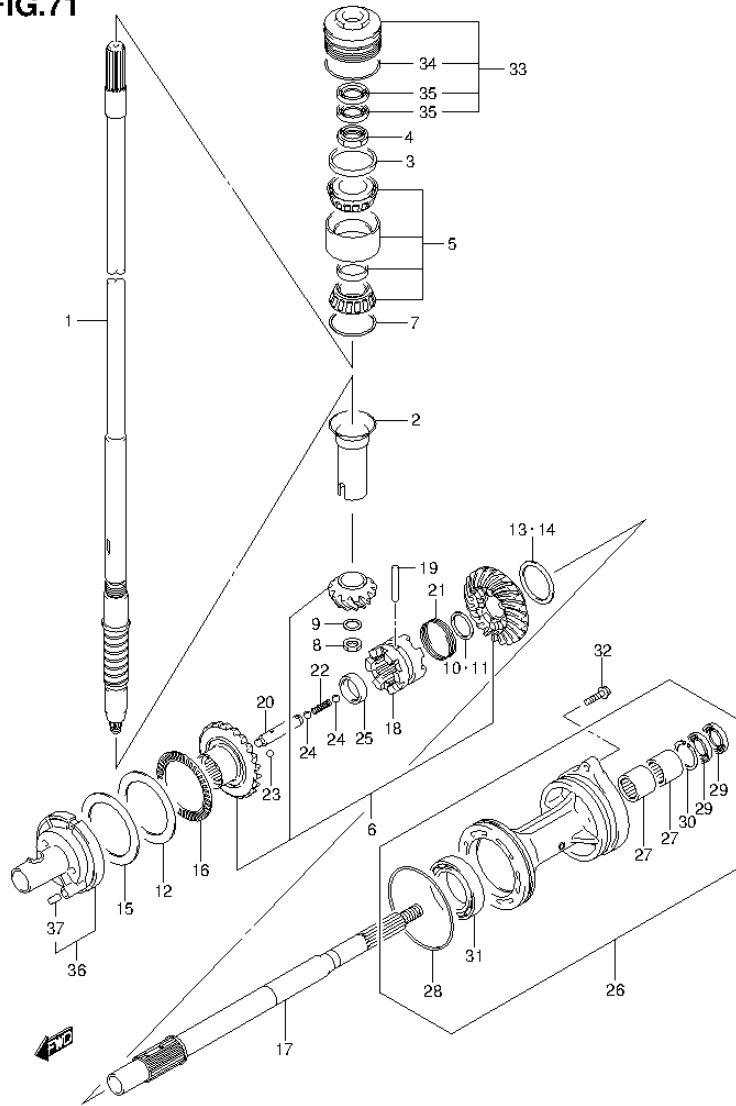


FIG.71 (1-I-2) TRANSMISSION (DF150T E40)

REF NO.	PART NO.	DESCRIPTION	Q'TY	REMARKS
14-2	09181-50012	.SHIM (T:1.10)	1	REV GEAR
14-3	09181-50005	.SHIM (T:1.20)	1	REV GEAR
14-4	09181-50006	.SHIM (T:1.30)	1	REV GEAR
14-5	09181-50007	.SHIM (T:1.40)	1	REV GEAR
14-6	09181-50008	.SHIM (T:1.50)	1	REV GEAR
14-7	09181-50009	.SHIM (T:1.60)	1	REV GEAR
14-8	09181-50010	.SHIM (T:1.70)	1	REV GEAR
15-1	09181-75018	SHIM (T:0.50)	1	FWD GEAR
15-2	09181-75019	SHIM (T:0.55)	1	FWD GEAR
15-3	09181-75012	SHIM (T:0.60)	1	FWD GEAR
15-4	09181-75013	SHIM (T:0.65)	1	FWD GEAR
15-5	09181-75008	SHIM (T:0.70)	1	FWD GEAR
15-6	09181-75014	SHIM (T:0.75)	1	FWD GEAR
15-7	09181-75009	SHIM (T:0.80)	1	FWD GEAR
15-8	09181-75015	SHIM (T:0.85)	1	FWD GEAR
15-9	09181-75010	SHIM (T:0.90)	1	FWD GEAR
15-10	09181-75016	SHIM (T:0.95)	1	FWD GEAR
15-11	09181-75011	SHIM (T:1.00)	1	FWD GEAR
16	09269-75002	BEARING (75X100X4)	1	
17	57610-93J00	SHAFT, PROPELLER	1	
18	57621-93J10	SHIFTER, CLUTCH DOG	1	
19	09202-08007	PIN (8X49)	1	
20	57631-93J00	PIN, CONNECTOR	1	
21	09440-52003	SPRING	1	
22	09440-09040	SPRING	1	
23	06111-07004	BALL	2	
24	06111-11004	BALL	2	
25	09180-25082	SPACER (25X36.5X9.5)	1	
26	56120-93J03-0EP	HOUSING, PROP SFT BRG (BLACK)	1	
27	09263-30023	.BEARING (30X40X25)	2	
28	09280-00040	.O RING (D:3.1,ID:104.4)	1	
29	09282-30006	.OIL SEAL (30X45X6)	2	
30	09381-40003	.CIRCLIP	1	
31	08113-60100	.BEARING	1	

**FIG.71**



**FIG.71 (1-1-3) TRANSMISSION (DF150T E40)**

REF NO.	PART NO.	DESCRIPTION	Q'TY	REMARKS
32	09116-08158	BOLT (8X35)	2	
33	56130-93J01	HOUSING, DRIVE SHAFT BRG	1	
34	09280-66004	.O RING (D:3.1,ID:65.4)	1	
35	09282-24004	.OIL SEAL (24X40X7)	2	
36	56140-93J01	HOUSING, FWD GEAR BRG	1	
37	04221-08129	.PIN	1	

FIG.72

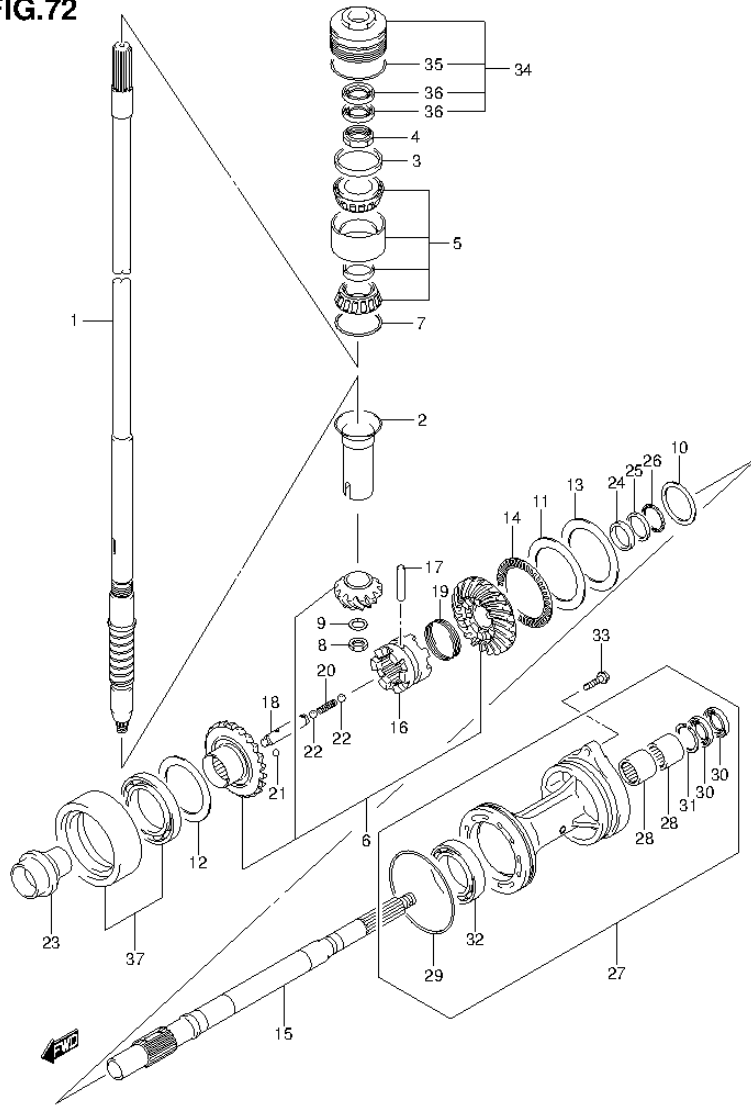


FIG.72 (1-1-4) TRANSMISSION (DF150Z E1)

REF NO.	PART NO.	DESCRIPTION	Q'TY	REMARKS
1-1	57110-96J40	SHAFT, DRIVE (L)	1	W/TRANSOM(L)
1-2	57110-96J30	SHAFT, DRIVE (UL)	1	W/TRANSOM(X)
2	57133-93J00	COLLAR, DRIVE SHAFT	1	
3	57134-93J00	SPACER, DRIVE SHAFT BEARING	1	
4	09159-28003	NUT	1	
5	09269-32001	BEARING (32X66X49)	1	
6	57300-96820	PINION/GEAR SET	1	
7-1	09181-60004	SHIM (T:0.45)	1	
7-2	09181-60005	SHIM (T:0.50)	1	
7-3	09181-60006	SHIM (T:0.55)	1	
7-4	09181-60007	SHIM (T:0.60)	1	
7-5	09181-60008	SHIM (T:0.65)	1	
7-6	09181-60009	SHIM (T:0.70)	1	
7-7	09181-60010	SHIM (T:0.75)	1	
7-8	09181-60011	SHIM (T:0.80)	1	
7-9	09181-60012	SHIM (T:0.85)	1	
7-10	09181-60013	SHIM (T:0.90)	1	
8	09140-16021	NUT	1	
9	08221-16256	WASHER	1	
10-1	09160-35015	WASHER (35X46X0.6)	1	PROP SHAFT REV
10-2	09160-35013	WASHER (35X46X0.8)	1	PROP SHAFT REV
10-3	09160-35010	WASHER (35X46X1.15)	1	PROP SHAFT REV
10-4	09160-35004	WASHER (35X46X1.2)	1	PROP SHAFT REV
10-5	09160-35006	WASHER (35X46X0.9)	1	PROP SHAFT REV
10-6	09160-35002	WASHER (35X46X1)	1	PROP SHAFT REV
10-7	09160-35008	WASHER (35X46X0.95)	1	PROP SHAFT REV
10-8	09160-35003	WASHER (35X46X1.1)	1	PROP SHAFT REV
10-9	09160-35009	WASHER (35X46X1.05)	1	PROP SHAFT REV
11	09160-75002	WASHER (75X100X2)	1	FWD GEAR
12-1	09181-60004	SHIM (T:0.45)	1	REV GEAR
12-2	09181-60005	SHIM (T:0.50)	1	REV GEAR
12-3	09181-60006	SHIM (T:0.55)	1	REV GEAR
12-4	09181-60007	SHIM (T:0.60)	1	REV GEAR
12-5	09181-60008	SHIM (T:0.65)	1	REV GEAR

FIG.72

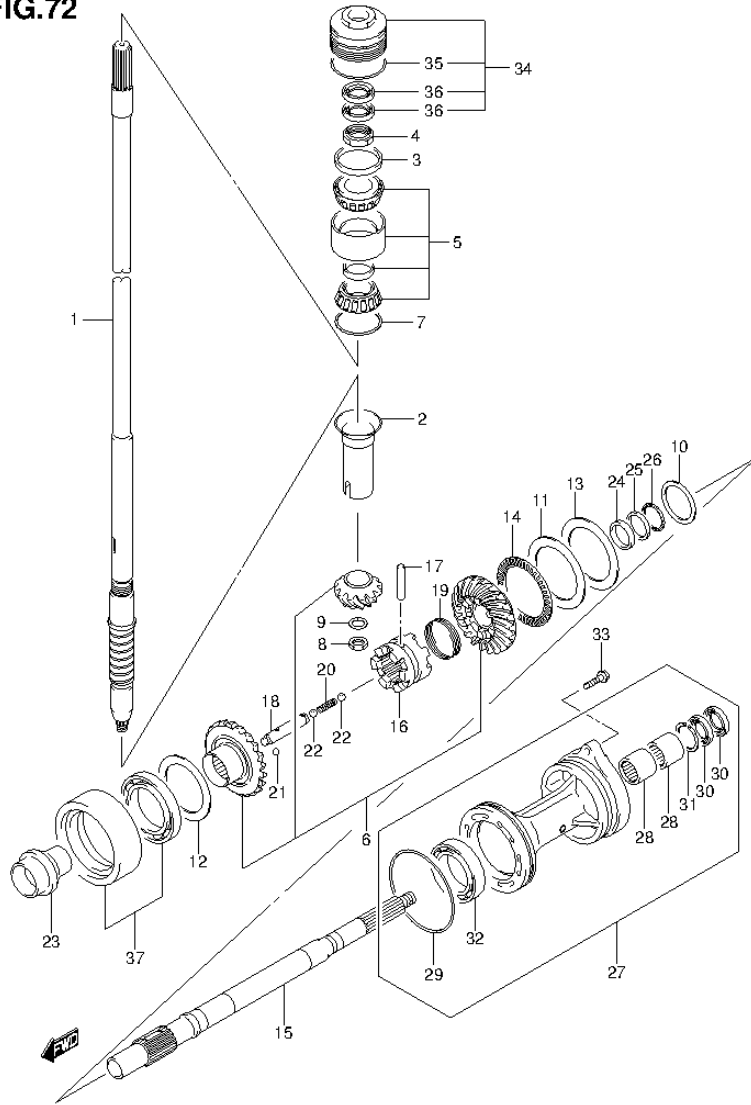


FIG.72 (1-1-5) TRANSMISSION (DF150Z E1)

REF NO.	PART NO.	DESCRIPTION	Q'TY	REMARKS
12-6	09181-60009	SHIM (T:0.70)	1	REV GEAR
12-7	09181-60010	SHIM (T:0.75)	1	REV GEAR
12-8	09181-60011	SHIM (T:0.80)	1	REV GEAR
12-9	09181-60012	SHIM (T:0.85)	1	REV GEAR
12-10	09181-60013	SHIM (T:0.90)	1	REV GEAR
13-1	09181-75018	SHIM (T:0.50)	1	FWD GEAR
13-2	09181-75019	SHIM (T:0.55)	1	FWD GEAR
13-3	09181-75012	SHIM (T:0.60)	1	FWD GEAR
13-4	09181-75013	SHIM (T:0.65)	1	FWD GEAR
13-5	09181-75008	SHIM (T:0.70)	1	FWD GEAR
13-6	09181-75014	SHIM (T:0.75)	1	FWD GEAR
13-7	09181-75009	SHIM (T:0.80)	1	FWD GEAR
13-8	09181-75015	SHIM (T:0.85)	1	FWD GEAR
13-9	09181-75010	SHIM (T:0.90)	1	FWD GEAR
13-10	09181-75016	SHIM (T:0.95)	1	FWD GEAR
13-11	09181-75011	SHIM (T:1.00)	1	FWD GEAR
14	09269-75002	BEARING (75X100X4)	1	
15	57610-93J20	SHAFT, PROPELLER	1	
16	57621-93J20	SHIFTER, CLUTCH DOG	1	
17	09202-08007	PIN (8X49)	1	
18	57631-93J00	PIN, CONNECTOR	1	
19	09440-52003	SPRING	1	
20	09440-09040	SPRING	1	
21	06111-07004	BALL	2	
22	06111-11004	BALL	2	
23	57622-93J00	SPACER, FWD THRUST	1	
24	09160-30055	WASHER (30X47X6)	1	
25	09160-30056	WASHER (32X47X3)	1	
26	09269-30014	BEARING (30X47X2)	1	
27-1	56120-93J13-0EP	HOUSING, PROP SFT BRG (BLACK)	1	
27-2	56120-93J13-Y5S	HOUSING, PROP SFT BRG (WHITE)	1	
28	09263-30023	.BEARING (30X40X25)	2	
29	.O RING (D:3.1,ID:104.4)	1		
30	09282-30006	.OIL SEAL (30X45X6)	2	
31	09381-40003	.CIRCLIP	1	

FIG.72

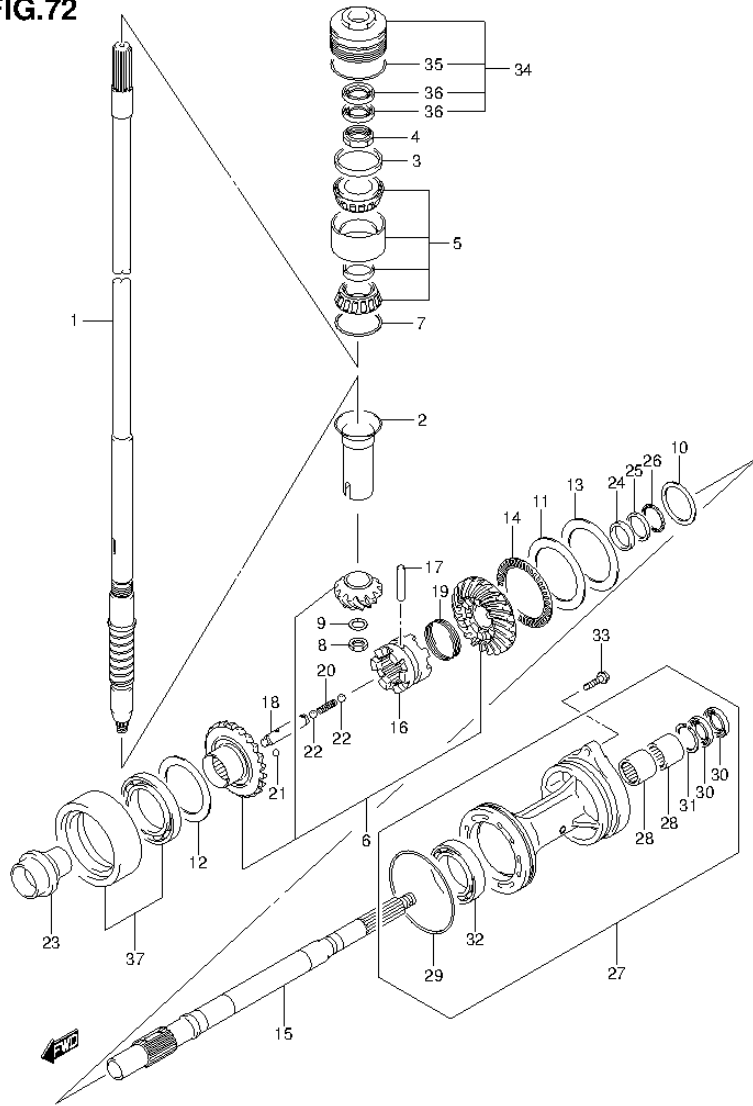


FIG.72 (1-I-6) TRANSMISSION (DF150Z E1)

REF NO.	PART NO.	DESCRIPTION	Q'TY	REMARKS
32	09263-50009	.BEARING (50X65X25)	1	
33	09116-08158	BOLT (8X35)	2	
34	56130-93J01	HOUSING, DRIVE SHAFT BRG	1	
35	09280-66004	.O RING (D:3.1,ID:65.4)	1	
36	09282-24004	.OIL SEAL (24X40X7)	2	
37	56140-93J10	HOUSING, REV GEAR BRG	1	

FIG.73

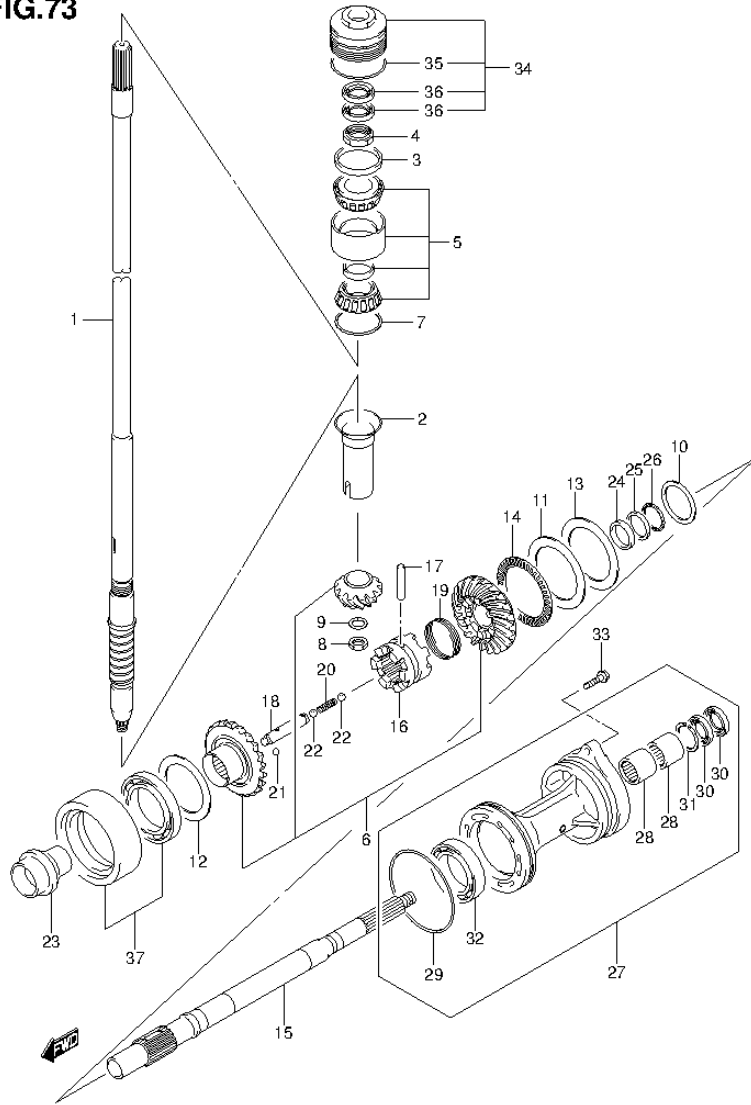


FIG.73 (1-I-7) TRANSMISSION (DF150Z E40)

REF NO.	PART NO.	DESCRIPTION	Q'TY	REMARKS
1-1	57110-96J40	SHAFT, DRIVE (L)	1	W/TRANSOM(L)
1-2	57110-96J30	SHAFT, DRIVE (UL)	1	W/TRANSOM(X)
2	57133-93J00	COLLAR, DRIVE SHAFT	1	
3	57134-93J00	SPACER, DRIVE SHAFT BEARING	1	
4	09159-28003	NUT	1	
5	09269-32001	BEARING (32X66X49)	1	
6	57300-96820	PINION/GEAR SET	1	
7-1	09181-60004	SHIM (T:0.45)	1	
7-2	09181-60005	SHIM (T:0.50)	1	
7-3	09181-60006	SHIM (T:0.55)	1	
7-4	09181-60007	SHIM (T:0.60)	1	
7-5	09181-60008	SHIM (T:0.65)	1	
7-6	09181-60009	SHIM (T:0.70)	1	
7-7	09181-60010	SHIM (T:0.75)	1	
7-8	09181-60011	SHIM (T:0.80)	1	
7-9	09181-60012	SHIM (T:0.85)	1	
7-10	09181-60013	SHIM (T:0.90)	1	
8	09140-16021	NUT	1	
9	08221-16256	WASHER	1	
10-1	09160-35015	WASHER (35X46X0.6)	1	PROP SHAFT REV
10-2	09160-35013	WASHER (35X46X0.8)	1	PROP SHAFT REV
10-3	09160-35010	WASHER (35X46X1.15)	1	PROP SHAFT REV
10-4	09160-35004	WASHER (35X46X1.2)	1	PROP SHAFT REV
10-5	09160-35006	WASHER (35X46X0.9)	1	PROP SHAFT REV
10-6	09160-35002	WASHER (35X46X1)	1	PROP SHAFT REV
10-7	09160-35008	WASHER (35X46X0.95)	1	PROP SHAFT REV
10-8	09160-35003	WASHER (35X46X1.1)	1	PROP SHAFT REV
10-9	09160-35009	WASHER (35X46X1.05)	1	PROP SHAFT REV
11	09160-75002	WASHER (75X100X2)	1	FWD GEAR
12-1	09181-60004	SHIM (T:0.45)	1	REV GEAR
12-2	09181-60005	SHIM (T:0.50)	1	REV GEAR
12-3	09181-60006	SHIM (T:0.55)	1	REV GEAR
12-4	09181-60007	SHIM (T:0.60)	1	REV GEAR
12-5	09181-60008	SHIM (T:0.65)	1	REV GEAR

FIG.73

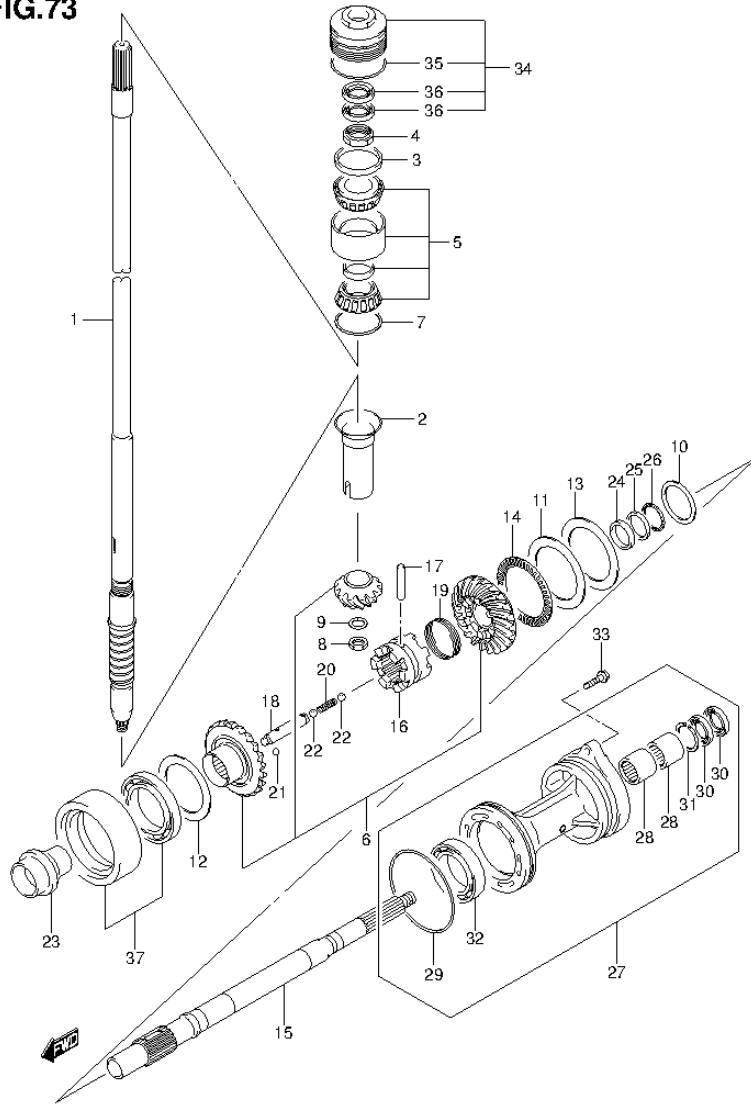


FIG.73 (1-1-8) TRANSMISSION (DF150Z E40)

REF NO.	PART NO.	DESCRIPTION	Q'TY	REMARKS
12-6	09181-60009	SHIM (T:0.70)	1	REV GEAR
12-7	09181-60010	SHIM (T:0.75)	1	REV GEAR
12-8	09181-60011	SHIM (T:0.80)	1	REV GEAR
12-9	09181-60012	SHIM (T:0.85)	1	REV GEAR
12-10	09181-60013	SHIM (T:0.90)	1	REV GEAR
13-1	09181-75018	SHIM (T:0.50)	1	FWD GEAR
13-2	09181-75019	SHIM (T:0.55)	1	FWD GEAR
13-3	09181-75012	SHIM (T:0.60)	1	FWD GEAR
13-4	09181-75013	SHIM (T:0.65)	1	FWD GEAR
13-5	09181-75008	SHIM (T:0.70)	1	FWD GEAR
13-6	09181-75014	SHIM (T:0.75)	1	FWD GEAR
13-7	09181-75009	SHIM (T:0.80)	1	FWD GEAR
13-8	09181-75015	SHIM (T:0.85)	1	FWD GEAR
13-9	09181-75010	SHIM (T:0.90)	1	FWD GEAR
13-10	09181-75016	SHIM (T:0.95)	1	FWD GEAR
13-11	09181-75011	SHIM (T:1.00)	1	FWD GEAR
14	09269-75002	BEARING (75X100X4)	1	
15	57610-93J20	SHAFT, PROPELLER	1	
16	57621-93J20	SHIFTER, CLUTCH DOG	1	
17	09202-08007	PIN (8X49)	1	
18	57631-93J00	PIN, CONNECTOR	1	
19	09440-52003	SPRING	1	
20	09440-09040	SPRING	1	
21	06111-07004	BALL	2	
22	06111-11004	BALL	2	
23	57622-93J00	SPACER, FWD THRUST	1	
24	09160-30055	WASHER (30X47X6)	1	
25	09160-30056	WASHER (32X47X3)	1	
26	09269-30014	BEARING (30X47X2)	1	
27	56120-93J13-0EP	HOUSING, PROP SFT BRG (BLACK)	1	
28	09263-30023	.BEARING (30X40X25)	2	
29	.O RING (D:3.1,ID:104.4)	1		
30	09282-30006	.OIL SEAL (30X45X6)	2	
31	09381-40003	.CIRCLIP	1	

FIG.73

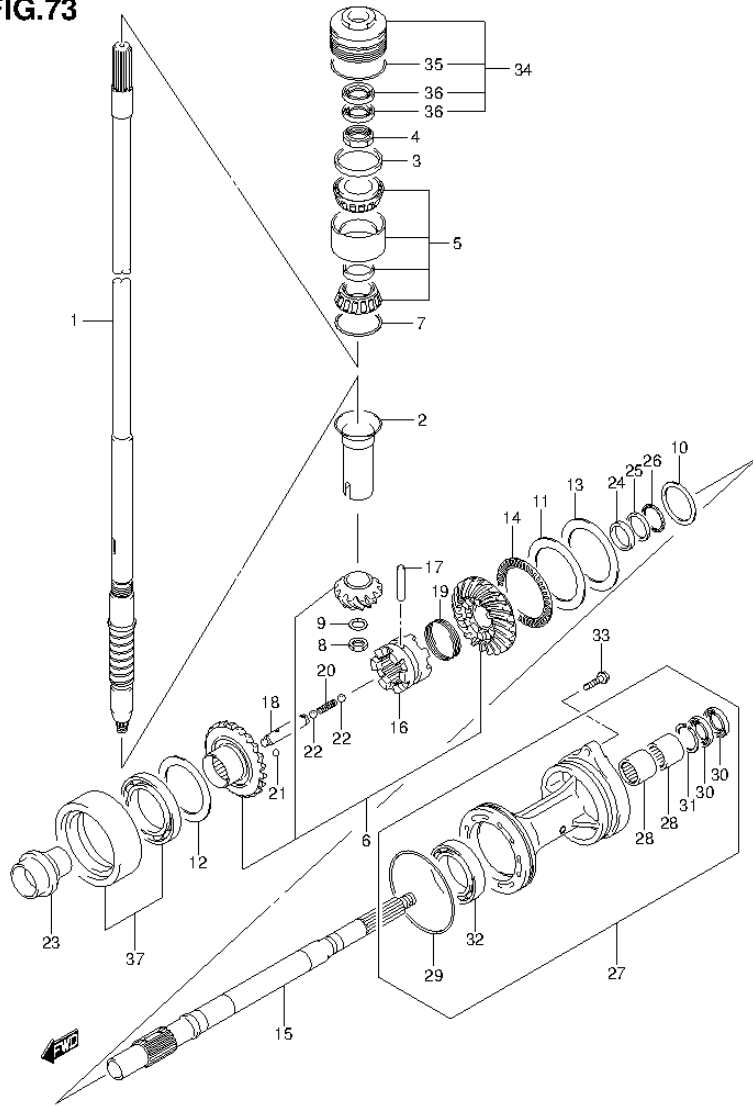


FIG.73 (1-I-9) TRANSMISSION (DF150Z E40)

REF NO.	PART NO.	DESCRIPTION	Q'TY	REMARKS
32	09263-50009	.BEARING (50X65X25)	1	
33	09116-08158	BOLT (8X35)	2	
34	56130-93J01	HOUSING, DRIVE SHAFT BRG	1	
35	09280-66004	.O RING (D:3.1,ID:65.4)	1	
36	09282-24004	.OIL SEAL (24X40X7)	2	
37	56140-93J10	HOUSING, REV GEAR BRG	1	



FIG.74

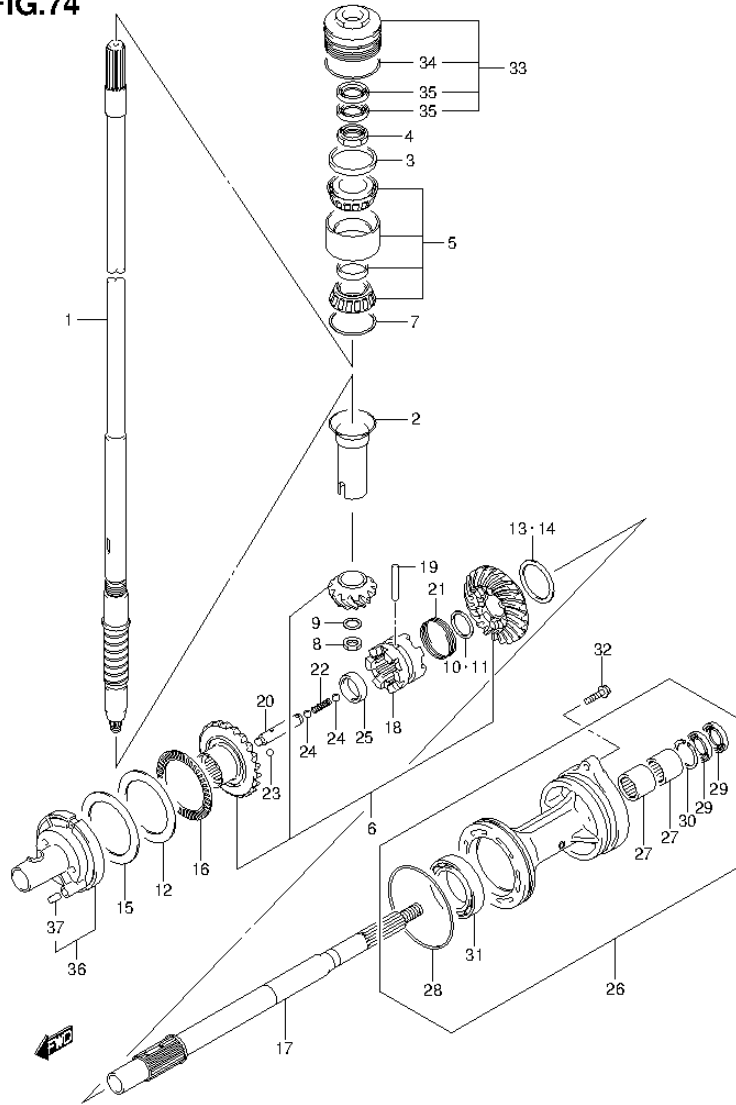


FIG.74 (1-I-10) TRANSMISSION (DF175T E1)

REF NO.	PART NO.	DESCRIPTION	Q'TY	REMARKS
1-1	57110-96J40	SHAFT, DRIVE (L)	1	W/TRANSOM(L)
1-2	57110-96J30	SHAFT, DRIVE (UL)	1	W/TRANSOM(X)
2	57133-93J00	COLLAR, DRIVE SHAFT	1	
3	57134-93J00	SPACER, DRIVE SHAFT BEARING	1	
4	09159-28003	NUT	1	
5	09269-32001	BEARING (32X66X49)	1	
6	57300-96810	PINION/GEAR SET	1	
7-1	09181-60004	SHIM (T:0.45)	1	
7-2	09181-60005	SHIM (T:0.50)	1	
7-3	09181-60006	SHIM (T:0.55)	1	
7-4	09181-60007	SHIM (T:0.60)	1	
7-5	09181-60008	SHIM (T:0.65)	1	
7-6	09181-60009	SHIM (T:0.70)	1	
7-7	09181-60010	SHIM (T:0.75)	1	
7-8	09181-60011	SHIM (T:0.80)	1	
7-9	09181-60012	SHIM (T:0.85)	1	
7-10	09181-60013	SHIM (T:0.90)	1	
8	09140-16021	NUT	1	
9	08221-16256	WASHER	1	
10	57500-87861	SHIM SET, PROP SHAFT REV	1	
11-1	08211-30382	.WASHER (30X38X1.5)	1	
11-2	09160-30036	.WASHER (30X38X1.7)	1	
11-3	09160-30037	.WASHER (30X38X1.9)	1	
11-4	09160-30038	.WASHER (30X38X2.1)	1	
11-5	08211-30384	.WASHER (30X38X2.2)	1	
11-6	09160-30039	.WASHER (30X38X2.3)	1	
11-7	09160-30041	.WASHER (30X38X2.4)	1	
11-8	08211-30385	.WASHER (30X38X2.5)	1	
11-9	09160-30042	.WASHER (30X38X2.6)	1	
11-10	09160-30043	.WASHER (30X38X2.7)	1	
11-11	09160-30044	.WASHER (30X38X2.8)	1	
12	09160-75002	WASHER (75X100X2)	1	FWD GEAR
13	57500-87852	SHIM SET, REV GEAR	1	REV GEAR
14-1	09181-50013	.SHIM (T:1.00)	1	REV GEAR

FIG.74

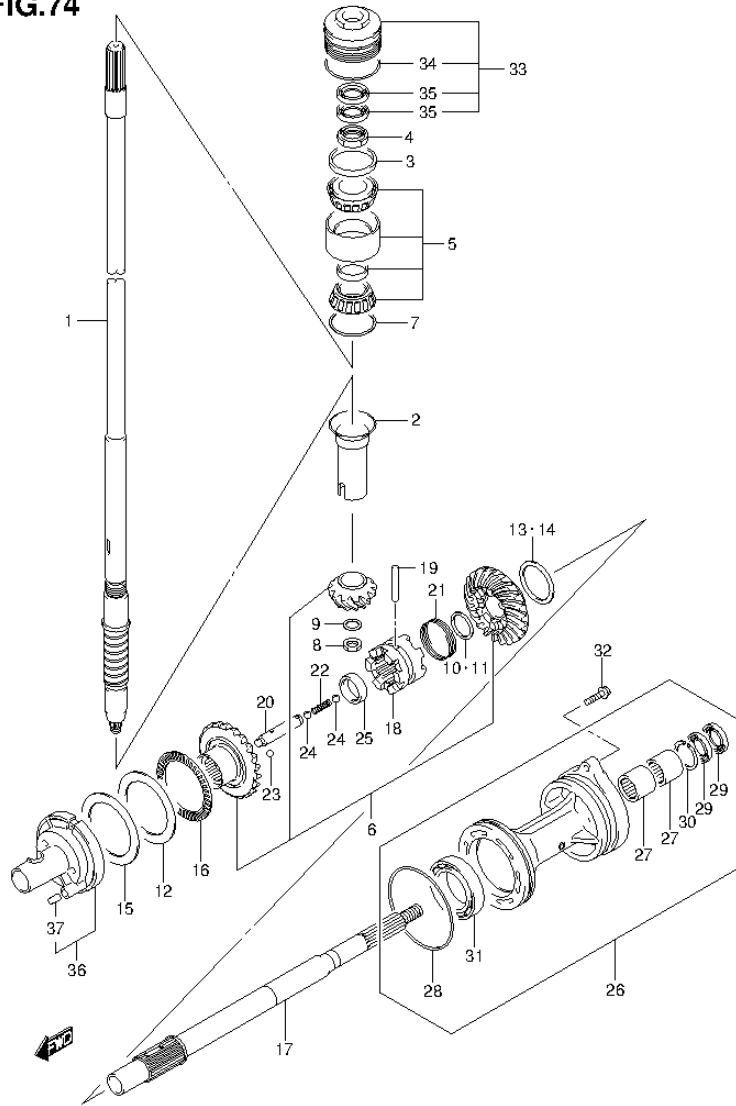


FIG.74 (1-I-11) TRANSMISSION (DF175T E1)

REF NO.	PART NO.	DESCRIPTION	Q'TY	REMARKS
14-2	09181-50012	.SHIM (T:1.10)	1	REV GEAR
14-3	09181-50005	.SHIM (T:1.20)	1	REV GEAR
14-4	09181-50006	.SHIM (T:1.30)	1	REV GEAR
14-5	09181-50007	.SHIM (T:1.40)	1	REV GEAR
14-6	09181-50008	.SHIM (T:1.50)	1	REV GEAR
14-7	09181-50009	.SHIM (T:1.60)	1	REV GEAR
14-8	09181-50010	.SHIM (T:1.70)	1	REV GEAR
15-1	09181-75018	SHIM (T:0.50)	1	FWD GEAR
15-2	09181-75019	SHIM (T:0.55)	1	FWD GEAR
15-3	09181-75012	SHIM (T:0.60)	1	FWD GEAR
15-4	09181-75013	SHIM (T:0.65)	1	FWD GEAR
15-5	09181-75008	SHIM (T:0.70)	1	FWD GEAR
15-6	09181-75014	SHIM (T:0.75)	1	FWD GEAR
15-7	09181-75009	SHIM (T:0.80)	1	FWD GEAR
15-8	09181-75015	SHIM (T:0.85)	1	FWD GEAR
15-9	09181-75010	SHIM (T:0.90)	1	FWD GEAR
15-10	09181-75016	SHIM (T:0.95)	1	FWD GEAR
15-11	09181-75011	SHIM (T:1.00)	1	FWD GEAR
16	09269-75002	BEARING (75X100X4)	1	
17	57610-93J00	SHAFT, PROPELLER	1	
18	57621-93J10	SHIFTER, CLUTCH DOG	1	
19	09202-08007	PIN (8X49)	1	
20	57631-93J00	PIN, CONNECTOR	1	
21	09440-52003	SPRING	1	
22	09440-09040	SPRING	1	
23	06111-07004	BALL	2	
24	06111-11004	BALL	2	
25	09180-25082	SPACER (25X36.5X9.5)	1	
26-1	56120-93J03-0EP	HOUSING, PROP SFT BRG (BLACK)	1	
26-2	56120-93J03-Y5S	HOUSING, PROP SFT BRG (WHITE)	1	
27	09263-30023	.BEARING (30X40X25)	2	
28	09280-00040	.O RING (D:3.1,ID:104.4)	1	
29	09282-30006	.OIL SEAL (30X45X6)	2	
30	09381-40003	.CIRCLIP	1	
31	08113-60100	.BEARING	1	

FIG.74

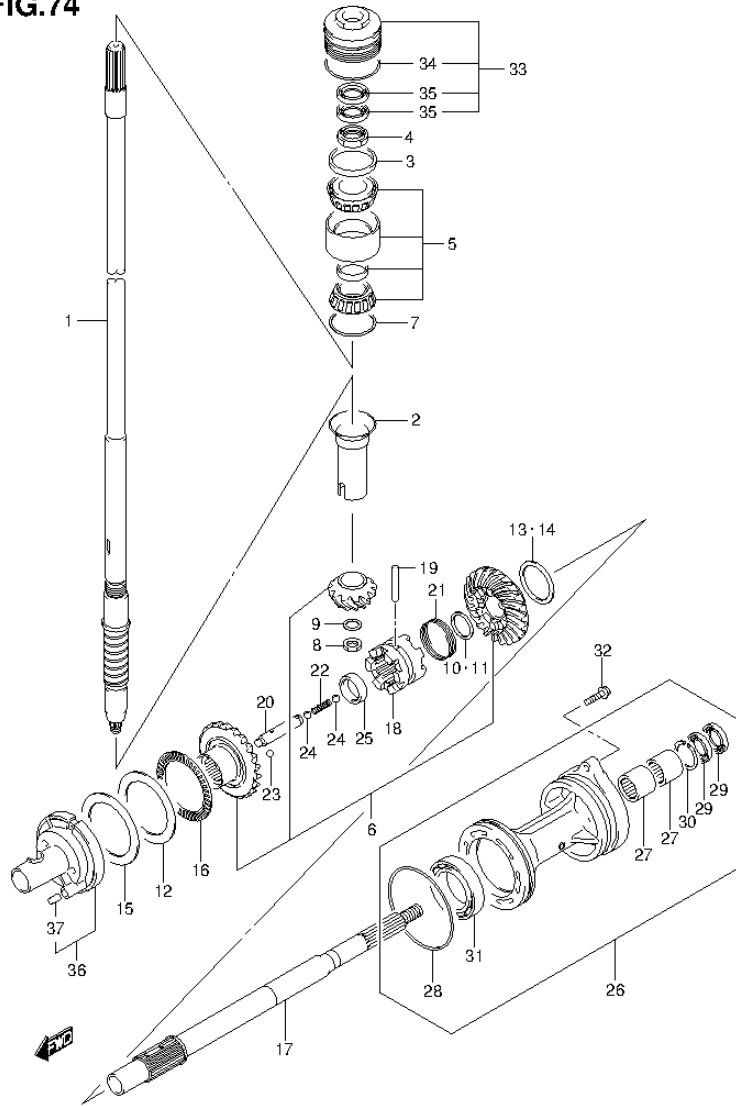


FIG.74 (1-I-12) TRANSMISSION (DF175T E1)

REF NO.	PART NO.	DESCRIPTION	Q'TY	REMARKS
32	09116-08158	BOLT (8X35)	2	
33	56130-93J01	HOUSING, DRIVE SHAFT BRG	1	
34	09280-66004	.O RING (D:3.1,ID:65.4)	1	
35	09282-24004	.OIL SEAL (24X40X7)	2	
36	56140-93J01	HOUSING, FWD GEAR BRG	1	
37	04221-08129	.PIN	1	

FIG.75

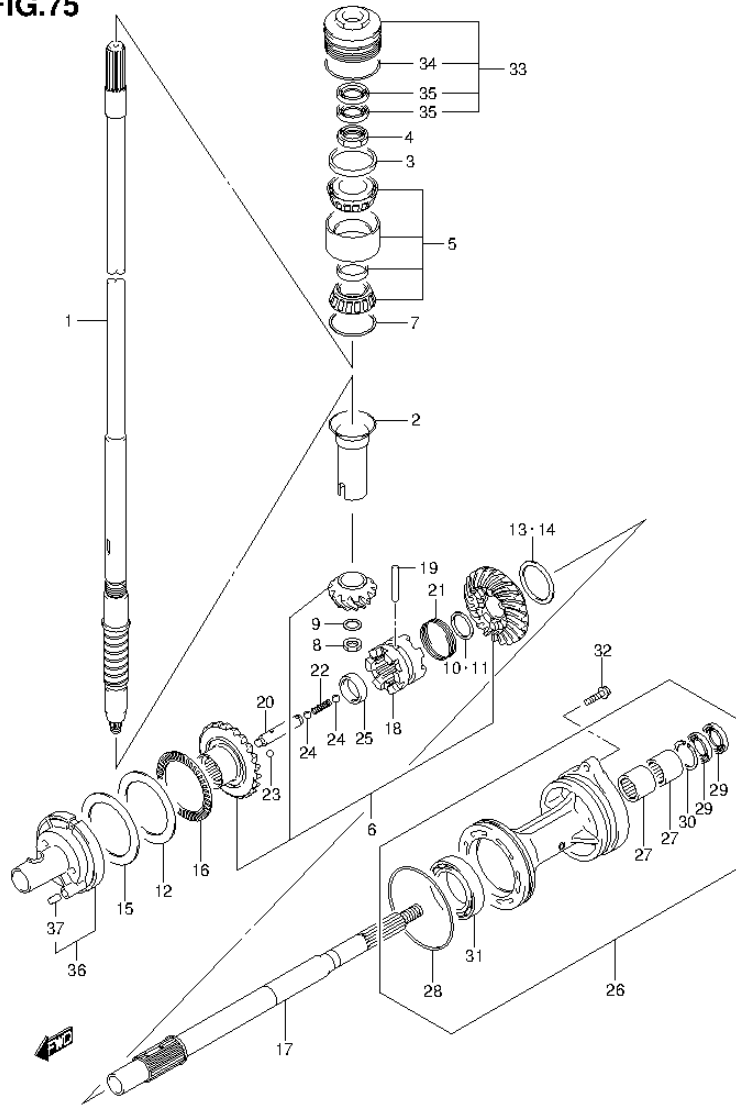


FIG.75 (1-I-13) TRANSMISSION (DF175T E40)

REF NO.	PART NO.	DESCRIPTION	Q'TY	REMARKS
1-1	57110-96J40	SHAFT, DRIVE (L)	1	W/TRANSOM(L)
1-2	57110-96J30	SHAFT, DRIVE (UL)	1	W/TRANSOM(X)
2	57133-93J00	COLLAR, DRIVE SHAFT	1	
3	57134-93J00	SPACER, DRIVE SHAFT BEARING	1	
4	09159-28003	NUT	1	
5	09269-32001	BEARING (32X66X49)	1	
6	57300-96810	PINION/GEAR SET	1	
7-1	09181-60004	SHIM (T:0.45)	1	
7-2	09181-60005	SHIM (T:0.50)	1	
7-3	09181-60006	SHIM (T:0.55)	1	
7-4	09181-60007	SHIM (T:0.60)	1	
7-5	09181-60008	SHIM (T:0.65)	1	
7-6	09181-60009	SHIM (T:0.70)	1	
7-7	09181-60010	SHIM (T:0.75)	1	
7-8	09181-60011	SHIM (T:0.80)	1	
7-9	09181-60012	SHIM (T:0.85)	1	
7-10	09181-60013	SHIM (T:0.90)	1	
8	09140-16021	NUT	1	
9	08221-16256	WASHER	1	
10	57500-87861	SHIM SET, PROP SHAFT REV	1	
11-1	08211-30382	.WASHER (30X38X1.5)	1	
11-2	09160-30036	.WASHER (30X38X1.7)	1	
11-3	09160-30037	.WASHER (30X38X1.9)	1	
11-4	09160-30038	.WASHER (30X38X2.1)	1	
11-5	08211-30384	.WASHER (30X38X2.2)	1	
11-6	09160-30039	.WASHER (30X38X2.3)	1	
11-7	09160-30041	.WASHER (30X38X2.4)	1	
11-8	08211-30385	.WASHER (30X38X2.5)	1	
11-9	09160-30042	.WASHER (30X38X2.6)	1	
11-10	09160-30043	.WASHER (30X38X2.7)	1	
11-11	09160-30044	.WASHER (30X38X2.8)	1	
12	09160-75002	WASHER (75X100X2)	1	FWD GEAR
13	57500-87852	SHIM SET, REV GEAR	1	REV GEAR
14-1	09181-50013	.SHIM (T:1.00)	1	REV GEAR

FIG.75

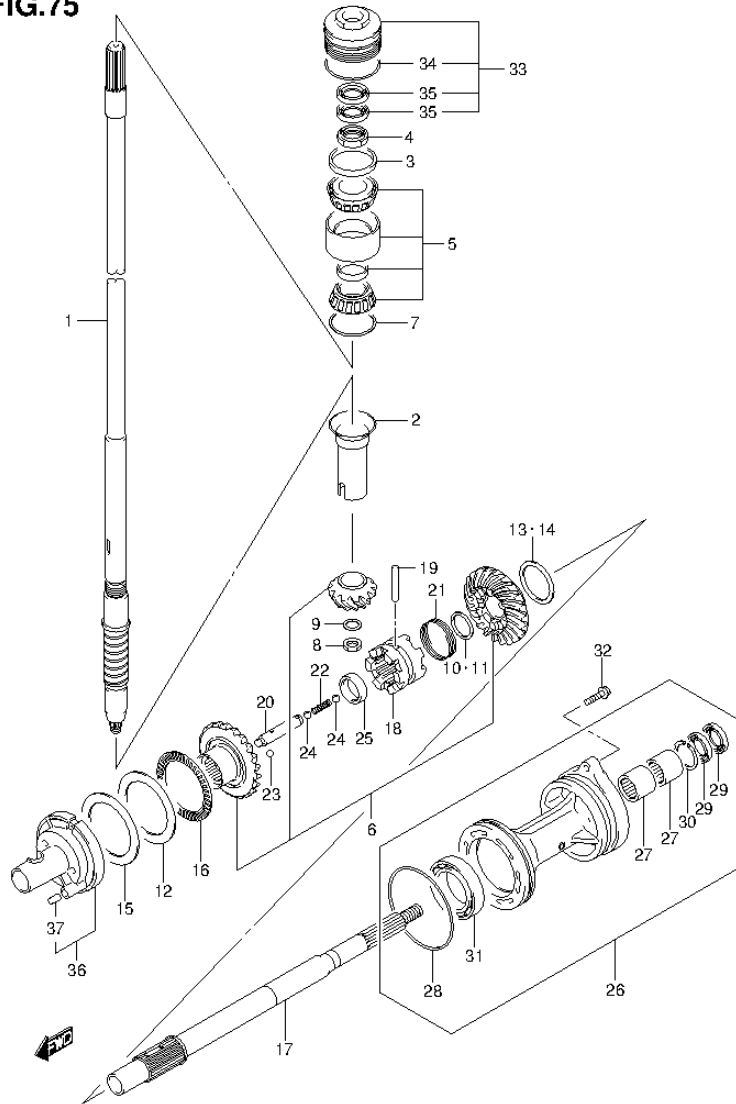


FIG.75 (1-1-14) TRANSMISSION (DF175T E40)

REF NO.	PART NO.	DESCRIPTION	Q'TY	REMARKS
14-2	09181-50012	.SHIM (T:1.10)	1	REV GEAR
14-3	09181-50005	.SHIM (T:1.20)	1	REV GEAR
14-4	09181-50006	.SHIM (T:1.30)	1	REV GEAR
14-5	09181-50007	.SHIM (T:1.40)	1	REV GEAR
14-6	09181-50008	.SHIM (T:1.50)	1	REV GEAR
14-7	09181-50009	.SHIM (T:1.60)	1	REV GEAR
14-8	09181-50010	.SHIM (T:1.70)	1	REV GEAR
15-1	09181-75018	SHIM (T:0.50)	1	FWD GEAR
15-2	09181-75019	SHIM (T:0.55)	1	FWD GEAR
15-3	09181-75012	SHIM (T:0.60)	1	FWD GEAR
15-4	09181-75013	SHIM (T:0.65)	1	FWD GEAR
15-5	09181-75008	SHIM (T:0.70)	1	FWD GEAR
15-6	09181-75014	SHIM (T:0.75)	1	FWD GEAR
15-7	09181-75009	SHIM (T:0.80)	1	FWD GEAR
15-8	09181-75015	SHIM (T:0.85)	1	FWD GEAR
15-9	09181-75010	SHIM (T:0.90)	1	FWD GEAR
15-10	09181-75016	SHIM (T:0.95)	1	FWD GEAR
15-11	09181-75011	SHIM (T:1.00)	1	FWD GEAR
16	09269-75002	BEARING (75X100X4)	1	
17	57610-93J00	SHAFT, PROPELLER	1	
18	57621-93J10	SHIFTER, CLUTCH DOG	1	
19	09202-08007	PIN (8X49)	1	
20	57631-93J00	PIN, CONNECTOR	1	
21	09440-52003	SPRING	1	
22	09440-09040	SPRING	1	
23	06111-07004	BALL	2	
24	06111-11004	BALL	2	
25	09180-25082	SPACER (25X36.5X9.5)	1	
26	56120-93J03-0EP	HOUSING, PROP SFT BRG (BLACK)	1	
27	09263-30023	.BEARING (30X40X25)	2	
28	09280-00040	.O RING (D:3.1,ID:104.4)	1	
29	09282-30006	.OIL SEAL (30X45X6)	2	
30	09381-40003	.CIRCLIP	1	
31	08113-60100	.BEARING	1	

FIG.75

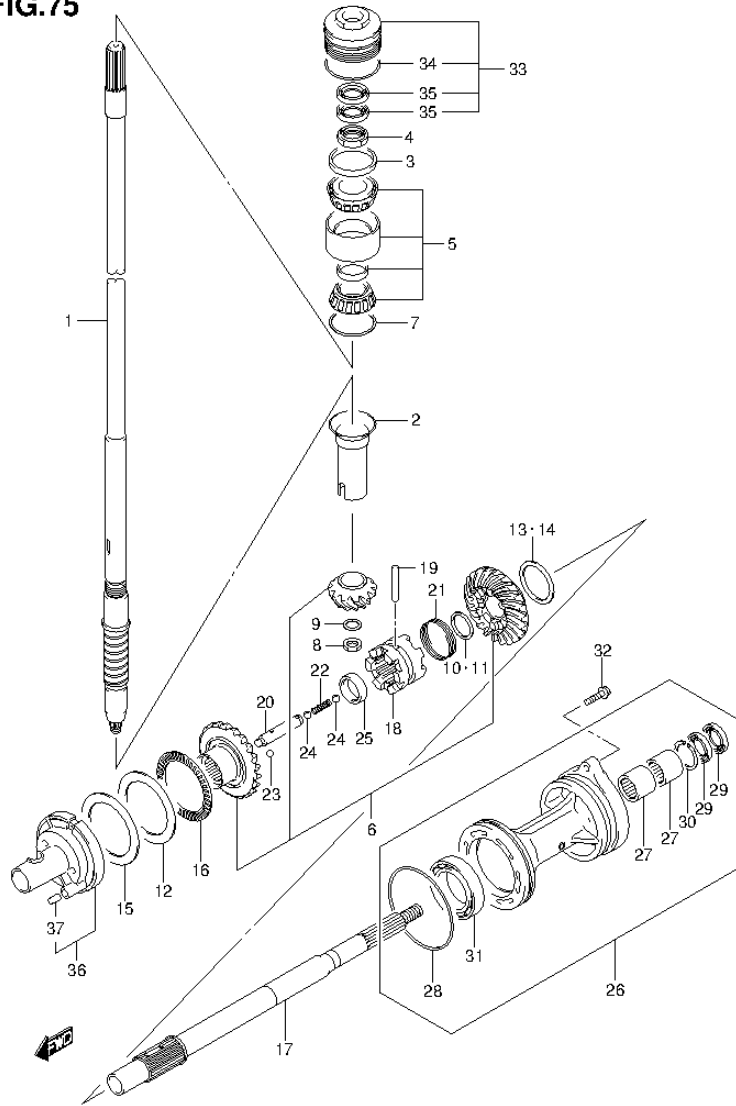


FIG.75 (1-I-15) TRANSMISSION (DF175T E40)

REF NO.	PART NO.	DESCRIPTION	Q'TY	REMARKS
32	09116-08158	BOLT (8X35)	2	
33	56130-93J01	HOUSING, DRIVE SHAFT BRG	1	
34	09280-66004	.O RING (D:3.1,ID:65.4)	1	
35	09282-24004	.OIL SEAL (24X40X7)	2	
36	56140-93J01	HOUSING, FWD GEAR BRG	1	
37	04221-08129	.PIN	1	

FIG.76

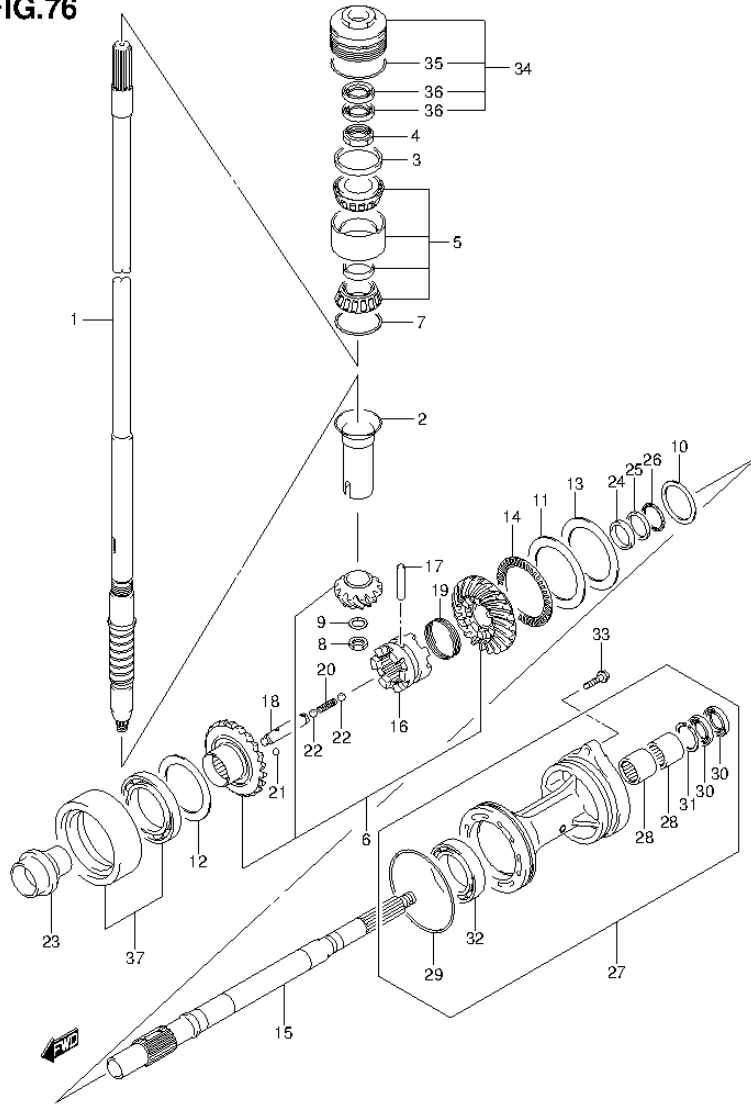


FIG.76 (1-J-2) TRANSMISSION (DF175Z E1)

REF NO.	PART NO.	DESCRIPTION	Q'TY	REMARKS
1-1	57110-96J40	SHAFT, DRIVE (L)	1	W/TRANSOM(L)
1-2	57110-96J30	SHAFT, DRIVE (UL)	1	W/TRANSOM(X)
2	57133-93J00	COLLAR, DRIVE SHAFT	1	
3	57134-93J00	SPACER, DRIVE SHAFT BEARING	1	
4	09159-28003	NUT	1	
5	09269-32001	BEARING (32X66X49)	1	
6	57300-96820	PINION/GEAR SET	1	
7-1	09181-60004	SHIM (T:0.45)	1	
7-2	09181-60005	SHIM (T:0.50)	1	
7-3	09181-60006	SHIM (T:0.55)	1	
7-4	09181-60007	SHIM (T:0.60)	1	
7-5	09181-60008	SHIM (T:0.65)	1	
7-6	09181-60009	SHIM (T:0.70)	1	
7-7	09181-60010	SHIM (T:0.75)	1	
7-8	09181-60011	SHIM (T:0.80)	1	
7-9	09181-60012	SHIM (T:0.85)	1	
7-10	09181-60013	SHIM (T:0.90)	1	
8	09140-16021	NUT	1	
9	08221-16256	WASHER	1	
10-1	09160-35015	WASHER (35X46X0.6)	1	PROP SHAFT REV
10-2	09160-35013	WASHER (35X46X0.8)	1	PROP SHAFT REV
10-3	09160-35010	WASHER (35X46X1.15)	1	PROP SHAFT REV
10-4	09160-35004	WASHER (35X46X1.2)	1	PROP SHAFT REV
10-5	09160-35006	WASHER (35X46X0.9)	1	PROP SHAFT REV
10-6	09160-35002	WASHER (35X46X1)	1	PROP SHAFT REV
10-7	09160-35008	WASHER (35X46X0.95)	1	PROP SHAFT REV
10-8	09160-35003	WASHER (35X46X1.1)	1	PROP SHAFT REV
10-9	09160-35009	WASHER (35X46X1.05)	1	PROP SHAFT REV
11	09160-75002	WASHER (75X100X2)	1	FWD GEAR
12-1	09181-60004	SHIM (T:0.45)	1	REV GEAR
12-2	09181-60005	SHIM (T:0.50)	1	REV GEAR
12-3	09181-60006	SHIM (T:0.55)	1	REV GEAR
12-4	09181-60007	SHIM (T:0.60)	1	REV GEAR
12-5	09181-60008	SHIM (T:0.65)	1	REV GEAR





FIG.76

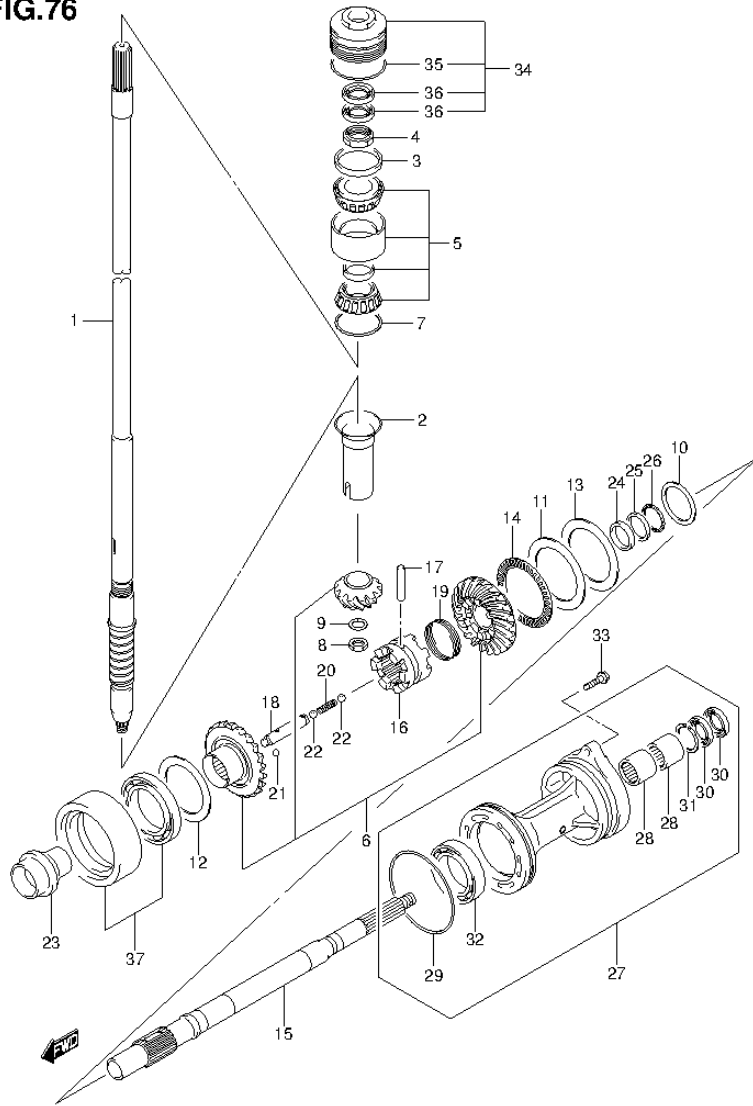


FIG.76 (1-J-4) TRANSMISSION (DF175Z E1)

REF NO.	PART NO.	DESCRIPTION	Q'TY	REMARKS
32	09263-50009	.BEARING (50X65X25)	1	
33	09116-08158	BOLT (8X35)	2	
34	56130-93J01	HOUSING, DRIVE SHAFT BRG	1	
35	09280-66004	.O RING (D:3.1,ID:65.4)	1	
36	09282-24004	.OIL SEAL (24X40X7)	2	
37	56140-93J10	HOUSING, REV GEAR BRG	1	

FIG.77

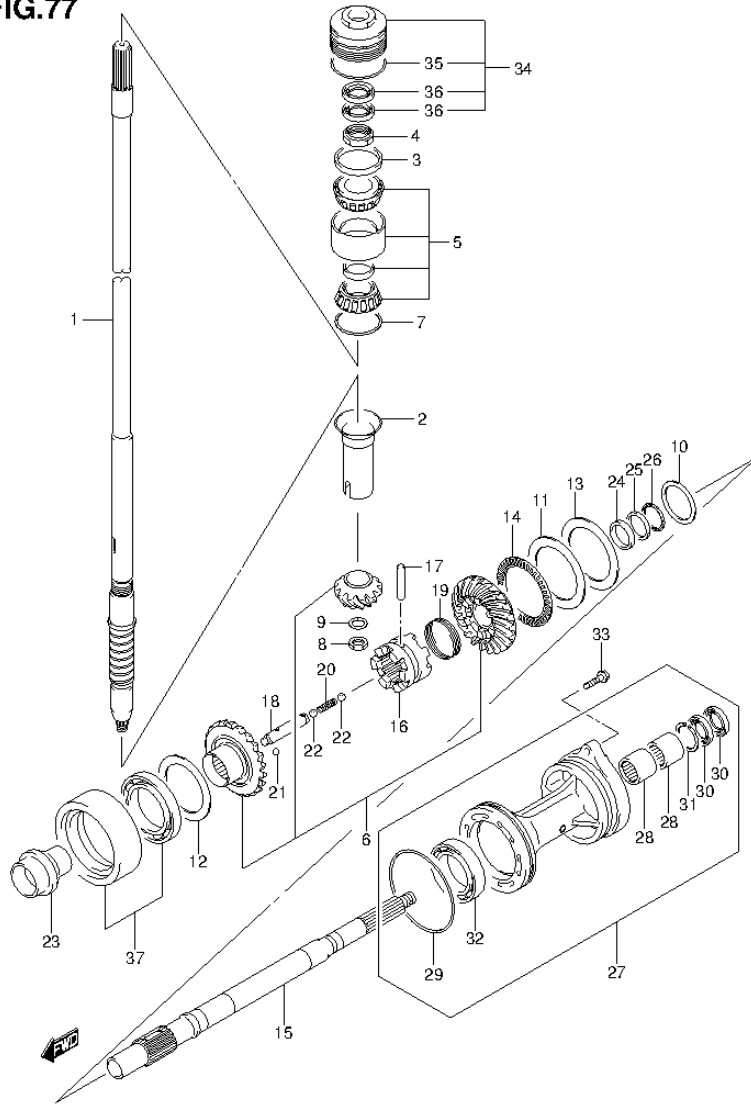


FIG.77 (1-J-5) TRANSMISSION (DF175Z E40)

REF NO.	PART NO.	DESCRIPTION	Q'TY	REMARKS
1-1	57110-96J40	SHAFT, DRIVE (L)	1	W/TRANSOM(L)
1-2	57110-96J30	SHAFT, DRIVE (UL)	1	W/TRANSOM(X)
2	57133-93J00	COLLAR, DRIVE SHAFT	1	
3	57134-93J00	SPACER, DRIVE SHAFT BEARING	1	
4	09159-28003	NUT	1	
5	09269-32001	BEARING (32X66X49)	1	
6	57300-96820	PINION/GEAR SET	1	
7-1	09181-60004	SHIM (T:0.45)	1	
7-2	09181-60005	SHIM (T:0.50)	1	
7-3	09181-60006	SHIM (T:0.55)	1	
7-4	09181-60007	SHIM (T:0.60)	1	
7-5	09181-60008	SHIM (T:0.65)	1	
7-6	09181-60009	SHIM (T:0.70)	1	
7-7	09181-60010	SHIM (T:0.75)	1	
7-8	09181-60011	SHIM (T:0.80)	1	
7-9	09181-60012	SHIM (T:0.85)	1	
7-10	09181-60013	SHIM (T:0.90)	1	
8	09140-16021	NUT	1	
9	08221-16256	WASHER	1	
10-1	09160-35015	WASHER (35X46X0.6)	1	PROP SHAFT REV
10-2	09160-35013	WASHER (35X46X0.8)	1	PROP SHAFT REV
10-3	09160-35010	WASHER (35X46X1.15)	1	PROP SHAFT REV
10-4	09160-35004	WASHER (35X46X1.2)	1	PROP SHAFT REV
10-5	09160-35006	WASHER (35X46X0.9)	1	PROP SHAFT REV
10-6	09160-35002	WASHER (35X46X1)	1	PROP SHAFT REV
10-7	09160-35008	WASHER (35X46X0.95)	1	PROP SHAFT REV
10-8	09160-35003	WASHER (35X46X1.1)	1	PROP SHAFT REV
10-9	09160-35009	WASHER (35X46X1.05)	1	PROP SHAFT REV
11	09160-75002	WASHER (75X100X2)	1	FWD GEAR
12-1	09181-60004	SHIM (T:0.45)	1	REV GEAR
12-2	09181-60005	SHIM (T:0.50)	1	REV GEAR
12-3	09181-60006	SHIM (T:0.55)	1	REV GEAR
12-4	09181-60007	SHIM (T:0.60)	1	REV GEAR
12-5	09181-60008	SHIM (T:0.65)	1	REV GEAR

FIG.77

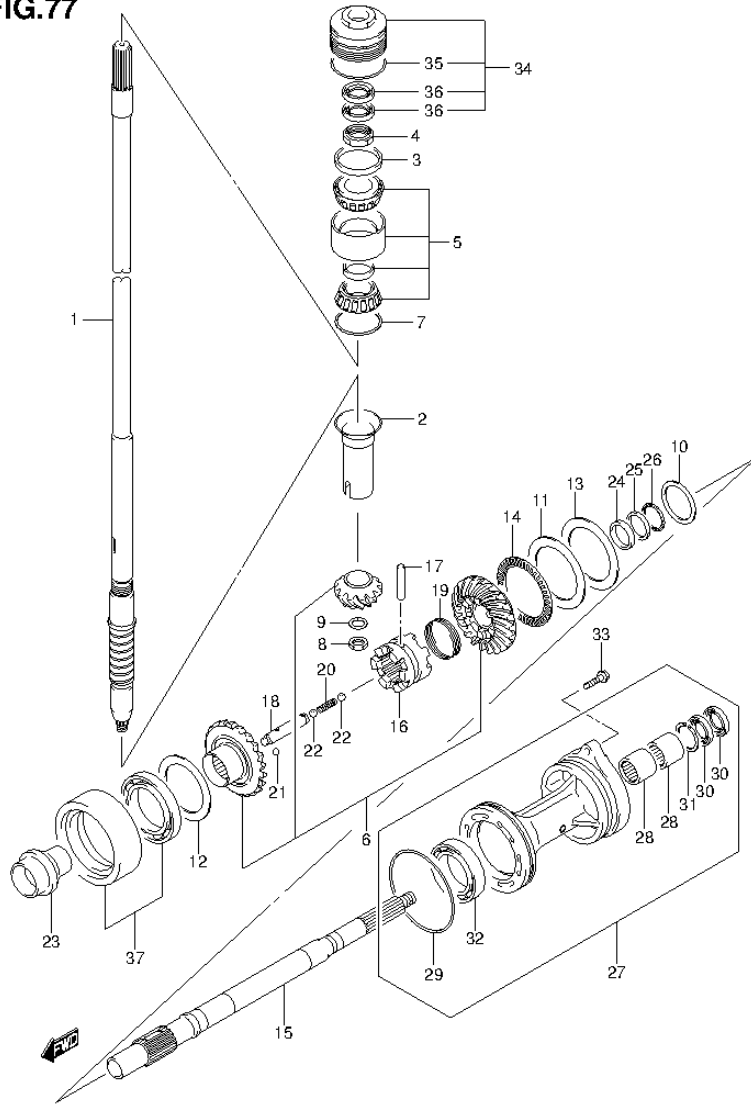


FIG.77 (1-J-6) TRANSMISSION (DF175Z E40)

REF NO.	PART NO.	DESCRIPTION	Q'TY	REMARKS
12-6	09181-60009	SHIM (T:0.70)	1	REV GEAR
12-7	09181-60010	SHIM (T:0.75)	1	REV GEAR
12-8	09181-60011	SHIM (T:0.80)	1	REV GEAR
12-9	09181-60012	SHIM (T:0.85)	1	REV GEAR
12-10	09181-60013	SHIM (T:0.90)	1	REV GEAR
13-1	09181-75018	SHIM (T:0.50)	1	FWD GEAR
13-2	09181-75019	SHIM (T:0.55)	1	FWD GEAR
13-3	09181-75012	SHIM (T:0.60)	1	FWD GEAR
13-4	09181-75013	SHIM (T:0.65)	1	FWD GEAR
13-5	09181-75008	SHIM (T:0.70)	1	FWD GEAR
13-6	09181-75014	SHIM (T:0.75)	1	FWD GEAR
13-7	09181-75009	SHIM (T:0.80)	1	FWD GEAR
13-8	09181-75015	SHIM (T:0.85)	1	FWD GEAR
13-9	09181-75010	SHIM (T:0.90)	1	FWD GEAR
13-10	09181-75016	SHIM (T:0.95)	1	FWD GEAR
13-11	09181-75011	SHIM (T:1.00)	1	FWD GEAR
14	09269-75002	BEARING (75X100X4)	1	
15	57610-93J20	SHAFT, PROPELLER	1	
16	57621-93J20	SHIFTER, CLUTCH DOG	1	
17	09202-08007	PIN (8X49)	1	
18	57631-93J00	PIN, CONNECTOR	1	
19	09440-52003	SPRING	1	
20	09440-09040	SPRING	1	
21	06111-07004	BALL	2	
22	06111-11004	BALL	2	
23	57622-93J00	SPACER, FWD THRUST	1	
24	09160-30055	WASHER (30X47X6)	1	
25	09160-30056	WASHER (32X47X3)	1	
26	09269-30014	BEARING (30X47X2)	1	
27	56120-93J13-0EP	HOUSING, PROP SFT BRG (BLACK)	1	
28	09263-30023	.BEARING (30X40X25)	2	
29	09280-00040	.O RING (D:3.1,ID:104.4)	1	
30	09282-30006	.OIL SEAL (30X45X6)	2	
31	09381-40003	.CIRCLIP	1	

FIG.77

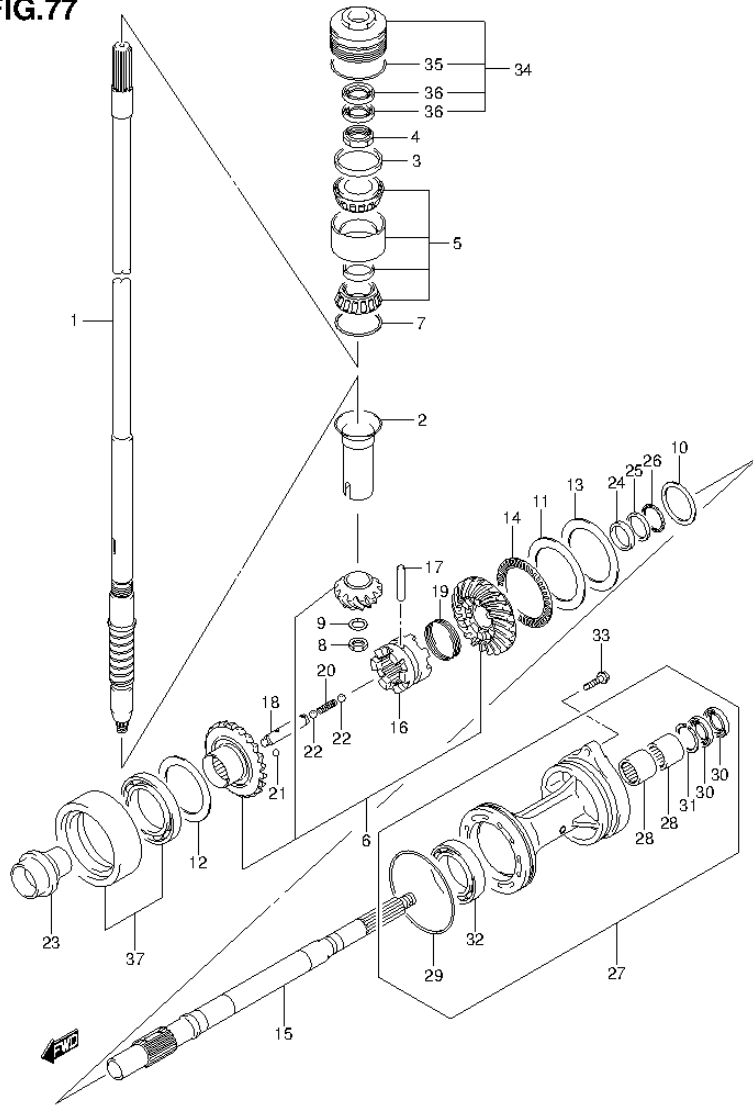


FIG.77 (1-J-7) TRANSMISSION (DF175Z E40)

REF NO.	PART NO.	DESCRIPTION	Q'TY	REMARKS
32	09263-50009	.BEARING (50X65X25)	1	
33	09116-08158	BOLT (8X35)	2	
34	56130-93J01	HOUSING, DRIVE SHAFT BRG	1	
35	09280-66004	.O RING (D:3.1,ID:65.4)	1	
36	09282-24004	.OIL SEAL (24X40X7)	2	
37	56140-93J10	HOUSING, REV GEAR BRG	1	

FIG.78

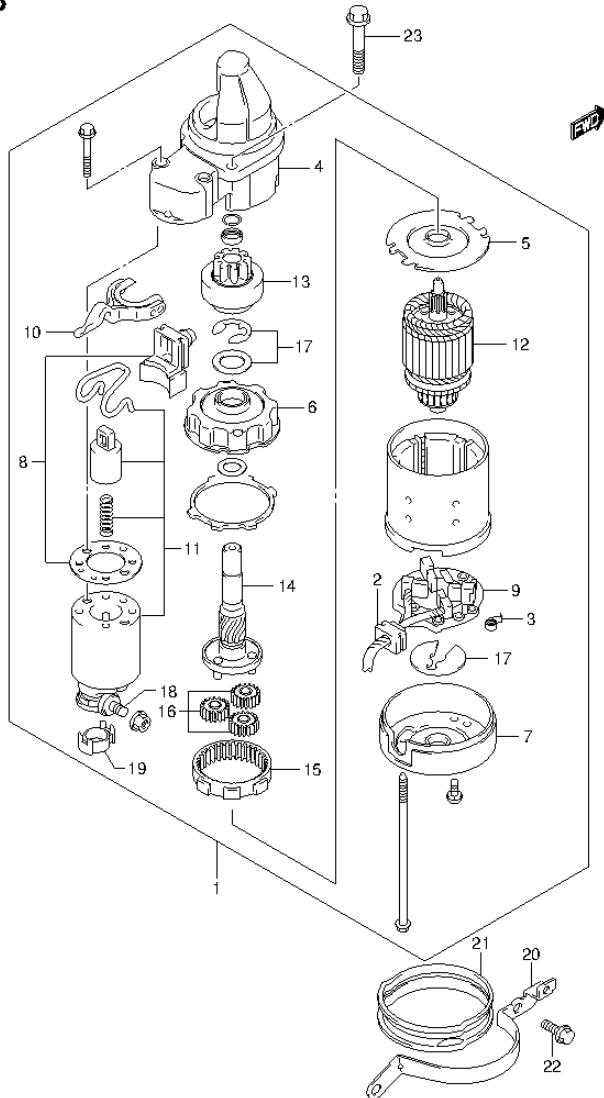


FIG.78 (1-J-8) STARTING MOTOR

REF NO.	PART NO.	DESCRIPTION	Q'TY	REMARKS
1	31100-96J01	STARTING MOTOR	1	
2	31131-90J01	.BRUSH SET, PLUS	1	
3	31135-90J00	.SPRING	4	
4	31151-94J00	.CASE, GEAR	1	
5	31152-90J00	.PLATE, CENTER	1	
6	31153-90J00	.BRACKET, PLANET GEAR	1	
7	31170-90J00	.COVER REAR	1	
8	31171-96J00	.COVER KIT, DUST	1	
9	31173-90J01	.HOLDER, BRUSH	1	
10	31191-96J00	.LEVER, SHIFT	1	
11	31220-94J00	.SWITCH, MAGNET	1	
12	31310-90J00	.ARMATURE	1	
13	31320-93J00	.PINION	1	
14	31341-93J00	.SHAFT, PINION	1	
15	31343-90J00	.INTERNAL GEAR	1	
16	31344-90J00	.GEAR, PLANETARY	3	
17	31360-93J01	.WASHER SET	1	
18	31913-93J00	.TERMINAL	1	
19	31914-93J00	.CAP, TERMINAL	1	
20	31912-96J00	BAND, STARTING MOTOR	1	
21	31918-90J10	DAMPER, LOWER	1	
22	01550-08207	BOLT	2	
23	01550-08357	BOLT	2	

FIG.79

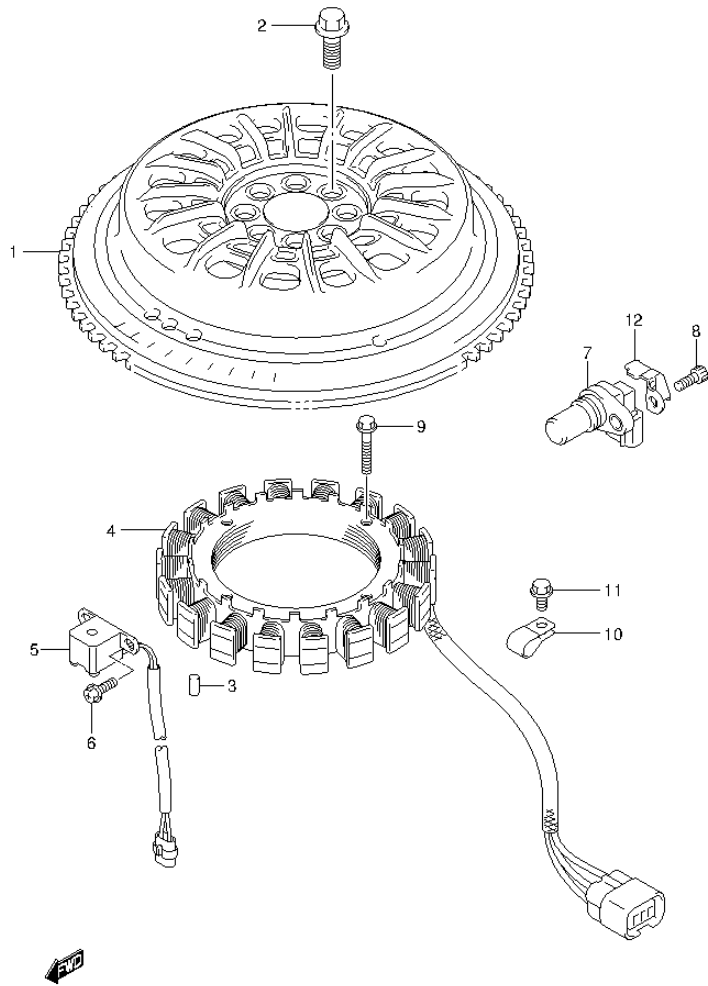
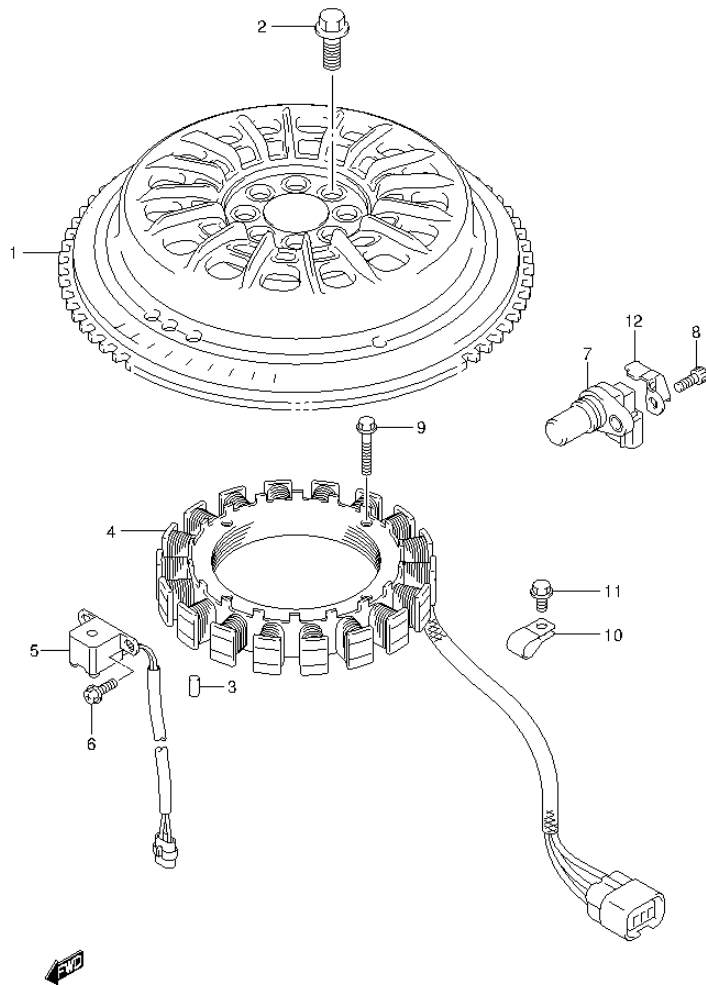


FIG.79 (1-J-9) MAGNETO (DF150T E1)

REF NO.	PART NO.	DESCRIPTION	Q'TY	REMARKS
1	32102-96J02	FLYWHEEL	1	
2	09103-12071	BOLT (12X26)	8	
3	09202-06031	PIN (6X12)	1	
4	32120-96J00	COIL, BATTERY CHARGING	1	
5	32160-88L10	COIL, IGNITION TIMING	1	
6	09106-05030	BOLT (5X10)	2	
7	33220-58J20	SENSOR, CAM POSITION	1	
8	07130-06167	BOLT	1	
9	09103-06231	BOLT (6X35)	4	
10	09403-13408	CLAMP	1	
11	01550-06127	BOLT	1	
12	11185-96J00	COVER, SENSOR	1	

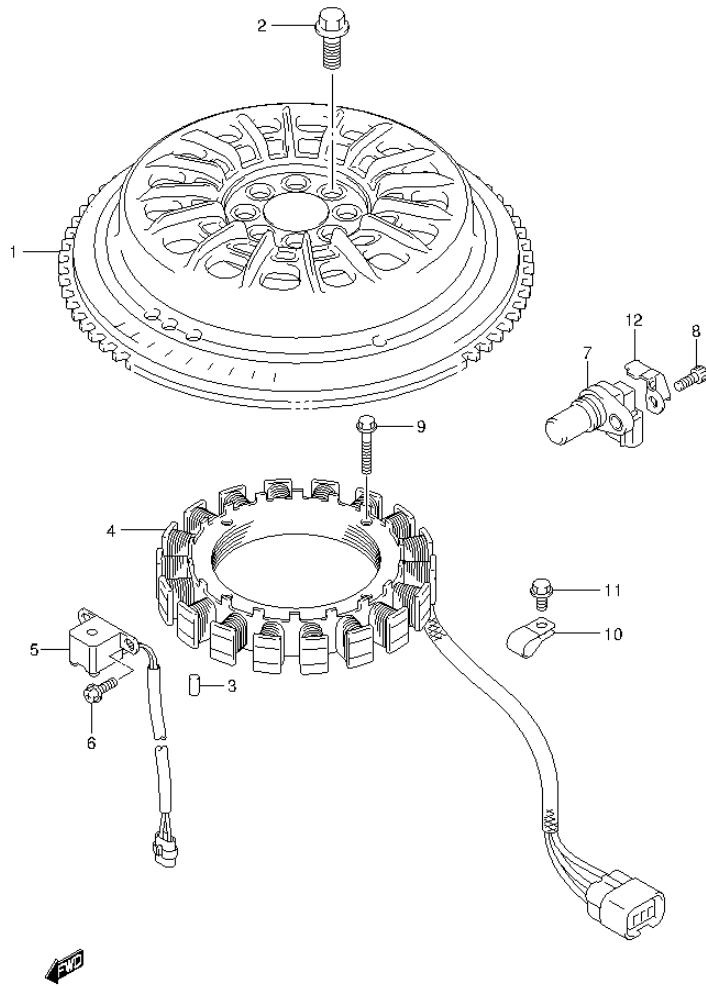
**FIG.80**



**FIG.80 (1-J-10) MAGNETO (DF150T E40)**

REF NO.	PART NO.	DESCRIPTION	Q'TY	REMARKS
1	32102-96J02	FLYWHEEL	1	
2	09103-12071	BOLT (12X26)	8	
3	09202-06031	PIN (6X12)	1	
4	32120-96J00	COIL, BATTERY CHARGING	1	
5	32160-88L10	COIL, IGNITION TIMING	1	
6	09106-05030	BOLT (5X10)	2	
7	33220-58J20	SENSOR, CAM POSITION	1	
8	07130-06167	BOLT	1	
9	09103-06231	BOLT (6X35)	4	
10	09403-13408	CLAMP	1	
11	01550-06127	BOLT	1	
12	11185-96J00	COVER, SENSOR	1	

**FIG.81**



**FIG.81 (1-J-11) MAGNETO (DF150Z E1)**

REF NO.	PART NO.	DESCRIPTION	Q'TY	REMARKS
1	32102-96J02	FLYWHEEL	1	
2	09103-12071	BOLT (12X26)	8	
3	09202-06031	PIN (6X12)	1	
4	32120-96J00	COIL, BATTERY CHARGING	1	
5	32160-88L10	COIL, IGNITION TIMING	1	
6	09106-05030	BOLT (5X10)	2	
7	33220-58J20	SENSOR, CAM POSITION	1	
8	07130-06167	BOLT	1	
9	09103-06231	BOLT (6X35)	4	
10	09403-13408	CLAMP	1	
11	01550-06127	BOLT	1	
12	11185-96J00	COVER, SENSOR	1	



FIG.82

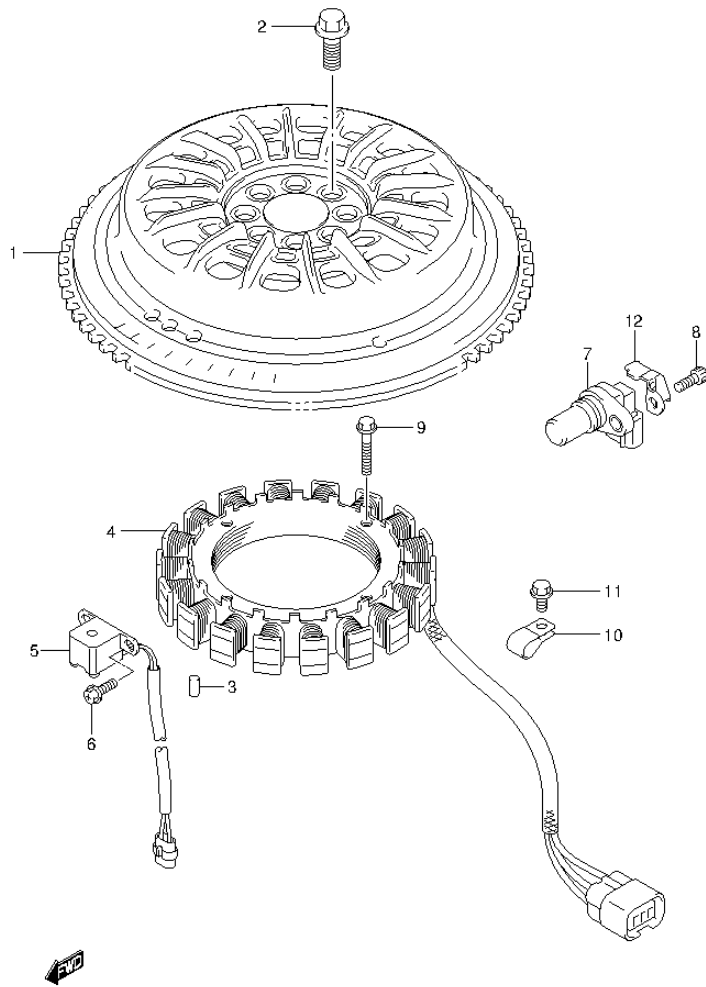


FIG.82 (1-J-12) MAGNETO (DF150Z E40)

REF NO.	PART NO.	DESCRIPTION	Q'TY	REMARKS
1	32102-96J02	FLYWHEEL	1	
2	09103-12071	BOLT (12X26)	8	
3	09202-06031	PIN (6X12)	1	
4	32120-96J00	COIL, BATTERY CHARGING	1	
5	32160-88L10	COIL, IGNITION TIMING	1	
6	09106-05030	BOLT (5X10)	2	
7	33220-58J20	SENSOR, CAM POSITION	1	
8	07130-06167	BOLT	1	
9	09103-06231	BOLT (6X35)	4	
10	09403-13408	CLAMP	1	
11	01550-06127	BOLT	1	
12	11185-96J00	COVER, SENSOR	1	

FIG.83

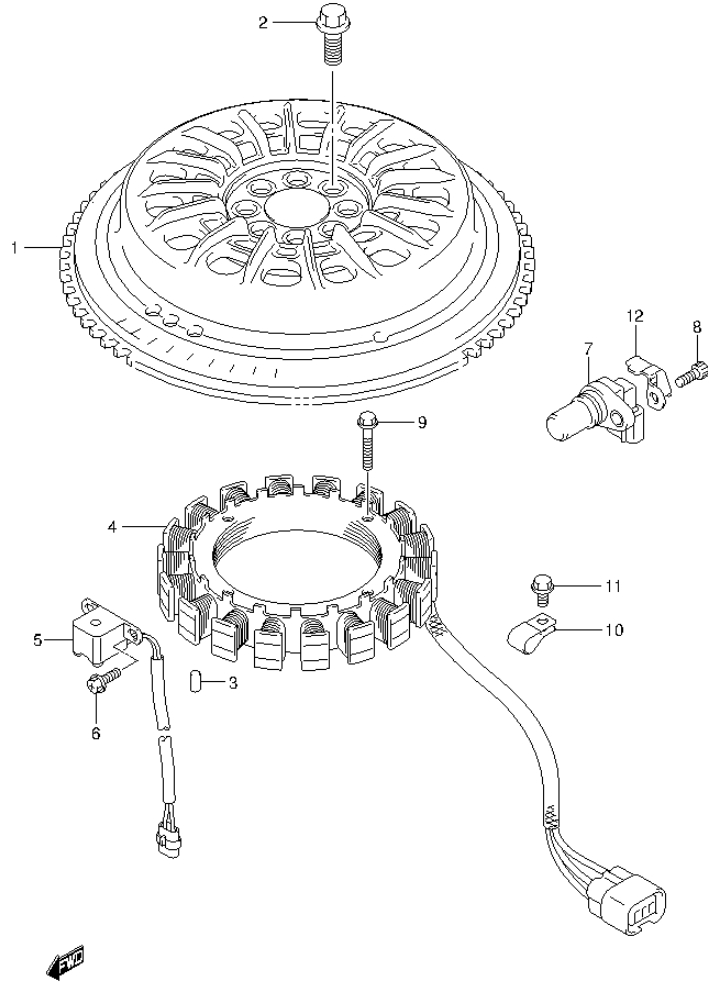


FIG.83 (1-J-13) MAGNETO (DF175T E1)

REF NO.	PART NO.	DESCRIPTION	Q'TY	REMARKS
1	32102-96J02	FLYWHEEL	1	
2	09103-12071	BOLT (12X26)	8	
3	09202-06031	PIN (6X12)	1	
4	32120-96J00	COIL, BATTERY CHARGING	1	
5	32160-88L10	COIL, IGNITION TIMING	1	
6	09106-05030	BOLT (5X10)	2	
7	33220-58J20	SENSOR, CAM POSITION	2	
8	07130-06167	BOLT	2	
9	09103-06231	BOLT (6X35)	4	
10	09403-13408	CLAMP	1	
11	01550-06127	BOLT	1	
12	11185-96J00	COVER, SENSOR	2	

FIG.84

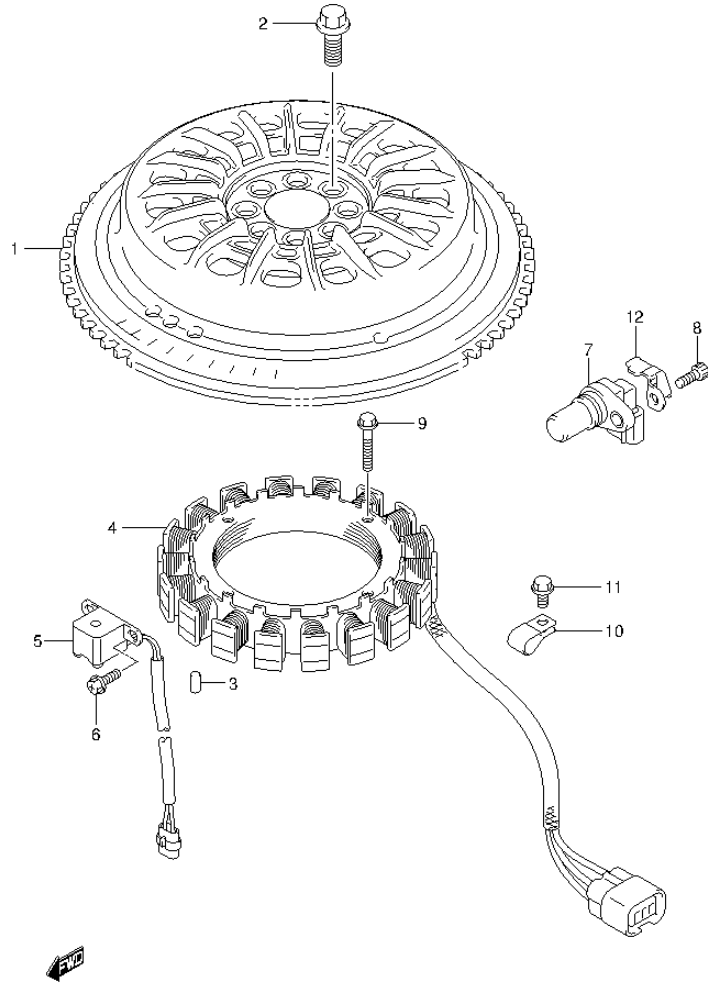


FIG.84 (1-J-14) MAGNETO (DF175T E40)

REF NO.	PART NO.	DESCRIPTION	Q'TY	REMARKS
1	32102-96J02	FLYWHEEL	1	
2	09103-12071	BOLT (12X26)	8	
3	09202-06031	PIN (6X12)	1	
4	32120-96J00	COIL, BATTERY CHARGING	1	
5	32160-88L10	COIL, IGNITION TIMING	1	
6	09106-05030	BOLT (5X10)	2	
7	33220-58J20	SENSOR, CAM POSITION	2	
8	07130-06167	BOLT	2	
9	09103-06231	BOLT (6X35)	4	
10	09403-13408	CLAMP	1	
11	01550-06127	BOLT	1	
12	11185-96J00	COVER, SENSOR	2	

FIG.85

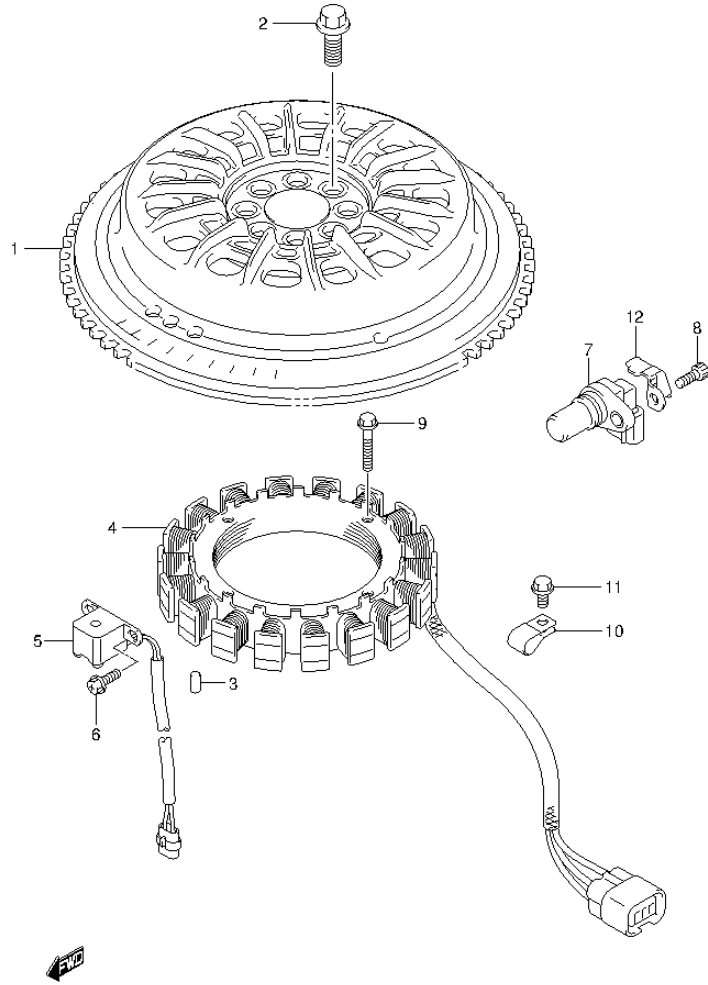


FIG.85 (1-J-15) MAGNETO (DF175Z E1)

REF NO.	PART NO.	DESCRIPTION	Q'TY	REMARKS
1	32102-96J02	FLYWHEEL	1	
2	09103-12071	BOLT (12X26)	8	
3	09202-06031	PIN (6X12)	1	
4	32120-96J00	COIL, BATTERY CHARGING	1	
5	32160-88L10	COIL, IGNITION TIMING	1	
6	09106-05030	BOLT (5X10)	2	
7	33220-58J20	SENSOR, CAM POSITION	2	
8	07130-06167	BOLT	2	
9	09103-06231	BOLT (6X35)	4	
10	09403-13408	CLAMP	1	
11	01550-06127	BOLT	1	
12	11185-96J00	COVER, SENSOR	2	

FIG.86

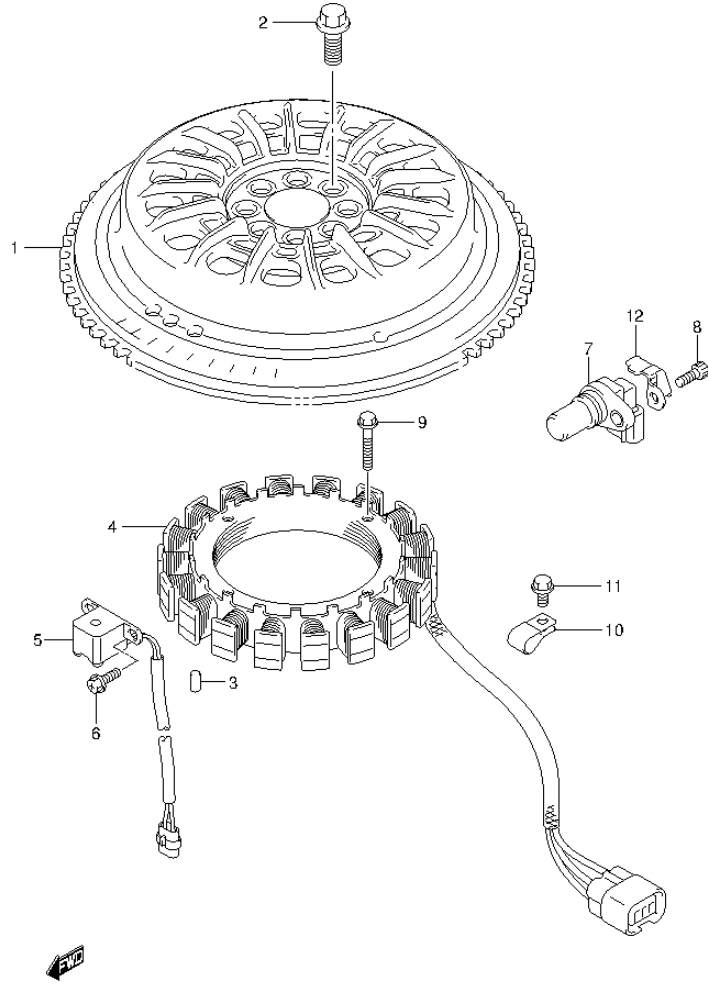


FIG.86 (1-K-2) MAGNETO (DF175Z E40)

REF NO.	PART NO.	DESCRIPTION	Q'TY	REMARKS
1	32102-96J02	FLYWHEEL	1	
2	09103-12071	BOLT (12X26)	8	
3	09202-06031	PIN (6X12)	1	
4	32120-96J00	COIL, BATTERY CHARGING	1	
5	32160-88L10	COIL, IGNITION TIMING	1	
6	09106-05030	BOLT (5X10)	2	
7	33220-58J20	SENSOR, CAM POSITION	2	
8	07130-06167	BOLT	2	
9	09103-06231	BOLT (6X35)	4	
10	09403-13408	CLAMP	1	
11	01550-06127	BOLT	1	
12	11185-96J00	COVER, SENSOR	2	

FIG.87

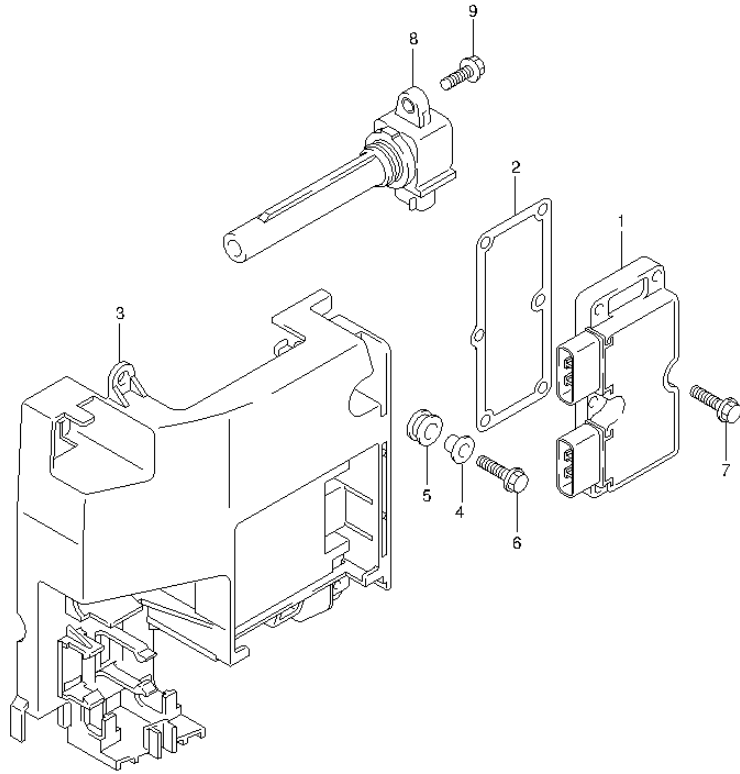


FIG.87 (1-K-3) RECTIFIER / IGNITION COIL

REF NO.	PART NO.	DESCRIPTION	Q'TY	REMARKS
1	32800-96J00	RECTIFIER & REGULATOR ASSY	1	
2	32805-96J00	GASKET, RECTIFIER & REGULATOR	1	
3	32890-96J00	HOLDER, ELECTRIC PARTS	1	
4	09169-06062	WASHER	2	
5	09320-09016	CUSHION	4	
6	01550-06257	BOLT	2	
7	01550-06257	BOLT	6	
8	33410-93J00	COIL ASSY, IGNITION	4	
9	01547-06207	BOLT	4	



FIG.88

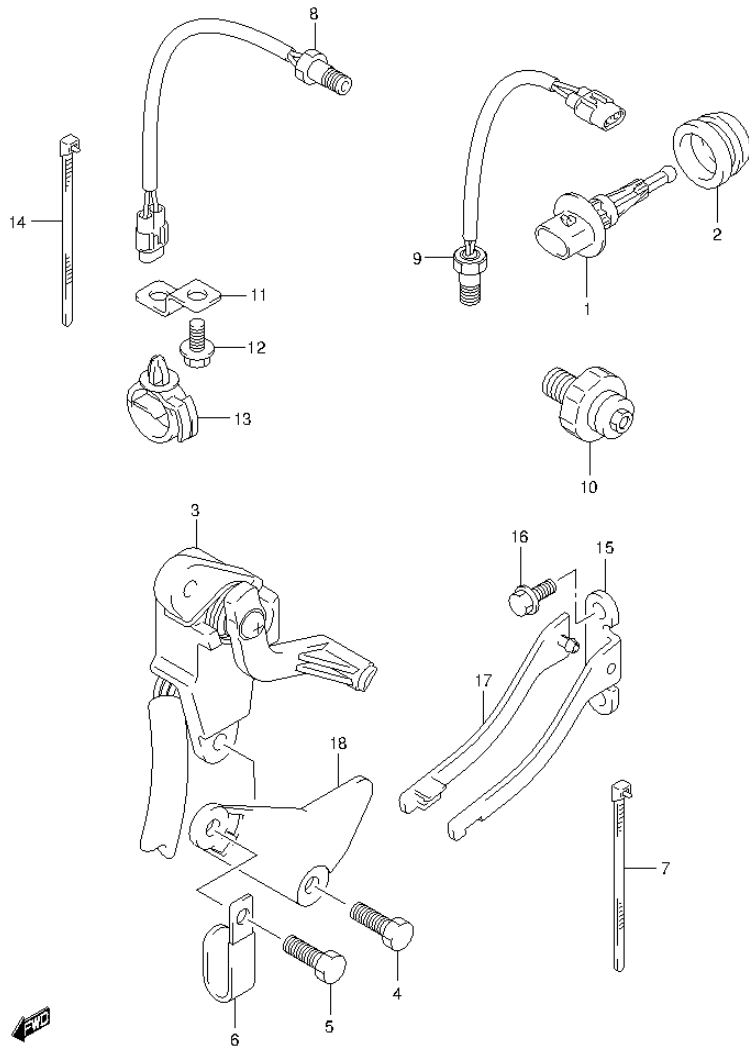


FIG.88 (1-K-4) SENSOR

REF NO.	PART NO.	DESCRIPTION	Q'TY	REMARKS
1	13650-52G00	SENSOR, INLET AIR TEMP	1	
2	13655-87J00	GROMMET, AIR TEMP SENSOR	1	
3	34801-99E04	SENDER ASSY, TRIM	1	
4	09103-06093	BOLT (6X20)	2	
5	09103-06093	BOLT (6X20)	1	
6	29404-93J10	CLAMP, TRIM SENDER LEAD	1	
7	09407-14403	CLAMP (L:125)	1	
8	34830-87J20	SENSOR ASSY, EXHAUST TEMP	1	
9	34830-87J20	SENSOR ASSY, CYLINDER TEMP	1	
10	37820-99E01	SWITCH ASSY, OIL PRESSURE	1	
11	36617-93J10	BRACKET, PTT CABLE CLIP	1	
12	29103-93J00	BOLT, PTT CABLE CLIP BRACKET (6X12)	1	
13	09403-20307	CLAMP	1	
14	09407-14407	CLAMP (L:145)	2	
15	43117-96J00	CAM, TRIM SENDER	1	
16	09116-05010	BOLT (5X12)	2	
17	43118-96J00	PLATE, TRIM SENDER CAM	1	
18	41118-96J00	PLATE, TRIM SENDER	1	

FIG.89

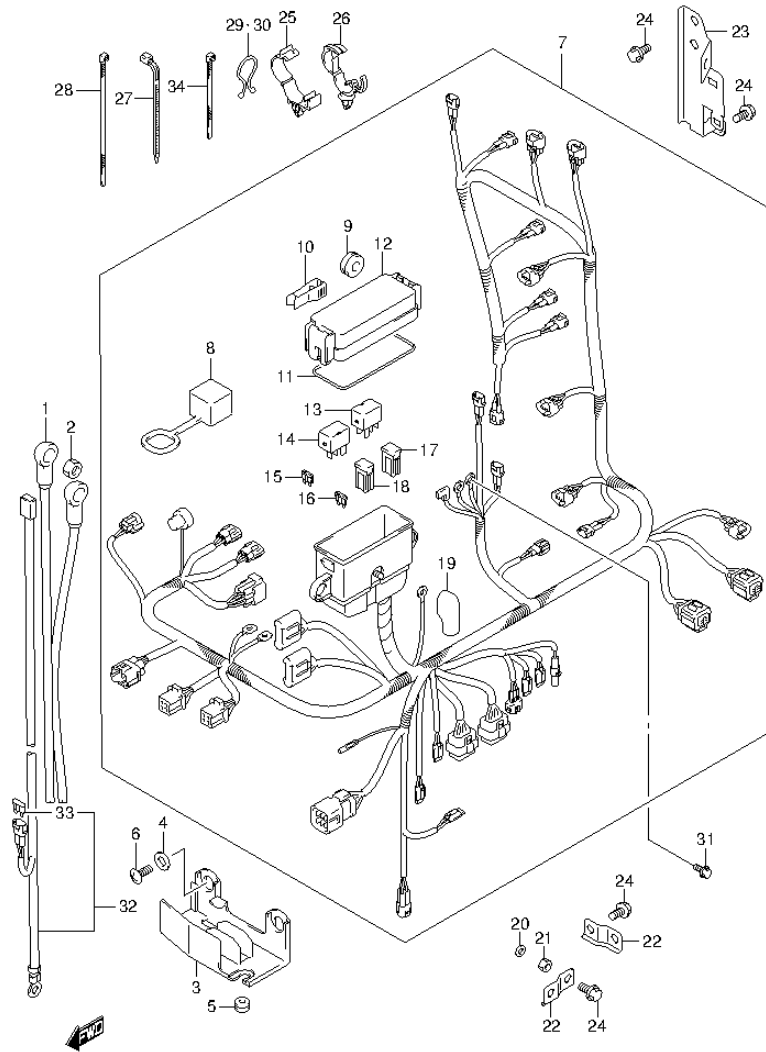


FIG.89 (1-K-5) HARNESS (DF150T E1)

REF NO.	PART NO.	DESCRIPTION	Q'TY	REMARKS
1	33810-96J00	CABLE ASSY, STARTER MOTOR	1	
2	08316-10087	NUT	1	
3	36616-96J00	HOLDER, CABLE	1	
4	09169-06053	WASHER	2	
5	09320-04009	BUSH	2	
6	02142-06167	SCREW	2	
7	36610-96J40	HARNESS ASSY, WIRING	1	
8	33634-96J00	.CAP, SERVICE CONNECTOR	1	
9	09320-08021	.CUSHION	2	
10	36737-96J00	.PULLER, FUSE	1	
11	36721-96J00	.O RING, UPPER COVER	1	
12	36738-96J00	.COVER, FUSE CASE UPPER	1	
13	38860-76F01	.RELAY, ENG CONTROL UNIT	1	
14	38860-76F01	.RELAY ASSY, STARTER MOTOR	1	
15	09481-10501	.FUSE (10A)	3	
16	09481-30501	.FUSE (30A)	3	
17	09481-30401	.FUSE (30A)	1	
18	09481-60401	.FUSE (60A)	2	
19	36612-96J00	.CAP, TERMINAL	1	
20	08310-00067	NUT	1	
21	08321-01067	WASHER	1	
22	36617-93J00	BRACKET, HARNESS	2	
23	36617-96J00	BRACKET, HARNESS	1	
24	01550-06127	BOLT	4	
25	09403-18409	CLAMP	1	
26	09403-20308	CLAMP	1	
27	09407-14403	CLAMP (L:125)	1	
28	09407-14407	CLAMP (L:145)	4	
29	09408-00008	CLIP (ID:20)	2	
30	09408-00024	CLIP (ID:23)	1	
31	01550-06127	BOLT	1	



FIG.89

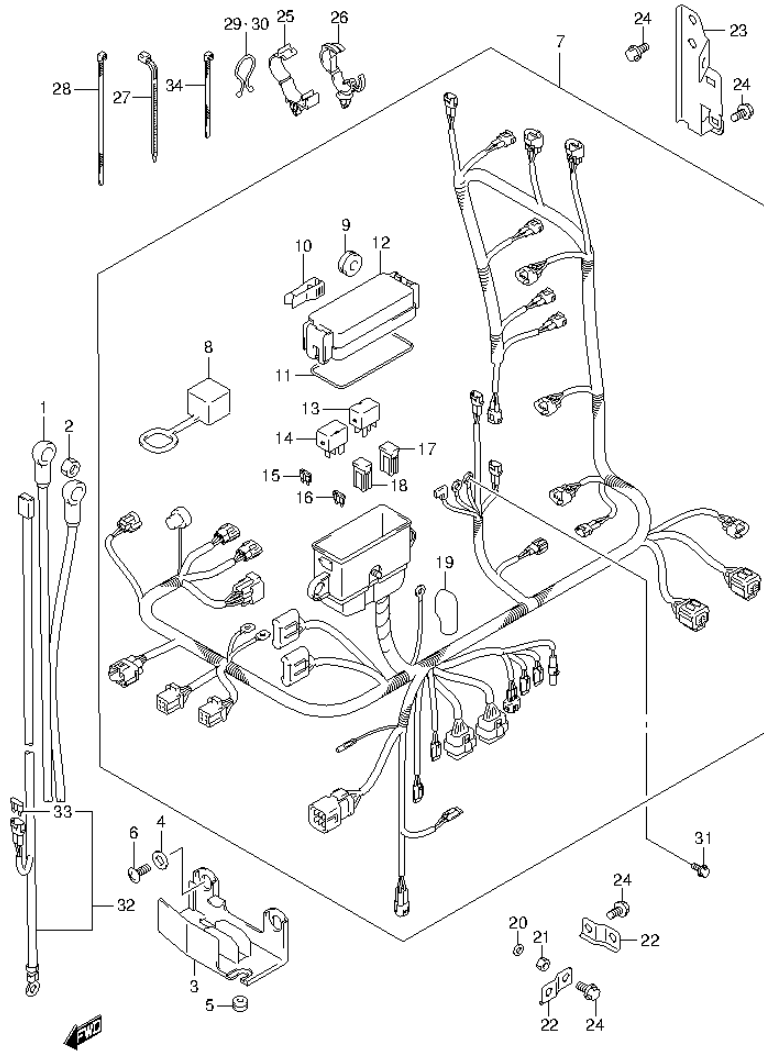


FIG.89 (1-K-6) HARNESS (DF150T E1)

REF NO.	PART NO.	DESCRIPTION	Q'TY	REMARKS
32-1	36625-93J00	LEAD, BATTERY	1	L:3700
32-2	36625-93J10	LEAD, BATTERY	1	OPT L:6500
33	09481-15501	.FUSE (15A)	1	
34	09407-10404	CLAMP (L:100)	2	

FIG.90

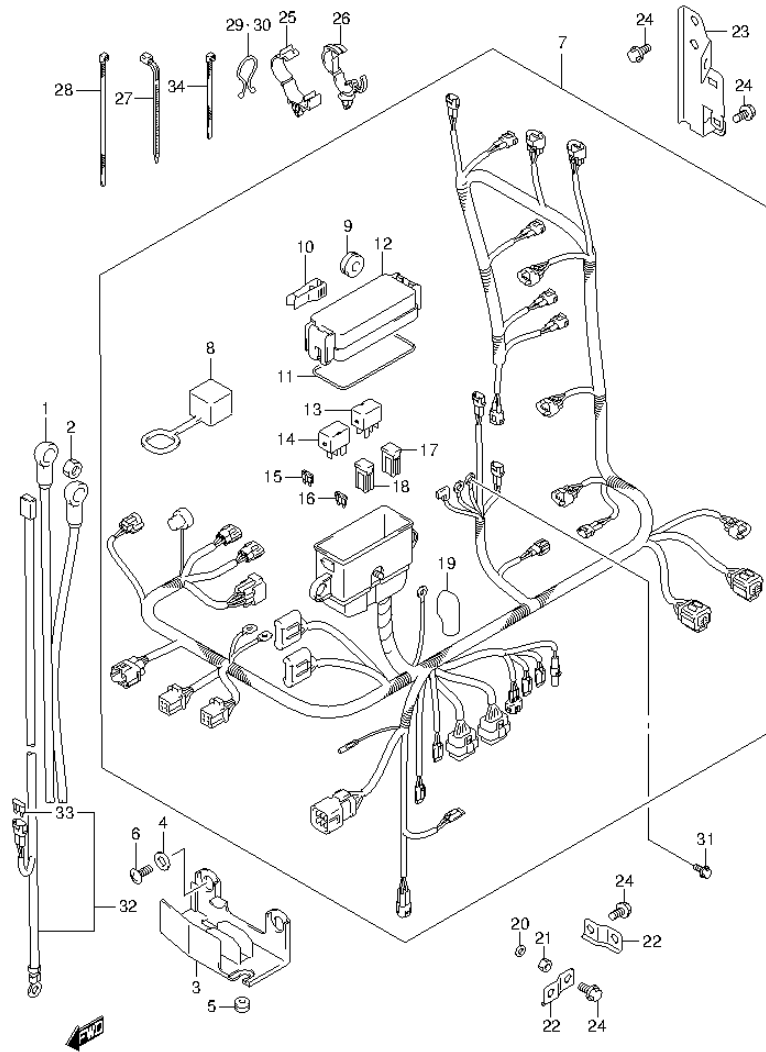


FIG.90 (1-K-7) HARNESS (DF150T E40)

REF NO.	PART NO.	DESCRIPTION	Q'TY	REMARKS
1	33810-96J00	CABLE ASSY, STARTER MOTOR	1	
2	08316-10087	NUT	1	
3	36616-96J00	HOLDER, CABLE	1	
4	09169-06053	WASHER	2	
5	09320-04009	BUSH	2	
6	02142-06167	SCREW	2	
7	36610-96J40	HARNESS ASSY, WIRING	1	
8	33634-96J00	.CAP, SERVICE CONNECTOR	1	
9	09320-08021	.CUSHION	2	
10	36737-96J00	.PULLER, FUSE	1	
11	36721-96J00	.O RING, UPPER COVER	1	
12	36738-96J00	.COVER, FUSE CASE UPPER	1	
13	38860-76F01	.RELAY, ENG CONTROL UNIT	1	
14	38860-76F01	.RELAY ASSY, STARTER MOTOR	1	
15	09481-10501	.FUSE (10A)	3	
16	09481-30501	.FUSE (30A)	3	
17	09481-30401	.FUSE (30A)	1	
18	09481-60401	.FUSE (60A)	2	
19	36612-96J00	.CAP, TERMINAL	1	
20	08310-00067	NUT	1	
21	08321-01067	WASHER	1	
22	36617-93J00	BRACKET, HARNESS	2	
23	36617-96J00	BRACKET, HARNESS	1	
24	01550-06127	BOLT	4	
25	09403-18409	CLAMP	1	
26	09403-20308	CLAMP	1	
27	09407-14403	CLAMP (L:125)	1	
28	09407-14407	CLAMP (L:145)	4	
29	09408-00008	CLIP (ID:20)	2	
30	09408-00024	CLIP (ID:23)	1	
31	01550-06127	BOLT	1	

FIG.90

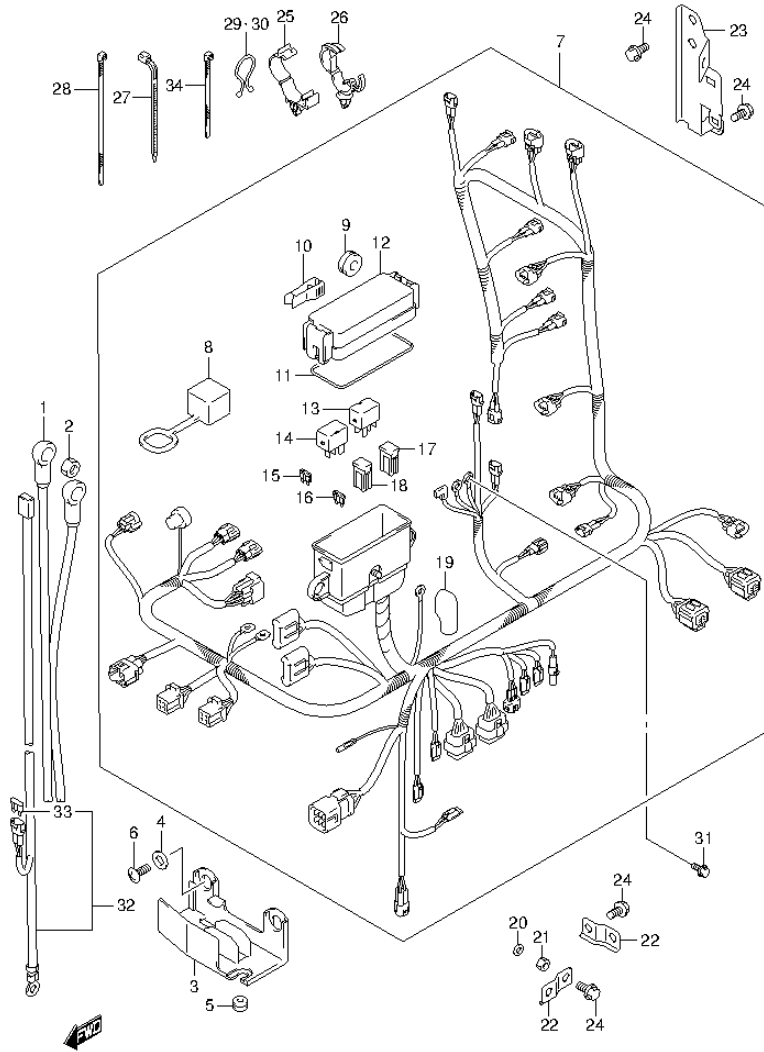


FIG.90 (1-K-8) HARNESS (DF150T E40)

REF NO.	PART NO.	DESCRIPTION	Q'TY	REMARKS
32-1	36625-93J00	LEAD, BATTERY	1	L:3700
32-2	36625-93J10	LEAD, BATTERY	1	OPT L:6500
33	09481-15501	.FUSE (15A)	1	
34	09407-10404	CLAMP (L:100)	2	

FIG.91

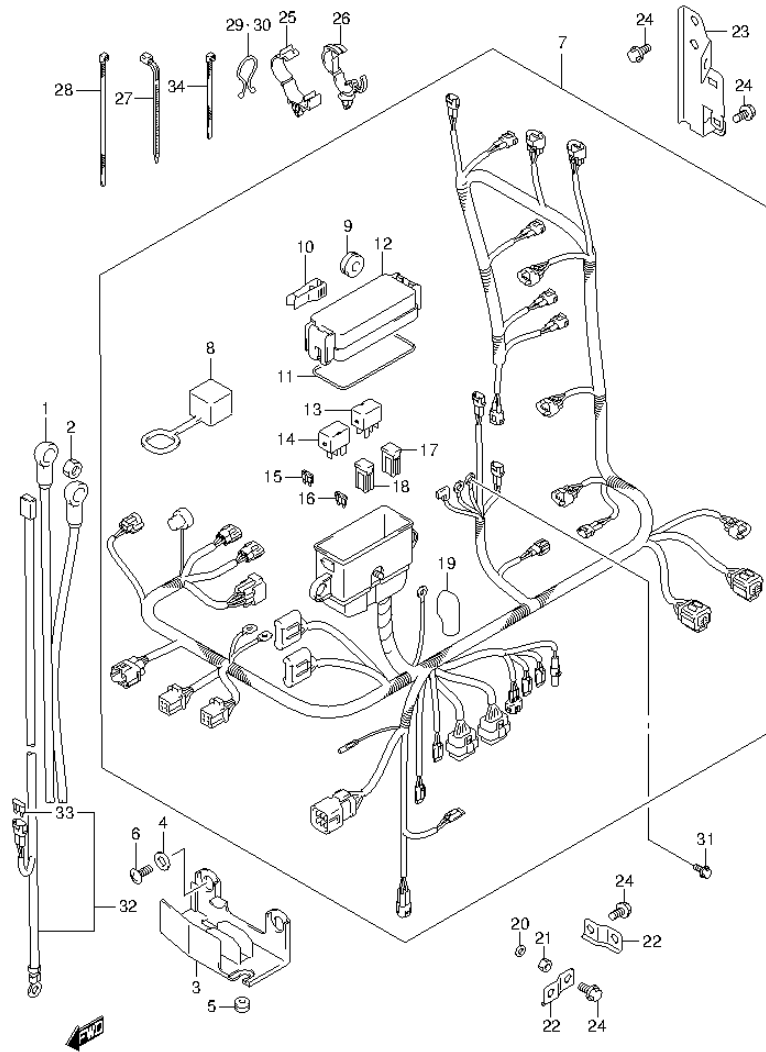
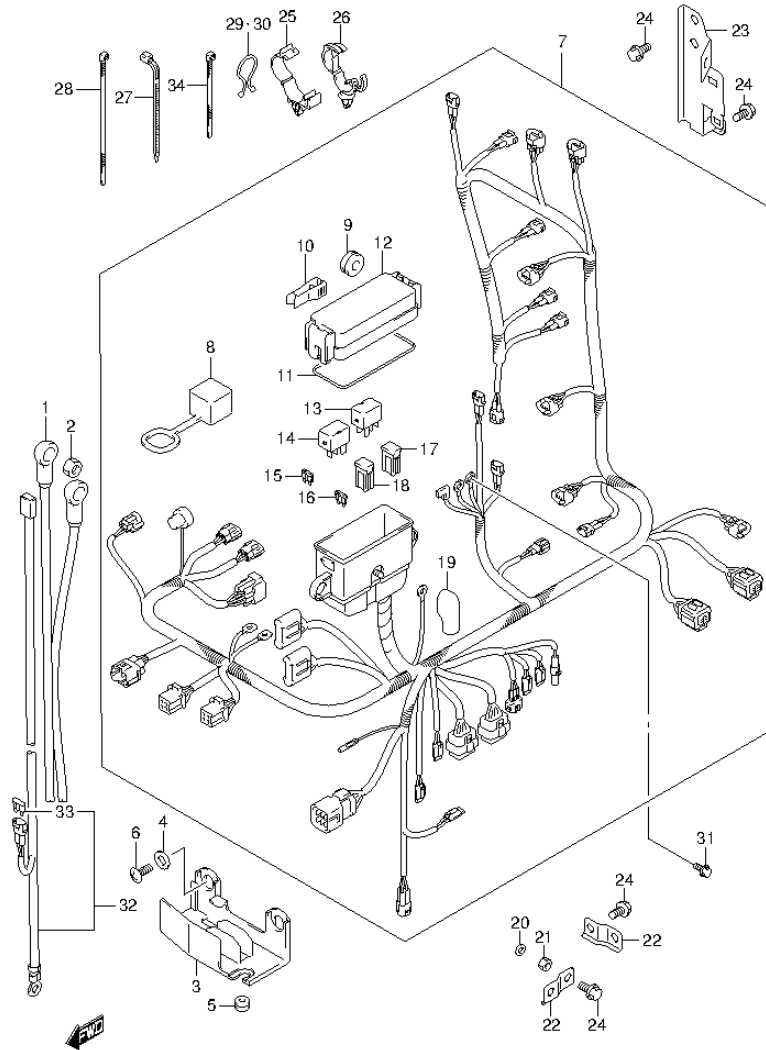


FIG.91 (1-K-9) HARNESS (DF150Z E1)

REF NO.	PART NO.	DESCRIPTION	Q'TY	REMARKS
1	33810-96J00	CABLE ASSY, STARTER MOTOR	1	
2	08316-10087	NUT	1	
3	36616-96J00	HOLDER, CABLE	1	
4	09169-06053	WASHER	2	
5	09320-04009	BUSH	2	
6	02142-06167	SCREW	2	
7	36610-96J40	HARNESS ASSY, WIRING	1	
8	33634-96J00	.CAP, SERVICE CONNECTOR	1	
9	09320-08021	.CUSHION	2	
10	36737-96J00	.PULLER, FUSE	1	
11	36721-96J00	.O RING, UPPER COVER	1	
12	36738-96J00	.COVER, FUSE CASE UPPER	1	
13	38860-76F01	.RELAY, ENG CONTROL UNIT	1	
14	38860-76F01	.RELAY ASSY, STARTER MOTOR	1	
15	09481-10501	.FUSE (10A)	3	
16	09481-30501	.FUSE (30A)	3	
17	09481-30401	.FUSE (30A)	1	
18	09481-60401	.FUSE (60A)	2	
19	36612-96J00	.CAP, TERMINAL	1	
20	08310-00067	NUT	1	
21	08321-01067	WASHER	1	
22	36617-93J00	BRACKET, HARNESS	2	
23	36617-96J00	BRACKET, HARNESS	1	
24	01550-06127	BOLT	4	
25	09403-18409	CLAMP	1	
26	09403-20308	CLAMP	1	
27	09407-14403	CLAMP (L:125)	1	
28	09407-14407	CLAMP (L:145)	4	
29	09408-00008	CLIP (ID:20)	2	
30	09408-00024	CLIP (ID:23)	1	
31	01550-06127	BOLT	1	

**FIG.91**



**FIG.91 (1-K-10) HARNESS (DF150Z E1)**

REF NO.	PART NO.	DESCRIPTION	Q'TY	REMARKS
32-1	36625-93J00	LEAD, BATTERY	1	L:3700
32-2	36625-93J10	LEAD, BATTERY	1	OPT L:6500
33	09481-15501	.FUSE (15A)	1	
34	09407-10404	CLAMP (L:100)	2	

FIG.92

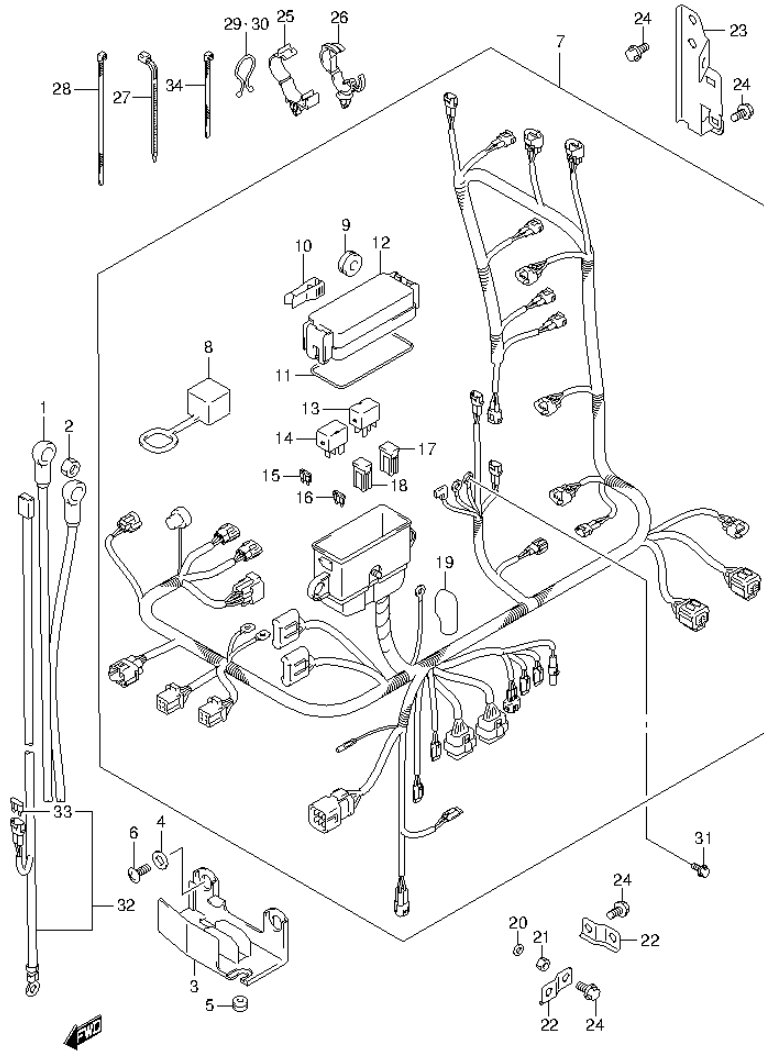


FIG.92 (1-K-11) HARNESS (DF150Z E40)

REF NO.	PART NO.	DESCRIPTION	Q'TY	REMARKS
1	33810-96J00	CABLE ASSY, STARTER MOTOR	1	
2	08316-10087	NUT	1	
3	36616-96J00	HOLDER, CABLE	1	
4	09169-06053	WASHER	2	
5	09320-04009	BUSH	2	
6	02142-06167	SCREW	2	
7	36610-96J40	HARNESS ASSY, WIRING	1	
8	33634-96J00	.CAP, SERVICE CONNECTOR	1	
9	09320-08021	.CUSHION	2	
10	36737-96J00	.PULLER, FUSE	1	
11	36721-96J00	.O RING, UPPER COVER	1	
12	36738-96J00	.COVER, FUSE CASE UPPER	1	
13	38860-76F01	.RELAY, ENG CONTROL UNIT	1	
14	38860-76F01	.RELAY ASSY, STARTER MOTOR	1	
15	09481-10501	.FUSE (10A)	3	
16	09481-30501	.FUSE (30A)	3	
17	09481-30401	.FUSE (30A)	1	
18	09481-60401	.FUSE (60A)	2	
19	36612-96J00	.CAP, TERMINAL	1	
20	08310-00067	NUT	1	
21	08321-01067	WASHER	1	
22	36617-93J00	BRACKET, HARNESS	2	
23	36617-96J00	BRACKET, HARNESS	1	
24	01550-06127	BOLT	4	
25	09403-18409	CLAMP	1	
26	09403-20308	CLAMP	1	
27	09407-14403	CLAMP (L:125)	1	
28	09407-14407	CLAMP (L:145)	4	
29	09408-00008	CLIP (ID:20)	2	
30	09408-00024	CLIP (ID:23)	1	
31	01550-06127	BOLT	1	

FIG.92

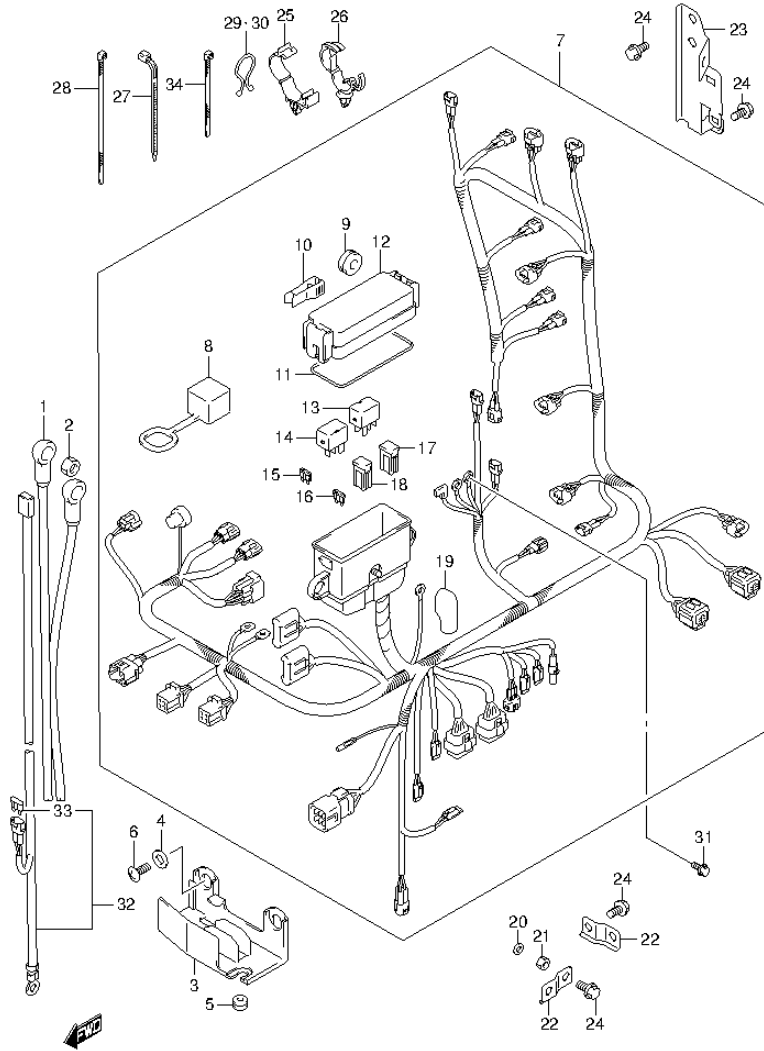


FIG.92 (1-K-12) HARNESS (DF150Z E40)

REF NO.	PART NO.	DESCRIPTION	Q'TY	REMARKS
32-1	36625-93J00	LEAD, BATTERY	1	L:3700
32-2	36625-93J10	LEAD, BATTERY	1	OPT L:6500
33	09481-15501	.FUSE (15A)	1	
34	09407-10404	CLAMP (L:100)	2	

FIG.93

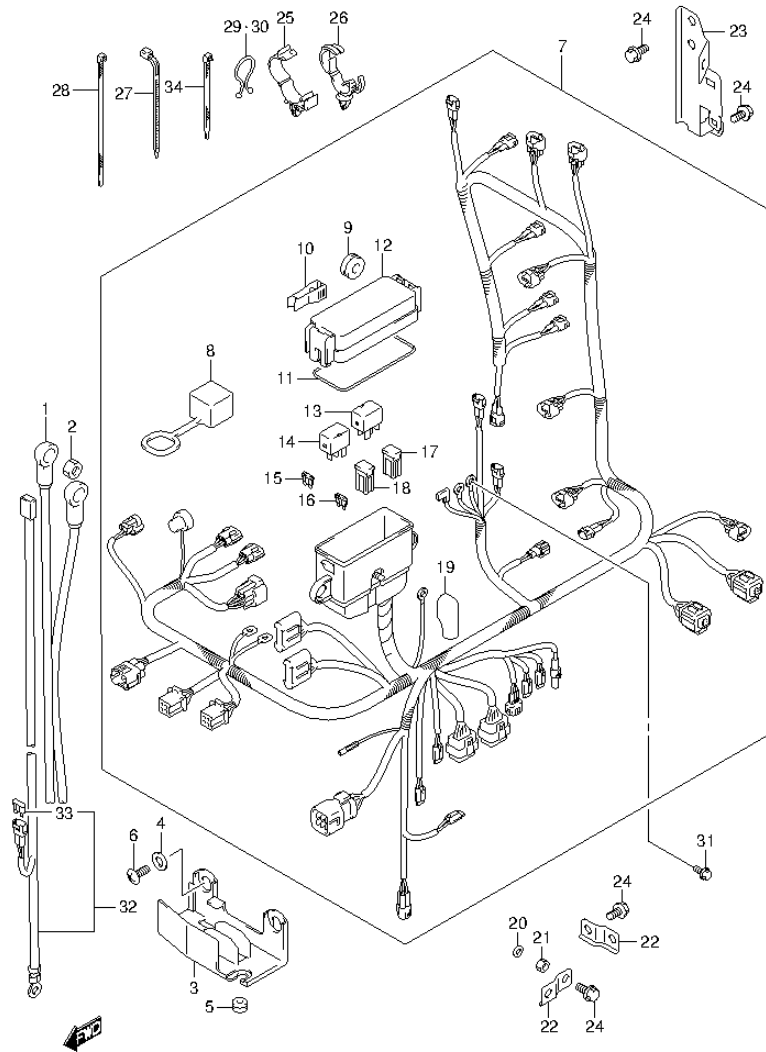


FIG.93 (1-K-13) HARNESS (DF175T E1)

REF NO.	PART NO.	DESCRIPTION	Q'TY	REMARKS
1	33810-96J00	CABLE ASSY, STARTER MOTOR	1	
2	08316-10087	NUT	1	
3	36616-96J00	HOLDER, CABLE	1	
4	09169-06053	WASHER	2	
5	09320-04009	BUSH	2	
6	02142-06167	SCREW	2	
7	36610-96J50	HARNESS ASSY, WIRING	1	
8	33634-96J00	.CAP, SERVICE CONNECTOR	1	
9	09320-08021	.CUSHION	2	
10	36737-96J00	.PULLER, FUSE	1	
11	36721-96J00	.O RING, UPPER COVER	1	
12	36738-96J00	.COVER, FUSE CASE UPPER	1	
13	38860-76F01	.RELAY, ENG CONTROL UNIT	1	
14	38860-76F01	.RELAY ASSY, STARTER MOTOR	1	
15	09481-10501	.FUSE (10A)	3	
16	09481-30501	.FUSE (30A)	3	
17	09481-30401	.FUSE (30A)	1	
18	09481-60401	.FUSE (60A)	2	
19	36612-96J00	.CAP, TERMINAL	1	
20	08310-00067	NUT	1	
21	08321-01067	WASHER	1	
22	36617-93J00	BRACKET, HARNESS	2	
23	36617-96J00	BRACKET, HARNESS	1	
24	01550-06127	BOLT	4	
25	09403-18409	CLAMP	1	
26	09403-20308	CLAMP	1	
27	09407-14403	CLAMP (L:125)	1	
28	09407-14407	CLAMP (L:145)	4	
29	09408-00008	CLIP (ID:20)	2	
30	09408-00024	CLIP (ID:23)	1	
31	01550-06127	BOLT	1	



FIG.93

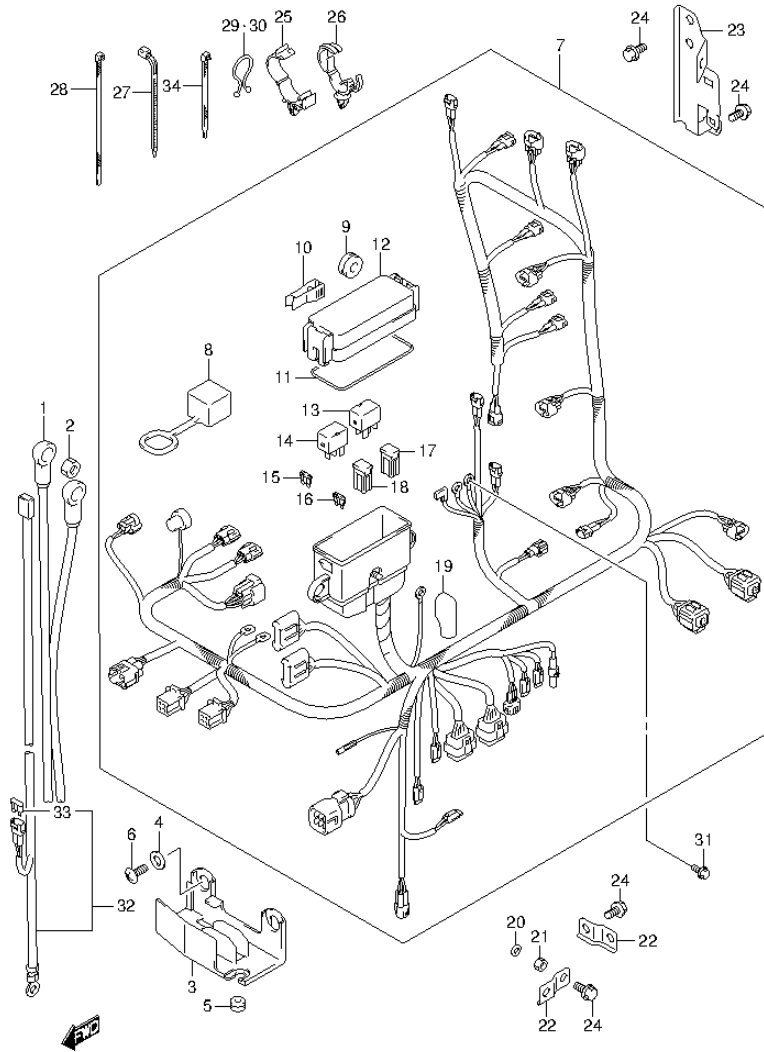


FIG.93 (1-K-14) HARNESS (DF175T E1)

REF NO.	PART NO.	DESCRIPTION	Q'TY	REMARKS
32-1	36625-93J00	LEAD, BATTERY	1	L:3700
32-2	36625-93J10	LEAD, BATTERY	1	OPT L:6500
33	09481-15501	.FUSE (15A)	1	
34	09407-10404	CLAMP (L:100)	2	

FIG.94

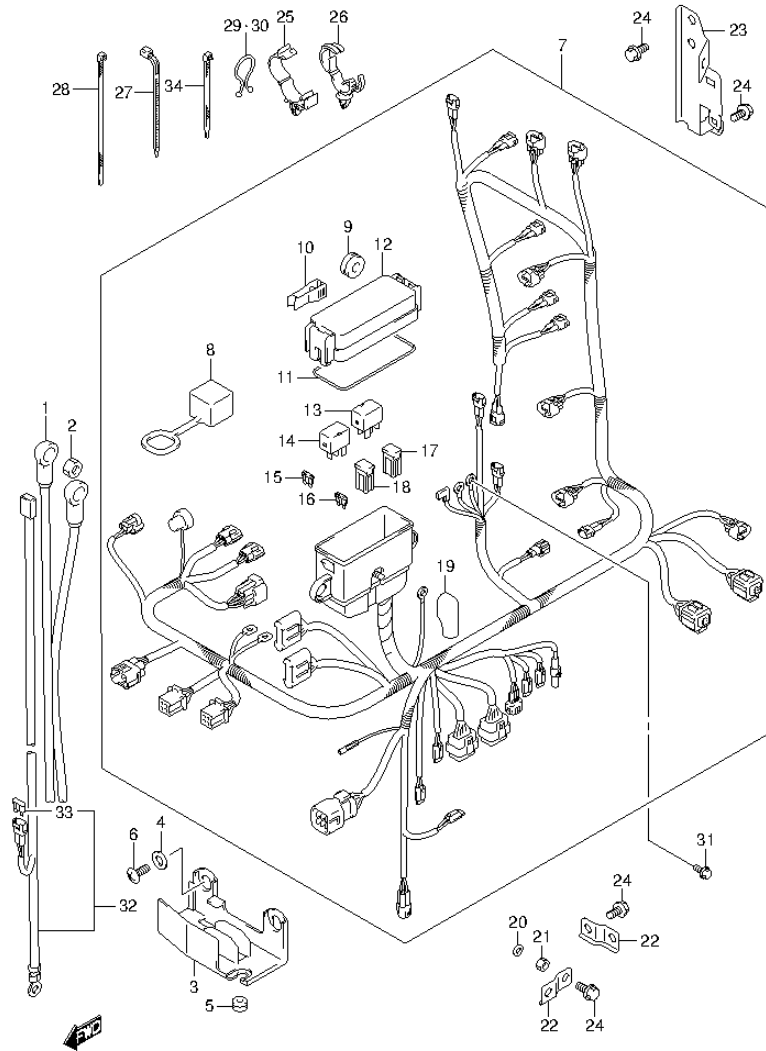


FIG.94 (1-K-15) HARNESS (DF175T E40)

REF NO.	PART NO.	DESCRIPTION	Q'TY	REMARKS
1	33810-96J00	CABLE ASSY, STARTER MOTOR	1	
2	08316-10087	NUT	1	
3	36616-96J00	HOLDER, CABLE	1	
4	09169-06053	WASHER	2	
5	09320-04009	BUSH	2	
6	02142-06167	SCREW	2	
7	36610-96J50	HARNESS ASSY, WIRING	1	
8	33634-96J00	.CAP, SERVICE CONNECTOR	1	
9	09320-08021	.CUSHION	2	
10	36737-96J00	.PULLER, FUSE	1	
11	36721-96J00	.O RING, UPPER COVER	1	
12	36738-96J00	.COVER, FUSE CASE UPPER	1	
13	38860-76F01	.RELAY, ENG CONTROL UNIT	1	
14	38860-76F01	.RELAY ASSY, STARTER MOTOR	1	
15	09481-10501	.FUSE (10A)	3	
16	09481-30501	.FUSE (30A)	3	
17	09481-30401	.FUSE (30A)	1	
18	09481-60401	.FUSE (60A)	2	
19	36612-96J00	.CAP, TERMINAL	1	
20	08310-00067	NUT	1	
21	08321-01067	WASHER	1	
22	36617-93J00	BRACKET, HARNESS	2	
23	36617-96J00	BRACKET, HARNESS	1	
24	01550-06127	BOLT	4	
25	09403-18409	CLAMP	1	
26	09403-20308	CLAMP	1	
27	09407-14403	CLAMP (L:125)	1	
28	09407-14407	CLAMP (L:145)	4	
29	09408-00008	CLIP (ID:20)	2	
30	09408-00024	CLIP (ID:23)	1	
31	01550-06127	BOLT	1	

FIG.94

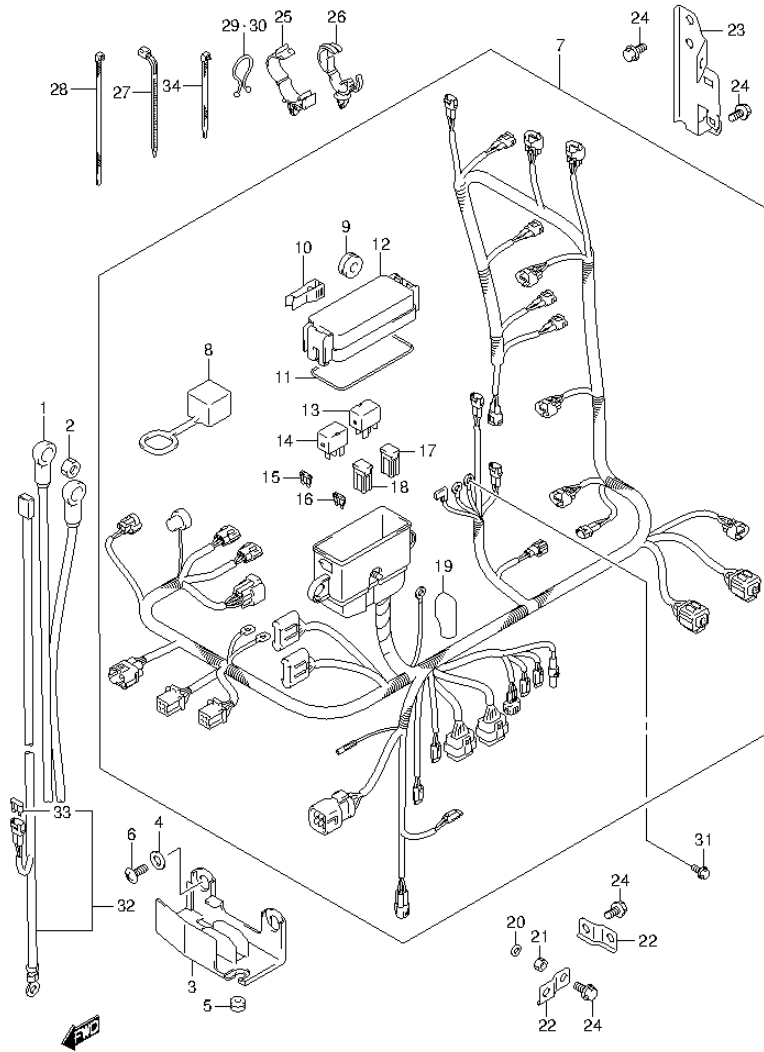


FIG.94 (1-L-2) HARNESS (DF175T E40)

REF NO.	PART NO.	DESCRIPTION	Q'TY	REMARKS
32-1	36625-93J00	LEAD, BATTERY	1	L:3700
32-2	36625-93J10	LEAD, BATTERY	1	OPT L:6500
33	09481-15501	.FUSE (15A)	1	
34	09407-10404	CLAMP (L:100)	2	

FIG.95

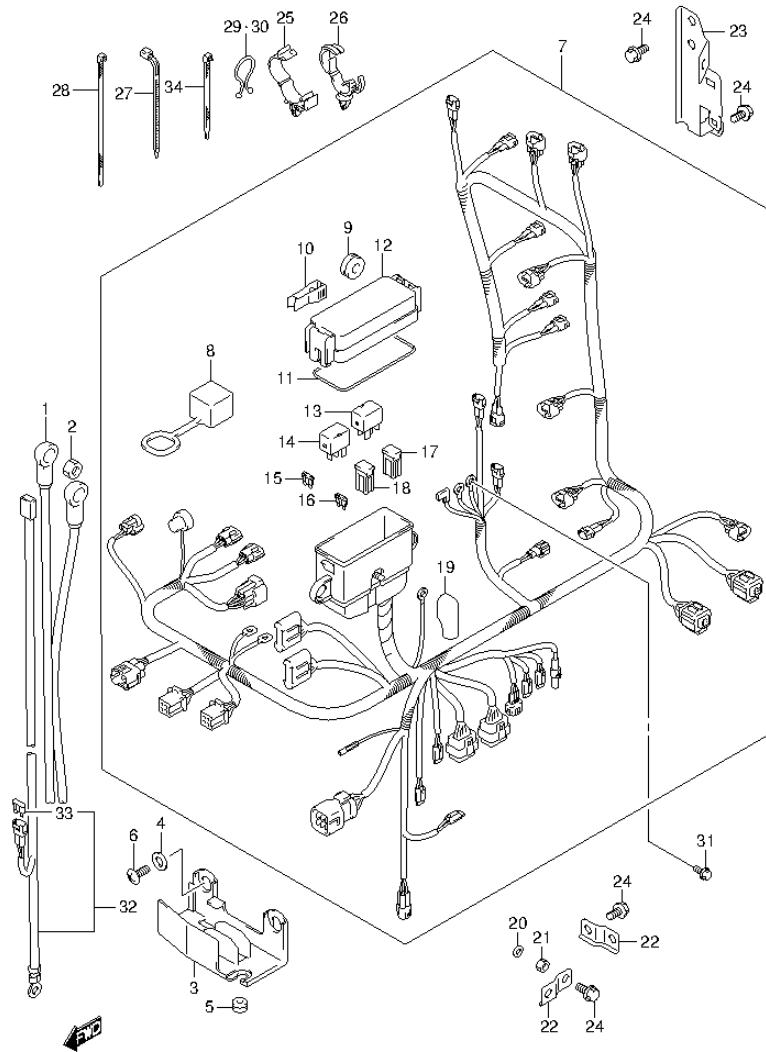


FIG.95 (1-L-3) HARNESS (DF175Z E1)

REF NO.	PART NO.	DESCRIPTION	Q'TY	REMARKS
1	33810-96J00	CABLE ASSY, STARTER MOTOR	1	
2	08316-10087	NUT	1	
3	36616-96J00	HOLDER, CABLE	1	
4	09169-06053	WASHER	2	
5	09320-04009	BUSH	2	
6	02142-06167	SCREW	2	
7	36610-96J50	HARNESS ASSY, WIRING	1	
8	33634-96J00	.CAP, SERVICE CONNECTOR	1	
9	09320-08021	.CUSHION	2	
10	36737-96J00	.PULLER, FUSE	1	
11	36721-96J00	.O RING, UPPER COVER	1	
12	36738-96J00	.COVER, FUSE CASE UPPER	1	
13	38860-76F01	.RELAY, ENG CONTROL UNIT	1	
14	38860-76F01	.RELAY ASSY, STARTER MOTOR	1	
15	09481-10501	.FUSE (10A)	3	
16	09481-30501	.FUSE (30A)	3	
17	09481-30401	.FUSE (30A)	1	
18	09481-60401	.FUSE (60A)	2	
19	36612-96J00	.CAP, TERMINAL	1	
20	08310-00067	NUT	1	
21	08321-01067	WASHER	1	
22	36617-93J00	BRACKET, HARNESS	2	
23	36617-96J00	BRACKET, HARNESS	1	
24	01550-06127	BOLT	4	
25	09403-18409	CLAMP	1	
26	09403-20308	CLAMP	1	
27	09407-14403	CLAMP (L:125)	1	
28	09407-14407	CLAMP (L:145)	4	
29	09408-00008	CLIP (ID:20)	2	
30	09408-00024	CLIP (ID:23)	1	
31	01550-06127	BOLT	1	

FIG.95

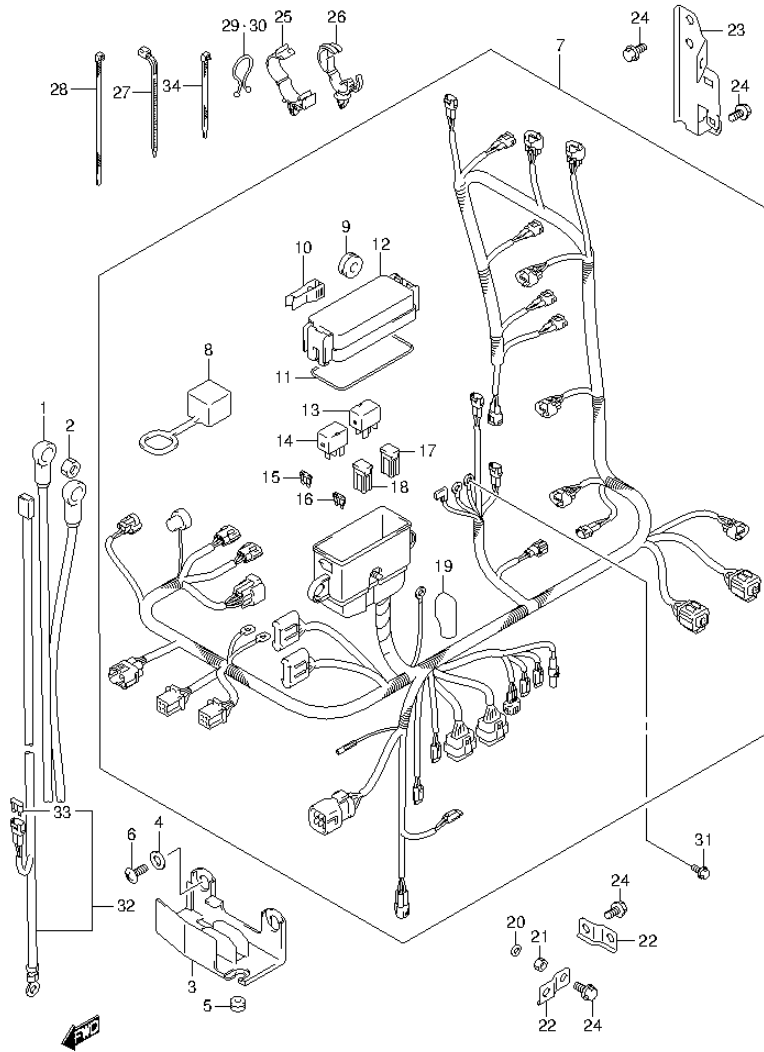


FIG.95 (1-L-4) HARNESS (DF175Z E1)

REF NO.	PART NO.	DESCRIPTION	Q'TY	REMARKS
32-1	36625-93J00	LEAD, BATTERY	1	L:3700
32-2	36625-93J10	LEAD, BATTERY	1	OPT L:6500
33	09481-15501	.FUSE (15A)	1	
34	09407-10404	CLAMP (L:100)	2	

FIG.96

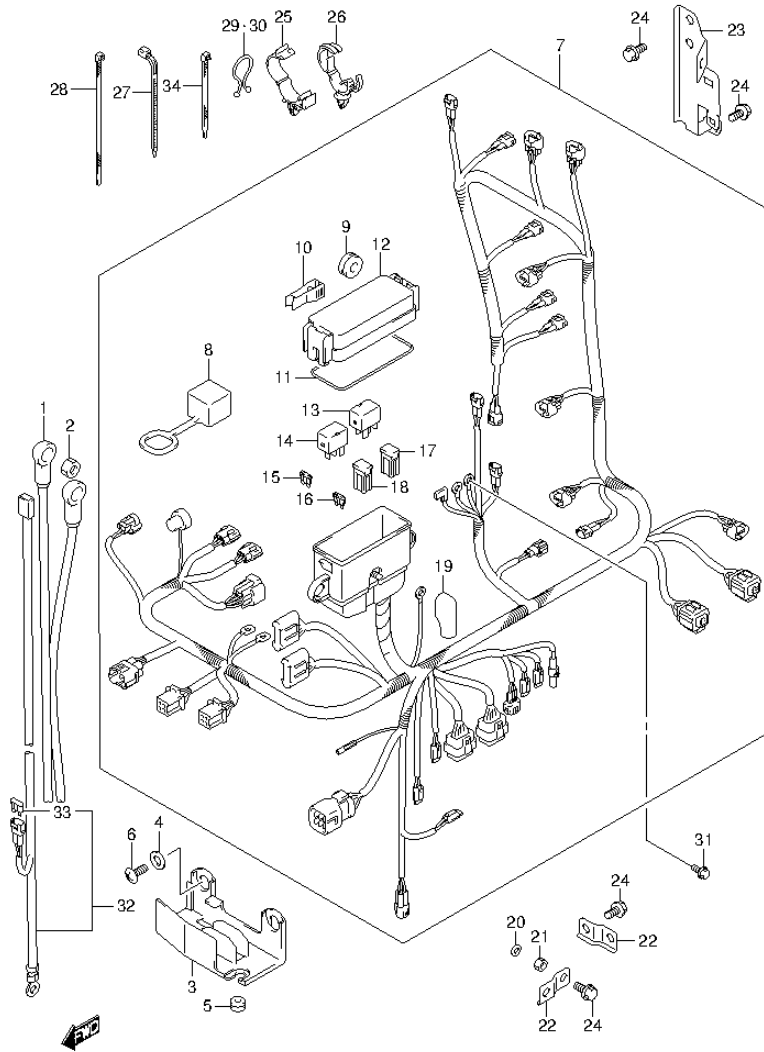


FIG.96 (1-L-5) HARNESS (DF175Z E40)

REF NO.	PART NO.	DESCRIPTION	Q'TY	REMARKS
1	33810-96J00	CABLE ASSY, STARTER MOTOR	1	
2	08316-10087	NUT	1	
3	36616-96J00	HOLDER, CABLE	1	
4	09169-06053	WASHER	2	
5	09320-04009	BUSH	2	
6	02142-06167	SCREW	2	
7	36610-96J50	HARNESS ASSY, WIRING	1	
8	33634-96J00	.CAP, SERVICE CONNECTOR	1	
9	09320-08021	.CUSHION	2	
10	36737-96J00	.PULLER, FUSE	1	
11	36721-96J00	.O RING, UPPER COVER	1	
12	36738-96J00	.COVER, FUSE CASE UPPER	1	
13	38860-76F01	.RELAY, ENG CONTROL UNIT	1	
14	38860-76F01	.RELAY ASSY, STARTER MOTOR	1	
15	09481-10501	.FUSE (10A)	3	
16	09481-30501	.FUSE (30A)	3	
17	09481-30401	.FUSE (30A)	1	
18	09481-60401	.FUSE (60A)	2	
19	36612-96J00	.CAP, TERMINAL	1	
20	08310-00067	NUT	1	
21	08321-01067	WASHER	1	
22	36617-93J00	BRACKET, HARNESS	2	
23	36617-96J00	BRACKET, HARNESS	1	
24	01550-06127	BOLT	4	
25	09403-18409	CLAMP	1	
26	09403-20308	CLAMP	1	
27	09407-14403	CLAMP (L:125)	1	
28	09407-14407	CLAMP (L:145)	4	
29	09408-00008	CLIP (ID:20)	2	
30	09408-00024	CLIP (ID:23)	1	
31	01550-06127	BOLT	1	

FIG.96

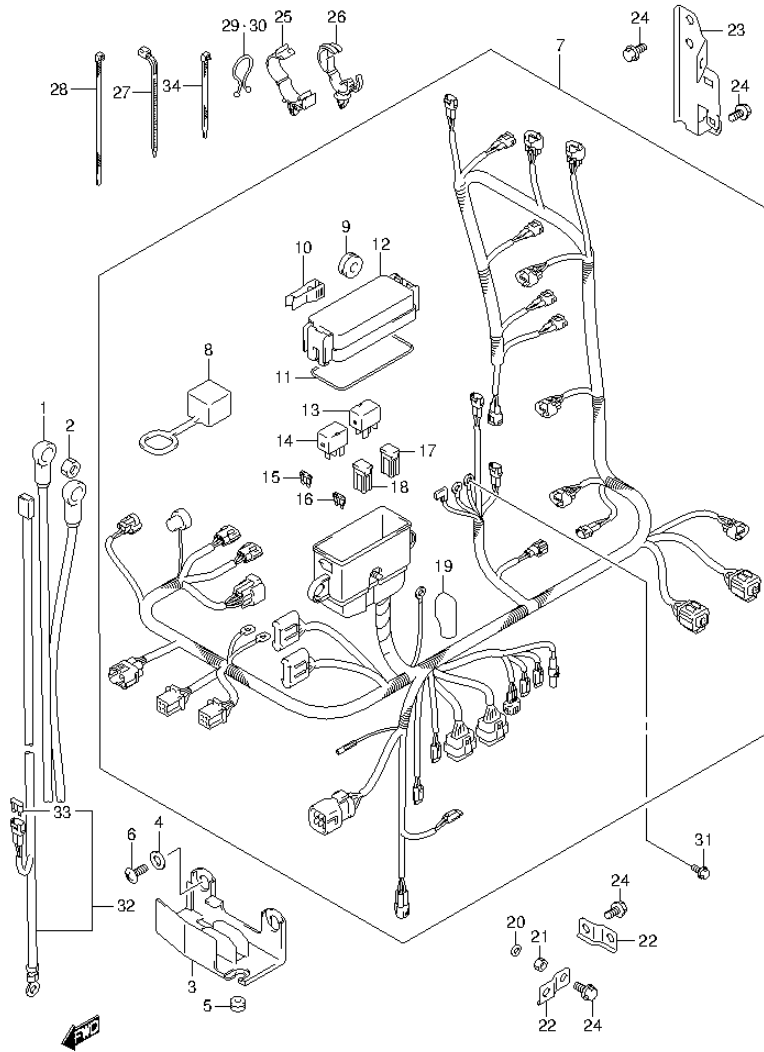


FIG.96 (1-L-6) HARNESS (DF175Z E40)

REF NO.	PART NO.	DESCRIPTION	Q'TY	REMARKS
32-1	36625-93J00	LEAD, BATTERY	1	L:3700
32-2	36625-93J10	LEAD, BATTERY	1	OPT L:6500
33	09481-15501	.FUSE (15A)	1	
34	09407-10404	CLAMP (L:100)	2	

FIG.97

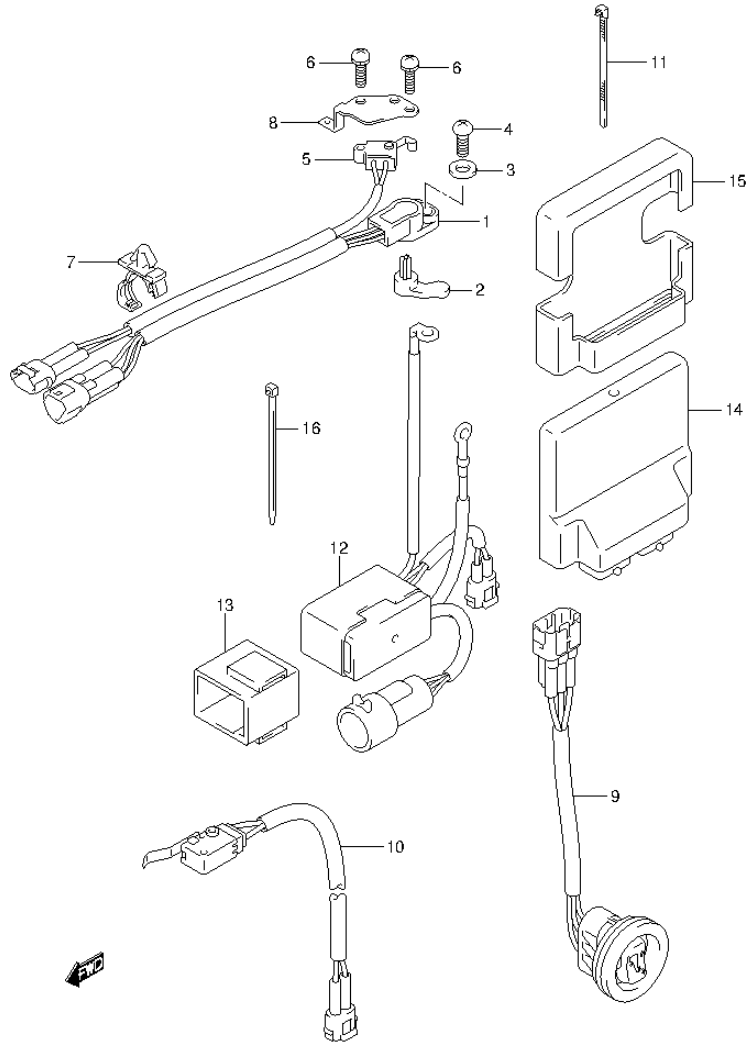


FIG.97 (1-L-7) PTT SWITCH / ENGINE CONTROL UNIT (DF150T E1)

REF NO.	PART NO.	DESCRIPTION	Q'TY	REMARKS
1	13580-93J02	SENSOR ASSY, SHIFT POSITION	1	
2	37729-93J00	LEVER, SHIFT SENSOR	1	
3	09160-05029	WASHER (5.5X12X0.8)	1	
4	02112-35167	SCREW	1	
5	37721-93J00	SWITCH ASSY, NEUTRAL	1	
6	09137-04004	SCREW (4X16)	2	
7	09403-12412	CLAMP	2	
8	37725-96J00	BRACKET, SWITCH ASSY	1	
9	37850-99E04	SWITCH ASSY, PTT	1	
10	37722-93J11	SWITCH ASSY, TILT LIMIT	1	
11	09407-14407	CLAMP (L:145)	1	
12	38410-93J12	RELAY ASSY, PTT	1	
13	38415-93J00	HOLDER, PTT RELAY	1	
14	33920-96JC0	UNIT, ENGINE CONTROL	1	
15	33925-93J00	CUSHION, ENGINE CONTROL UNIT	1	
16	09407-14407	CLAMP (L:145)	2	



FIG.98

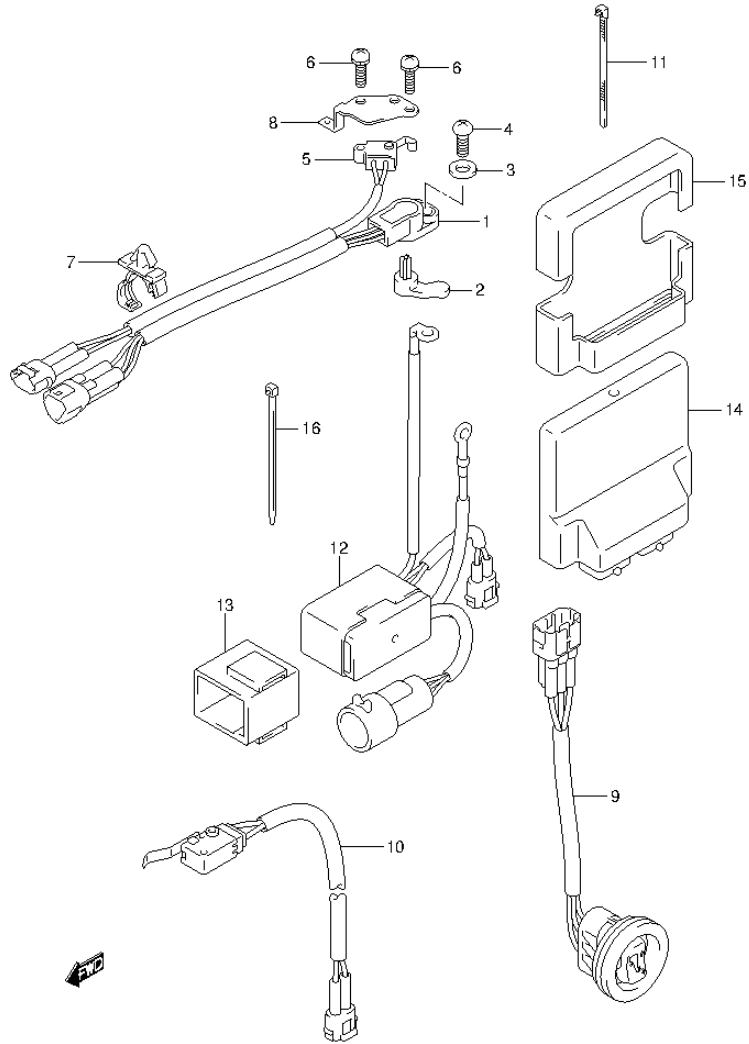


FIG.98 (1-L-8) PTT SWITCH / ENGINE CONTROL UNIT (DF150T E40)

REF NO.	PART NO.	DESCRIPTION	Q'TY	REMARKS
1	13580-93J02	SENSOR ASSY, SHIFT POSITION	1	
2	37729-93J00	LEVER, SHIFT SENSOR	1	
3	09160-05029	WASHER (5.5X12X0.8)	1	
4	02112-35167	SCREW	1	
5	37721-93J00	SWITCH ASSY, NEUTRAL	1	
6	09137-04004	SCREW (4X16)	2	
7	09403-12412	CLAMP	2	
8	37725-96J00	BRACKET, SWITCH ASSY	1	
9	37850-99E04	SWITCH ASSY, PTT	1	
10	37722-93J11	SWITCH ASSY, TILT LIMIT	1	
11	09407-14407	CLAMP (L:145)	1	
12	38410-93J12	RELAY ASSY, PTT	1	
13	38415-93J00	HOLDER, PTT RELAY	1	
14	33920-96JD0	UNIT, ENGINE CONTROL	1	
15	33925-93J00	CUSHION, ENGINE CONTROL UNIT	1	
16	09407-14407	CLAMP (L:145)	2	



FIG.100

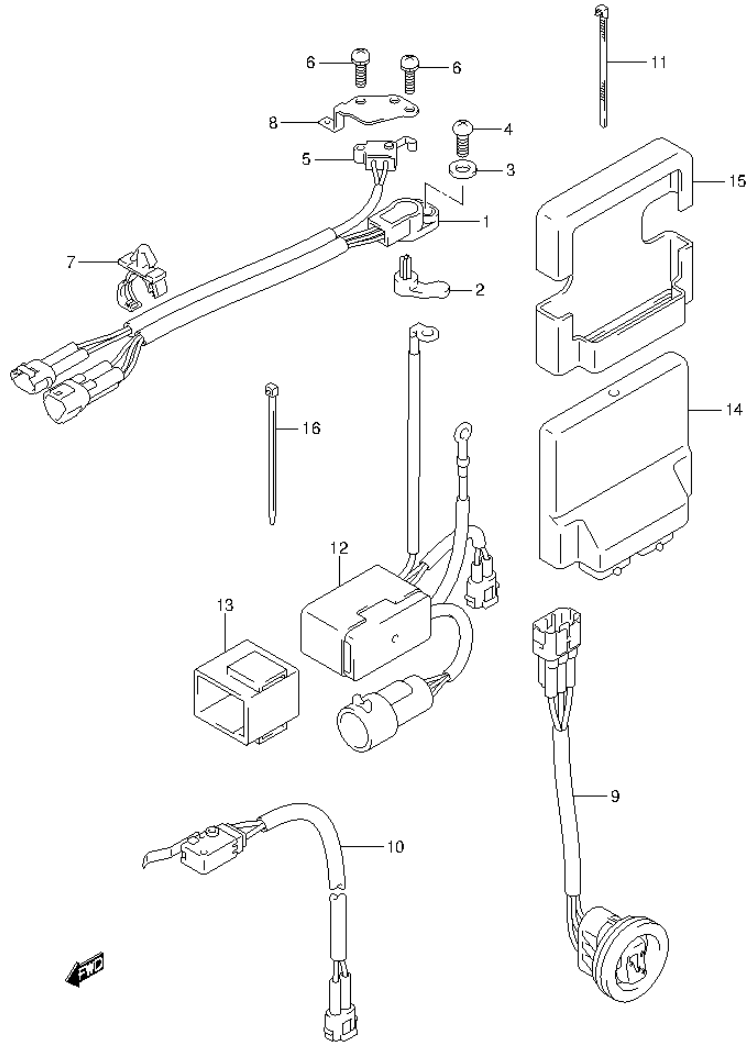


FIG.100 (1-L-10) PTT SWITCH / ENGINE CONTROL UNIT (DF150Z E40)

REF NO.	PART NO.	DESCRIPTION	Q'TY	REMARKS
1	13580-93J02	SENSOR ASSY, SHIFT POSITION	1	
2	37729-93J00	LEVER, SHIFT SENSOR	1	
3	09160-05029	WASHER (5.5X12X0.8)	1	
4	02112-35167	SCREW	1	
5	37721-93J00	SWITCH ASSY, NEUTRAL	1	
6	09137-04004	SCREW (4X16)	2	
7	09403-12412	CLAMP	2	
8	37725-96J00	BRACKET, SWITCH ASSY	1	
9	37850-99E04	SWITCH ASSY, PTT	1	
10	37722-93J11	SWITCH ASSY, TILT LIMIT	1	
11	09407-14407	CLAMP (L:145)	1	
12	38410-93J12	RELAY ASSY, PTT	1	
13	38415-93J00	HOLDER, PTT RELAY	1	
14	33920-96JD0	UNIT, ENGINE CONTROL	1	
15	33925-93J00	CUSHION, ENGINE CONTROL UNIT	1	
16	09407-14407	CLAMP (L:145)	2	

FIG.101

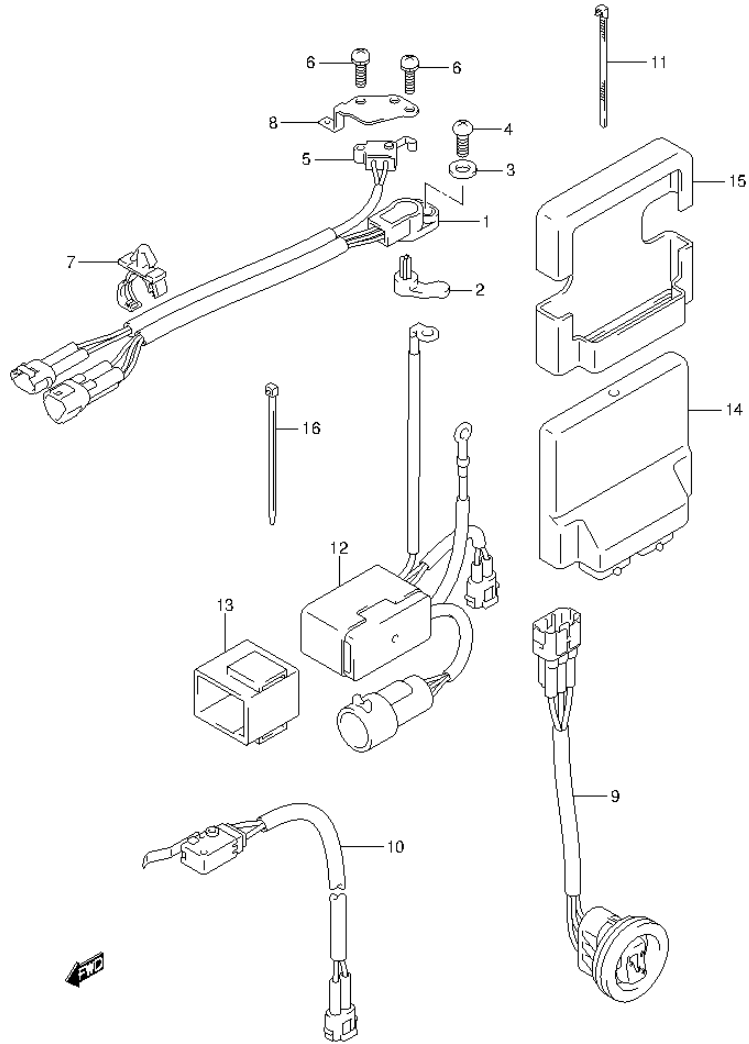


FIG.101 (1-L-11) PTT SWITCH / ENGINE CONTROL UNIT (DF175T E1)

REF NO.	PART NO.	DESCRIPTION	Q'TY	REMARKS
1	13580-93J02	SENSOR ASSY, SHIFT POSITION	1	
2	37729-93J00	LEVER, SHIFT SENSOR	1	
3	09160-05029	WASHER (5.5X12X0.8)	1	
4	02112-35167	SCREW	1	
5	37721-93J00	SWITCH ASSY, NEUTRAL	1	
6	09137-04004	SCREW (4X16)	2	
7	09403-12412	CLAMP	2	
8	37725-96J00	BRACKET, SWITCH ASSY	1	
9	37850-99E04	SWITCH ASSY, PTT	1	
10	37722-93J11	SWITCH ASSY, TILT LIMIT	1	
11	09407-14407	CLAMP (L:145)	1	
12	38410-93J12	RELAY ASSY, PTT	1	
13	38415-93J00	HOLDER, PTT RELAY	1	
14	33920-96JC0	UNIT, ENGINE CONTROL	1	
15	33925-93J00	CUSHION, ENGINE CONTROL UNIT	1	
16	09407-14407	CLAMP (L:145)	2	

FIG.102

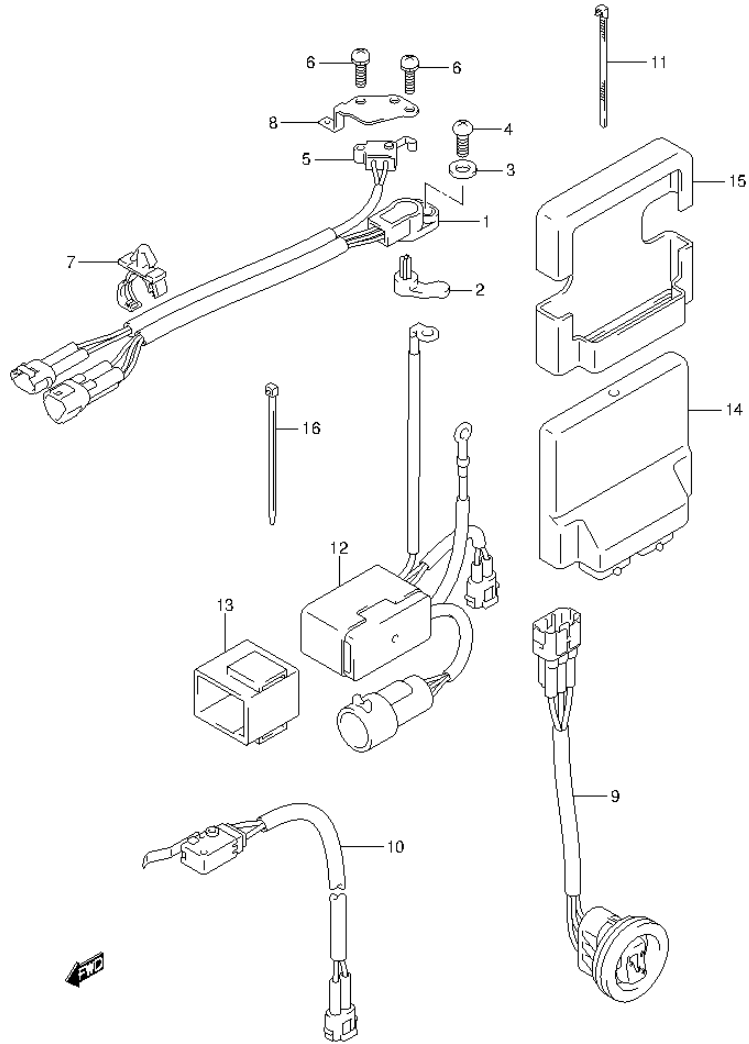


FIG.102 (1-L-12) PTT SWITCH / ENGINE CONTROL UNIT (DF175T E40)

REF NO.	PART NO.	DESCRIPTION	Q'TY	REMARKS
1	13580-93J02	SENSOR ASSY, SHIFT POSITION	1	
2	37729-93J00	LEVER, SHIFT SENSOR	1	
3	09160-05029	WASHER (5.5X12X0.8)	1	
4	02112-35167	SCREW	1	
5	37721-93J00	SWITCH ASSY, NEUTRAL	1	
6	09137-04004	SCREW (4X16)	2	
7	09403-12412	CLAMP	2	
8	37725-96J00	BRACKET, SWITCH ASSY	1	
9	37850-99E04	SWITCH ASSY, PTT	1	
10	37722-93J11	SWITCH ASSY, TILT LIMIT	1	
11	09407-14407	CLAMP (L:145)	1	
12	38410-93J12	RELAY ASSY, PTT	1	
13	38415-93J00	HOLDER, PTT RELAY	1	
14	33920-96JD0	UNIT, ENGINE CONTROL	1	
15	33925-93J00	CUSHION, ENGINE CONTROL UNIT	1	
16	09407-14407	CLAMP (L:145)	2	

FIG.103

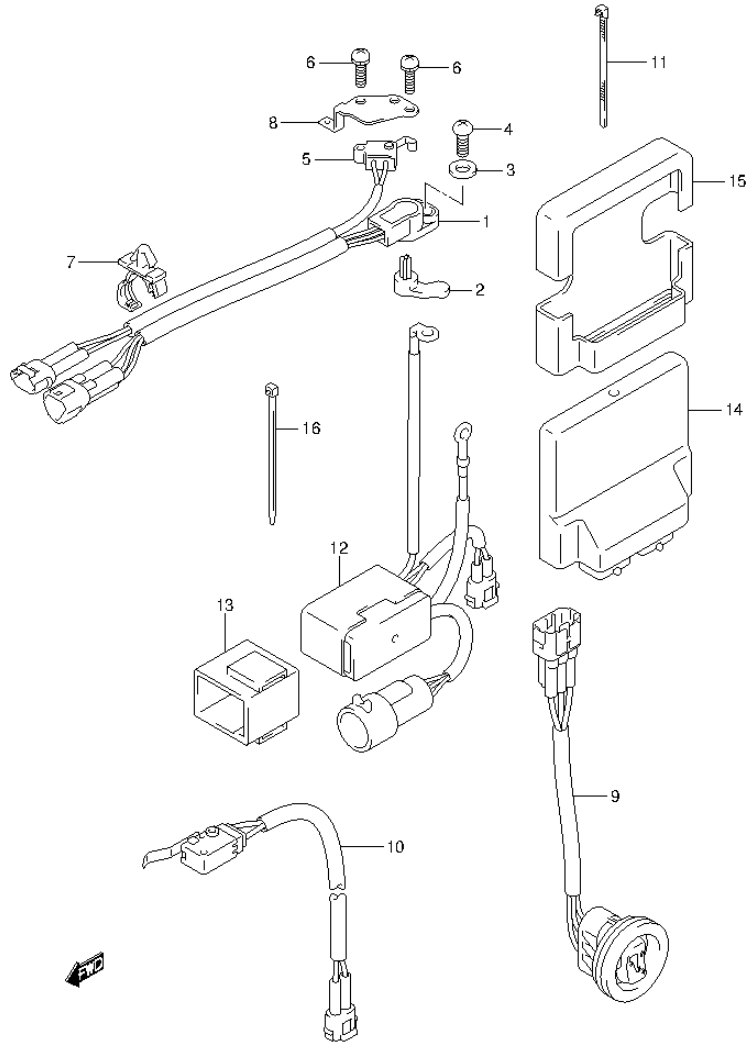


FIG.103 (1-L-13) PTT SWITCH / ENGINE CONTROL UNIT (DF175Z E1)

REF NO.	PART NO.	DESCRIPTION	Q'TY	REMARKS
1	13580-93J02	SENSOR ASSY, SHIFT POSITION	1	
2	37729-93J00	LEVER, SHIFT SENSOR	1	
3	09160-05029	WASHER (5.5X12X0.8)	1	
4	02112-35167	SCREW	1	
5	37721-93J00	SWITCH ASSY, NEUTRAL	1	
6	09137-04004	SCREW (4X16)	2	
7	09403-12412	CLAMP	2	
8	37725-96J00	BRACKET, SWITCH ASSY	1	
9	37850-99E04	SWITCH ASSY, PTT	1	
10	37722-93J11	SWITCH ASSY, TILT LIMIT	1	
11	09407-14407	CLAMP (L:145)	1	
12	38410-93J12	RELAY ASSY, PTT	1	
13	38415-93J00	HOLDER, PTT RELAY	1	
14	33920-96JC0	UNIT, ENGINE CONTROL	1	
15	33925-93J00	CUSHION, ENGINE CONTROL UNIT	1	
16	09407-14407	CLAMP (L:145)	2	

FIG.104

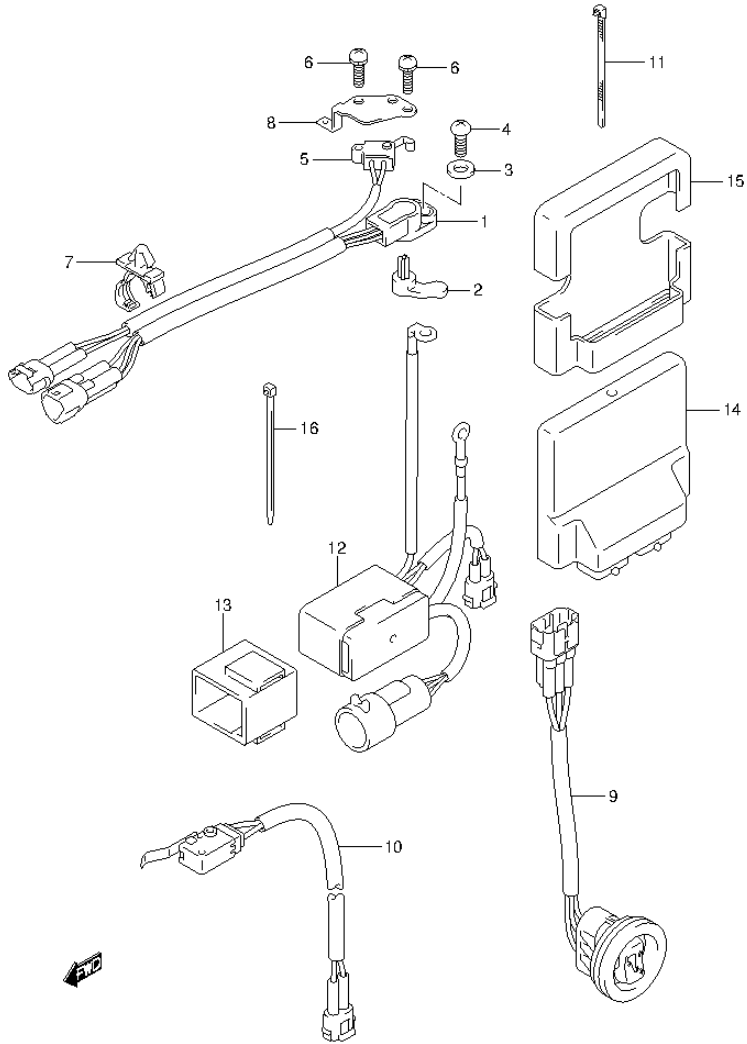


FIG.104 (1-L-14) PTT SWITCH / ENGINE CONTROL UNIT (DF175Z E40)

REF NO.	PART NO.	DESCRIPTION	Q'TY	REMARKS
1	13580-93J02	SENSOR ASSY, SHIFT POSITION	1	
2	37729-93J00	LEVER, SHIFT SENSOR	1	
3	09160-05029	WASHER (5.5X12X0.8)	1	
4	02112-35167	SCREW	1	
5	37721-93J00	SWITCH ASSY, NEUTRAL	1	
6	09137-04004	SCREW (4X16)	2	
7	09403-12412	CLAMP	2	
8	37725-96J00	BRACKET, SWITCH ASSY	1	
9	37850-99E04	SWITCH ASSY, PTT	1	
10	37722-93J11	SWITCH ASSY, TILT LIMIT	1	
11	09407-14407	CLAMP (L:145)	1	
12	38410-93J12	RELAY ASSY, PTT	1	
13	38415-93J00	HOLDER, PTT RELAY	1	
14	33920-96JD0	UNIT, ENGINE CONTROL	1	
15	33925-93J00	CUSHION, ENGINE CONTROL UNIT	1	
16	09407-14407	CLAMP (L:145)	2	

FIG.105

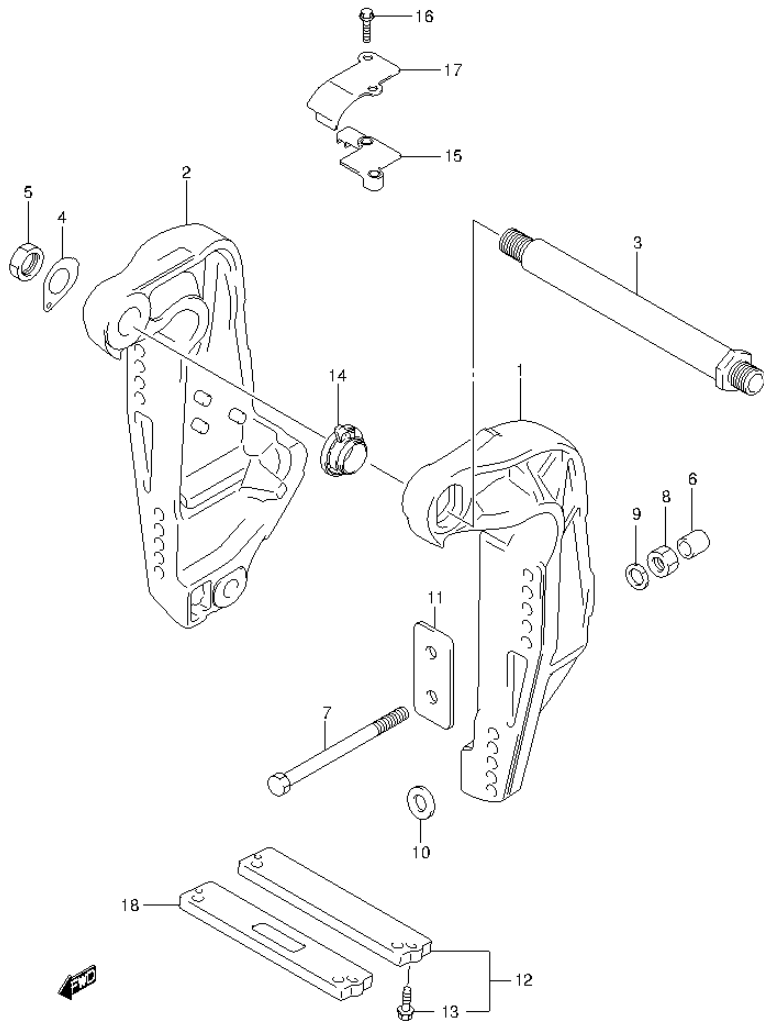


FIG.105 (1-L-15) CLAMP BRACKET

REF NO.	PART NO.	DESCRIPTION	Q'TY	REMARKS
1-1	41111-96J21-0EP	BRACKET, CLAMP STBD (BLACK)	1	
1-2	41111-96J21-Y5S	BRACKET, CLAMP STBD (WHITE)	1	
2-1	41121-96J11-0EP	BRACKET, CLAMP PORT (BLACK)	1	
2-2	41121-96J11-Y5S	BRACKET, CLAMP PORT (WHITE)	1	
3	41130-92J03	SHAFT, CLAMP BRKT	1	
4	41135-92J00	WASHER, CLAMP BRACKET SHAFT	1	
5	09159-22006	NUT	1	
6	41153-93J00	CAP, TRANSOM BOLT	6	
7-1	09100-12086	BOLT (12X150)	6	
7-2	09100-12085	BOLT (12.7X115)	1	OPT
7-3	09100-12092	BOLT (12X75)	1	OPT
8	09159-12062	NUT	6	
9	09160-13016	WASHER (13.2X26X3)	6	
10	09160-13017	WASHER (13.2X45X5)	4	
11	41155-93J02	PLATE, TRANSOM	2	
12	55320-94900	ZINC SET, PROTECTION	1	
13	09116-06121	.BOLT (6X25)	2	
14	48140-93J01	CAM, TILT LIMIT SWITCH	1	
15	48144-93J00	HOLDER, TILT LIMIT SWITCH	1	
16	09103-06278	BOLT (6X25)	2	
17	48145-93J00	COVER, TILT LIMIT SWITCH	1	
18	55321-94910	ANODE (MAGNESIUM)	1	OPT



FIG.106

FIG.106 (2-B-2) SWIVEL BRACKET

REF NO.	PART NO.	DESCRIPTION	Q'TY	REMARKS
1	22511-99011	NIPPLE, GREASE	4	
2	36894-87D00	LEAD (SWIVEL TO MOUNT BRKT)	1	
3-1	43111-96J00-0EP	BRACKET, SWIVEL (L) (BLACK)	1	W/TRANSOM(L)
3-2	43111-96J00-Y5S	BRACKET, SWIVEL (L) (WHITE)	1	W/TRANSOM(L)
3-3	43111-96J10-0EP	BRACKET, SWIVEL (X) (BLACK)	1	W/TRANSOM(X)
3-4	43111-96J10-Y5S	BRACKET, SWIVEL (X) (WHITE)	1	W/TRANSOM(X)
4	43211-93J00	BUSH, CLAMP SHAFT SWIVEL	2	
5	43711-97E00	BUSH, STEERING	2	
6-1	43750-96J02-0EP	BRACKET, STEERING (L) (BLACK)	1	W/TRANSOM(L)
6-2	43750-96J02-Y5S	BRACKET, STEERING (L) (WHITE)	1	W/TRANSOM(L)
6-3	43750-96J12-0EP	BRACKET, STEERING (X) (BLACK)	1	W/TRANSOM(X)
6-4	43750-96J12-Y5S	BRACKET, STEERING (X) (WHITE)	1	W/TRANSOM(X)
7	09125-06063	SCREW (6X10)	1	
8	09160-39001	WASHER (39.5X64X1)	2	
9	09181-39001	SHIM (39.5X64X0.3)	4	
10	09380-38003	CIRCLIP	1	
11	09169-28003	WASHER	2	
12	09282-39001	OIL SEAL (39X51X5)	1	
13-1	55321-87J00	ANODE, PROTECTION	1	
13-2	55321-87J10	ANODE (MAGNESIUM)	1	OPT
14	09103-06281	BOLT (6X14)	1	
15	41220-96J10	LEVER, TILT LOCK	1	
16	41234-96J10	LEVER, TILT LOCK PORT	1	
17	41224-95E01	BUSH, TILT STOPPER ROD	2	
18	41230-96J00	LINK, TILT LOCK LEVER	1	
19	41233-95E10	BRACKET, TILT LOCK SPRING	1	
20	09125-06063	SCREW (6X10)	1	
21	09140-10032	NUT	1	
22	09160-06082	WASHER (6.5X13X1.0)	1	
23	09204-01006	PIN	1	
24	09440-19028	SPRING	1	
25	09443-10043	SPRING	1	
26	36894-87D00	LEAD (SWIVEL TO MOUNT BRACKET)	1	
27	09125-06063	SCREW (6X10)	2	

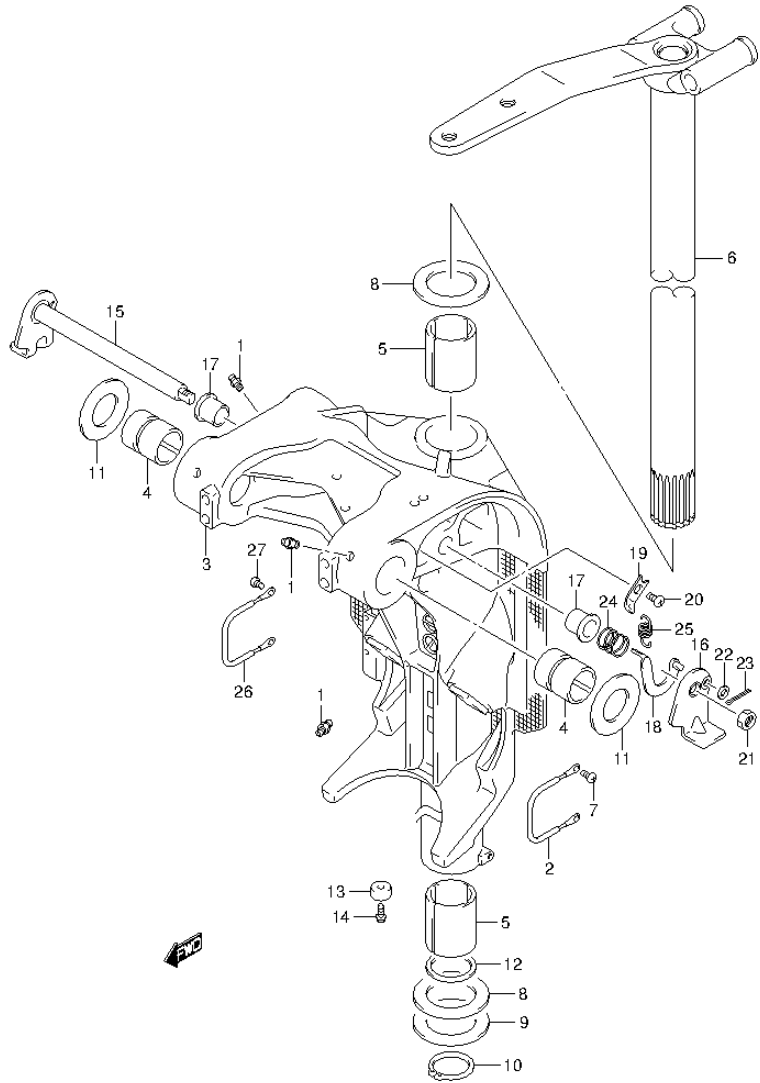


FIG.107

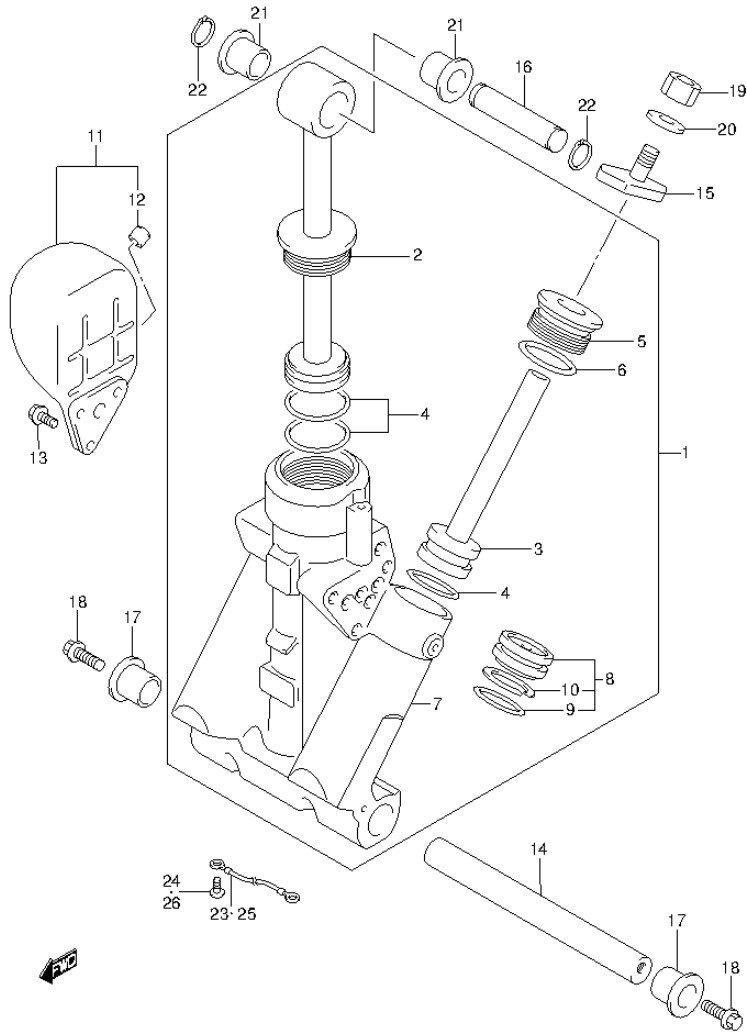


FIG.107 (2-B-3) TRIM CYLINDER

REF NO.	PART NO.	DESCRIPTION	Q'TY	REMARKS
1	48503-96J03	MANIFOLD SUB ASSY	1	
2	48401-96J01	.PISTON ASSY	1	
3	48601-94900	.PISTON / RAM ASSY	2	
4	48627-95E00	.O RING SET	3	
5	48630-96J02	.HEAD, TRIM CYLINDER	2	
6	48633-94900	.O RING SET (2PCS)	2	
7	48641-96J02	.MANIFOLD, PTT	1	
8	48650-94900	.PISTON, FREE	1	
9	48405-87D00	..O RING	1	
10	48615-97E00	..RING SET, PISTON	1	
11	48570-95E01	RESERVOIR	1	
12	48572-95E00	.CAP	1	
13	48861-92J01	BOLT, RESERVOIR	3	
14	48121-92J00	SHAFT, TILT CYLINDER LOWER	1	
15	48311-96J10	PAD, TRIM CYLINDER RAM	2	
16	48321-87D03	SHAFT, TILT CYLINDER UPPER	1	
17	48326-95E00	BUSH, TILT CYLINDER LOWER	2	
18	09116-10174	BOLT (10X35)	2	
19	29141-93J20	NUT, TRIM CYLINDER RAM (M10)	2	
20	09162-10005	LOCK WASHER	2	
21	09306-17001	BUSH	2	
22	09380-17009	CIRCLIP	2	
23	36894-87D00	LEAD, PTT TO ANODE (L165)	1	
24	09125-06063	SCREW (6X10)	1	
25	36895-87D10	LEAD, PTT TO ANODE (L310)	1	
26	09125-05050	SCREW (5X8)	1	

FIG.108

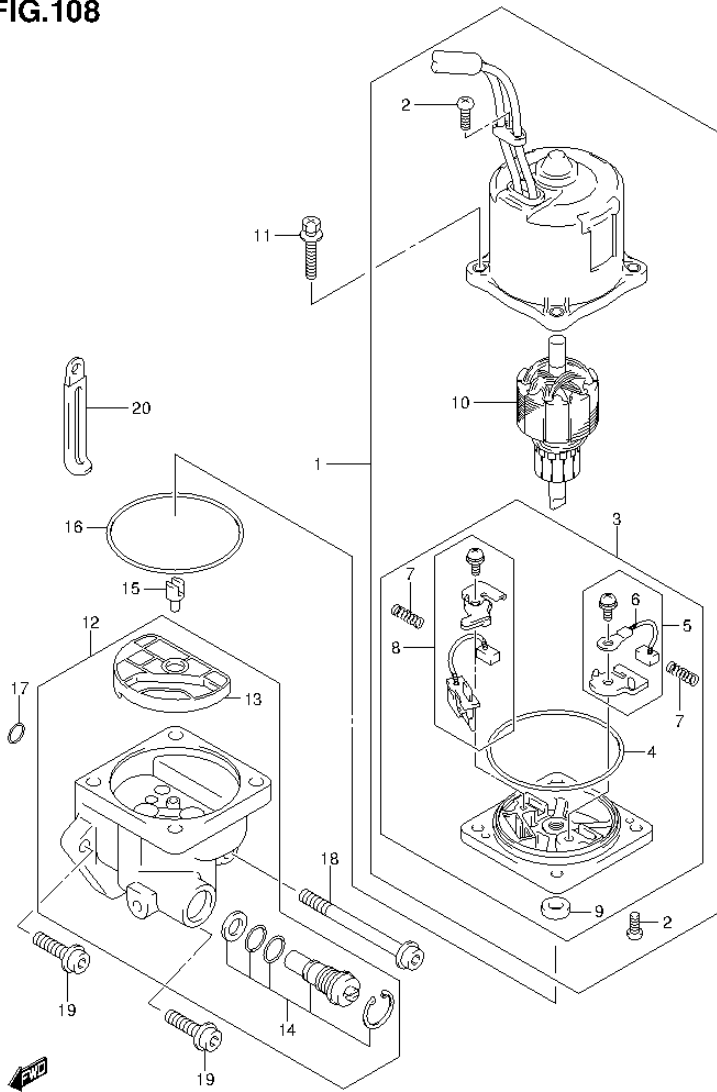
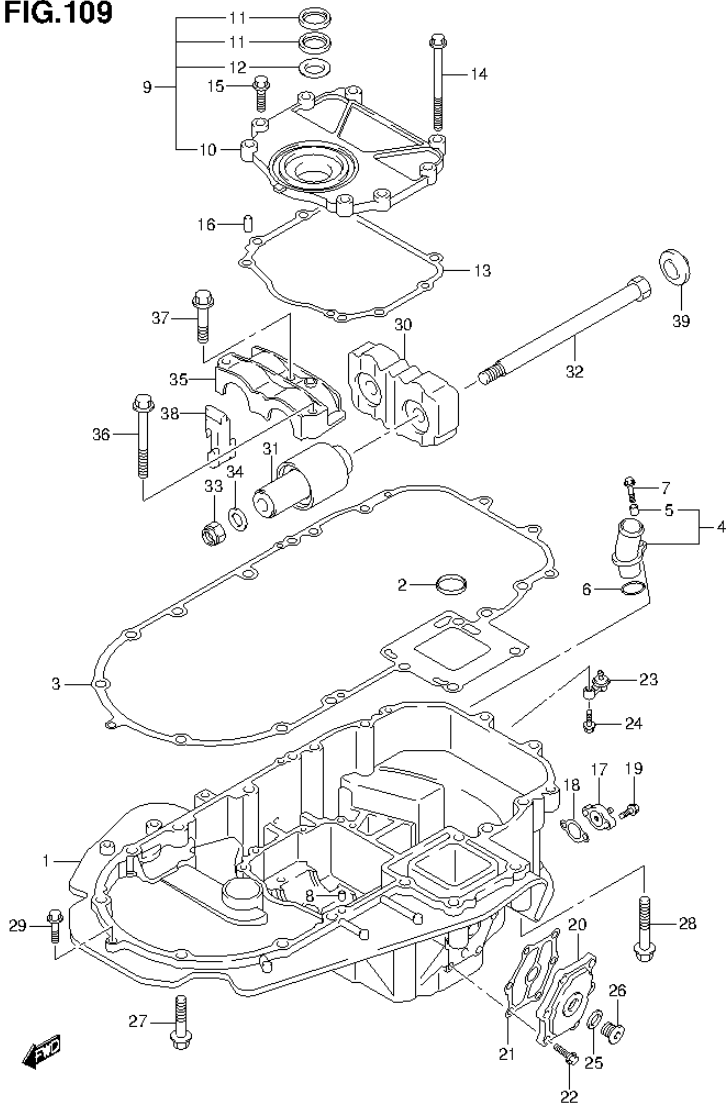


FIG.108 (2-B-4) PTT MOTOR

REF NO.	PART NO.	DESCRIPTION	Q'TY	REMARKS
1	38100-96J01	MOTOR ASSY, PTT	1	
2	31111-94900	.SCREW, YOKE	3	
3	31173-94910	.HOLDER, BRUSH	1	
4	31123-94910	..O RING	1	
5	31133-90J00	..BRUSH SET, PLUS	1	
6	31133-94900	...BRUSH, PLUS	1	
7	31135-94900	..SPRING	2	
8	31136-90J10	..BREAKER	1	
9	33799-97E00	..OIL SEAL	1	
10	31311-94900	..ARMATURE	1	
11	31281-92J10	BOLT	4	
12	48502-96J05	PUMP ASSY	1	
13	48582-95E01	..FILTER	1	
14	48864-96J10	..VALVE, MANUAL	1	
15	48583-95E00	JOINT, DRIVE	1	
16	48585-95E00	O RING	1	
17	48588-94900	O RING SET (6PCS)	1	
18	48862-92J20	BOLT	1	
19	48862-92J30	BOLT	2	
20	29404-93J10	CLAMP	1	

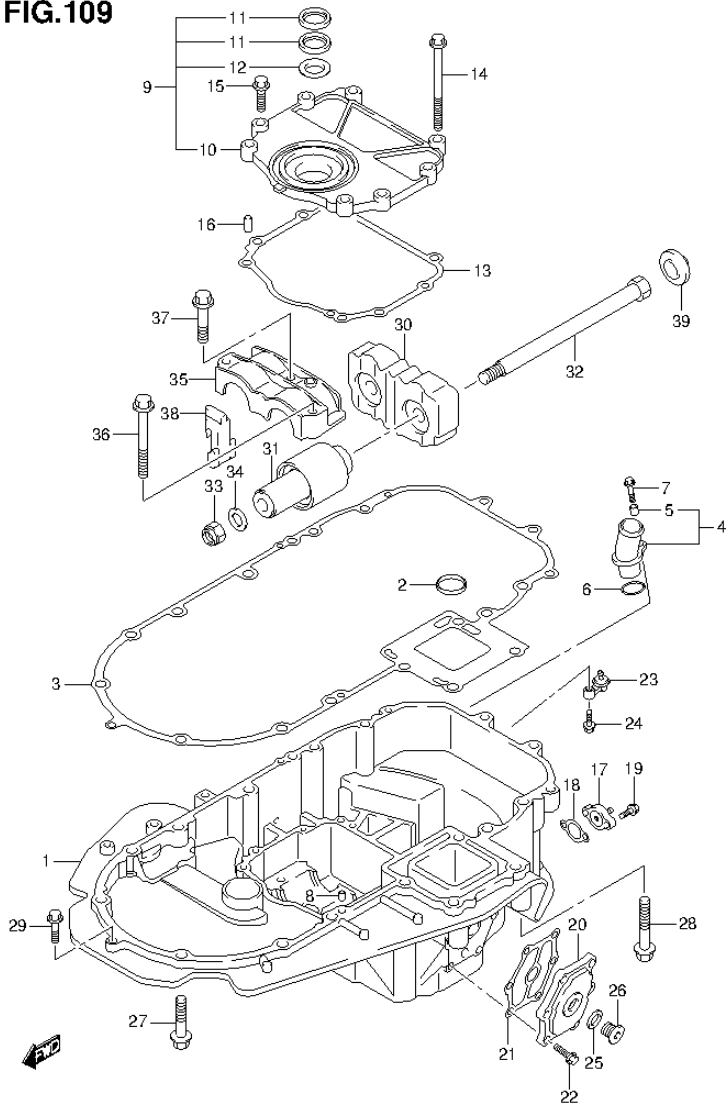
**FIG.109**



**FIG.109 (2-B-5) ENGINE HOLDER**

REF NO.	PART NO.	DESCRIPTION	Q'TY	REMARKS
1-1	51111-96J00-0EP	HOLDER SET, ENGINE (BLACK)	1	
1-2	51111-96J00-Y5S	HOLDER SET, ENGINE (WHITE)	1	
2	16519-93J00	SEAL, ENGINE HOLDER OIL	1	
3	51211-96J00	GASKET, ENGINE HOLDER	1	
4	51115-90J10	UNION, WATER RETURN	1	
5	09180-06289	.SPACER (6.5X10X11.5)	1	
6	09280-26006	O RING (D:3.1,ID:26.4)	1	
7	01550-06257	BOLT	1	
8	09206-08001	PIN (8X11)	2	
9	51120-96J00	COVER, MOUNT OIL SEAL	1	
10	51122-96J01	.COVER, MOUNT OIL SEAL	1	
11	51124-93J00	.OIL SEAL	2	
12	51125-93J00	.SCRAPER	1	
13	51123-96J01	GASKET, MOUNT OIL SEAL COVER	1	
14	09103-08109	BOLT (8X120)	1	
15	01550-0830A	BOLT	7	
16	09206-08001	PIN (8X11)	2	
17	51140-96J00	COVER, ENGINE HOLDER	1	
18	51142-96J00	GASKET, ENGINE HOLDER COVER	1	
19	01550-06207	BOLT	2	
20	51161-96J00-0EP	COVER, ENG HOLDER WATER JKT (BLACK)	1	
21	51162-96J00	GASKET, ENG HOLDER WTR JKT COV	1	
22	09103-06093	BOLT (6X20)	6	
23	51170-96J00	BRACKET, WATER INDICATOR	1	
24	09116-06121	BOLT (6X25)	1	
25	09160-18031	WASHER (18.5X28X2.6)	1	
26	09248-18010	PLUG (18X15)	1	
27	09116-10175	BOLT (10X50)	6	
28	09116-10137	BOLT (10X70)	2	
29	01550-08307	BOLT	1	
30	54121-96J01	MOUNT, UPPER THRUST	1	
31	54130-96J01	MOUNT, UPPER	2	
32	54112-96J01	BOLT, UPPER MOUNT (14X227)	2	
33	09159-14026	NUT	2	

**FIG.109**



**FIG.109 (2-B-6) ENGINE HOLDER**

REF NO.	PART NO.	DESCRIPTION	Q'TY	REMARKS
34	09160-15051	WASHER (15X24X3)	2	
35	54137-93J02	COVER, UPPER MOUNT	1	
36	09116-10135	BOLT (10X95)	1	
37	09116-10175	BOLT (10X50)	2	
38	54127-96J00	MOUNT, UPPER SIDE	2	
39	54122-96J00	SPACER, UPPER MOUNT THRUST	2	

FIG.110

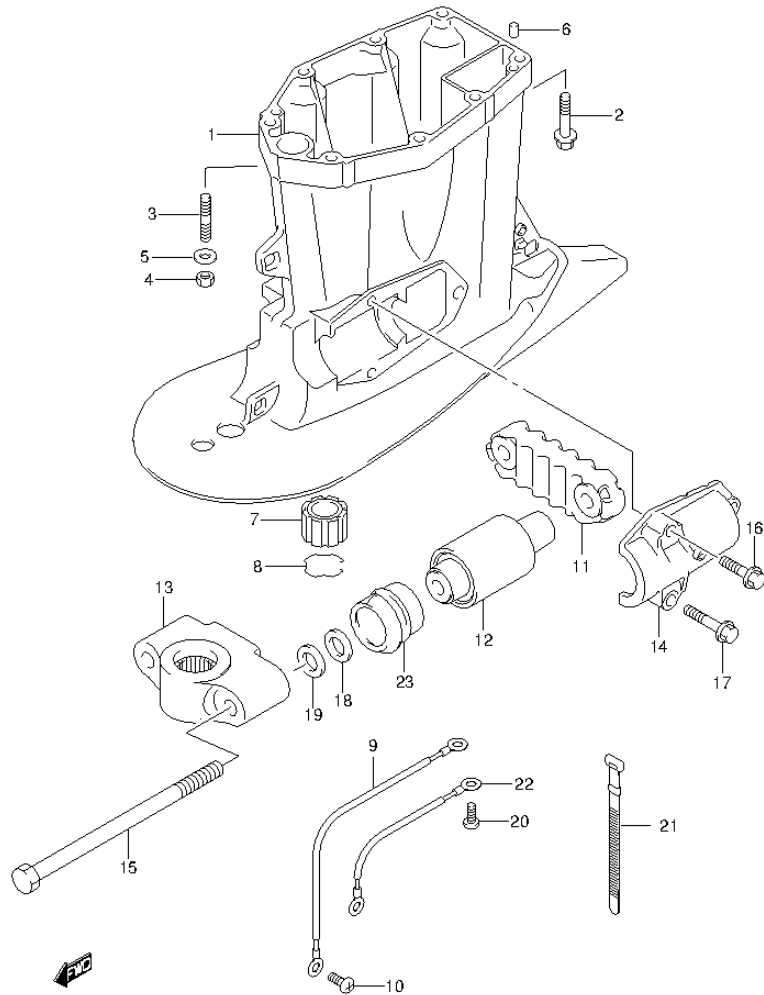


FIG.110 (2-B-7) DRIVE SHAFT HOUSING

REF NO.	PART NO.	DESCRIPTION	Q'TY	REMARKS
1-1	52111-96J00-0EP	HOUSING, DRIVE SHAFT (L) (BLACK)	1	W/TRANSOM(L)
1-2	52111-96J00-Y5S	HOUSING, DRIVE SHAFT (L) (WHITE)	1	W/TRANSOM(L)
1-3	52111-96J10-0EP	HOUSING, DRIVE SHAFT (X) (BLACK)	1	W/TRANSOM(X)
1-4	52111-96J10-Y5S	HOUSING, DRIVE SHAFT (X) (WHITE)	1	W/TRANSOM(X)
2-1	09116-10176	BOLT (10X44)	6	W/TRANSOM(L)
2-2	09116-10176	BOLT (10X44)	8	W/TRANSOM(X)
3	09108-10150	STUD BOLT	2	W/TRANSOM(L)
4	29141-93J20	NUT, DRIVE SFT HSG STUD (M10)	2	W/TRANSOM(L)
5	09160-10141	WASHER (10.5X19X2)	2	W/TRANSOM(L)
6	09202-08006	PIN (8X12)	2	
7	57130-87D10	BUSH, DRIVE SHAFT	1	W/TRANSOM(X)
8	09387-38002	RING	1	W/TRANSOM(X)
9	36895-87D10	LEAD (SWIVEL TO HSG)	1	
10	09125-06063	SCREW (6X10)	1	
11	54151-96J01	MOUNT, LOWER THRUST	1	
12	54160-96J01	MOUNT, LOWER	2	
13-1	54211-96J01	BRACKET, LOWER MOUNT	1	FOR 0EP
13-2	54211-96J01-Y5S	BRACKET, LOWER MOUNT	1	
14	54221-96J00-0EP	COVER, LOWER MOUNT (BLACK)	2	
15	09100-14004	BOLT (14X220)	2	
16	09116-10174	BOLT (10X35)	2	
17	09116-10175	BOLT (10X50)	4	
18	09160-16050	WASHER (16X32X3)	2	
19	09160-16050	WASHER (16X32X3)	2	
20	09125-06063	SCREW (6X10)	1	
21	09407-10404	CLAMP (L:100)	1	
22	36894-87D00	LEAD (SWIVEL TO MOUNT BRKT)	1	
23	54167-96J00	MOUNT, LOWER SIDE	2	

FIG.111

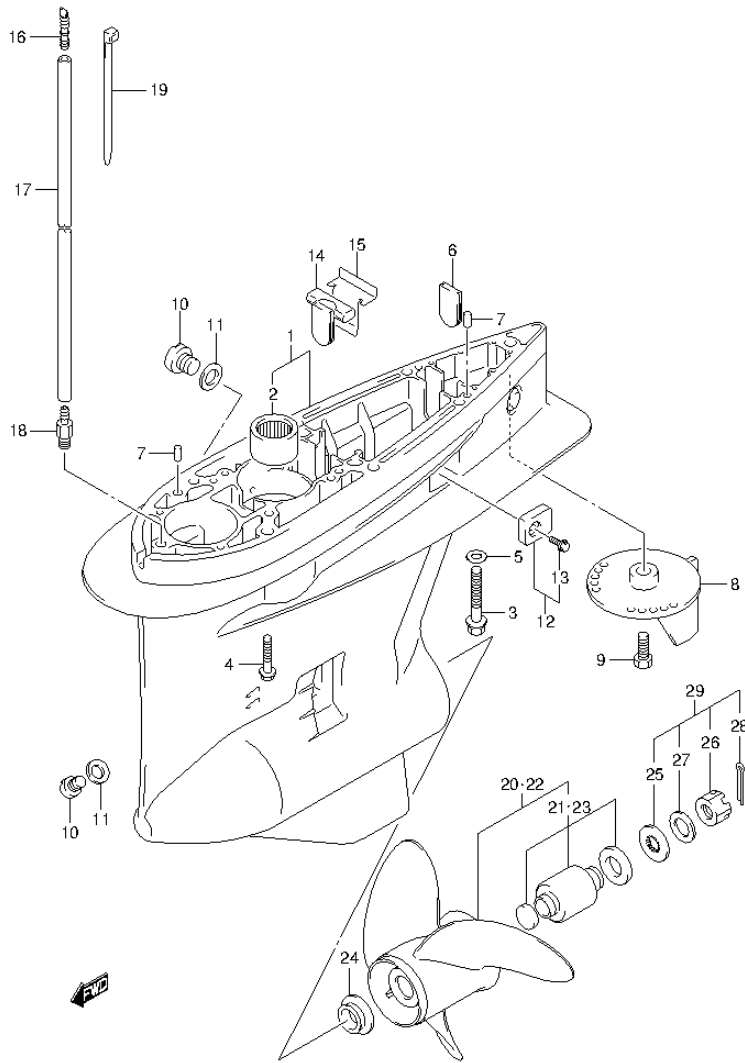
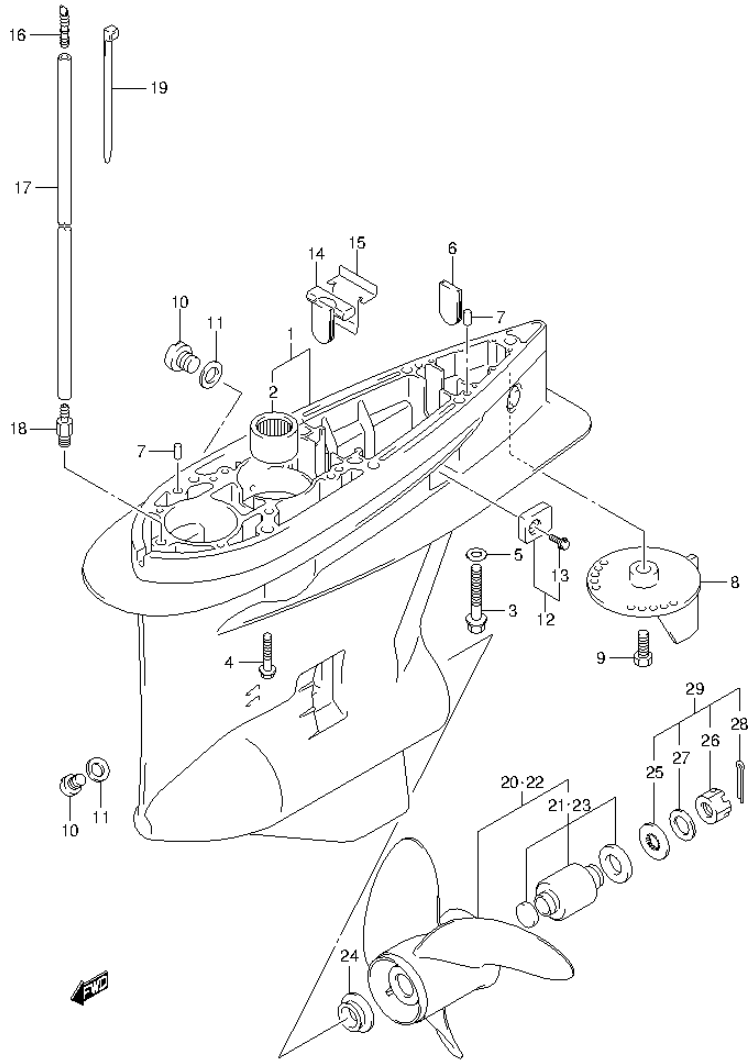


FIG.111 (2-B-8) GEAR CASE (DF150T E1)

REF NO.	PART NO.	DESCRIPTION	Q'TY	REMARKS
1-1	55110-93J20-0EP	CASE, GEAR (BLACK)	1	
1-2	55110-93J20-Y5S	CASE, GEAR (WHITE)	1	
2	09263-32017	.BEARING (32X48X30)	1	
3	09100-12052	BOLT (12X70)	1	
4	09116-10150	BOLT (10X55)	6	
5	09160-12066	WASHER (12.5X22X2.5)	1	
6	17566-87D11	GROMMET, GEAR CASE	1	
7	09202-08006	PIN (8X12)	2	
8-1	55125-98J00-0EP	TAB, TRIM (BLACK)	1	
8-2	55125-98J00-Y5S	TAB, TRIM (WHITE)	1	
9	09116-08137	BOLT (8X22)	1	
10	55128-93J10	PLUG, DRAIN	3	
11	09168-10034	GASKET (9.5X16.5X2)	3	
12	55321-93J00	ZINC, PROTECTION	2	
13	09116-06236	BOLT (6X16)	2	
14	55332-87D11	RUBBER, EXHAUST SEAL	1	
15	55333-87D10	PLATE, EXHAUST SEAL	1	
16	55127-87D00	UNION, SPEEDOMETER HOSE	1	
17	09355-40805-00B	HOSE (4X8X2000)	1	L:2000->1700
18	09362-09008	UNION	1	
19	09407-10404	CLAMP (L:100)	2	
20-1	58200-93L00	PROPELLER (3X16X17)	1	OPT
20-2	58200-93L10	PROPELLER (3X16X18.5)	1	OPT
20-3	58200-93L20	PROPELLER (3X16X20)	1	OPT
20-4	58200-93L30	PROPELLER (3X16X21.5)	1	OPT
20-5	58200-93L40	PROPELLER (3X16X23)	1	OPT
20-6	58200-93L50	PROPELLER (3X16X24.5)	1	OPT
20-7	58200-93L60	PROPELLER (3X16X26)	1	OPT
20-8	58200-93L70	PROPELLER (3X16X27.5)	1	OPT
20-9	58200-93L80	PROPELLER (3X16X15)	1	OPT
20-10	58300-93J00	PROPELLER (4X15.25X18)	1	OPT
20-11	58300-93J10	PROPELLER (4X15.25X20)	1	OPT
20-12	58300-93J20	PROPELLER (4X15.25X22)	1	OPT
20-13	58300-93J30	PROPELLER (4X15.25X24)	1	OPT
20-14	58300-93J40	PROPELLER (4X15.25X26)	1	OPT
21	58105-93J10	.BUSH SET, PROPELLER	1	OPT

**FIG.111**



**FIG.111 (2-B-9) GEAR CASE (DF150T E1)**

REF NO.	PART NO.	DESCRIPTION	Q'TY	REMARKS
22-1	58200-96J00	PROPELLER (3X15.5X17)	1	
22-2	58200-96J10	PROPELLER (3X15.25X19)	1	
22-3	58200-96J20	PROPELLER (3X15X21)	1	
22-4	58200-96J30	PROPELLER (3X14.75X23)	1	
22-5	58200-96J40	PROPELLER (3X14.5X25)	1	OPT
22-6	58200-96J50	PROPELLER (3X14.5X27)	1	OPT
23	58105-93J00	.BUSH SET, PROPELLER	1	
24	57632-93L00	STOPPER, PROPELLER BUSH	1	
25	57633-87D30	SPACER, PROPELLER NUT	1	
26	09141-18005	NUT	1	
27	09160-18028	WASHER (18.5X31X1)	1	
28	09204-03003	PIN	1	
29	57630-92E00	KIT, PROPELLER NUT	1	OPT
30	25700-93J00	KIT, GEAR CASE SEALING	1	OPT NOT ILLUSTRATED



FIG.112

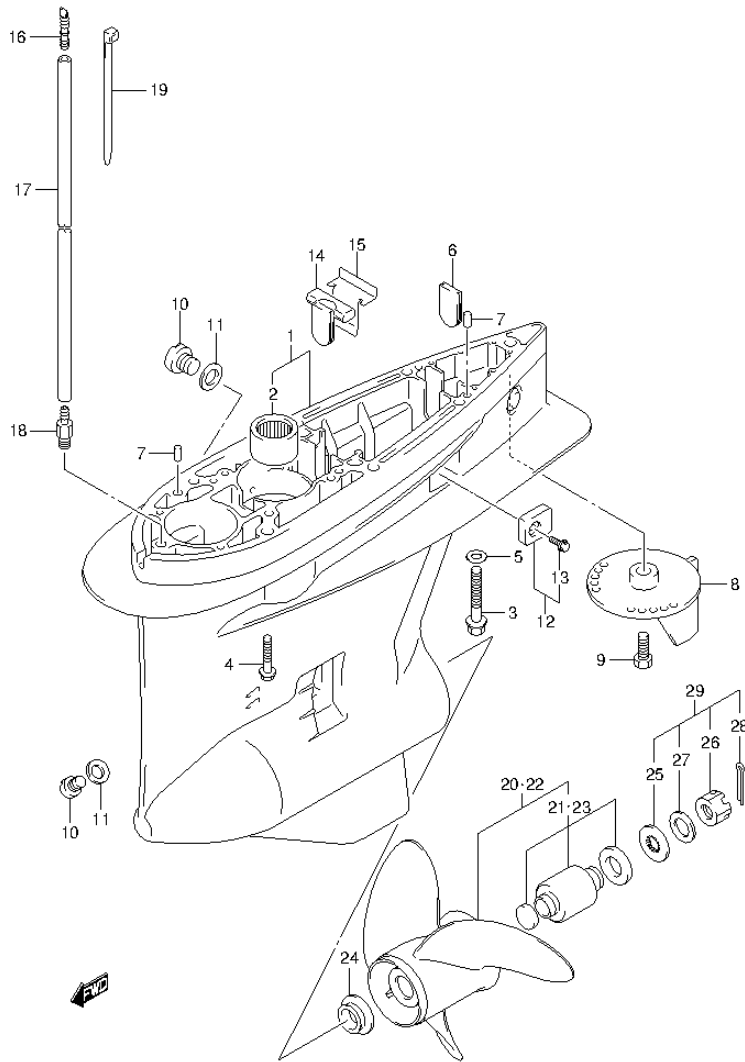


FIG.112 (2-B-10) GEAR CASE (DF150T E40)

REF NO.	PART NO.	DESCRIPTION	Q'TY	REMARKS
1	55110-93J20-0EP	CASE, GEAR (BLACK)	1	
2	09263-32017	.BEARING (32X48X30)	1	
3	09100-12052	BOLT (12X70)	1	
4	09116-10150	BOLT (10X55)	6	
5	09160-12066	WASHER (12.5X22X2.5)	1	
6	17566-87D11	GROMMET, GEAR CASE	1	
7	09202-08006	PIN (8X12)	2	
8	55125-98J00-0EP	TAB, TRIM (BLACK)	1	
9	09116-08137	BOLT (8X22)	1	
10	55128-93J10	PLUG, DRAIN	3	
11	09168-10034	GASKET (9.5X16.5X2)	3	
12	55321-93J00	ZINC, PROTECTION	2	
13	09116-06236	BOLT (6X16)	2	
14	55332-87D11	RUBBER, EXHAUST SEAL	1	
15	55333-87D10	PLATE, EXHAUST SEAL	1	
16	55127-87D00	UNION, SPEEDOMETER HOSE	1	
17	09355-40805-00B	HOSE (4X8X2000)	1	L:2000->1700
18	09362-09008	UNION	1	
19	09407-10404	CLAMP (L:100)	2	
20-1	58200-93L00	PROPELLER (3X16X17)	1	OPT
20-2	58200-93L10	PROPELLER (3X16X18.5)	1	OPT
20-3	58200-93L20	PROPELLER (3X16X20)	1	OPT
20-4	58200-93L30	PROPELLER (3X16X21.5)	1	OPT
20-5	58200-93L40	PROPELLER (3X16X23)	1	OPT
20-6	58200-93L50	PROPELLER (3X16X24.5)	1	OPT
20-7	58200-93L60	PROPELLER (3X16X26)	1	OPT
20-8	58200-93L70	PROPELLER (3X16X27.5)	1	OPT
20-9	58200-93L80	PROPELLER (3X16X15)	1	OPT
20-10	58300-93J00	PROPELLER (4X15.25X18)	1	OPT
20-11	58300-93J10	PROPELLER (4X15.25X20)	1	OPT
20-12	58300-93J20	PROPELLER (4X15.25X22)	1	OPT
20-13	58300-93J30	PROPELLER (4X15.25X24)	1	OPT
20-14	58300-93J40	PROPELLER (4X15.25X26)	1	OPT
21	58105-93J10	.BUSH SET, PROPELLER	1	OPT

FIG.112

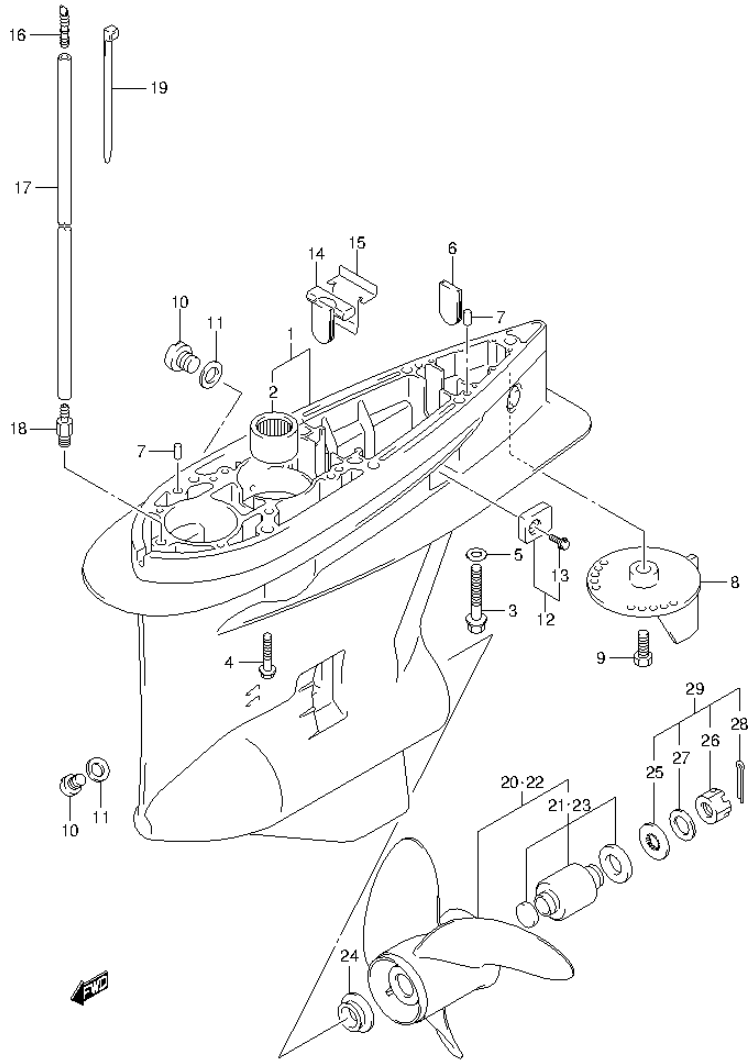


FIG.112 (2-B-11) GEAR CASE (DF150T E40)

REF NO.	PART NO.	DESCRIPTION	Q'TY	REMARKS
22-1	58200-96J00	PROPELLER (3X15.5X17)	1	
22-2	58200-96J10	PROPELLER (3X15.25X19)	1	
22-3	58200-96J20	PROPELLER (3X15X21)	1	
22-4	58200-96J30	PROPELLER (3X14.75X23)	1	
22-5	58200-96J40	PROPELLER (3X14.5X25)	1	OPT
22-6	58200-96J50	PROPELLER (3X14.5X27)	1	OPT
23	58105-93J00	.BUSH SET, PROPELLER	1	
24	57632-93L00	STOPPER, PROPELLER BUSH	1	
25	57633-87D30	SPACER, PROPELLER NUT	1	
26	09141-18005	NUT	1	
27	09160-18028	WASHER (18.5X31X1)	1	
28	09204-03003	PIN	1	
29	57630-92E00	KIT, PROPELLER NUT	1	OPT
30	25700-93J00	KIT, GEAR CASE SEALING	1	OPT NOT ILLUSTRATED

FIG.113

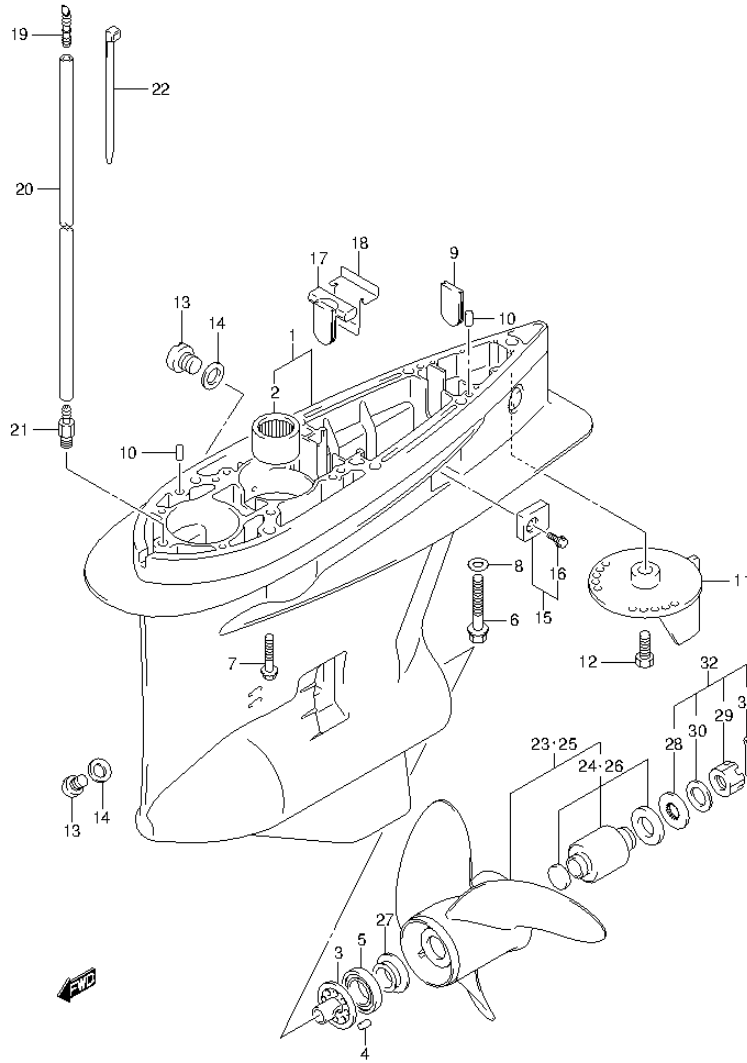
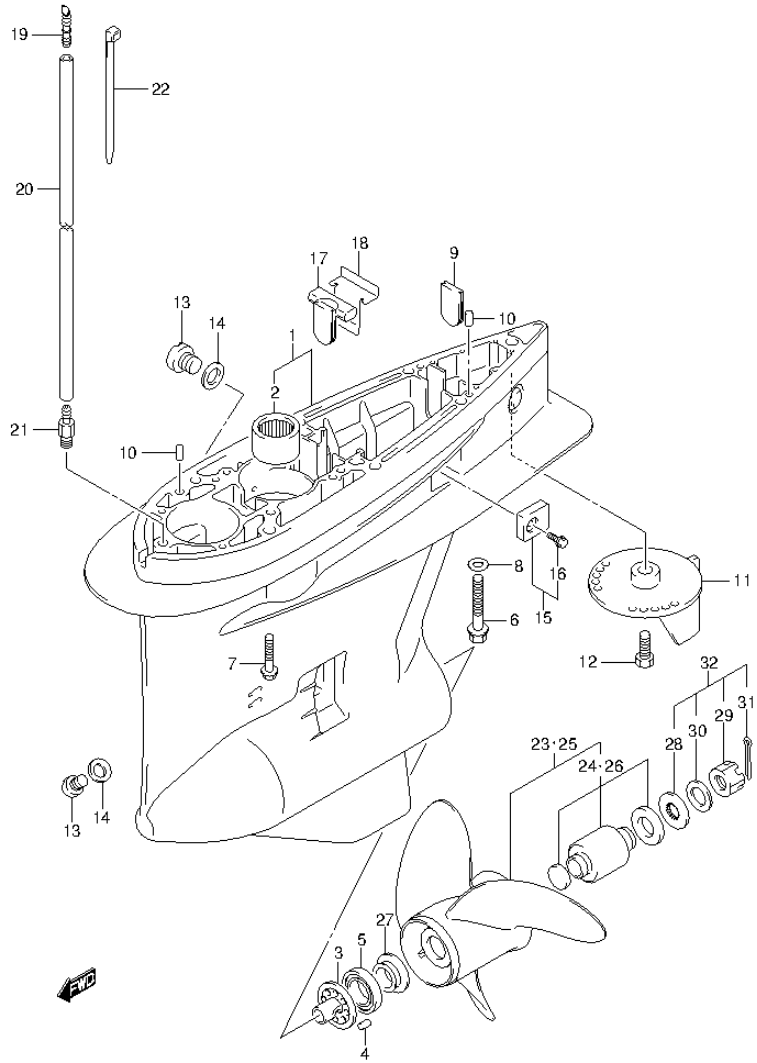


FIG.113 (2-B-12) GEAR CASE (DF150Z E1)

REF NO.	PART NO.	DESCRIPTION	Q'TY	REMARKS
1-1	55110-93J30-0EP	CASE, GEAR (BLACK)	1	
1-2	55110-93J30-Y5S	CASE, GEAR (WHITE)	1	
2	09263-32017	.BEARING (32X48X30)	1	
3	56145-93J00	.HOUSING, SHIFT CAM	1	
4	04221-08129	.PIN	1	
5	09265-50002	.BEARING (50X90X21.75)	1	
6	09100-12052	BOLT (12X70)	1	
7	09116-10150	BOLT (10X55)	6	
8	09160-12066	WASHER (12.5X22X2.5)	1	
9	17566-87D11	GROMMET, GEAR CASE	1	
10	09202-08006	PIN (8X12)	2	
11-1	55125-98J00-0EP	TAB, TRIM (BLACK)	1	
11-2	55125-98J00-Y5S	TAB, TRIM (WHITE)	1	
12	09116-08137	BOLT (8X22)	1	
13	55128-93J10	PLUG, DRAIN	3	
14	09168-10034	GASKET (9.5X16.5X2)	3	
15	55321-93J00	ZINC, PROTECTION	2	
16	09116-06236	BOLT (6X16)	2	
17	55332-87D11	RUBBER, EXHAUST SEAL	1	
18	55333-87D10	PLATE, EXHAUST SEAL	1	
19	55127-87D00	UNION, SPEEDOMETER HOSE	1	
20	09355-40805-00B	HOSE (4X8X2000)	1	L:2000->1700
21	09362-09008	UNION	1	
22	09407-10404	CLAMP (L:100)	2	
23-1	58200-93LA0	PROPELLER (3X16X18.5)	1	OPT
23-2	58200-93LB0	PROPELLER (3X16X20)	1	OPT
23-3	58200-93LC0	PROPELLER (3X16X21.5)	1	OPT
23-4	58200-93LD0	PROPELLER (3X16X23)	1	OPT
23-5	58200-93LE0	PROPELLER (3X16X17)	1	OPT
23-6	58200-93LF0	PROPELLER (3X16X24.5)	1	OPT
23-7	58200-93LG0	PROPELLER (3X16X26)	1	OPT
23-8	58300-93JA0	PROPELLER (4X15.25X20)	1	OPT
23-9	58300-93JB0	PROPELLER (4X15.25X22)	1	OPT
23-10	58300-93JC0	PROPELLER (4X15.25X24)	1	OPT
23-11	58300-93JD0	PROPELLER (4X15.25X26)	1	OPT
24	58105-93J10	.BUSH SET, PROPELLER	1	OPT

**FIG.113**



**FIG.113 (2-B-13) GEAR CASE (DF150Z E1)**

REF NO.	PART NO.	DESCRIPTION	Q'TY	REMARKS
25-1	58200-96JB0	PROPELLER (3X15.25X19)	1	
25-2	58200-96JC0	PROPELLER (3X15X21)	1	
25-3	58200-96JD0	PROPELLER (3X14.75X23)	1	
25-4	58200-96JA0	PROPELLER (3X15.5X17)	1	OPT
25-5	58200-96JE0	PROPELLER (3X14.5X25)	1	OPT
25-6	58200-96JF0	PROPELLER (3X14.5X27)	1	OPT
26	58105-93J00	.BUSH SET, PROPELLER	1	
27	57632-93L00	STOPPER, PROPELLER BUSH	1	
28	57633-87D30	SPACER, PROPELLER NUT	1	
29	09141-18005	NUT	1	
30	09160-18028	WASHER (18.5X31X1)	1	
31	09204-03003	PIN	1	
32	57630-92E00	KIT, PROPELLER NUT	1	OPT
33	25700-93J00	KIT, GEAR CASE SEALING	1	OPT NOT ILLUSTRATED

FIG.114

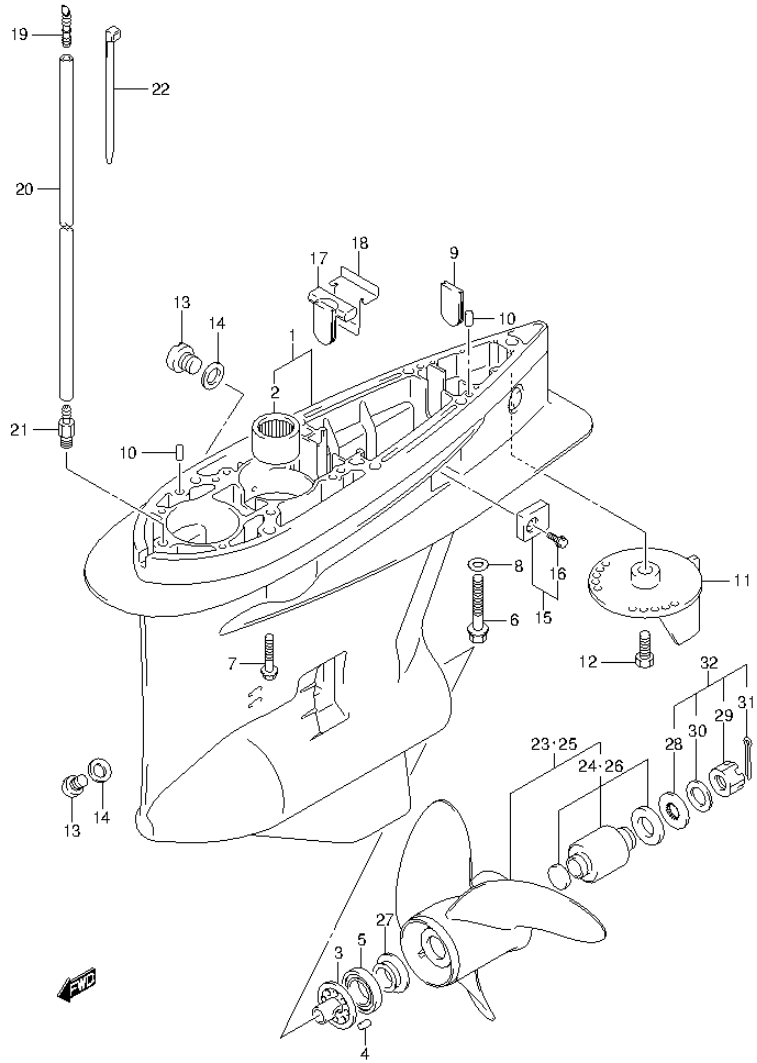
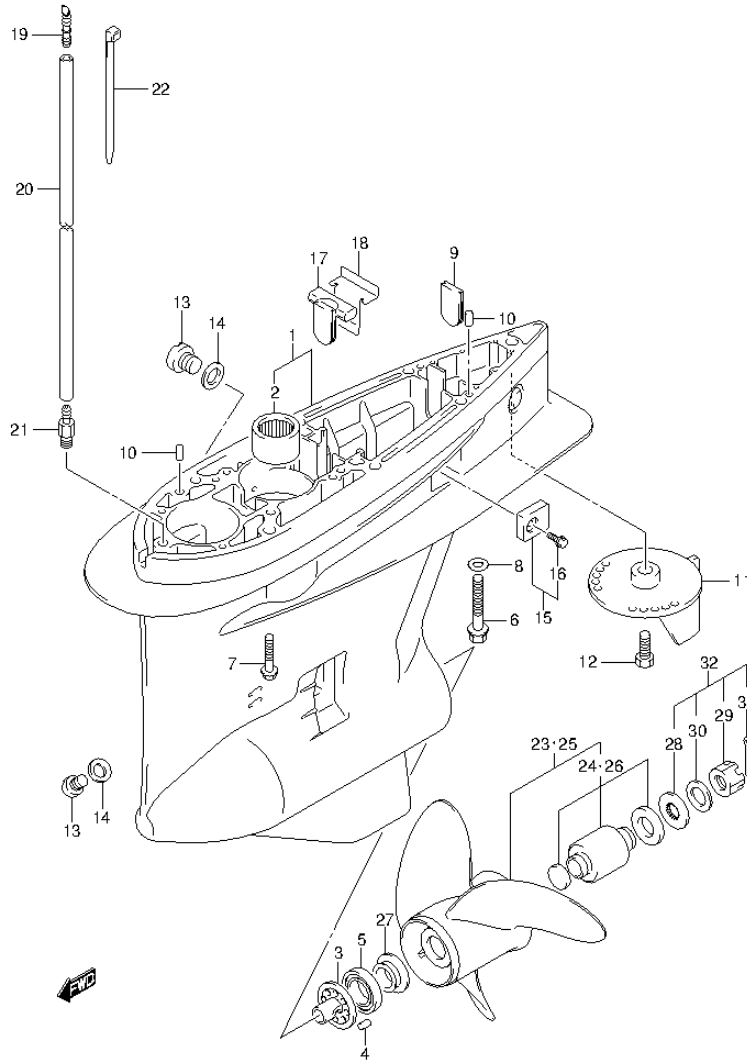


FIG.114 (2-B-14) GEAR CASE (DF150Z E40)

REF NO.	PART NO.	DESCRIPTION	Q'TY	REMARKS
1	55110-93J30-0EP	CASE, GEAR (BLACK)	1	
2	09263-32017	.BEARING (32X48X30)	1	
3	56145-93J00	.HOUSING, SHIFT CAM	1	
4	04221-08129	.PIN	1	
5	09265-50002	.BEARING (50X90X21.75)	1	
6	09100-12052	BOLT (12X70)	1	
7	09116-10150	BOLT (10X55)	6	
8	09160-12066	WASHER (12.5X22X2.5)	1	
9	17566-87D11	GROMMET, GEAR CASE	1	
10	09202-08006	PIN (8X12)	2	
11	55125-98J00-0EP	TAB, TRIM (BLACK)	1	
12	09116-08137	BOLT (8X22)	1	
13	55128-93J10	PLUG, DRAIN	3	
14	09168-10034	GASKET (9.5X16.5X2)	3	
15	55321-93J00	ZINC, PROTECTION	2	
16	09116-06236	BOLT (6X16)	2	
17	55332-87D11	RUBBER, EXHAUST SEAL	1	
18	55333-87D10	PLATE, EXHAUST SEAL	1	
19	55127-87D00	UNION, SPEEDOMETER HOSE	1	
20	09355-40805-00B	HOSE (4X8X2000)	1	L:2000->1700
21	09362-09008	UNION	1	
22	09407-10404	CLAMP (L:100)	2	
23-1	58200-93LA0	PROPELLER (3X16X18.5)	1	OPT
23-2	58200-93LB0	PROPELLER (3X16X20)	1	OPT
23-3	58200-93LC0	PROPELLER (3X16X21.5)	1	OPT
23-4	58200-93LD0	PROPELLER (3X16X23)	1	OPT
23-5	58200-93LE0	PROPELLER (3X16X17)	1	OPT
23-6	58200-93LF0	PROPELLER (3X16X24.5)	1	OPT
23-7	58200-93LG0	PROPELLER (3X16X26)	1	OPT
23-8	58300-93JA0	PROPELLER (4X15.25X20)	1	OPT
23-9	58300-93JB0	PROPELLER (4X15.25X22)	1	OPT
23-10	58300-93JC0	PROPELLER (4X15.25X24)	1	OPT
23-11	58300-93JD0	PROPELLER (4X15.25X26)	1	OPT
24	58105-93J10	.BUSH SET, PROPELLER	1	OPT

**FIG.114**



**FIG.114 (2-B-15) GEAR CASE (DF150Z E40)**

REF NO.	PART NO.	DESCRIPTION	Q'TY	REMARKS
25-1	58200-96JB0	PROPELLER (3X15.25X19)	1	
25-2	58200-96JC0	PROPELLER (3X15X21)	1	
25-3	58200-96JD0	PROPELLER (3X14.75X23)	1	
25-4	58200-96JA0	PROPELLER (3X15.5X17)	1	OPT
25-5	58200-96JE0	PROPELLER (3X14.5X25)	1	OPT
25-6	58200-96JF0	PROPELLER (3X14.5X27)	1	OPT
26	58105-93J00	.BUSH SET, PROPELLER	1	
27	57632-93L00	STOPPER, PROPELLER BUSH	1	
28	57633-87D30	SPACER, PROPELLER NUT	1	
29	09141-18005	NUT	1	
30	09160-18028	WASHER (18.5X31X1)	1	
31	09204-03003	PIN	1	
32	57630-92E00	KIT, PROPELLER NUT	1	OPT
33	25700-93J00	KIT, GEAR CASE SEALING	1	OPT NOT ILLUSTRATED

FIG.115

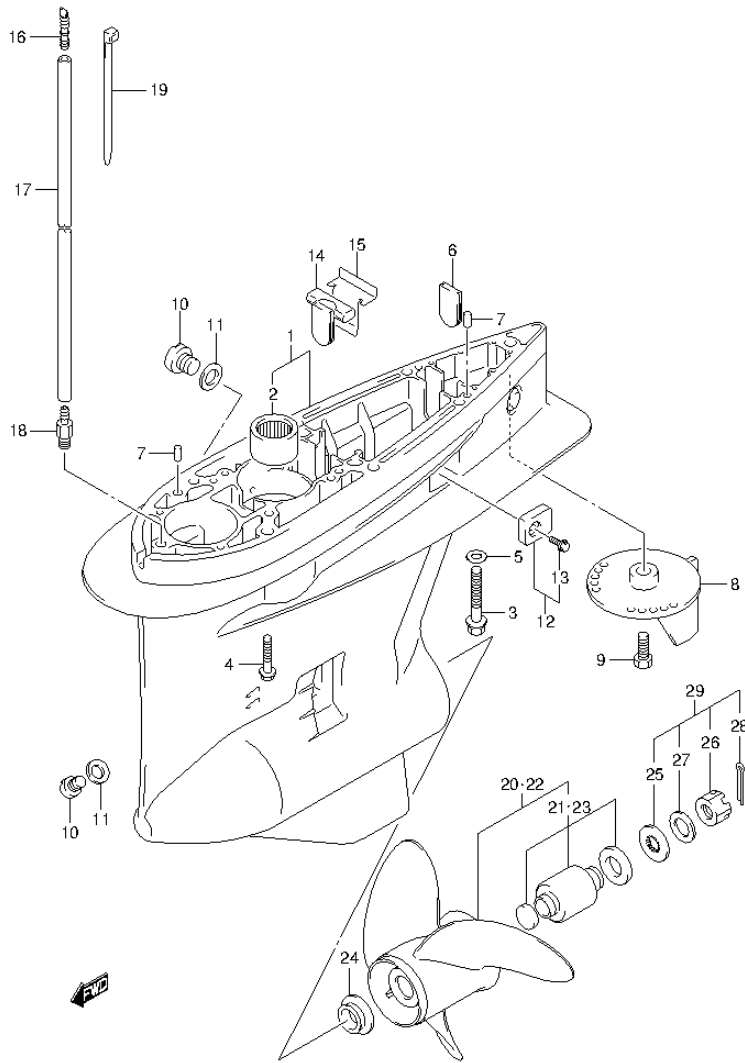
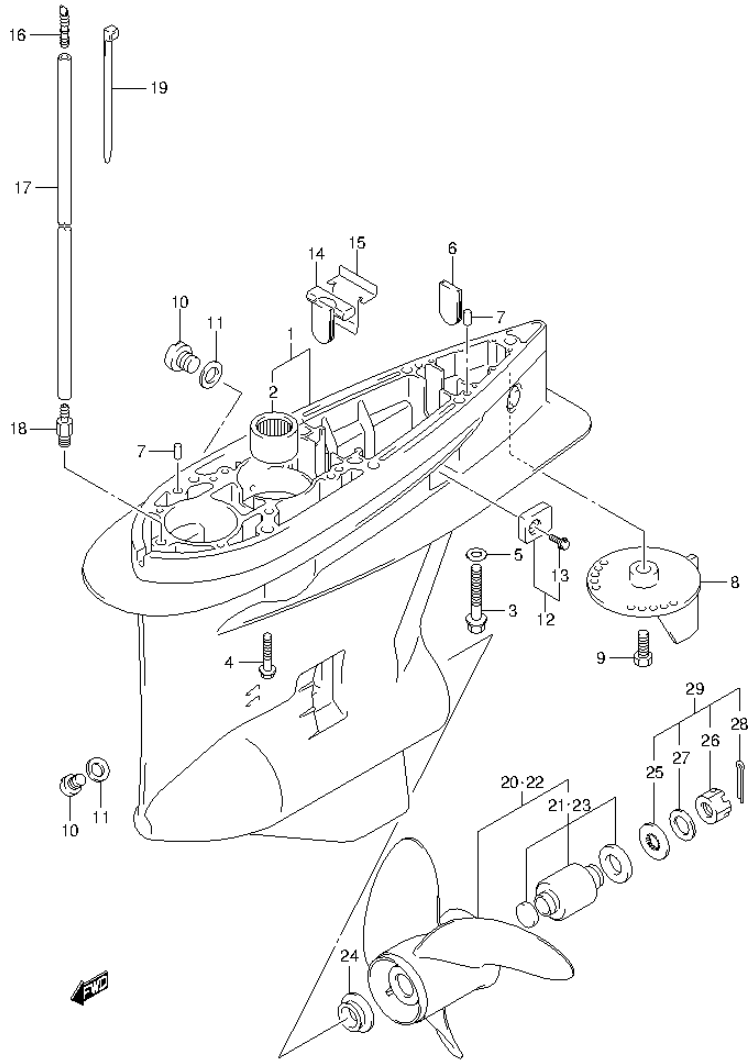


FIG.115 (2-C-2) GEAR CASE (DF175T E1)

REF NO.	PART NO.	DESCRIPTION	Q'TY	REMARKS
1-1	55110-93J20-0EP	CASE, GEAR (BLACK)	1	
1-2	55110-93J20-Y5S	CASE, GEAR (WHITE)	1	
2	09263-32017	.BEARING (32X48X30)	1	
3	09100-12052	BOLT (12X70)	1	
4	09116-10150	BOLT (10X55)	6	
5	09160-12066	WASHER (12.5X22X2.5)	1	
6	17566-87D11	GROMMET, GEAR CASE	1	
7	09202-08006	PIN (8X12)	2	
8-1	55125-98J00-0EP	TAB, TRIM (BLACK)	1	
8-2	55125-98J00-Y5S	TAB, TRIM (WHITE)	1	
9	09116-08137	BOLT (8X22)	1	
10	55128-93J10	PLUG, DRAIN	3	
11	09168-10034	GASKET (9.5X16.5X2)	3	
12	55321-93J00	ZINC, PROTECTION	2	
13	09116-06236	BOLT (6X16)	2	
14	55332-87D11	RUBBER, EXHAUST SEAL	1	
15	55333-87D10	PLATE, EXHAUST SEAL	1	
16	55127-87D00	UNION, SPEEDOMETER HOSE	1	
17	09355-40805-00B	HOSE (4X8X2000)	1	L:2000->1700
18	09362-09008	UNION	1	
19	09407-10404	CLAMP (L:100)	2	
20-1	58200-93L00	PROPELLER (3X16X17)	1	OPT
20-2	58200-93L10	PROPELLER (3X16X18.5)	1	OPT
20-3	58200-93L20	PROPELLER (3X16X20)	1	OPT
20-4	58200-93L30	PROPELLER (3X16X21.5)	1	OPT
20-5	58200-93L40	PROPELLER (3X16X23)	1	OPT
20-6	58200-93L50	PROPELLER (3X16X24.5)	1	OPT
20-7	58200-93L60	PROPELLER (3X16X26)	1	OPT
20-8	58200-93L70	PROPELLER (3X16X27.5)	1	OPT
20-9	58200-93L80	PROPELLER (3X16X15)	1	OPT
20-10	58300-93J00	PROPELLER (4X15.25X18)	1	OPT
20-11	58300-93J10	PROPELLER (4X15.25X20)	1	OPT
20-12	58300-93J20	PROPELLER (4X15.25X22)	1	OPT
20-13	58300-93J30	PROPELLER (4X15.25X24)	1	OPT
20-14	58300-93J40	PROPELLER (4X15.25X26)	1	OPT
21	58105-93J10	.BUSH SET, PROPELLER	1	OPT

**FIG.115**



**FIG.115 (2-C-3) GEAR CASE (DF175T E1)**

REF NO.	PART NO.	DESCRIPTION	Q'TY	REMARKS
22-1	58200-96J00	PROPELLER (3X15.5X17)	1	
22-2	58200-96J10	PROPELLER (3X15.25X19)	1	
22-3	58200-96J20	PROPELLER (3X15X21)	1	
22-4	58200-96J30	PROPELLER (3X14.75X23)	1	
22-5	58200-96J40	PROPELLER (3X14.5X25)	1	OPT
22-6	58200-96J50	PROPELLER (3X14.5X27)	1	OPT
23	58105-93J00	.BUSH SET, PROPELLER	1	
24	57632-93L00	STOPPER, PROPELLER BUSH	1	
25	57633-87D30	SPACER, PROPELLER NUT	1	
26	09141-18005	NUT	1	
27	09160-18028	WASHER (18.5X31X1)	1	
28	09204-03003	PIN	1	
29	57630-92E00	KIT, PROPELLER NUT	1	OPT
30	25700-93J00	KIT, GEAR CASE SEALING	1	OPT NOT ILLUSTRATED



FIG.116

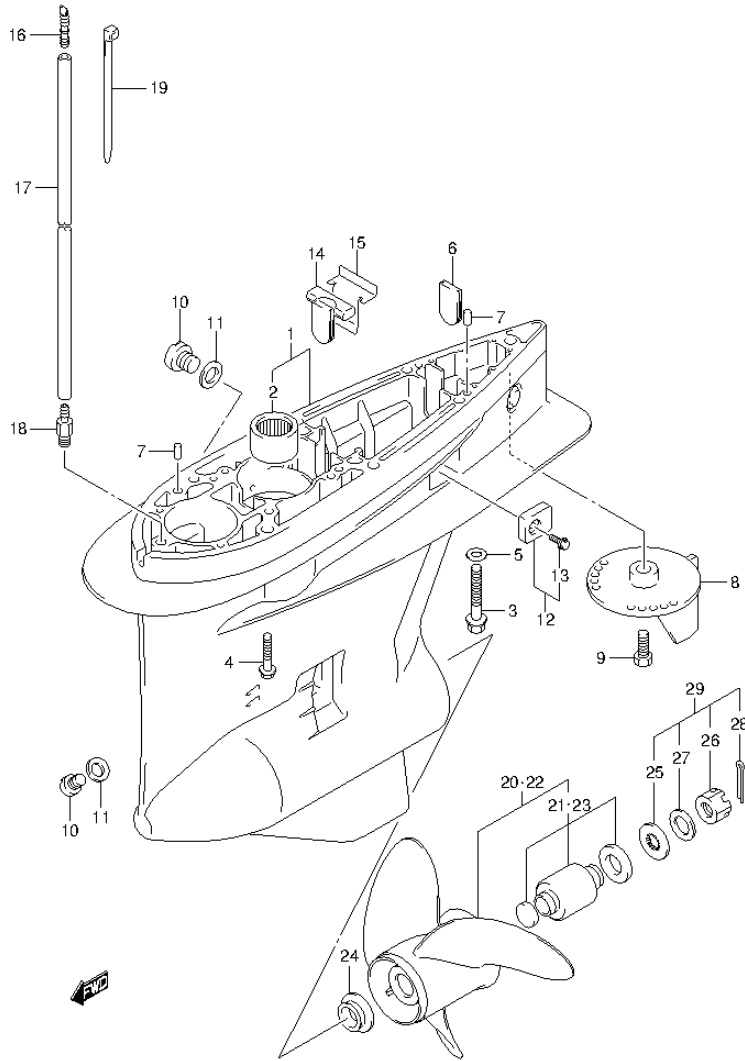


FIG.116 (2-C-4) GEAR CASE (DF175T E40)

REF NO.	PART NO.	DESCRIPTION	Q'TY	REMARKS
1	55110-93J20-0EP	CASE, GEAR (BLACK)	1	
2	09263-32017	.BEARING (32X48X30)	1	
3	09100-12052	BOLT (12X70)	1	
4	09116-10150	BOLT (10X55)	6	
5	09160-12066	WASHER (12.5X22X2.5)	1	
6	17566-87D11	GROMMET, GEAR CASE	1	
7	09202-08006	PIN (8X12)	2	
8	55125-98J00-0EP	TAB, TRIM (BLACK)	1	
9	09116-08137	BOLT (8X22)	1	
10	55128-93J10	PLUG, DRAIN	3	
11	09168-10034	GASKET (9.5X16.5X2)	3	
12	55321-93J00	ZINC, PROTECTION	2	
13	09116-06236	BOLT (6X16)	2	
14	55332-87D11	RUBBER, EXHAUST SEAL	1	
15	55333-87D10	PLATE, EXHAUST SEAL	1	
16	55127-87D00	UNION, SPEEDOMETER HOSE	1	
17	09355-40805-00B	HOSE (4X8X2000)	1	L:2000->1700
18	09362-09008	UNION	1	
19	09407-10404	CLAMP (L:100)	2	
20-1	58200-93L00	PROPELLER (3X16X17)	1	OPT
20-2	58200-93L10	PROPELLER (3X16X18.5)	1	OPT
20-3	58200-93L20	PROPELLER (3X16X20)	1	OPT
20-4	58200-93L30	PROPELLER (3X16X21.5)	1	OPT
20-5	58200-93L40	PROPELLER (3X16X23)	1	OPT
20-6	58200-93L50	PROPELLER (3X16X24.5)	1	OPT
20-7	58200-93L60	PROPELLER (3X16X26)	1	OPT
20-8	58200-93L70	PROPELLER (3X16X27.5)	1	OPT
20-9	58200-93L80	PROPELLER (3X16X15)	1	OPT
20-10	58300-93J00	PROPELLER (4X15.25X18)	1	OPT
20-11	58300-93J10	PROPELLER (4X15.25X20)	1	OPT
20-12	58300-93J20	PROPELLER (4X15.25X22)	1	OPT
20-13	58300-93J30	PROPELLER (4X15.25X24)	1	OPT
20-14	58300-93J40	PROPELLER (4X15.25X26)	1	OPT
21	58105-93J10	.BUSH SET, PROPELLER	1	OPT

FIG.116

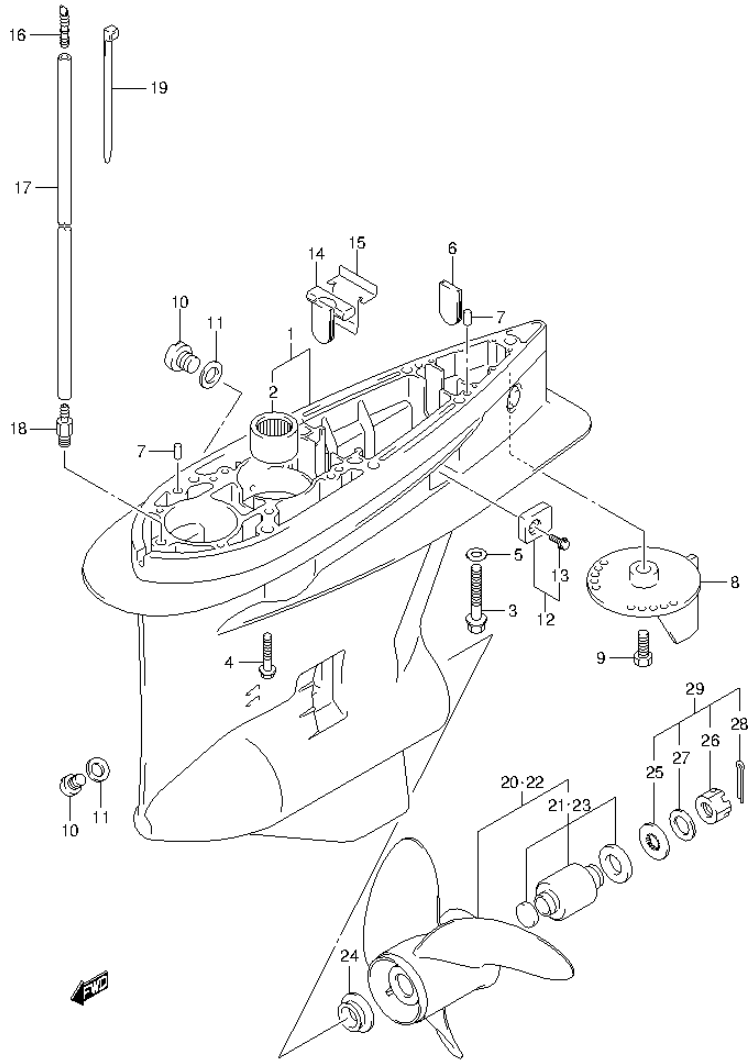


FIG.116 (2-C-5) GEAR CASE (DF175T E40)

REF NO.	PART NO.	DESCRIPTION	Q'TY	REMARKS
22-1	58200-96J00	PROPELLER (3X15.5X17)	1	
22-2	58200-96J10	PROPELLER (3X15.25X19)	1	
22-3	58200-96J20	PROPELLER (3X15X21)	1	
22-4	58200-96J30	PROPELLER (3X14.75X23)	1	
22-5	58200-96J40	PROPELLER (3X14.5X25)	1	OPT
22-6	58200-96J50	PROPELLER (3X14.5X27)	1	OPT
23	58105-93J00	.BUSH SET, PROPELLER	1	
24	57632-93L00	STOPPER, PROPELLER BUSH	1	
25	57633-87D30	SPACER, PROPELLER NUT	1	
26	09141-18005	NUT	1	
27	09160-18028	WASHER (18.5X31X1)	1	
28	09204-03003	PIN	1	
29	57630-92E00	KIT, PROPELLER NUT	1	OPT
30	25700-93J00	KIT, GEAR CASE SEALING	1	OPT NOT ILLUSTRATED

FIG.117

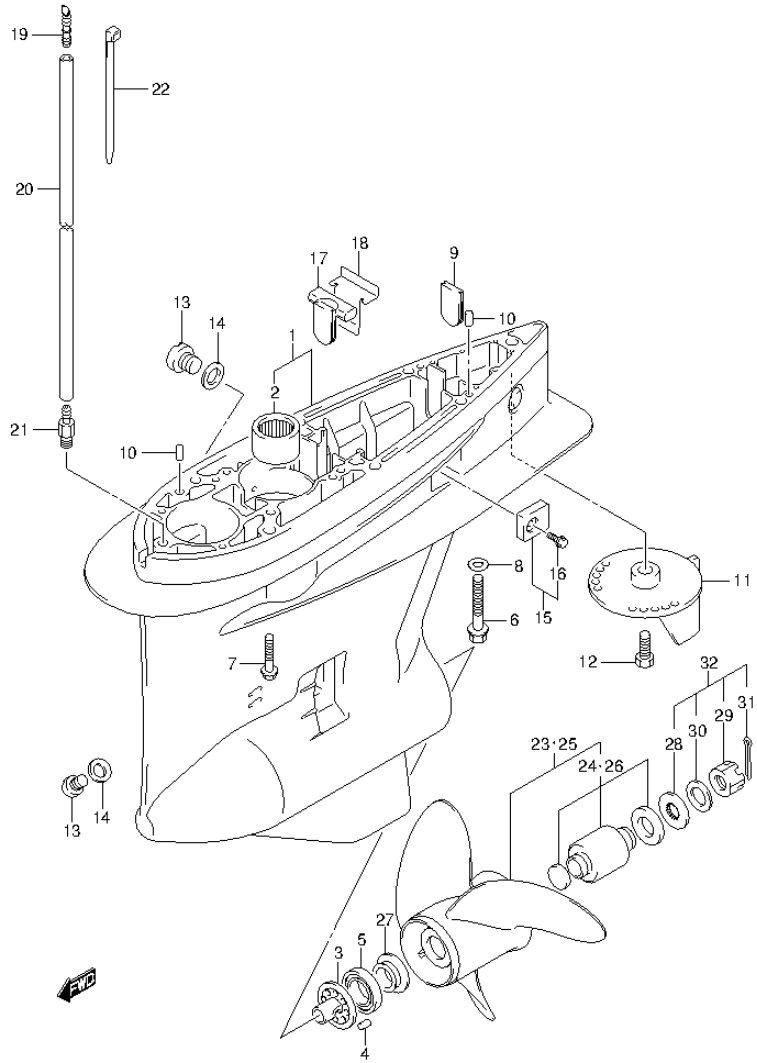
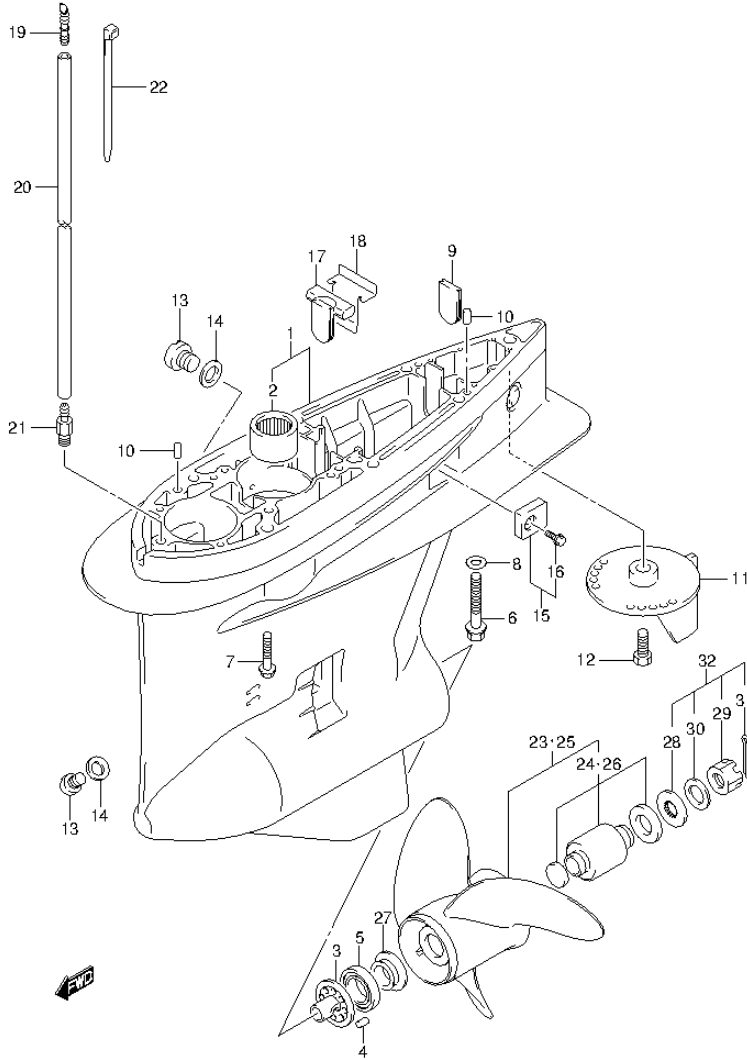


FIG.117 (2-C-6) GEAR CASE (DF175Z E1)

REF NO.	PART NO.	DESCRIPTION	Q'TY	REMARKS
1-1	55110-93J30-0EP	CASE, GEAR (BLACK)	1	
1-2	55110-93J30-Y5S	CASE, GEAR (WHITE)	1	
2	09263-32017	.BEARING (32X48X30)	1	
3	56145-93J00	.HOUSING, SHIFT CAM	1	
4	04221-08129	.PIN	1	
5	09265-50002	.BEARING (50X90X21.75)	1	
6	09100-12052	BOLT (12X70)	1	
7	09116-10150	BOLT (10X55)	6	
8	09160-12066	WASHER (12.5X22X2.5)	1	
9	17566-87D11	GROMMET, GEAR CASE	1	
10	09202-08006	PIN (8X12)	2	
11-1	55125-98J00-0EP	TAB, TRIM (BLACK)	1	
11-2	55125-98J00-Y5S	TAB, TRIM (WHITE)	1	
12	09116-08137	BOLT (8X22)	1	
13	55128-93J10	PLUG, DRAIN	3	
14	09168-10034	GASKET (9.5X16.5X2)	3	
15	55321-93J00	ZINC, PROTECTION	2	
16	09116-06236	BOLT (6X16)	2	
17	55332-87D11	RUBBER, EXHAUST SEAL	1	
18	55333-87D10	PLATE, EXHAUST SEAL	1	
19	55127-87D00	UNION, SPEEDOMETER HOSE	1	
20	09355-40805-00B	HOSE (4X8X2000)	1	L:2000->1700
21	09362-09008	UNION	1	
22	09407-10404	CLAMP (L:100)	2	
23-1	58200-93LA0	PROPELLER (3X16X18.5)	1	OPT
23-2	58200-93LB0	PROPELLER (3X16X20)	1	OPT
23-3	58200-93LC0	PROPELLER (3X16X21.5)	1	OPT
23-4	58200-93LD0	PROPELLER (3X16X23)	1	OPT
23-5	58200-93LE0	PROPELLER (3X16X17)	1	OPT
23-6	58200-93LF0	PROPELLER (3X16X24.5)	1	OPT
23-7	58200-93LG0	PROPELLER (3X16X26)	1	OPT
23-8	58300-93JA0	PROPELLER (4X15.25X20)	1	OPT
23-9	58300-93JB0	PROPELLER (4X15.25X22)	1	OPT
23-10	58300-93JC0	PROPELLER (4X15.25X24)	1	OPT
23-11	58300-93JD0	PROPELLER (4X15.25X26)	1	OPT
24	58105-93J10	.BUSH SET, PROPELLER	1	OPT

**FIG.117**



**FIG.117 (2-C-7) GEAR CASE (DF175Z E1)**

REF NO.	PART NO.	DESCRIPTION	Q'TY	REMARKS
25-1	58200-96JB0	PROPELLER (3X15.25X19)	1	
25-2	58200-96JC0	PROPELLER (3X15X21)	1	
25-3	58200-96JD0	PROPELLER (3X14.75X23)	1	
25-4	58200-96JA0	PROPELLER (3X15.5X17)	1	OPT
25-5	58200-96JE0	PROPELLER (3X14.5X25)	1	OPT
25-6	58200-96JF0	PROPELLER (3X14.5X27)	1	OPT
26	58105-93J00	.BUSH SET, PROPELLER	1	
27	57632-93L00	STOPPER, PROPELLER BUSH	1	
28	57633-87D30	SPACER, PROPELLER NUT	1	
29	09141-18005	NUT	1	
30	09160-18028	WASHER (18.5X31X1)	1	
31	09204-03003	PIN	1	
32	57630-92E00	KIT, PROPELLER NUT	1	OPT
33	25700-93J00	KIT, GEAR CASE SEALING	1	OPT

NOT ILLUSTRATED

FIG.118

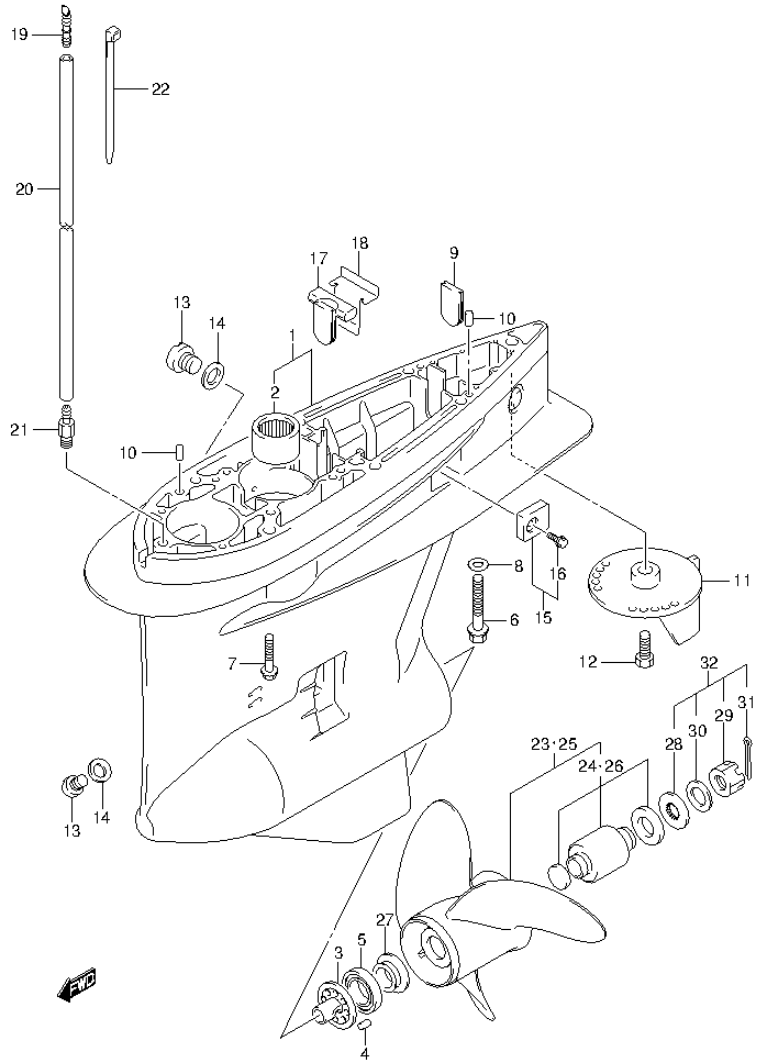
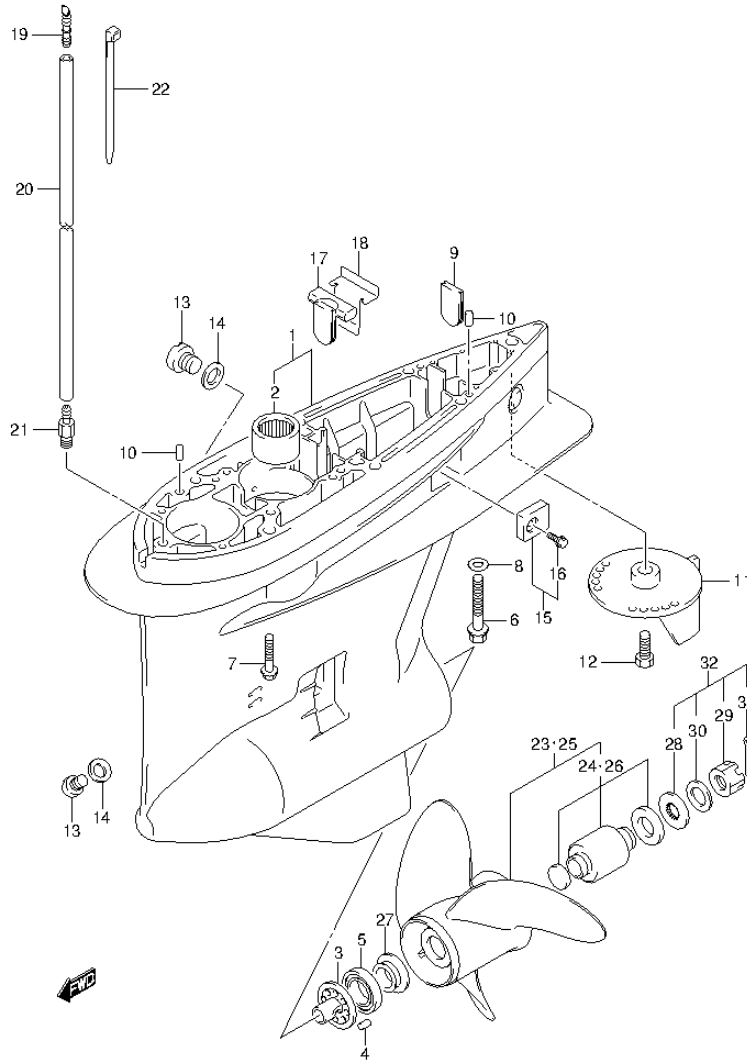


FIG.118 (2-C-8) GEAR CASE (DF175Z E40)

REF NO.	PART NO.	DESCRIPTION	Q'TY	REMARKS
1	55110-93J30-0EP	CASE, GEAR (BLACK)	1	
2	09263-32017	.BEARING (32X48X30)	1	
3	56145-93J00	.HOUSING, SHIFT CAM	1	
4	04221-08129	.PIN	1	
5	09265-50002	.BEARING (50X90X21.75)	1	
6	09100-12052	BOLT (12X70)	1	
7	09116-10150	BOLT (10X55)	6	
8	09160-12066	WASHER (12.5X22X2.5)	1	
9	17566-87D11	GROMMET, GEAR CASE	1	
10	09202-08006	PIN (8X12)	2	
11	55125-98J00-0EP	TAB, TRIM (BLACK)	1	
12	09116-08137	BOLT (8X22)	1	
13	55128-93J10	PLUG, DRAIN	3	
14	09168-10034	GASKET (9.5X16.5X2)	3	
15	55321-93J00	ZINC, PROTECTION	2	
16	09116-06236	BOLT (6X16)	2	
17	55332-87D11	RUBBER, EXHAUST SEAL	1	
18	55333-87D10	PLATE, EXHAUST SEAL	1	
19	55127-87D00	UNION, SPEEDOMETER HOSE	1	
20	09355-40805-00B	HOSE (4X8X2000)	1	L:2000->1700
21	09362-09008	UNION	1	
22	09407-10404	CLAMP (L:100)	2	
23-1	58200-93LA0	PROPELLER (3X16X18.5)	1	OPT
23-2	58200-93LB0	PROPELLER (3X16X20)	1	OPT
23-3	58200-93LC0	PROPELLER (3X16X21.5)	1	OPT
23-4	58200-93LD0	PROPELLER (3X16X23)	1	OPT
23-5	58200-93LE0	PROPELLER (3X16X17)	1	OPT
23-6	58200-93LF0	PROPELLER (3X16X24.5)	1	OPT
23-7	58200-93LG0	PROPELLER (3X16X26)	1	OPT
23-8	58300-93JA0	PROPELLER (4X15.25X20)	1	OPT
23-9	58300-93JB0	PROPELLER (4X15.25X22)	1	OPT
23-10	58300-93JC0	PROPELLER (4X15.25X24)	1	OPT
23-11	58300-93JD0	PROPELLER (4X15.25X26)	1	OPT
24	58105-93J10	.BUSH SET, PROPELLER	1	OPT

**FIG.118**



**FIG.118 (2-C-9) GEAR CASE (DF175Z E40)**

REF NO.	PART NO.	DESCRIPTION	Q'TY	REMARKS
25-1	58200-96JB0	PROPELLER (3X15.25X19)	1	
25-2	58200-96JC0	PROPELLER (3X15X21)	1	
25-3	58200-96JD0	PROPELLER (3X14.75X23)	1	
25-4	58200-96JA0	PROPELLER (3X15.5X17)	1	OPT
25-5	58200-96JE0	PROPELLER (3X14.5X25)	1	OPT
25-6	58200-96JF0	PROPELLER (3X14.5X27)	1	OPT
26	58105-93J00	.BUSH SET, PROPELLER	1	
27	57632-93L00	STOPPER, PROPELLER BUSH	1	
28	57633-87D30	SPACER, PROPELLER NUT	1	
29	09141-18005	NUT	1	
30	09160-18028	WASHER (18.5X31X1)	1	
31	09204-03003	PIN	1	
32	57630-92E00	KIT, PROPELLER NUT	1	OPT
33	25700-93J00	KIT, GEAR CASE SEALING	1	OPT NOT ILLUSTRATED

FIG.119

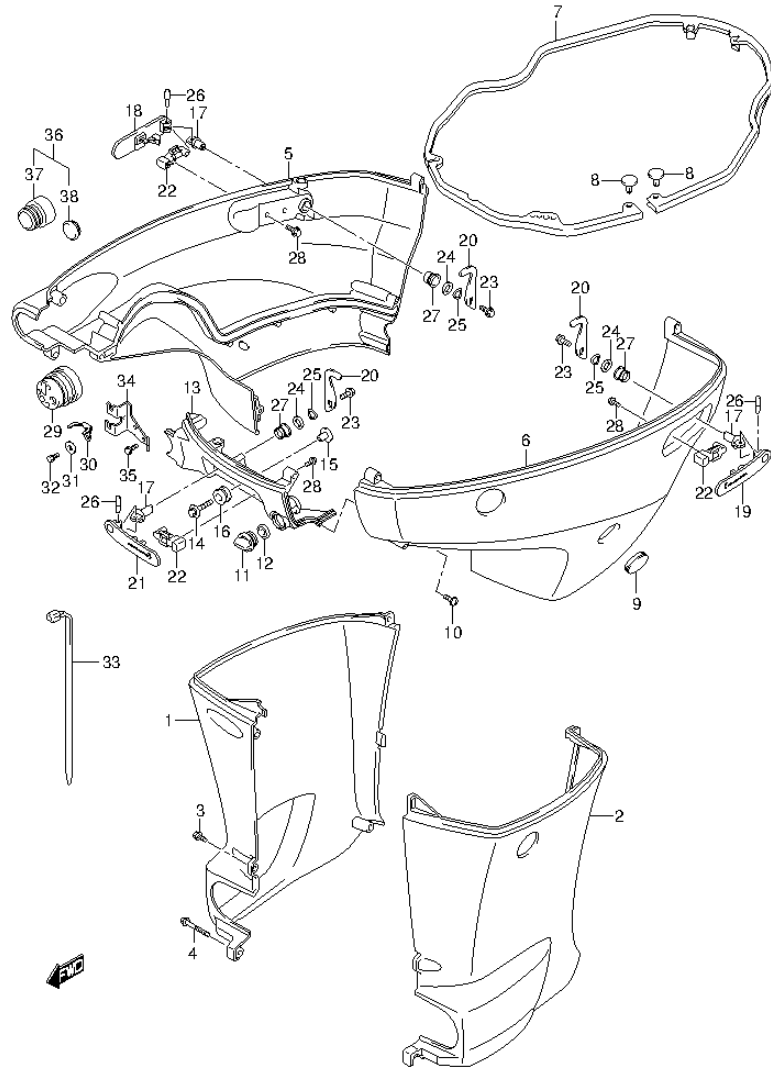


FIG.119 (2-C-10) SIDE COVER (DF150T E1)

REF NO.	PART NO.	DESCRIPTION	Q'TY	REMARKS
1-1	61131-96J02-0EP	COVER, OIL PAN STBD (L) (BLACK)	1	W/TRANSOM(L)
1-2	61131-96J02-Y5S	COVER, OIL PAN STBD (L) (WHITE)	1	W/TRANSOM(L)
1-3	61131-96J12-0EP	COVER, OIL PAN STBD (X) (BLACK)	1	W/TRANSOM(X)
1-4	61131-96J12-Y5S	COVER, OIL PAN STBD (X) (WHITE)	1	W/TRANSOM(X)
2-1	61141-96J02-0EP	COVER, OIL PAN PORT (L) (BLACK)	1	W/TRANSOM(L)
2-2	61141-96J02-Y5S	COVER, OIL PAN PORT (L) (WHITE)	1	W/TRANSOM(L)
2-3	61141-96J12-0EP	COVER, OIL PAN PORT (X) (BLACK)	1	W/TRANSOM(X)
2-4	61141-96J12-Y5S	COVER, OIL PAN PORT (X) (WHITE)	1	W/TRANSOM(X)
3-1	09139-06135	SCREW (6X17)	3	W/TRANSOM(L)
3-2	09139-06135	SCREW (6X17)	5	W/TRANSOM(X)
4	09139-06147	BOLT (6X114)	1	W/TRANSOM(L)
5-1	61811-96J10-0EP	COVER, SIDE STBD (BLACK)	1	
5-2	61811-96J10-Y5S	COVER, SIDE STBD (WHITE)	1	
6-1	61821-96J10-0EP	COVER, SIDE PORT (BLACK)	1	
6-2	61821-96J10-Y5S	COVER, SIDE PORT (WHITE)	1	
7	61134-96J00	SEAL, SIDE COVER	1	
8	09409-05302-5PK	CLIP (BLACK)	2	
9	61817-89J00	PLUG, SIDE COVER	1	
10	09136-06148	SCREW (6X35)	8	
11	17913-93J00	PLUG, WATER	1	
12	17914-93J00	GASKET, WATER PLUG	1	
13-1	61831-96J10-0EP	PANEL, FRONT (BLACK)	1	
13-2	61831-96J10-Y5S	PANEL, FRONT (WHITE)	1	
14	09118-08127	BOLT (8X40)	2	
15	09169-08039	WASHER	2	
16	09320-11013	CUSHION	2	
17	61632-93J00	SHAFT, ENGINE COVER HOOK	3	
18	61633-96J02	LEVER, HOOK RR STBD	1	
19	61634-96J02	LEVER, HOOK RR PORT	1	
20	61641-93J10	HOOK, ENGINE COVER	3	
21	61645-96J02	LEVER, HOOK FR	1	
22	61673-96J02	LATCH, HOOK LEVER	3	
23	09116-06127	BOLT (6X12)	3	
24	09100-13014	WASHER (13.2X25X1)	3	

FIG.119

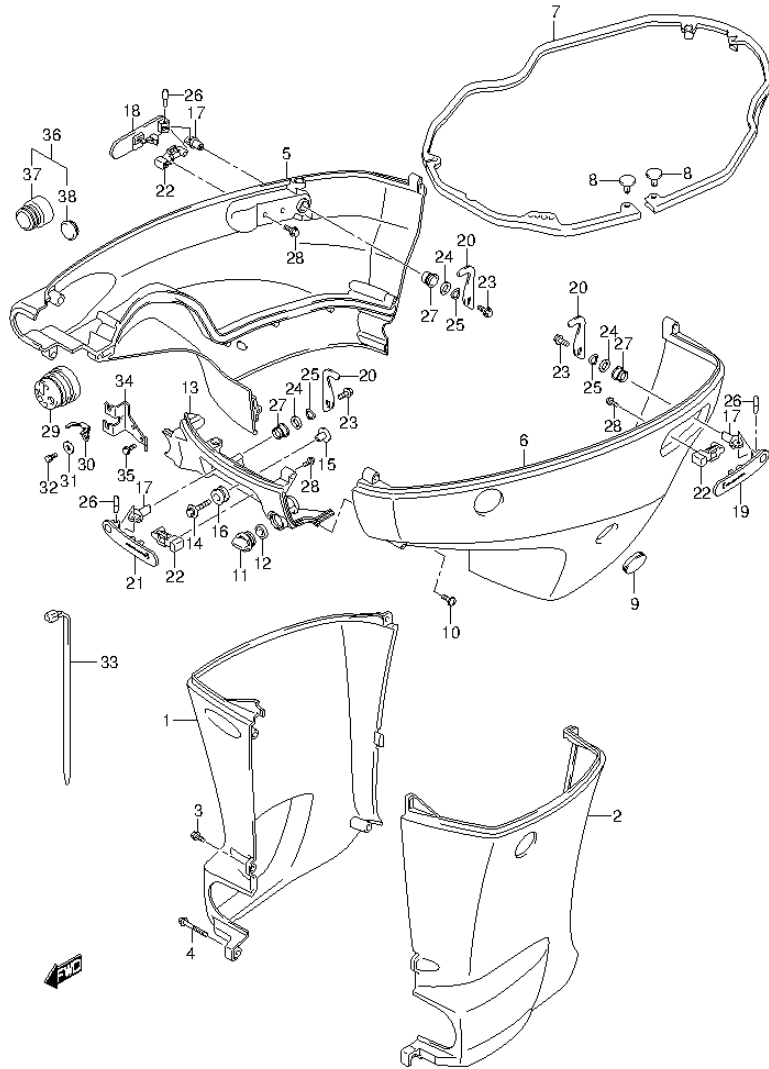


FIG.119 (2-C-11) SIDE COVER (DF150T E1)

REF NO.	PART NO.	DESCRIPTION	Q'TY	REMARKS
25	09164-14008	WASHER	3	
26	09202-04022	PIN	3	
27	09306-13007	BUSH	3	
28	01550-05107	SCREW	6	
29	61124-96J01	GROMMET, REMOCON CABLE	1	
30	67343-96J00	STOPPER, REMOCON CABLE	1	
31	09160-06047	WASHER (6.5X20X2)	1	
32	01570-06127	BOLT	1	
33	09407-25402	CLAMP (L:248)	1	
34	67341-96J00	HOLDER, REMOCON CABLE	1	
35	01550-06167	BOLT	2	
36	67300-93J00	KIT, HOSE ADAPTER	1	OPT
37	67361-93J00	ADAPTER, HOSE	1	OPT
38	09250-21003	.PLUG (OD:28)	1	OPT



FIG.120

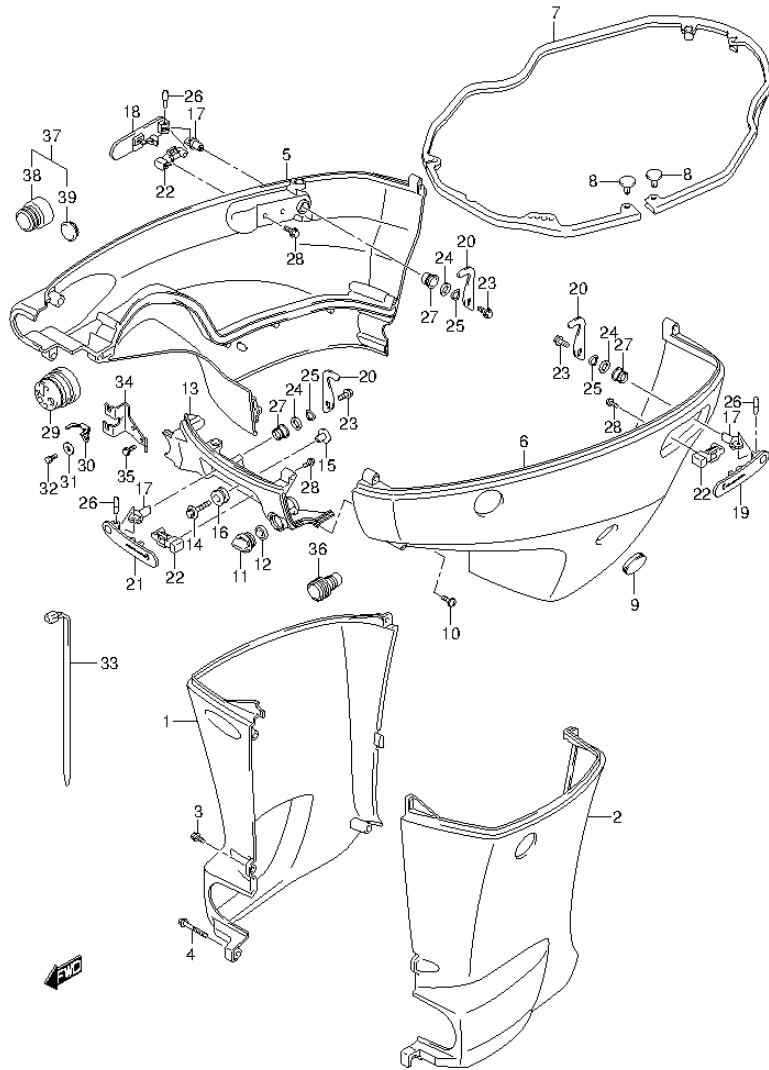


FIG.120 (2-C-12) SIDE COVER (DF150T E40)

REF NO.	PART NO.	DESCRIPTION	Q'TY	REMARKS
1-1	61131-96J02-0EP	COVER, OIL PAN STBD (L) (BLACK)	1	W/TRANSOM(L)
1-2	61131-96J12-0EP	COVER, OIL PAN STBD (X) (BLACK)	1	W/TRANSOM(X)
2-1	61141-96J02-0EP	COVER, OIL PAN PORT (L) (BLACK)	1	W/TRANSOM(L)
2-2	61141-96J12-0EP	COVER, OIL PAN PORT (X) (BLACK)	1	W/TRANSOM(X)
3-1	09139-06135	SCREW (6X17)	3	W/TRANSOM(L)
3-2	09139-06135	SCREW (6X17)	5	W/TRANSOM(X)
4	09139-06147	BOLT (6X114)	1	W/TRANSOM(L)
5	61811-96J10-0EP	COVER, SIDE STBD (BLACK)	1	
6	61821-96J10-0EP	COVER, SIDE PORT (BLACK)	1	
7	61134-96J00	SEAL, SIDE COVER	1	
8	09409-05302-5PK	CLIP (BLACK)	2	
9	61817-89J00	PLUG, SIDE COVER	1	
10	09136-06148	SCREW (6X35)	8	
11	17913-93J00	PLUG, WATER	1	
12	17914-93J00	GASKET, WATER PLUG	1	
13	61831-96J10-0EP	PANEL, FRONT (BLACK)	1	
14	09118-08127	BOLT (8X40)	2	
15	09169-08039	WASHER	2	
16	09320-11013	CUSHION	2	
17	61632-93J00	SHAFT, ENGINE COVER HOOK	3	
18	61633-96J02	LEVER, HOOK RR STBD	1	
19	61634-96J02	LEVER, HOOK RR PORT	1	
20	61641-93J10	HOOK, ENGINE COVER	3	
21	61645-96J02	LEVER, HOOK FR	1	
22	61673-96J02	LATCH, HOOK LEVER	3	
23	09116-06127	BOLT (6X12)	3	
24	09160-13014	WASHER (13.2X25X1)	3	

FIG.120

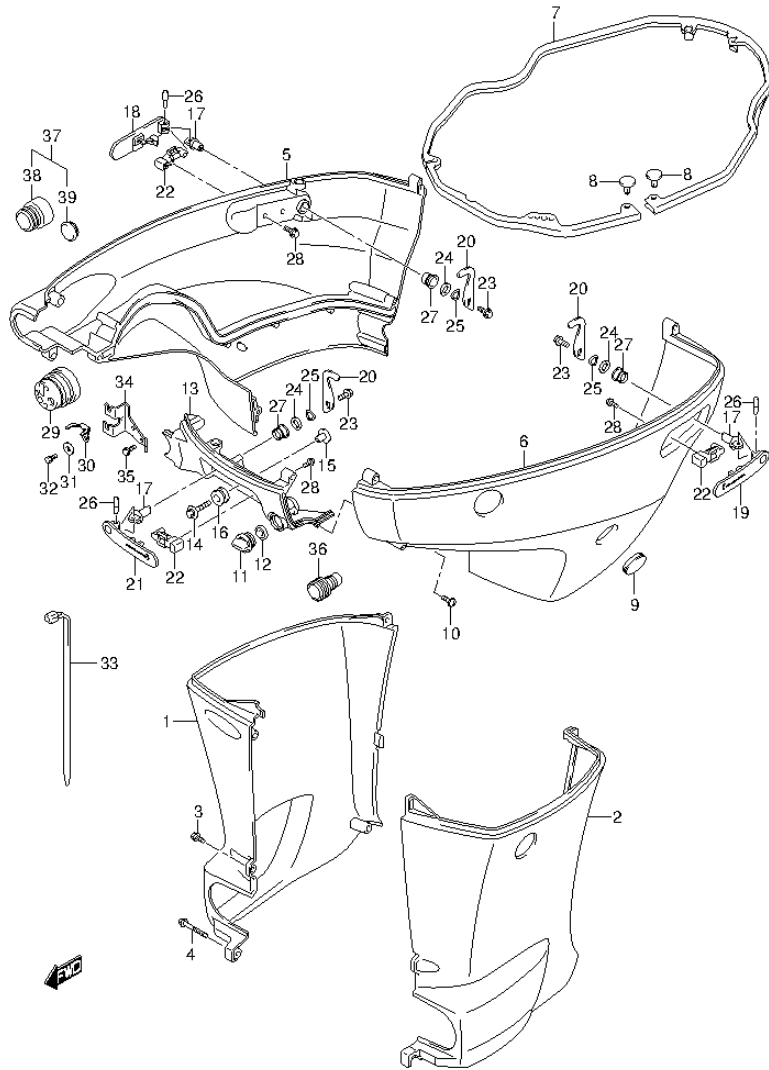


FIG.120 (2-C-13) SIDE COVER (DF150T E40)

REF NO.	PART NO.	DESCRIPTION	Q'TY	REMARKS
25	09164-14008	WASHER	3	
26	09202-04022	PIN	3	
27	09306-13007	BUSH	3	
28	01550-05107	SCREW	6	
29	61124-96J01	GROMMET, REMOCON CABLE	1	
30	67343-96J00	STOPPER, REMOCON CABLE	1	
31	09160-06047	WASHER (6.5X20X2)	1	
32	01570-06127	BOLT	1	
33	09407-25402	CLAMP (L:248)	1	
34	67341-96J00	HOLDER, REMOCON CABLE	1	
35	01550-06167	BOLT	2	
36	17917-87L00	CONNECTOR, FLUSH WATER	1	
37	67300-93J00	KIT, HOSE ADAPTER	1	OPT
38	67361-93J00	.ADAPTER, HOSE	1	OPT
39	09250-21003	.PLUG (OD:28)	1	OPT

FIG.121

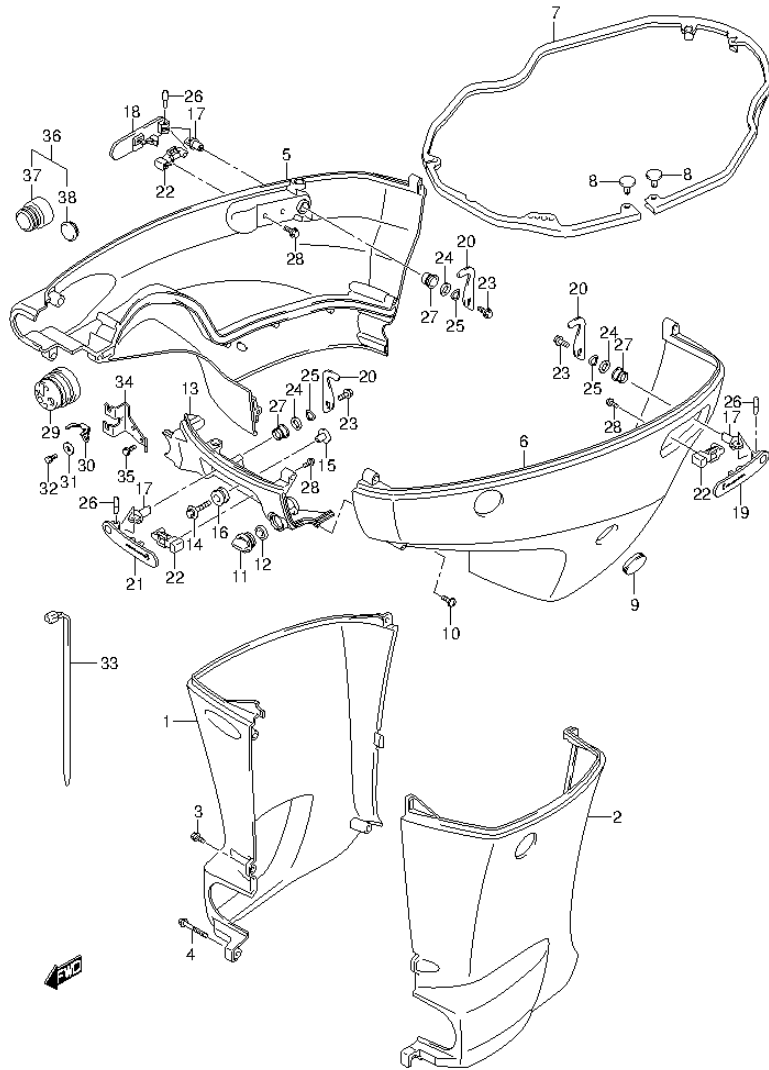


FIG.121 (2-C-14) SIDE COVER (DF150Z E1)

REF NO.	PART NO.	DESCRIPTION	Q'TY	REMARKS
1-1	61131-96J02-0EP	COVER, OIL PAN STBD (L) (BLACK)	1	W/TRANSOM(L)
1-2	61131-96J12-0EP	COVER, OIL PAN STBD (X) (BLACK)	1	W/TRANSOM(X)
1-3	61131-96J12-Y5S	COVER, OIL PAN STBD (X) (WHITE)	1	W/TRANSOM(X)
2-1	61141-96J02-0EP	COVER, OIL PAN PORT (L) (BLACK)	1	W/TRANSOM(L)
2-2	61141-96J12-0EP	COVER, OIL PAN PORT (X) (BLACK)	1	W/TRANSOM(X)
2-3	61141-96J12-Y5S	COVER, OIL PAN PORT (X) (WHITE)	1	W/TRANSOM(X)
3-1	09139-06135	SCREW (6X17)	3	W/TRANSOM(L)
3-2	09139-06135	SCREW (6X17)	5	W/TRANSOM(X)
4	09139-06147	BOLT (6X114)	1	W/TRANSOM(L)
5-1	61811-96J10-0EP	COVER, SIDE STBD (BLACK)	1	
5-2	61811-96J10-Y5S	COVER, SIDE STBD (WHITE)	1	
6-1	61821-96J10-0EP	COVER, SIDE PORT (BLACK)	1	
6-2	61821-96J10-Y5S	COVER, SIDE PORT (WHITE)	1	
7	61134-96J00	SEAL, SIDE COVER	1	
8	09409-05302-5PK	CLIP (BLACK)	2	
9	61817-89J00	PLUG, SIDE COVER	1	
10	09136-06148	SCREW (6X35)	8	
11	17913-93J00	PLUG, WATER	1	
12	17914-93J00	GASKET, WATER PLUG	1	
13-1	61831-96J10-0EP	PANEL, FRONT (BLACK)	1	
13-2	61831-96J10-Y5S	PANEL, FRONT (WHITE)	1	
14	09118-08127	BOLT (8X40)	2	
15	09169-08039	WASHER	2	
16	09320-11013	CUSHION	2	
17	61632-93J00	SHAFT, ENGINE COVER HOOK	3	
18	61633-96J02	LEVER, HOOK RR STBD	1	
19	61634-96J02	LEVER, HOOK RR PORT	1	
20	61641-93J10	HOOK, ENGINE COVER	3	
21	61645-96J02	LEVER, HOOK FR	1	
22	61673-96J02	LATCH, HOOK LEVER	3	
23	09116-06127	BOLT (6X12)	3	
24	09160-13014	WASHER (13.2X25X1)	3	

FIG.121

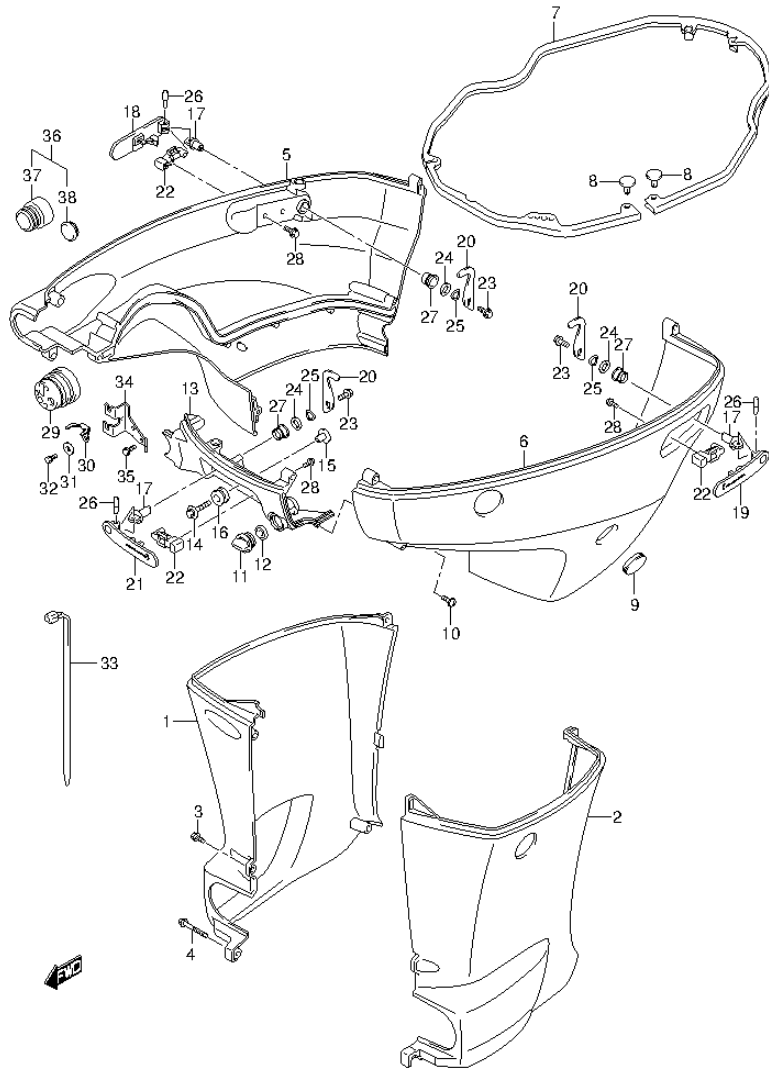


FIG.121 (2-C-15) SIDE COVER (DF150Z E1)

REF NO.	PART NO.	DESCRIPTION	Q'TY	REMARKS
25	09164-14008	WASHER	3	
26	09202-04022	PIN	3	
27	09306-13007	BUSH	3	
28	01550-05107	SCREW	6	
29	61124-96J01	GROMMET, REMOCON CABLE	1	
30	67343-96J00	STOPPER, REMOCON CABLE	1	
31	09160-06047	WASHER (6.5X20X2)	1	
32	01570-06127	BOLT	1	
33	09407-25402	CLAMP (L:248)	1	
34	67341-96J00	HOLDER, REMOCON CABLE	1	
35	01550-06167	BOLT	2	
36	67300-93J00	KIT, HOSE ADAPTER	1	OPT
37	67361-93J00	ADAPTER, HOSE	1	OPT
38	09250-21003	.PLUG (OD:28)	1	OPT

FIG.122

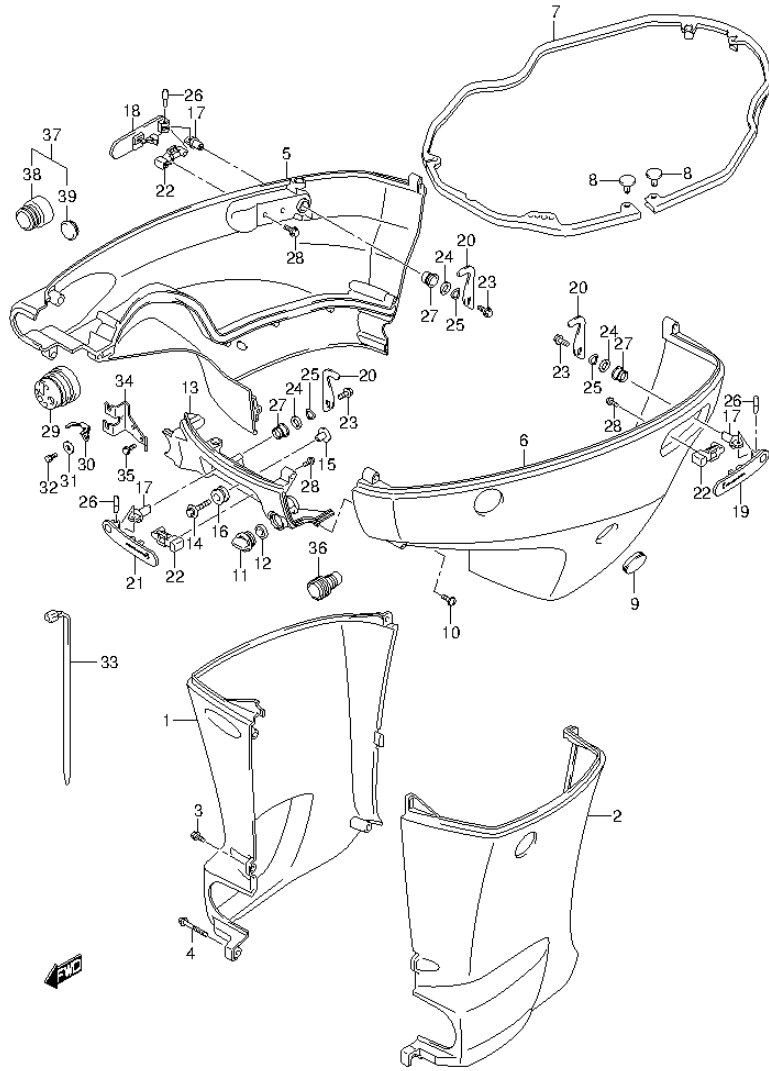


FIG.122 (2-D-2) SIDE COVER (DF150Z E40)

REF NO.	PART NO.	DESCRIPTION	Q'TY	REMARKS
1-1	61131-96J02-0EP	COVER, OIL PAN STBD (L) (BLACK)	1	W/TRANSOM(L)
1-2	61131-96J12-0EP	COVER, OIL PAN STBD (X) (BLACK)	1	W/TRANSOM(X)
2-1	61141-96J02-0EP	COVER, OIL PAN PORT (L) (BLACK)	1	W/TRANSOM(L)
2-2	61141-96J12-0EP	COVER, OIL PAN PORT (X) (BLACK)	1	W/TRANSOM(X)
3-1	09139-06135	SCREW (6X17)	3	W/TRANSOM(L)
3-2	09139-06135	SCREW (6X17)	5	W/TRANSOM(X)
4	09139-06147	BOLT (6X114)	1	W/TRANSOM(L)
5	61811-96J10-0EP	COVER, SIDE STBD (BLACK)	1	
6	61821-96J10-0EP	COVER, SIDE PORT (BLACK)	1	
7	61134-96J00	SEAL, SIDE COVER	1	
8	09409-05302-5PK	CLIP (BLACK)	2	
9	61817-89J00	PLUG, SIDE COVER	1	
10	09136-06148	SCREW (6X35)	8	
11	17913-93J00	PLUG, WATER	1	
12	17914-93J00	GASKET, WATER PLUG	1	
13	61831-96J10-0EP	PANEL, FRONT (BLACK)	1	
14	09118-08127	BOLT (8X40)	2	
15	09169-08039	WASHER	2	
16	09320-11013	CUSHION	2	
17	61632-93J00	SHAFT, ENGINE COVER HOOK	3	
18	61633-96J02	LEVER, HOOK RR STBD	1	
19	61634-96J02	LEVER, HOOK RR PORT	1	
20	61641-93J10	HOOK, ENGINE COVER	3	
21	61645-96J02	LEVER, HOOK FR	1	
22	61673-96J02	LATCH, HOOK LEVER	3	
23	09116-06127	BOLT (6X12)	3	
24	09160-13014	WASHER (13.2X25X1)	3	

FIG.122

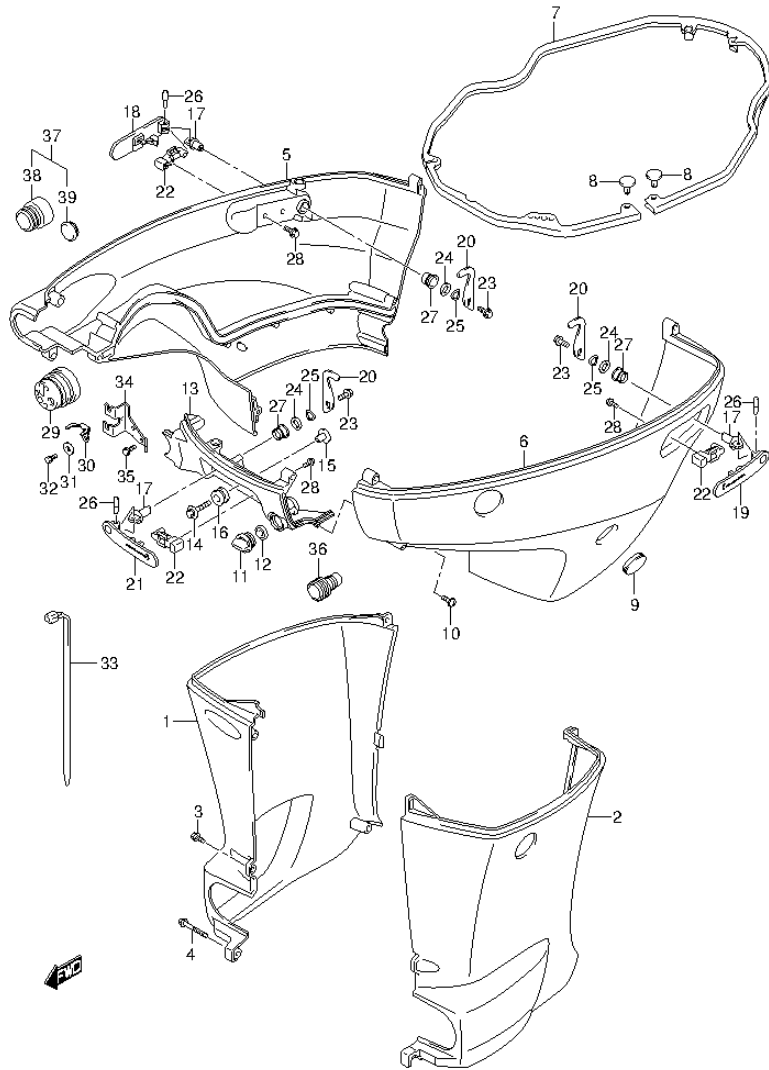
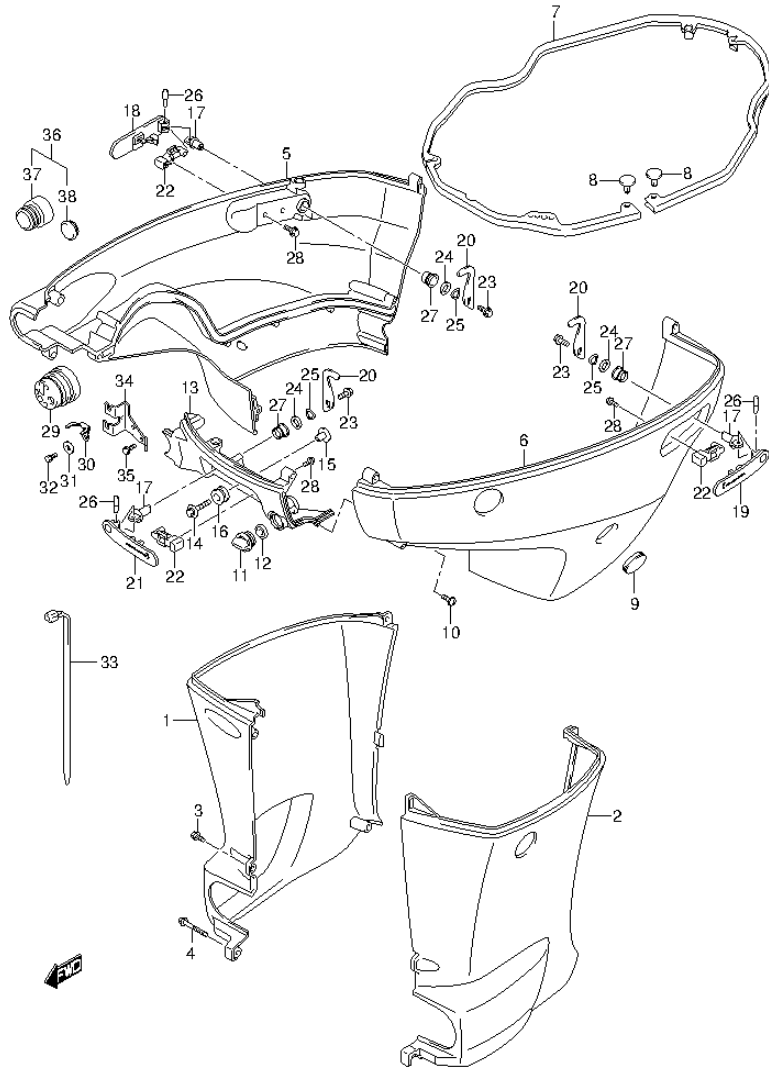


FIG.122 (2-D-3) SIDE COVER (DF150Z E40)

REF NO.	PART NO.	DESCRIPTION	Q'TY	REMARKS
25	09164-14008	WASHER	3	
26	09202-04022	PIN	3	
27	09306-13007	BUSH	3	
28	01550-05107	SCREW	6	
29	61124-96J01	GROMMET, REMOCON CABLE	1	
30	67343-96J00	STOPPER, REMOCON CABLE	1	
31	09160-06047	WASHER (6.5X20X2)	1	
32	01570-06127	BOLT	1	
33	09407-25402	CLAMP (L:248)	1	
34	67341-96J00	HOLDER, REMOCON CABLE	1	
35	01550-06167	BOLT	2	
36	17917-87L00	CONNECTOR, FLUSH WATER	1	
37	67300-93J00	KIT, HOSE ADAPTER	1	OPT
38	67361-93J00	.ADAPTER, HOSE	1	OPT
39	09250-21003	.PLUG (OD:28)	1	OPT

FIG.123



DF150\_175\_E01\_013\_123  
SIDE COVER

FIG.123 (2-D-4) SIDE COVER (DF175T E1)

REF NO.	PART NO.	DESCRIPTION	Q'TY	REMARKS
1-1	61131-96J02-0EP	COVER, OIL PAN STBD (L) (BLACK)	1	W/TRANSOM(L)
1-2	61131-96J02-Y5S	COVER, OIL PAN STBD (L) (WHITE)	1	W/TRANSOM(L)
1-3	61131-96J12-0EP	COVER, OIL PAN STBD (X) (BLACK)	1	W/TRANSOM(X)
1-4	61131-96J12-Y5S	COVER, OIL PAN STBD (X) (WHITE)	1	W/TRANSOM(X)
2-1	61141-96J02-0EP	COVER, OIL PAN PORT (L) (BLACK)	1	W/TRANSOM(L)
2-2	61141-96J02-Y5S	COVER, OIL PAN PORT (L) (WHITE)	1	W/TRANSOM(L)
2-3	61141-96J12-0EP	COVER, OIL PAN PORT (X) (BLACK)	1	W/TRANSOM(X)
2-4	61141-96J12-Y5S	COVER, OIL PAN PORT (X) (WHITE)	1	W/TRANSOM(X)
3-1	09139-06135	SCREW (6X17)	3	W/TRANSOM(L)
3-2	09139-06135	SCREW (6X17)	5	W/TRANSOM(X)
4	09139-06147	BOLT (6X114)	1	W/TRANSOM(L)
5-1	61811-96J10-0EP	COVER, SIDE STBD (BLACK)	1	
5-2	61811-96J10-Y5S	COVER, SIDE STBD (WHITE)	1	
6-1	61821-96J10-0EP	COVER, SIDE PORT (BLACK)	1	
6-2	61821-96J10-Y5S	COVER, SIDE PORT (WHITE)	1	
7	61134-96J00	SEAL, SIDE COVER	1	
8	09409-05302-5PK	CLIP (BLACK)	2	
9	61817-89J00	PLUG, SIDE COVER	1	
10	09136-06148	SCREW (6X35)	8	
11	17913-93J00	PLUG, WATER	1	
12	17914-93J00	GASKET, WATER PLUG	1	
13-1	61831-96J10-0EP	PANEL, FRONT (BLACK)	1	
13-2	61831-96J10-Y5S	PANEL, FRONT (WHITE)	1	
14	09118-08127	BOLT (8X40)	2	
15	09169-08039	WASHER	2	
16	09320-11013	CUSHION	2	
17	61632-93J00	SHAFT, ENGINE COVER HOOK	3	
18	61633-96J02	LEVER, HOOK RR STBD	1	
19	61634-96J02	LEVER, HOOK RR PORT	1	
20	61641-93J10	HOOK, ENGINE COVER	3	
21	61645-96J02	LEVER, HOOK FR	1	
22	61673-96J02	LATCH, HOOK LEVER	3	
23	09116-06127	BOLT (6X12)	3	
24	09100-13014	WASHER (13.2X25X1)	3	

DF150\_175\_E01\_013\_13014

FIG.123

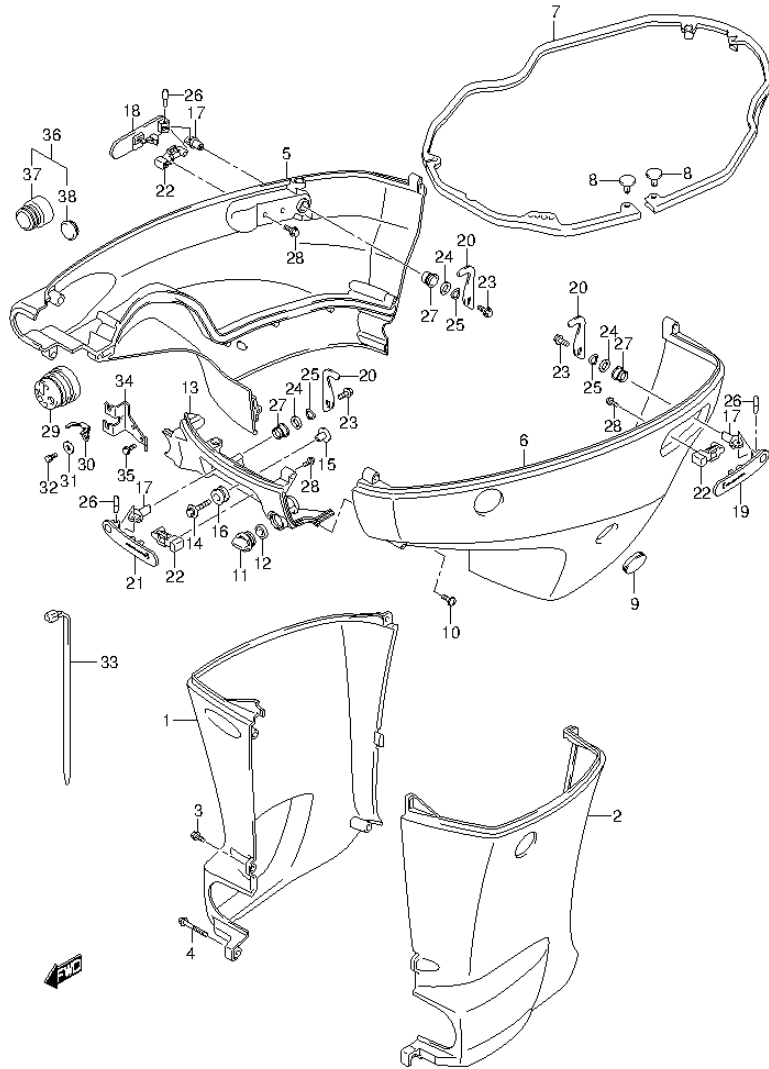


FIG.123 (2-D-5) SIDE COVER (DF175T E1)

REF NO.	PART NO.	DESCRIPTION	Q'TY	REMARKS
25	09164-14008	WASHER	3	
26	09202-04022	PIN	3	
27	09306-13007	BUSH	3	
28	01550-05107	SCREW	6	
29	61124-96J01	GROMMET, REMOCON CABLE	1	
30	67343-96J00	STOPPER, REMOCON CABLE	1	
31	09160-06047	WASHER (6.5X20X2)	1	
32	01570-06127	BOLT	1	
33	09407-25402	CLAMP (L:248)	1	
34	67341-96J00	HOLDER, REMOCON CABLE	1	
35	01550-06167	BOLT	2	
36	67300-93J00	KIT, HOSE ADAPTER	1	OPT
37	67361-93J00	ADAPTER, HOSE	1	OPT
38	09250-21003	.PLUG (OD:28)	1	OPT



FIG.124

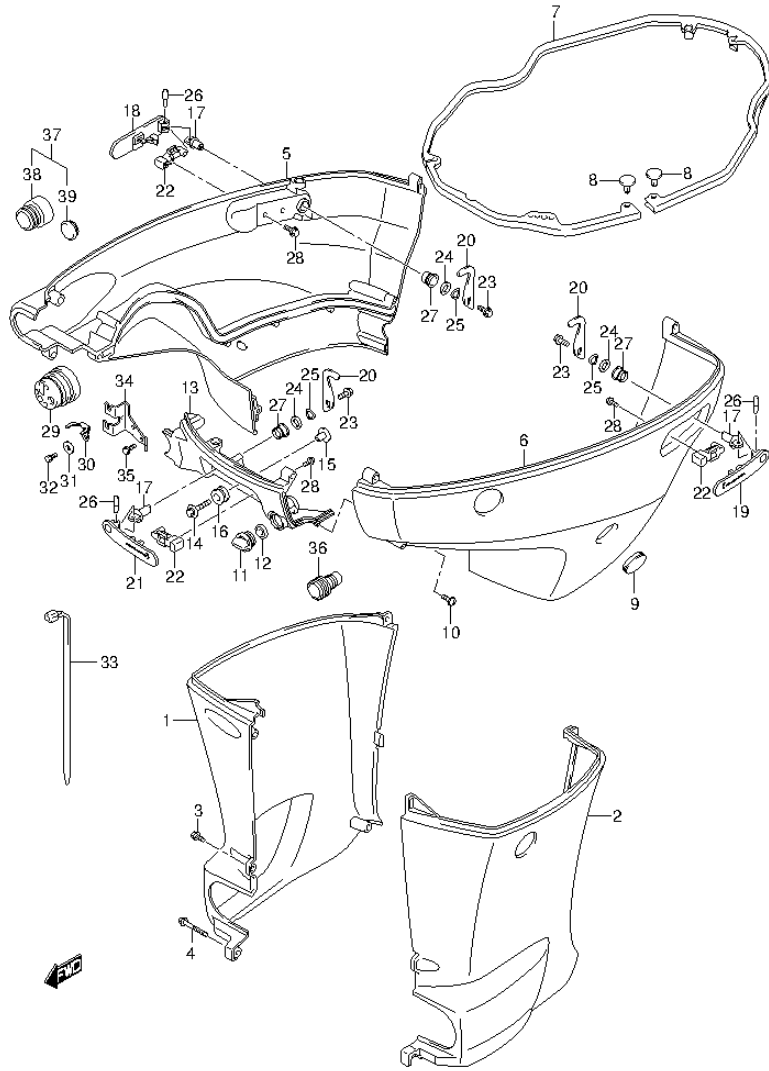


FIG.124 (2-D-6) SIDE COVER (DF175T E40)

REF NO.	PART NO.	DESCRIPTION	Q'TY	REMARKS
1-1	61131-96J02-0EP	COVER, OIL PAN STBD (L) (BLACK)	1	W/TRANSOM(L)
1-2	61131-96J12-0EP	COVER, OIL PAN STBD (X) (BLACK)	1	W/TRANSOM(X)
2-1	61141-96J02-0EP	COVER, OIL PAN PORT (L) (BLACK)	1	W/TRANSOM(L)
2-2	61141-96J12-0EP	COVER, OIL PAN PORT (X) (BLACK)	1	W/TRANSOM(X)
3-1	09139-06135	SCREW (6X17)	3	W/TRANSOM(L)
3-2	09139-06135	SCREW (6X17)	5	W/TRANSOM(X)
4	09139-06147	BOLT (6X114)	1	W/TRANSOM(L)
5	61811-96J10-0EP	COVER, SIDE STBD (BLACK)	1	
6	61821-96J10-0EP	COVER, SIDE PORT (BLACK)	1	
7	61134-96J00	SEAL, SIDE COVER	1	
8	09409-05302-5PK	CLIP (BLACK)	2	
9	61817-89J00	PLUG, SIDE COVER	1	
10	09136-06148	SCREW (6X35)	8	
11	17913-93J00	PLUG, WATER	1	
12	17914-93J00	GASKET, WATER PLUG	1	
13	61831-96J10-0EP	PANEL, FRONT (BLACK)	1	
14	09118-08127	BOLT (8X40)	2	
15	09169-08039	WASHER	2	
16	09320-11013	CUSHION	2	
17	61632-93J00	SHAFT, ENGINE COVER HOOK	3	
18	61633-96J02	LEVER, HOOK RR STBD	1	
19	61634-96J02	LEVER, HOOK RR PORT	1	
20	61641-93J10	HOOK, ENGINE COVER	3	
21	61645-96J02	LEVER, HOOK FR	1	
22	61673-96J02	LATCH, HOOK LEVER	3	
23	09116-06127	BOLT (6X12)	3	
24	09160-13014	WASHER (13.2X25X1)	3	

FIG.124

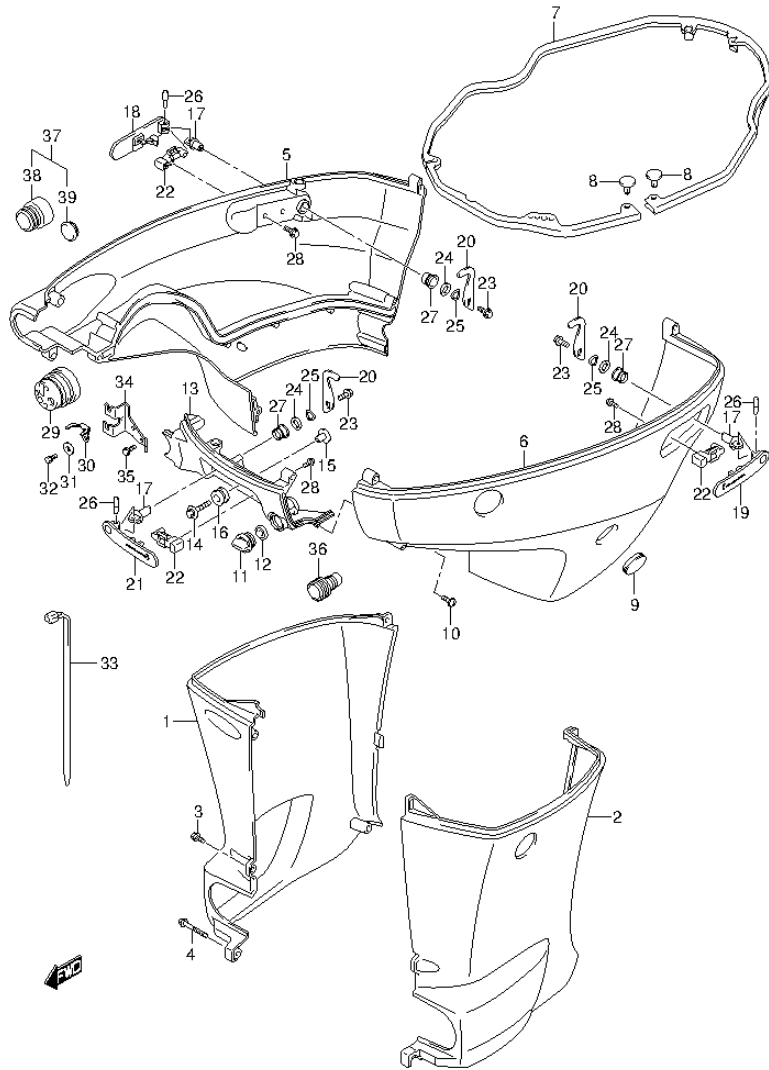


FIG.124 (2-D-7) SIDE COVER (DF175T E40)

REF NO.	PART NO.	DESCRIPTION	Q'TY	REMARKS
25	09164-14008	WASHER	3	
26	09202-04022	PIN	3	
27	09306-13007	BUSH	3	
28	01550-05107	SCREW	6	
29	61124-96J01	GROMMET, REMOCON CABLE	1	
30	67343-96J00	STOPPER, REMOCON CABLE	1	
31	09160-06047	WASHER (6.5X20X2)	1	
32	01570-06127	BOLT	1	
33	09407-25402	CLAMP (L:248)	1	
34	67341-96J00	HOLDER, REMOCON CABLE	1	
35	01550-06167	BOLT	2	
36	17917-87L00	CONNECTOR, FLUSH WATER	1	
37	67300-93J00	KIT, HOSE ADAPTER	1	OPT
38	67361-93J00	.ADAPTER, HOSE	1	OPT
39	09250-21003	.PLUG (OD:28)	1	OPT

FIG.125

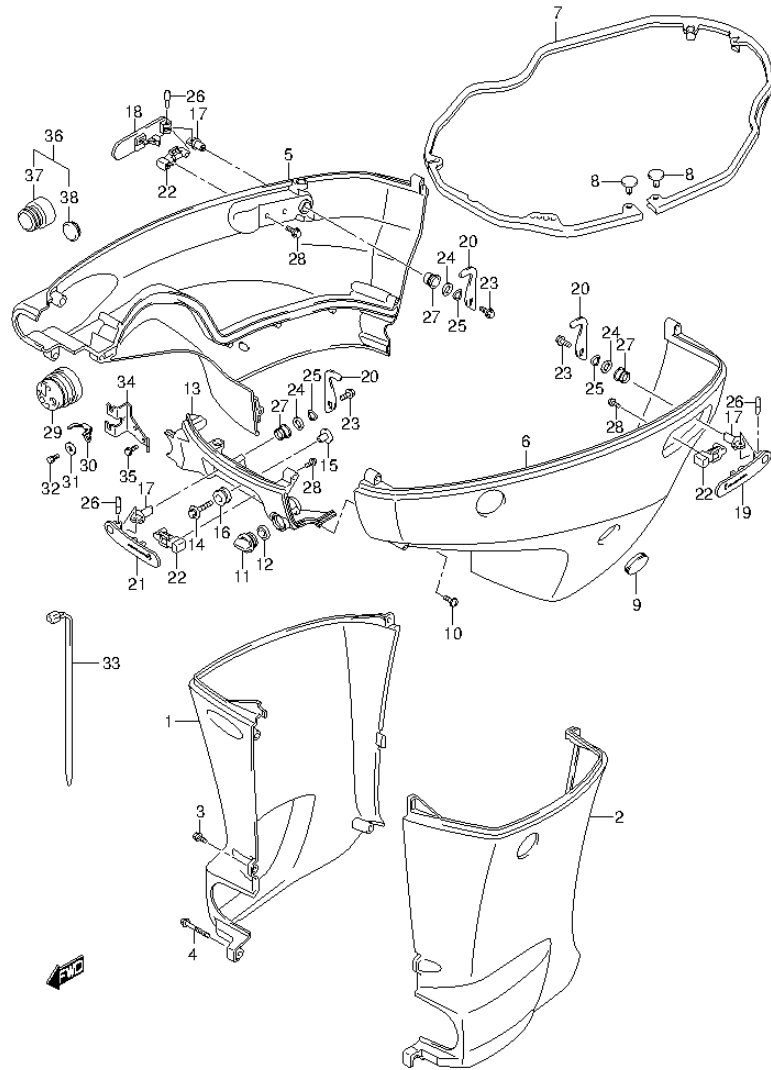


FIG.125 (2-D-8) SIDE COVER (DF175Z E1)

REF NO.	PART NO.	DESCRIPTION	Q'TY	REMARKS
1-1	61131-96J02-0EP	COVER, OIL PAN STBD (L) (BLACK)	1	W/TRANSOM(L)
1-2	61131-96J02-Y5S	COVER, OIL PAN STBD (L) (WHITE)	1	W/TRANSOM(L)
1-3	61131-96J12-0EP	COVER, OIL PAN STBD (X) (BLACK)	1	W/TRANSOM(X)
1-4	61131-96J12-Y5S	COVER, OIL PAN STBD (X) (WHITE)	1	W/TRANSOM(X)
2-1	61141-96J02-0EP	COVER, OIL PAN PORT (L) (BLACK)	1	W/TRANSOM(L)
2-2	61141-96J02-Y5S	COVER, OIL PAN STBD (L) (WHITE)	1	W/TRANSOM(L)
2-3	61141-96J12-0EP	COVER, OIL PAN PORT (X) (BLACK)	1	W/TRANSOM(X)
2-4	61141-96J12-Y5S	COVER, OIL PAN PORT (X) (WHITE)	1	W/TRANSOM(X)
3-1	09139-06135	SCREW (6X17)	3	W/TRANSOM(L)
3-2	09139-06135	SCREW (6X17)	5	W/TRANSOM(X)
4	09139-06147	BOLT (6X114)	1	W/TRANSOM(L)
5-1	61811-96J10-0EP	COVER, SIDE STBD (BLACK)	1	
5-2	61811-96J10-Y5S	COVER, SIDE STBD (WHITE)	1	
6-1	61821-96J10-0EP	COVER, SIDE PORT (BLACK)	1	
6-2	61821-96J10-Y5S	COVER, SIDE PORT (WHITE)	1	
7	61134-96J00	SEAL, SIDE COVER	1	
8	09409-05302-5PK	CLIP (BLACK)	2	
9	61817-89J00	PLUG, SIDE COVER	1	
10	09136-06148	SCREW (6X35)	8	
11	17913-93J00	PLUG, WATER	1	
12	17914-93J00	GASKET, WATER PLUG	1	
13-1	61831-96J10-0EP	PANEL, FRONT (BLACK)	1	
13-2	61831-96J10-Y5S	PANEL, FRONT (WHITE)	1	
14	09118-08127	BOLT (8X40)	2	
15	09169-08039	WASHER	2	
16	09320-11013	CUSHION	2	
17	61632-93J00	SHAFT, ENGINE COVER HOOK	3	
18	61633-96J02	LEVER, HOOK RR STBD	1	
19	61634-96J02	LEVER, HOOK RR PORT	1	
20	61641-93J10	HOOK, ENGINE COVER	3	
21	61645-96J02	LEVER, HOOK FR	1	
22	61673-96J02	LATCH, HOOK LEVER	3	
23	09116-06127	BOLT (6X12)	3	
24	09116-06127	WASHER (13.2X25X1)	3	

FIG.125

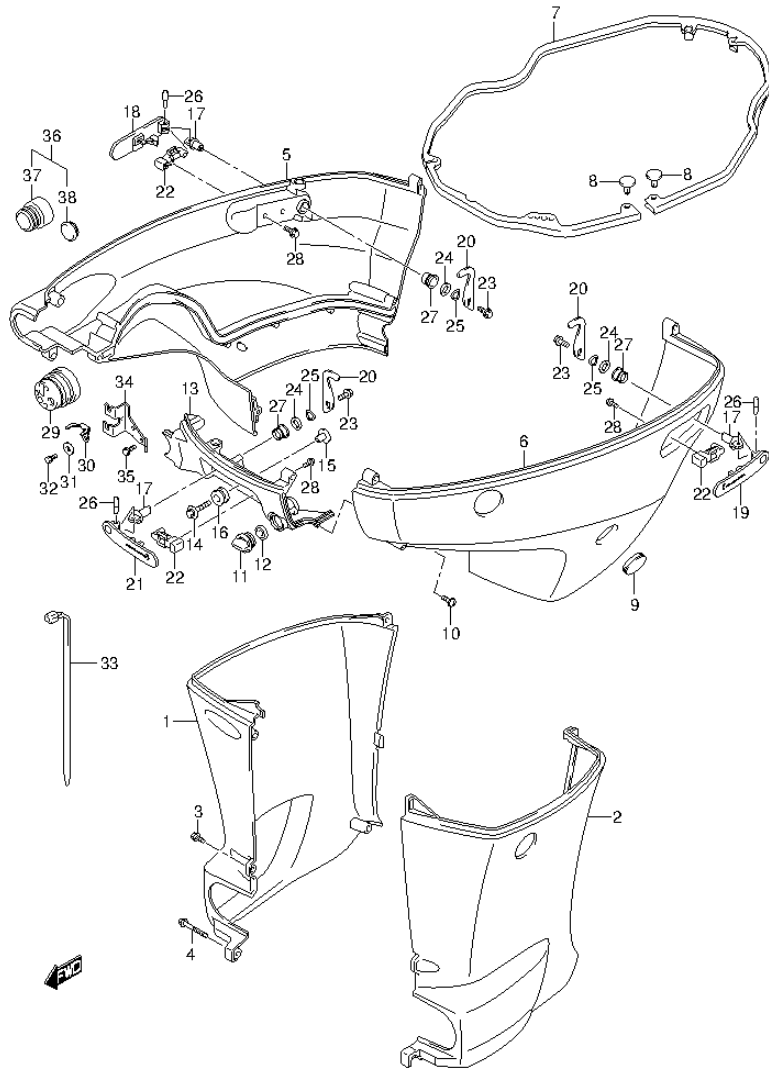


FIG.125 (2-D-9) SIDE COVER (DF175Z E1)

REF NO.	PART NO.	DESCRIPTION	Q'TY	REMARKS
25	09164-14008	WASHER	3	
26	09202-04022	PIN	3	
27	09306-13007	BUSH	3	
28	01550-05107	SCREW	6	
29	61124-96J01	GROMMET, REMOCON CABLE	1	
30	67343-96J00	STOPPER, REMOCON CABLE	1	
31	09160-06047	WASHER (6.5X20X2)	1	
32	01570-06127	BOLT	1	
33	09407-25402	CLAMP (L:248)	1	
34	67341-96J00	HOLDER, REMOCON CABLE	1	
35	01550-06167	BOLT	2	
36	67300-93J00	KIT, HOSE ADAPTER	1	OPT
37	67361-93J00	ADAPTER, HOSE	1	OPT
38	09250-21003	.PLUG (OD:28)	1	OPT

FIG.126

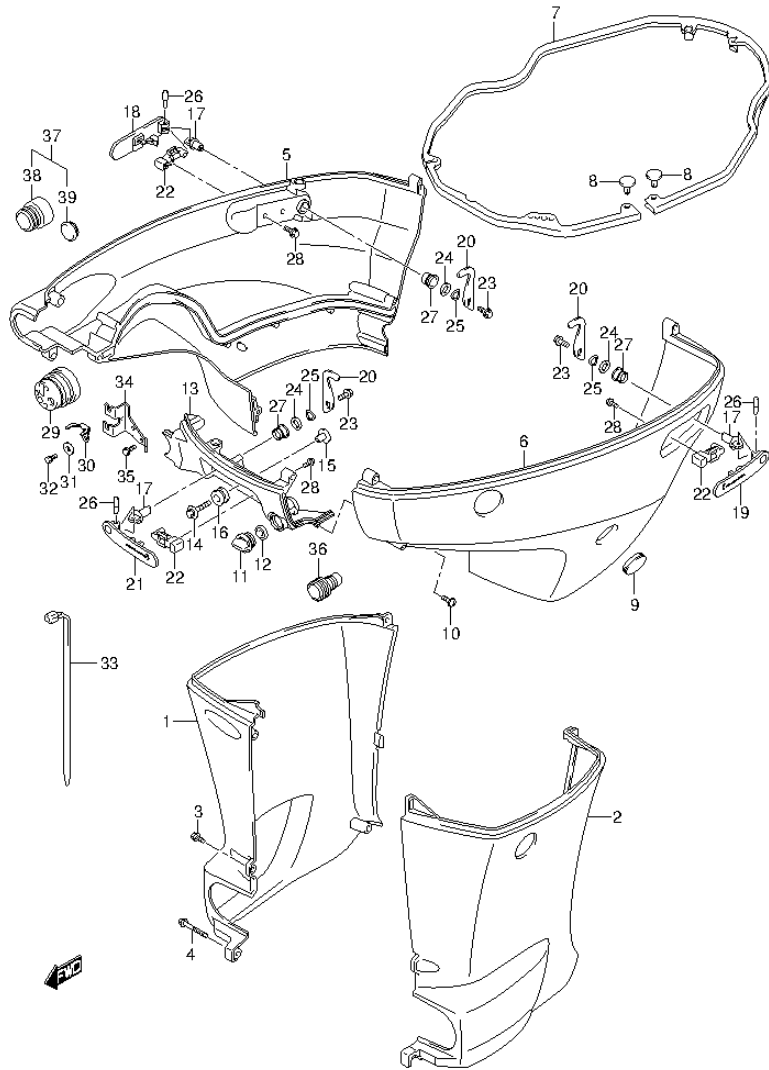


FIG.126 (2-D-10) SIDE COVER (DF175Z E40)

REF NO.	PART NO.	DESCRIPTION	Q'TY	REMARKS
1-1	61131-96J02-0EP	COVER, OIL PAN STBD (L) (BLACK)	1	W/TRANSOM(L)
1-2	61131-96J12-0EP	COVER, OIL PAN STBD (X) (BLACK)	1	W/TRANSOM(X)
2-1	61141-96J02-0EP	COVER, OIL PAN PORT (L) (BLACK)	1	W/TRANSOM(L)
2-2	61141-96J12-0EP	COVER, OIL PAN PORT (X) (BLACK)	1	W/TRANSOM(X)
3-1	09139-06135	SCREW (6X17)	3	W/TRANSOM(L)
3-2	09139-06135	SCREW (6X17)	5	W/TRANSOM(X)
4	09139-06147	BOLT (6X114)	1	W/TRANSOM(L)
5	61811-96J10-0EP	COVER, SIDE STBD (BLACK)	1	
6	61821-96J10-0EP	COVER, SIDE PORT (BLACK)	1	
7	61134-96J00	SEAL, SIDE COVER	1	
8	09409-05302-5PK	CLIP (BLACK)	2	
9	61817-89J00	PLUG, SIDE COVER	1	
10	09136-06148	SCREW (6X35)	8	
11	17913-93J00	PLUG, WATER	1	
12	17914-93J00	GASKET, WATER PLUG	1	
13	61831-96J10-0EP	PANEL, FRONT (BLACK)	1	
14	09118-08127	BOLT (8X40)	2	
15	09169-08039	WASHER	2	
16	09320-11013	CUSHION	2	
17	61632-93J00	SHAFT, ENGINE COVER HOOK	3	
18	61633-96J02	LEVER, HOOK RR STBD	1	
19	61634-96J02	LEVER, HOOK RR PORT	1	
20	61641-93J10	HOOK, ENGINE COVER	3	
21	61645-96J02	LEVER, HOOK FR	1	
22	61673-96J02	LATCH, HOOK LEVER	3	
23	09116-06127	BOLT (6X12)	3	
24	09160-13014	WASHER (13.2X25X1)	3	

FIG.126

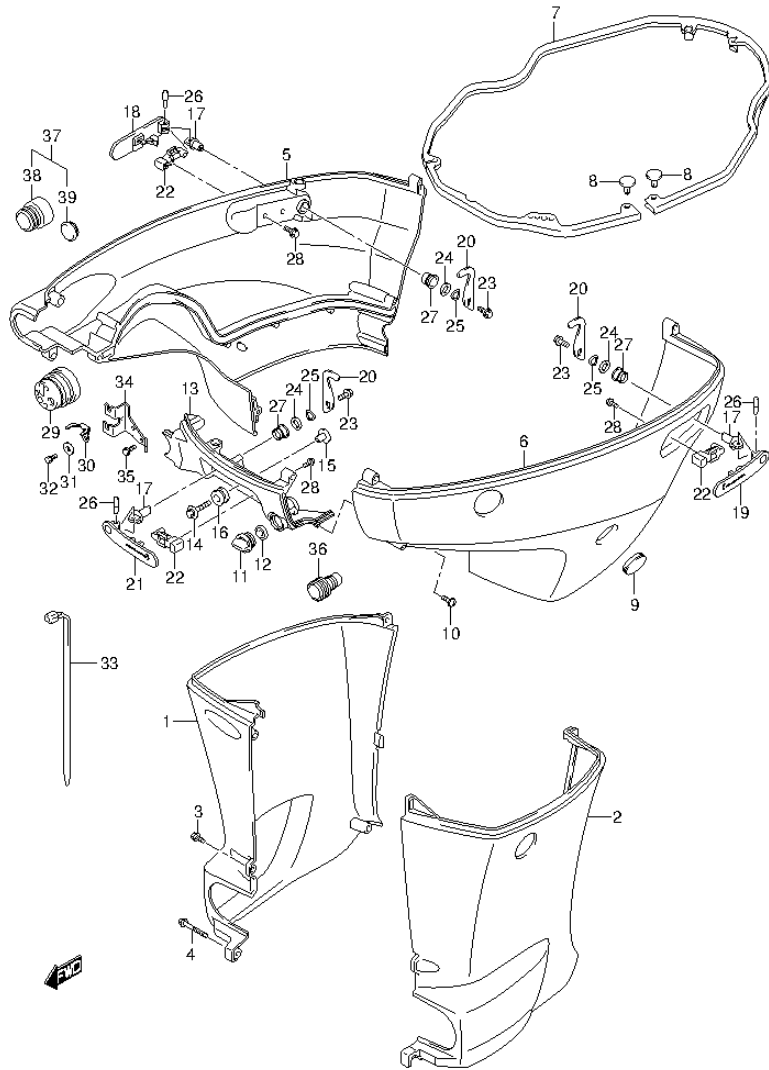


FIG.126 (2-D-11) SIDE COVER (DF175Z E40)

REF NO.	PART NO.	DESCRIPTION	Q'TY	REMARKS
25	09164-14008	WASHER	3	
26	09202-04022	PIN	3	
27	09306-13007	BUSH	3	
28	01550-05107	SCREW	6	
29	61124-96J01	GROMMET, REMOCON CABLE	1	
30	67343-96J00	STOPPER, REMOCON CABLE	1	
31	09160-06047	WASHER (6.5X20X2)	1	
32	01570-06127	BOLT	1	
33	09407-25402	CLAMP (L:248)	1	
34	67341-96J00	HOLDER, REMOCON CABLE	1	
35	01550-06167	BOLT	2	
36	17917-87L00	CONNECTOR, FLUSH WATER	1	
37	67300-93J00	KIT, HOSE ADAPTER	1	OPT
38	67361-93J00	.ADAPTER, HOSE	1	OPT
39	09250-21003	.PLUG (OD:28)	1	OPT

FIG.127

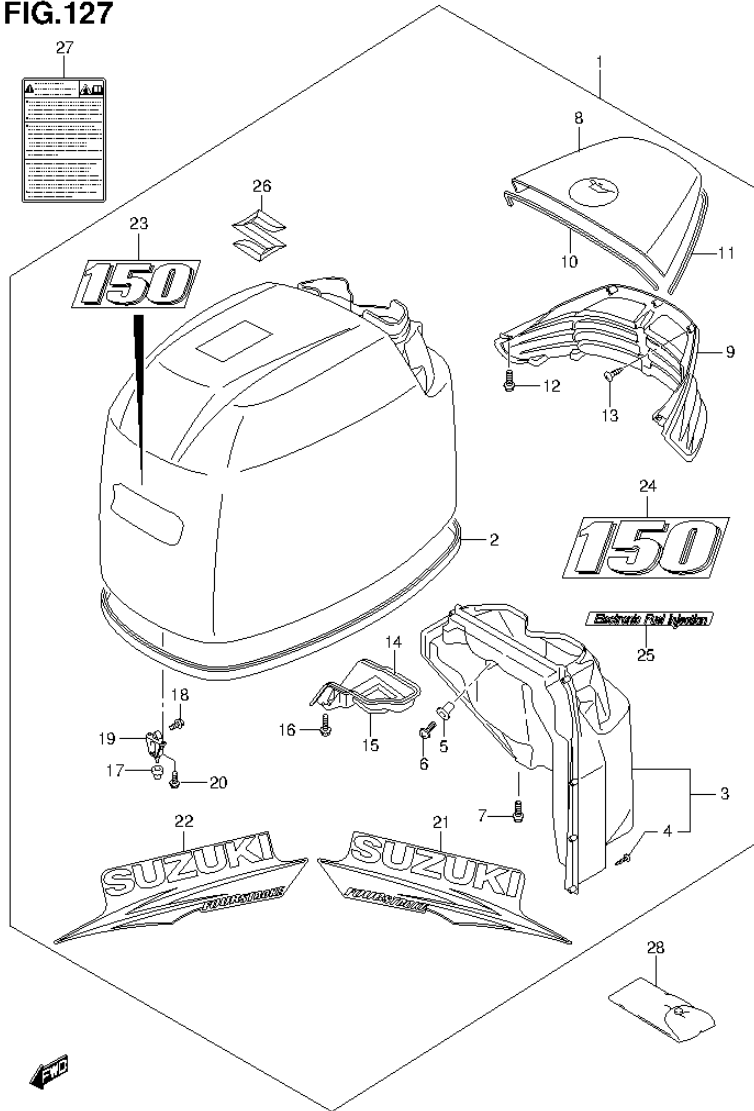


FIG.127 (2-D-12) ENGINE COVER (DF150T E1:0EP)

REF NO.	PART NO.	DESCRIPTION	Q'TY	REMARKS
1	61410-96856-0EP	COVER SET, ENGINE (BLACK)	1	
2	61112-96J10	.SEAL, ENGINE COVER	1	
3	61430-96J10	.GUIDE ASSY, AIR INTK INNER	1	
4	03542-05169	..SCREW	8	
5	09159-05019	.NUT	2	
6	02142-05167	.SCREW	2	
7	01550-06167	.BOLT	2	
8	61431-96J20-0EP	.HANDLE, TILT UP (BLACK)	1	
9	61432-96J11	.LOUVER, TILT UP HANDLE	1	
10	61438-96J10	.SEAL, TILT UP HANDLE NO.1	1	
11	61439-96J10	.SEAL, TILT UP HANDLE NO.2	1	
12	01550-06167	.BOLT	5	
13	03542-05169	.SCREW	8	
14	61475-96J10	.GUIDE, AIR VENT	1	
15	61476-96J10	.SEAL, AIR VENT	1	
16	01550-06167	.BOLT	2	
17	09329-10022	.CUSHION	3	
18	01550-06127	.BOLT	3	
19	61621-93J00	.BRACKET, FASTENER	3	
20	01547-06167	.BOLT	6	
21	61443-96J22	.STRIPE, ENGINE COVER STBD	1	
22	61453-96J22	.STRIPE, ENGINE COVER PORT	1	
23	61422-96J42	.MARK, EMBLEM FRONT (150)	1	
24	61435-96J22	.MARK, EMBLEM REAR (150)	1	
25	61446-87L12	.DECAL, EFI	1	
26	77811-54GC0-0PG	.EMBLEM (S) (CHROME)	1	
27	61458-99E70	LABEL, ENGINE COVER	1	
28	09800-81840	TOOL SET	1	

FIG.127A

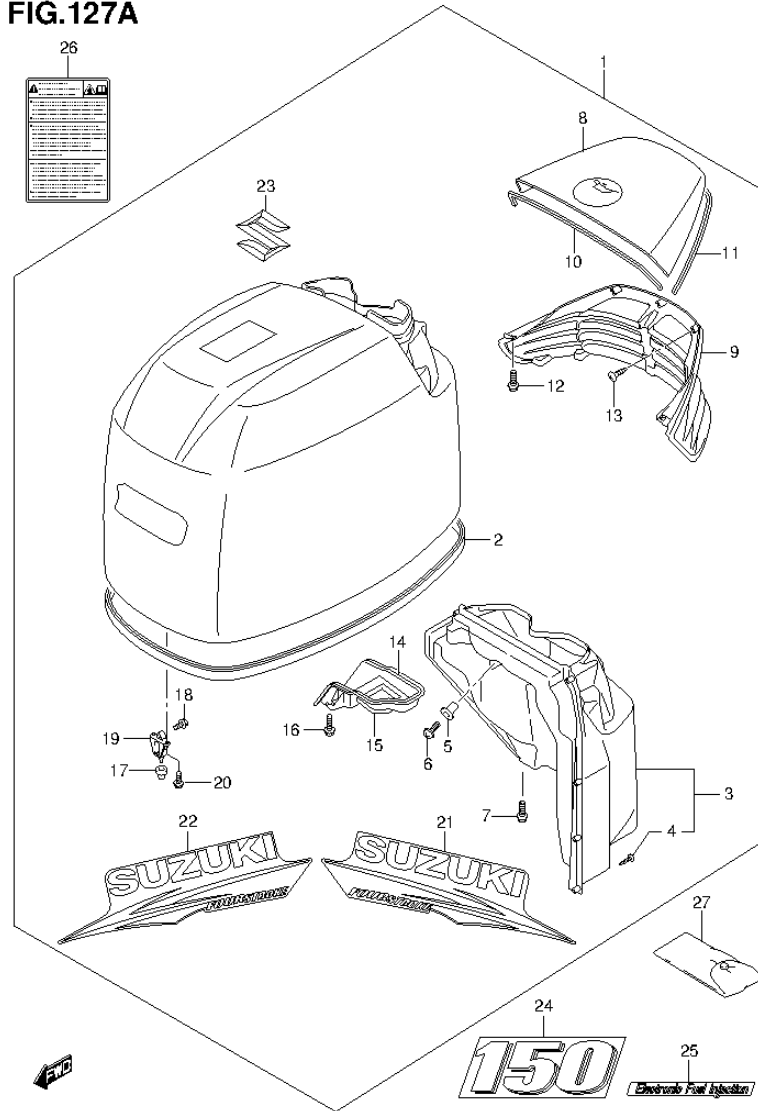


FIG.127A (2-D-13) ENGINE COVER (DF150T E1:Y5S)

REF NO.	PART NO.	DESCRIPTION	Q'TY	REMARKS
1	61410-96880-Y5S	COVER SET, ENGINE (WHITE)	1	
2	61112-96J10	.SEAL, ENGINE COVER	1	
3	61430-96J10	.GUIDE ASSY, AIR INTK INNER	1	
4	03542-05169	.SCREW	8	
5	09159-05019	.NUT	2	
6	02142-05167	.SCREW	2	
7	01550-06167	.BOLT	2	
8	61431-96J20-Y5S	.HANDLE, TILT UP (WHITE)	1	
9	61432-96J11	.LOUVER, TILT UP HANDLE	1	
10	61438-96J10	.SEAL, TILT UP HANDLE NO.1	1	
11	61439-96J10	.SEAL, TILT UP HANDLE NO.2	1	
12	01550-06167	.BOLT	5	
13	03542-05169	.SCREW	8	
14	61475-96J10	.GUIDE, AIR VENT	1	
15	61476-96J10	.SEAL, AIR VENT	1	
16	01550-06167	.BOLT	2	
17	09329-10022	.CUSHION	3	
18	01550-06127	.BOLT	3	
19	61621-93J00	.BRACKET, FASTENER	3	
20	01547-06167	.BOLT	6	
21	61443-96J30	.STRIPE, ENGINE COVER STBD	1	
22	61453-96J30	.STRIPE, ENGINE COVER PORT	1	
23	77811-54GC0-0PG	.EMBLEM (S) (CHROME)	1	
24	61435-96J40	MARK, EMBLEM (150)	2	
25	61446-87L20	DECAL, EFI	1	
26	61458-99E70	LABEL, ENGINE COVER	1	
27	09800-81840	TOOL SET	1	



FIG.128

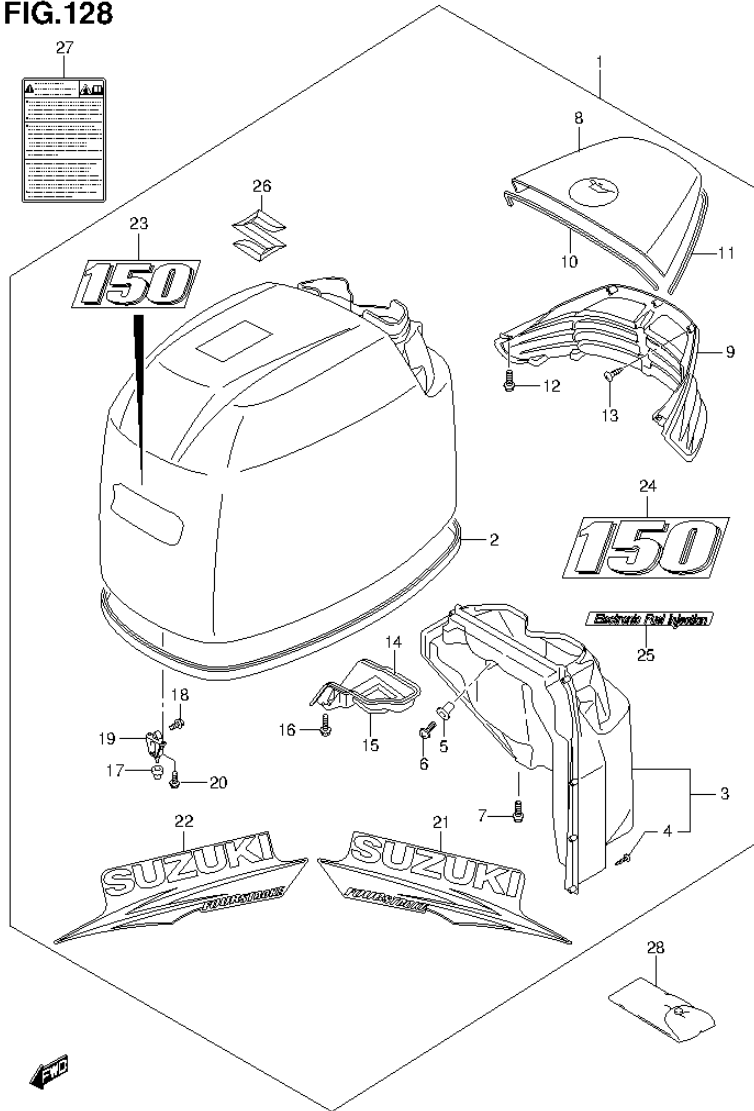


FIG.128 (2-D-14) ENGINE COVER (DF150T E40)

REF NO.	PART NO.	DESCRIPTION	Q'TY	REMARKS
1	61410-96856-0EP	COVER SET, ENGINE (BLACK)	1	
2	61112-96J10	.SEAL, ENGINE COVER	1	
3	61430-96J10	.GUIDE ASSY, AIR INTK INNER	1	
4	03542-05169	.SCREW	8	
5	09159-05019	.NUT	2	
6	02142-05167	.SCREW	2	
7	01550-06167	.BOLT	2	
8	61431-96J20-0EP	.HANDLE, TILT UP (BLACK)	1	
9	61432-96J11	.LOUVER, TILT UP HANDLE	1	
10	61438-96J10	.SEAL, TILT UP HANDLE NO.1	1	
11	61439-96J10	.SEAL, TILT UP HANDLE NO.2	1	
12	01550-06167	.BOLT	5	
13	03542-05169	.SCREW	8	
14	61475-96J10	.GUIDE, AIR VENT	1	
15	61476-96J10	.SEAL, AIR VENT	1	
16	01550-06167	.BOLT	2	
17	09329-10022	.CUSHION	3	
18	01550-06127	.BOLT	3	
19	61621-93J00	.BRACKET, FASTENER	3	
20	01547-06167	.BOLT	6	
21	61443-96J22	.STRIPE, ENGINE COVER STBD	1	
22	61453-96J22	.STRIPE, ENGINE COVER PORT	1	
23	61422-96J42	.MARK, EMBLEM FRONT (150)	1	
24	61435-96J22	.MARK, EMBLEM REAR (150)	1	
25	61446-87L12	.DECAL, EFI	1	
26	77811-54GC0-0PG	.EMBLEM (S) (CHROME)	1	
27	61458-99E70	LABEL, ENGINE COVER	1	
28	09800-81840	TOOL SET	1	

FIG.129

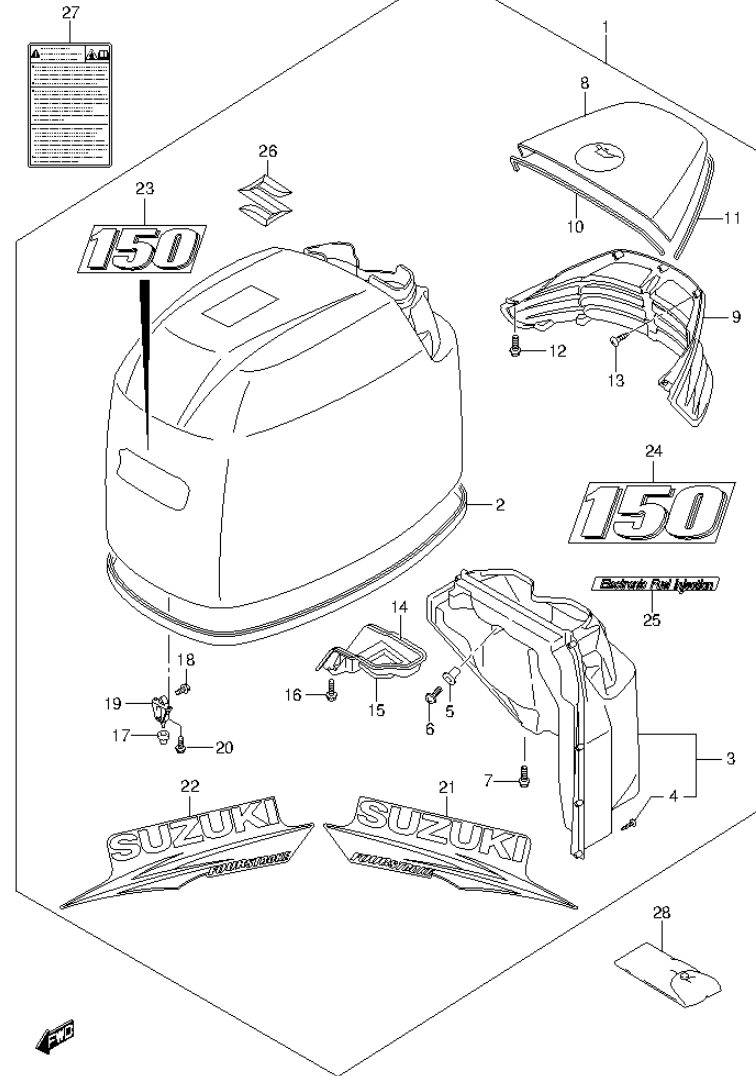


FIG.129 (2-D-15) ENGINE COVER (DF150Z E1:0EP)

REF NO.	PART NO.	DESCRIPTION	Q'TY	REMARKS
1	61410-96856-0EP	COVER SET, ENGINE (BLACK)	1	
2	61112-96J10	.SEAL, ENGINE COVER	1	
3	61430-96J10	.GUIDE ASSY, AIR INTK INNER	1	
4	03542-05169	..SCREW	8	
5	09159-05019	.NUT	2	
6	02142-05167	.SCREW	2	
7	01550-06167	.BOLT	2	
8	61431-96J20-0EP	.HANDLE, TILT UP (BLACK)	1	
9	61432-96J11	.LOUVER, TILT UP HANDLE	1	
10	61438-96J10	.SEAL, TILT UP HANDLE NO.1	1	
11	61439-96J10	.SEAL, TILT UP HANDLE NO.2	1	
12	01550-06167	.BOLT	5	
13	03542-05169	.SCREW	8	
14	61475-96J10	.GUIDE, AIR VENT	1	
15	61476-96J10	.SEAL, AIR VENT	1	
16	01550-06167	.BOLT	2	
17	09329-10022	.CUSHION	3	
18	01550-06127	.BOLT	3	
19	61621-93J00	.BRACKET, FASTENER	3	
20	01547-06167	.BOLT	6	
21	61443-96J22	.STRIPE, ENGINE COVER STBD	1	
22	61453-96J22	.STRIPE, ENGINE COVER PORT	1	
23	61422-96J42	.MARK, EMBLEM FRONT (150)	1	
24	61435-96J22	.MARK, EMBLEM REAR (150)	1	
25	61446-87L12	.DECAL, EFI	1	
26	77811-54GC0-0PG	.EMBLEM (S) (CHROME)	1	
27	61458-99E70	LABEL, ENGINE COVER	1	
28	09800-81840	TOOL SET	1	

FIG.129A

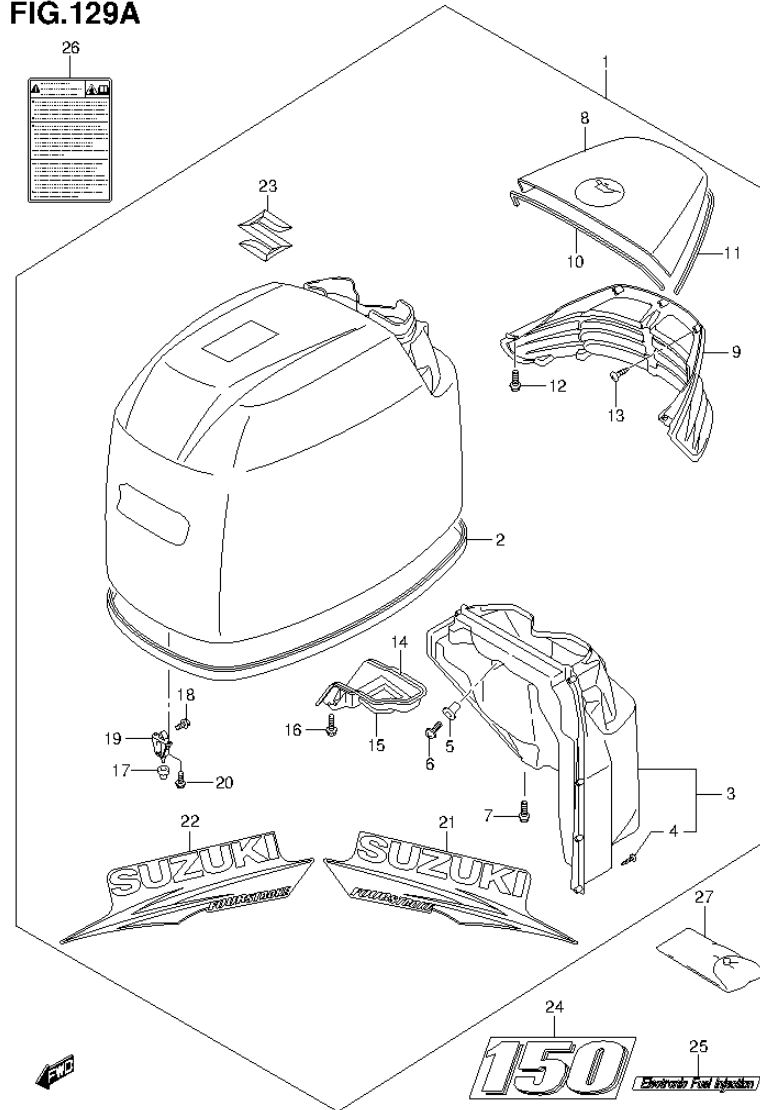


FIG.129A (2-E-2) ENGINE COVER (DF150Z E1:Y5S)

REF NO.	PART NO.	DESCRIPTION	Q'TY	REMARKS
1	61410-96880-Y5S	COVER SET, ENGINE (WHITE)	1	
2	61112-96J10	.SEAL, ENGINE COVER	1	
3	61430-96J10	.GUIDE ASSY, AIR INTK INNER	1	
4	03542-05169	.SCREW	8	
5	09159-05019	.NUT	2	
6	02142-05167	.SCREW	2	
7	01550-06167	.BOLT	2	
8	61431-96J20-Y5S	.HANDLE, TILT UP (WHITE)	1	
9	61432-96J11	.LOUVER, TILT UP HANDLE	1	
10	61438-96J10	.SEAL, TILT UP HANDLE NO.1	1	
11	61439-96J10	.SEAL, TILT UP HANDLE NO.2	1	
12	01550-06167	.BOLT	5	
13	03542-05169	.SCREW	8	
14	61475-96J10	.GUIDE, AIR VENT	1	
15	61476-96J10	.SEAL, AIR VENT	1	
16	01550-06167	.BOLT	2	
17	09329-10022	.CUSHION	3	
18	01550-06127	.BOLT	3	
19	61621-93J00	.BRACKET, FASTENER	3	
20	01547-06167	.BOLT	6	
21	61443-96J30	.STRIPE, ENGINE COVER STBD	1	
22	61453-96J30	.STRIPE, ENGINE COVER PORT	1	
23	77811-54GC0-0PG	.EMBLEM (S) (CHROME)	1	
24	61435-96J40	MARK, EMBLEM (150)	2	
25	61446-87L20	DECAL, EFI	1	
26	61458-99E70	LABEL, ENGINE COVER	1	
27	09800-81840	TOOL SET	1	

FIG.130

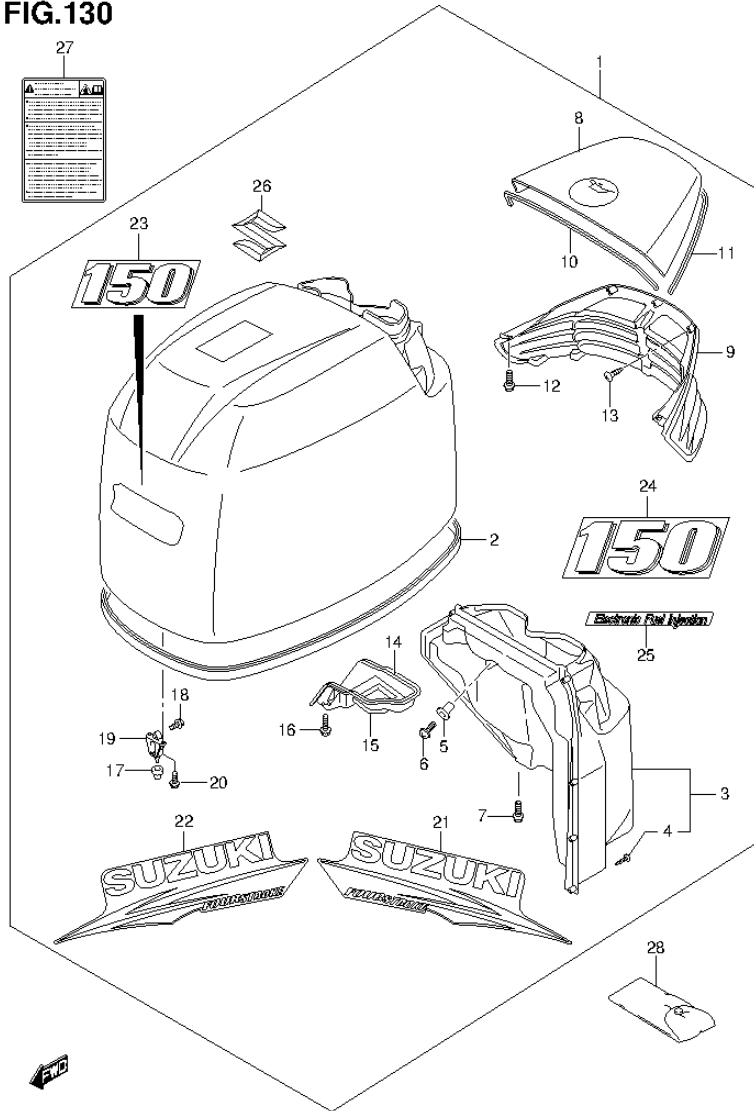


FIG.130 (2-E-3) ENGINE COVER (DF150Z E40)

REF NO.	PART NO.	DESCRIPTION	Q'TY	REMARKS
1	61410-96856-0EP	COVER SET, ENGINE (BLACK)	1	
2	61112-96J10	.SEAL, ENGINE COVER	1	
3	61430-96J10	.GUIDE ASSY, AIR INTK INNER	1	
4	03542-05169	..SCREW	8	
5	09159-05019	.NUT	2	
6	02142-05167	.SCREW	2	
7	01550-06167	.BOLT	2	
8	61431-96J20-0EP	.HANDLE, TILT UP (BLACK)	1	
9	61432-96J11	.LOUVER, TILT UP HANDLE	1	
10	61438-96J10	.SEAL, TILT UP HANDLE NO.1	1	
11	61439-96J10	.SEAL, TILT UP HANDLE NO.2	1	
12	01550-06167	.BOLT	5	
13	03542-05169	.SCREW	8	
14	61475-96J10	.GUIDE, AIR VENT	1	
15	61476-96J10	.SEAL, AIR VENT	1	
16	01550-06167	.BOLT	2	
17	09329-10022	.CUSHION	3	
18	01550-06127	.BOLT	3	
19	61621-93J00	.BRACKET, FASTENER	3	
20	01547-06167	.BOLT	6	
21	61443-96J22	.STRIPE, ENGINE COVER STBD	1	
22	61453-96J22	.STRIPE, ENGINE COVER PORT	1	
23	61422-96J42	.MARK, EMBLEM FRONT (150)	1	
24	61435-96J22	.MARK, EMBLEM REAR (150)	1	
25	61446-87L12	.DECAL, EFI	1	
26	77811-54GC0-0PG	.EMBLEM (S) (CHROME)	1	
27	61458-99E70	LABEL, ENGINE COVER	1	
28	09800-81840	TOOL SET	1	

FIG.131

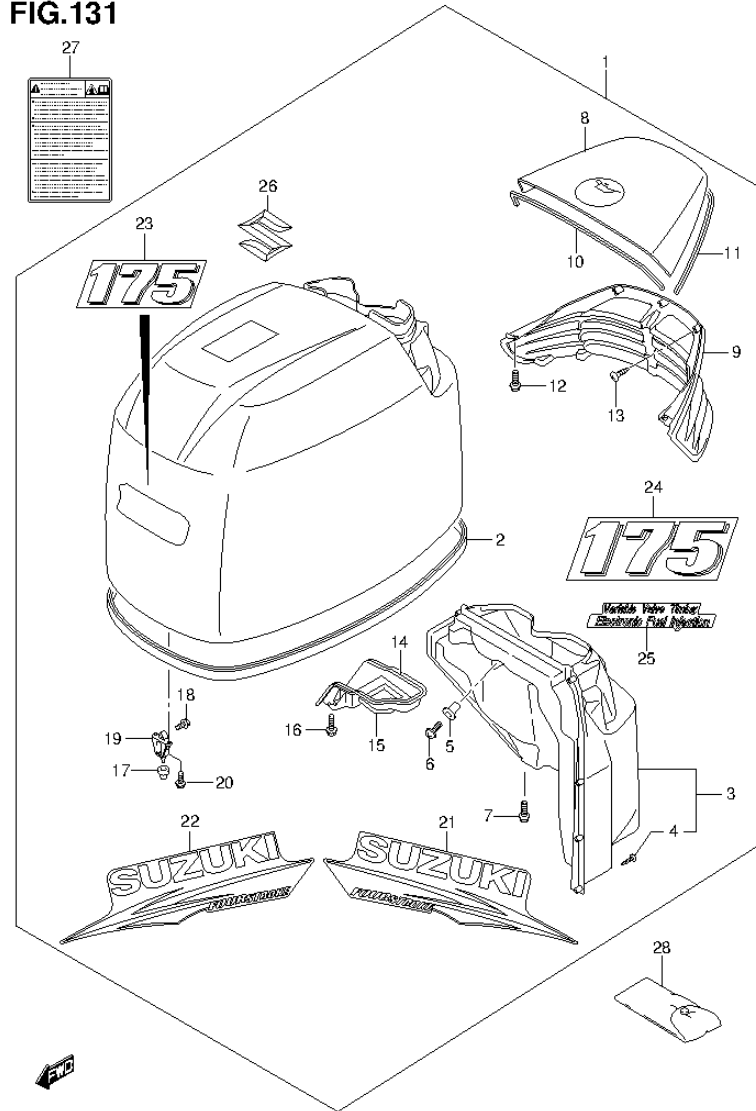


FIG.131 (2-E-4) ENGINE COVER (DF175T E1:0EP)

REF NO.	PART NO.	DESCRIPTION	Q'TY	REMARKS
1	61410-96865-0EP	COVER SET, ENGINE (BLACK)	1	
2	61112-96J10	.SEAL, ENGINE COVER	1	
3	61430-96J10	.GUIDE ASSY, AIR INTK INNER	1	
4	03542-05169	.SCREW	8	
5	09159-05019	.NUT	2	
6	02142-05167	.SCREW	2	
7	01550-06167	.BOLT	2	
8	61431-96J20-0EP	.HANDLE, TILT UP (BLACK)	1	
9	61432-96J11	.LOUVER, TILT UP HANDLE	1	
10	61438-96J10	.SEAL, TILT UP HANDLE NO.1	1	
11	61439-96J10	.SEAL, TILT UP HANDLE NO.2	1	
12	01550-06167	.BOLT	5	
13	03542-05169	.SCREW	8	
14	61475-96J10	.GUIDE, AIR VENT	1	
15	61476-96J10	.SEAL, AIR VENT	1	
16	01550-06167	.BOLT	2	
17	09329-10022	.CUSHION	3	
18	01550-06127	.BOLT	3	
19	61621-93J00	.BRACKET, FASTENER	3	
20	01547-06167	.BOLT	6	
21	61443-96J22	.STRIPE, ENGINE COVER STBD	1	
22	61453-96J22	.STRIPE, ENGINE COVER PORT	1	
23	61422-96J52	.MARK, EMBLEM FRONT (175)	1	
24	61435-96J32	.MARK, EMBLEM REAR (175)	1	
25	61446-93J32	.DECAL, EFI & VVT	1	
26	77811-54GC0-0PG	.EMBLEM (S) (CHROME)	1	
27	61458-99E70	LABEL, ENGINE COVER	1	
28	09800-81840	TOOL SET	1	

FIG.131A

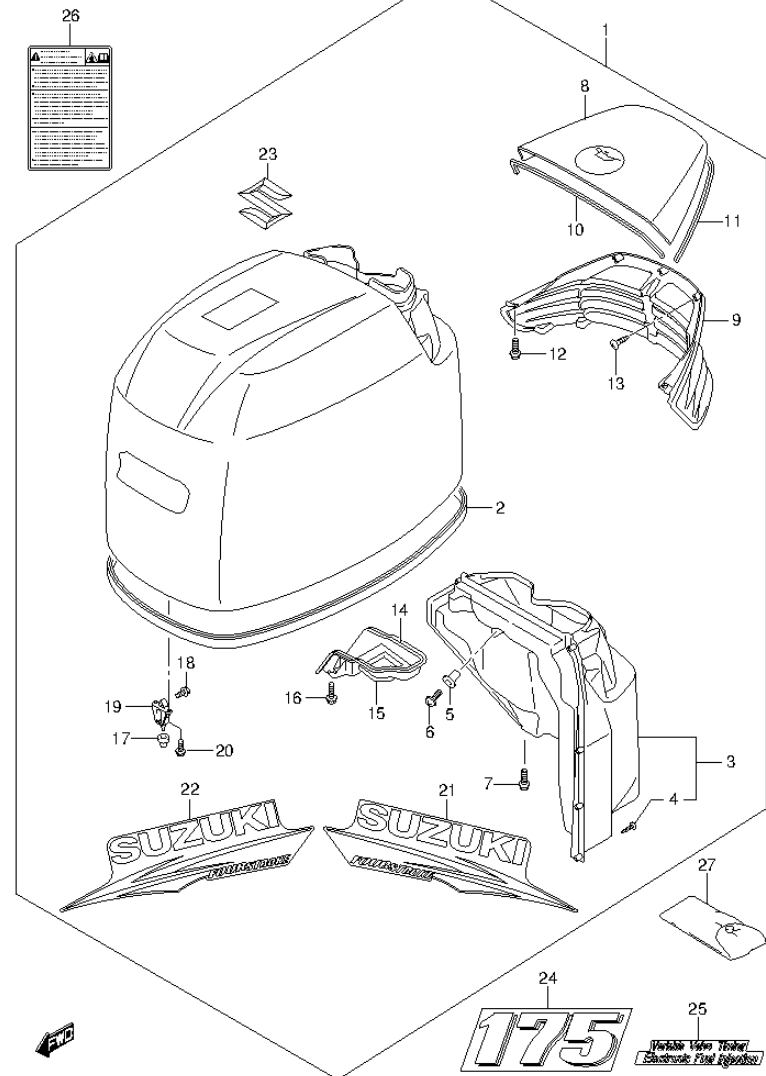


FIG.131A (2-E-5) ENGINE COVER (DF175T E1:Y5S)

REF NO.	PART NO.	DESCRIPTION	Q'TY	REMARKS
1	61410-96880-Y5S	COVER SET, ENGINE (BLACK)	1	
2	61112-96J10	.SEAL, ENGINE COVER	1	
3	61430-96J10	.GUIDE ASSY, AIR INTK INNER	1	
4	03542-05169	..SCREW	8	
5	09159-05019	.NUT	2	
6	02142-05167	.SCREW	2	
7	01550-06167	.BOLT	2	
8	61431-96J20-Y5S	.HANDLE, TILT UP (BLACK)	1	
9	61432-96J11	.LOUVER, TILT UP HANDLE	1	
10	61438-96J10	.SEAL, TILT UP HANDLE NO.1	1	
11	61439-96J10	.SEAL, TILT UP HANDLE NO.2	1	
12	01550-06167	.BOLT	5	
13	03542-05169	.SCREW	8	
14	61475-96J10	.GUIDE, AIR VENT	1	
15	61476-96J10	.SEAL, AIR VENT	1	
16	01550-06167	.BOLT	2	
17	09329-10022	.CUSHION	3	
18	01550-06127	.BOLT	3	
19	61621-93J00	.BRACKET, FASTENER	3	
20	01547-06167	.BOLT	6	
21	61443-96J30	.STRIPE, ENGINE COVER STBD	1	
22	61453-96J30	.STRIPE, ENGINE COVER PORT	1	
23	77811-54GC0-0PG	.EMBLEM (S) (CHROME)	1	
24	61435-96J50	MARK, EMBLEM (175)	2	
25	61446-93J40	DECAL, EFI & VVT	1	
26	61458-99E70	LABEL, ENGINE COVER	1	
27	09800-81840	TOOL SET	1	

FIG.132

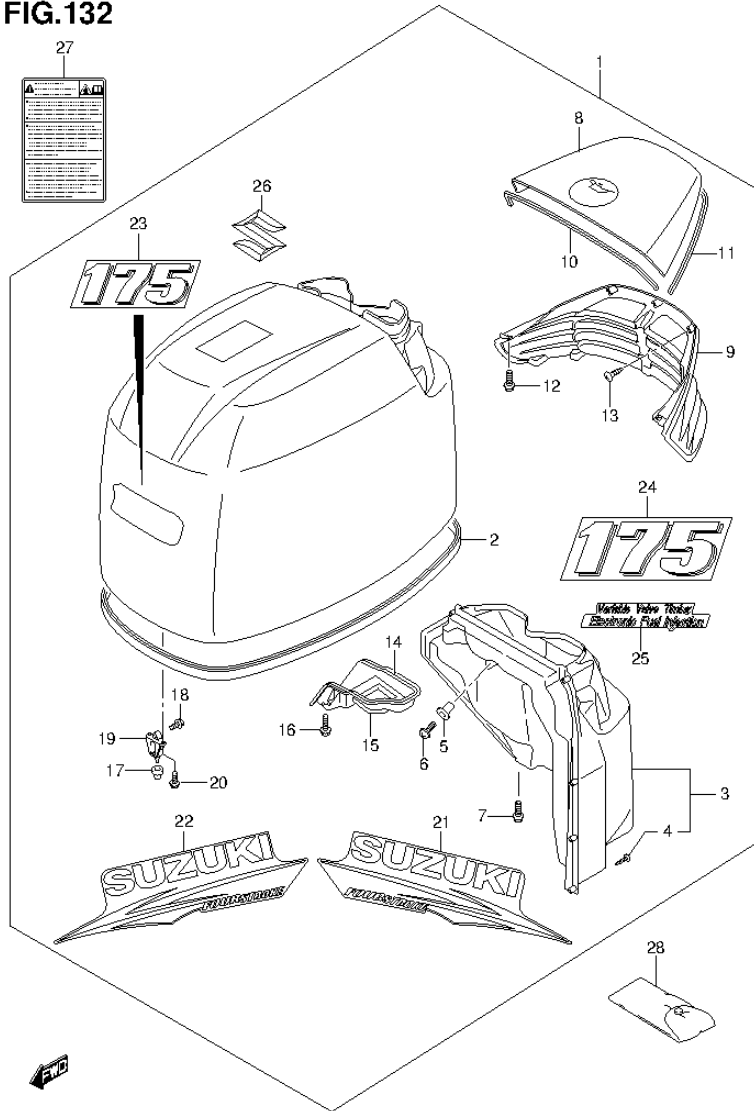


FIG.132 (2-E-6) ENGINE COVER (DF175T E40)

REF NO.	PART NO.	DESCRIPTION	Q'TY	REMARKS
1	61410-96865-0EP	COVER SET, ENGINE (BLACK)	1	
2	61112-96J10	.SEAL, ENGINE COVER	1	
3	61430-96J10	.GUIDE ASSY, AIR INTK INNER	1	
4	03542-05169	..SCREW	8	
5	09159-05019	.NUT	2	
6	02142-05167	.SCREW	2	
7	01550-06167	.BOLT	2	
8	61431-96J20-0EP	.HANDLE, TILT UP (BLACK)	1	
9	61432-96J11	.LOUVER, TILT UP HANDLE	1	
10	61438-96J10	.SEAL, TILT UP HANDLE NO.1	1	
11	61439-96J10	.SEAL, TILT UP HANDLE NO.2	1	
12	01550-06167	.BOLT	5	
13	03542-05169	.SCREW	8	
14	61475-96J10	.GUIDE, AIR VENT	1	
15	61476-96J10	.SEAL, AIR VENT	1	
16	01550-06167	.BOLT	2	
17	09329-10022	.CUSHION	3	
18	01550-06127	.BOLT	3	
19	61621-93J00	.BRACKET, FASTENER	3	
20	01547-06167	.BOLT	6	
21	61443-96J22	.STRIPE, ENGINE COVER STBD	1	
22	61453-96J22	.STRIPE, ENGINE COVER PORT	1	
23	61422-96J52	.MARK, EMBLEM FRONT (175)	1	
24	61435-96J32	.MARK, EMBLEM REAR (175)	1	
25	61446-93J32	.DECAL, EFI & VVT	1	
26	77811-54GC0-0PG	.EMBLEM (S) (CHROME)	1	
27	61458-99E70	LABEL, ENGINE COVER	1	
28	09800-81840	TOOL SET	1	

FIG.133

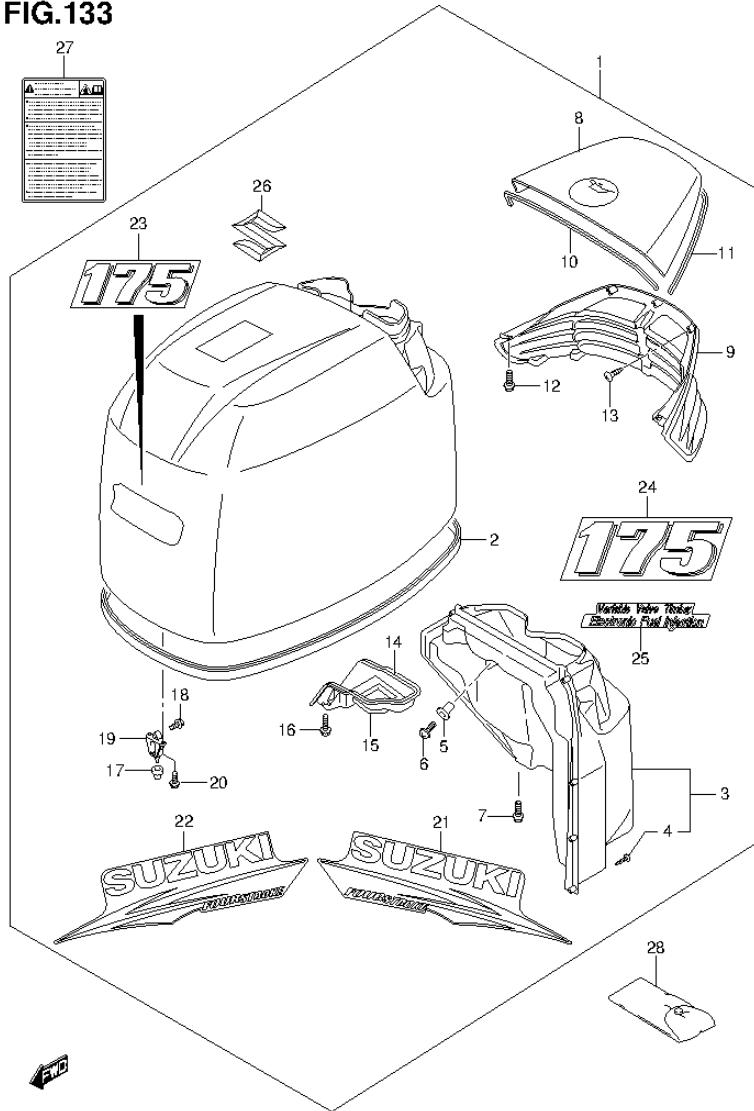


FIG.133 (2-E-7) ENGINE COVER (DF175Z E1:0EP)

REF NO.	PART NO.	DESCRIPTION	Q'TY	REMARKS
1	61410-96865-0EP	COVER SET, ENGINE (BLACK)	1	
2	61112-96J10	.SEAL, ENGINE COVER	1	
3	61430-96J10	.GUIDE ASSY, AIR INTK INNER	1	
4	03542-05169	.SCREW	8	
5	09159-05019	.NUT	2	
6	02142-05167	.SCREW	2	
7	01550-06167	.BOLT	2	
8	61431-96J20-0EP	.HANDLE, TILT UP (BLACK)	1	
9	61432-96J11	.LOUVER, TILT UP HANDLE	1	
10	61438-96J10	.SEAL, TILT UP HANDLE NO.1	1	
11	61439-96J10	.SEAL, TILT UP HANDLE NO.2	1	
12	01550-06167	.BOLT	5	
13	03542-05169	.SCREW	8	
14	61475-96J10	.GUIDE, AIR VENT	1	
15	61476-96J10	.SEAL, AIR VENT	1	
16	01550-06167	.BOLT	2	
17	09329-10022	.CUSHION	3	
18	01550-06127	.BOLT	3	
19	61621-93J00	.BRACKET, FASTENER	3	
20	01547-06167	.BOLT	6	
21	61443-96J22	.STRIPE, ENGINE COVER STBD	1	
22	61453-96J22	.STRIPE, ENGINE COVER PORT	1	
23	61422-96J52	.MARK, EMBLEM FRONT (175)	1	
24	61435-96J32	.MARK, EMBLEM REAR (175)	1	
25	61446-93J32	.DECAL, EFI & VVT	1	
26	77811-54GC0-0PG	.EMBLEM (S) (CHROME)	1	
27	61458-99E70	LABEL, ENGINE COVER	1	
28	09800-81840	TOOL SET	1	



FIG.133A

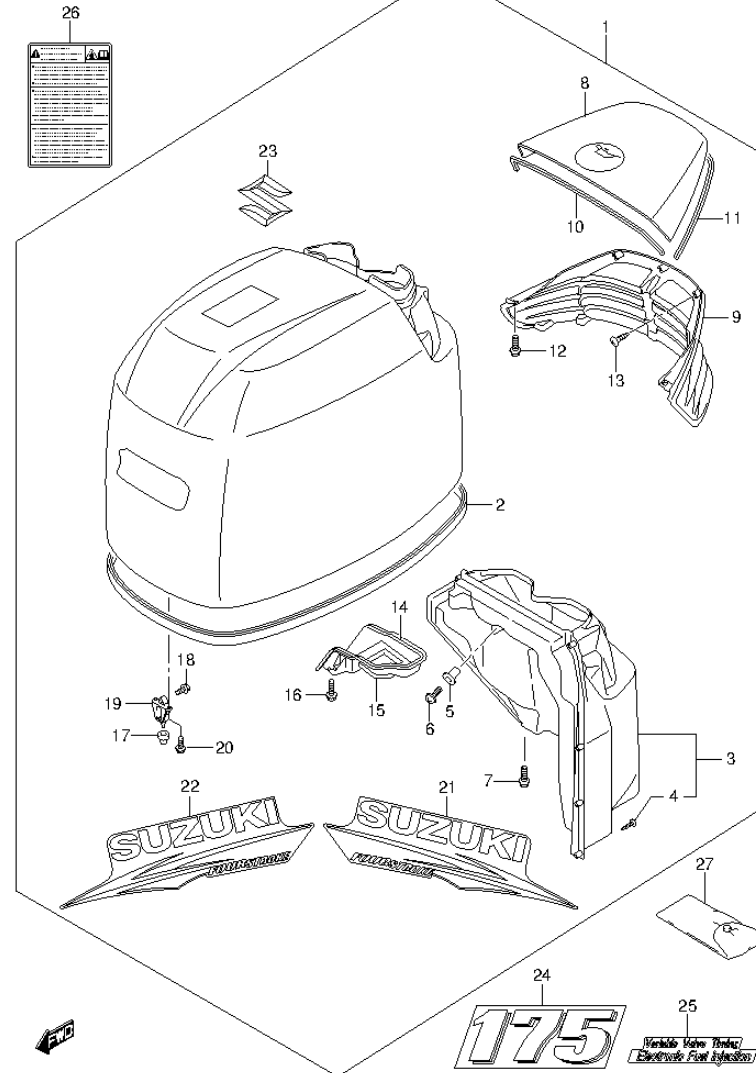


FIG.133A (2-E-8) ENGINE COVER (DF175Z E1:Y5S)

REF NO.	PART NO.	DESCRIPTION	Q'TY	REMARKS
1	61410-96880-Y5S	COVER SET, ENGINE (WHITE)	1	
2	61112-96J10	.SEAL, ENGINE COVER	1	
3	61430-96J10	.GUIDE ASSY, AIR INTK INNER	1	
4	03542-05169	.SCREW	8	
5	09159-05019	.NUT	2	
6	02142-05167	.SCREW	2	
7	01550-06167	.BOLT	2	
8	61431-96J20-Y5S	.HANDLE, TILT UP (WHITE)	1	
9	61432-96J11	.LOUVER, TILT UP HANDLE	1	
10	61438-96J10	.SEAL, TILT UP HANDLE NO.1	1	
11	61439-96J10	.SEAL, TILT UP HANDLE NO.2	1	
12	01550-06167	.BOLT	5	
13	03542-05169	.SCREW	8	
14	61475-96J10	.GUIDE, AIR VENT	1	
15	61476-96J10	.SEAL, AIR VENT	1	
16	01550-06167	.BOLT	2	
17	09329-10022	.CUSHION	3	
18	01550-06127	.BOLT	3	
19	61621-93J00	.BRACKET, FASTENER	3	
20	01547-06167	.BOLT	6	
21	61443-96J30	.STRIPE, ENGINE COVER STBD	1	
22	61453-96J30	.STRIPE, ENGINE COVER PORT	1	
23	77811-54GC0-0PG	.EMBLEM (S) (CHROME)	1	
24	61435-96J50	MARK, EMBLEM (175)	2	
25	61446-93J40	DECAL, EFI & VVT	1	
26	61458-99E70	LABEL, ENGINE COVER	1	
27	09800-81840	TOOL SET	1	

FIG.134

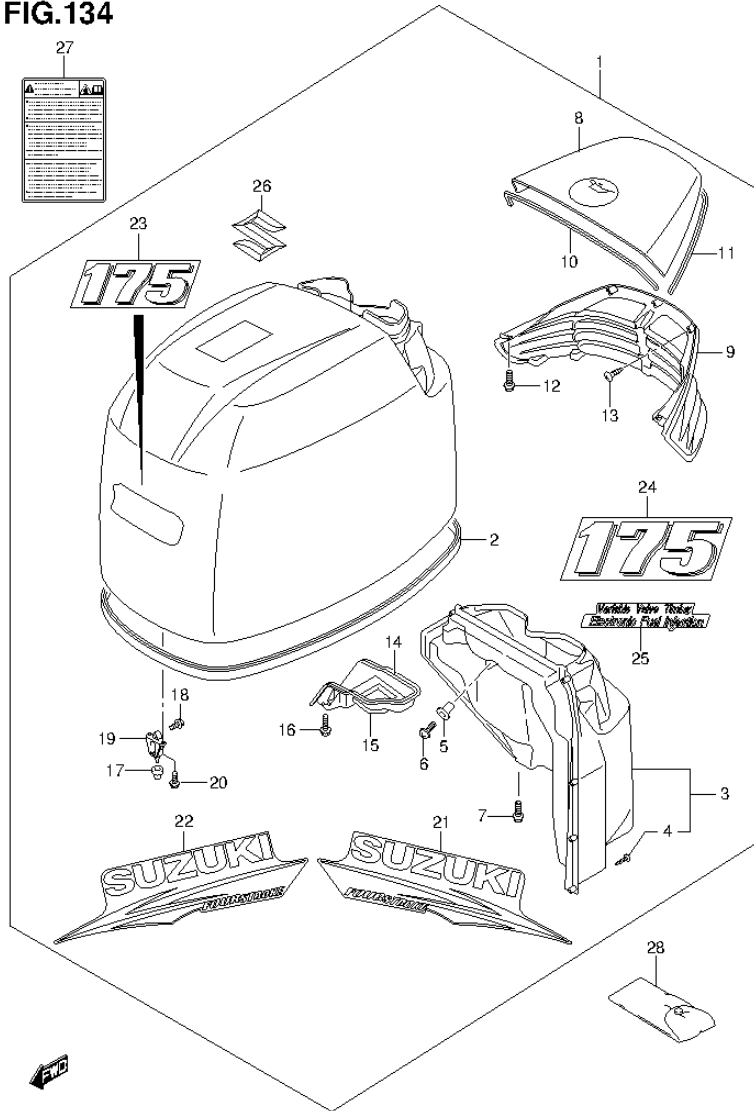
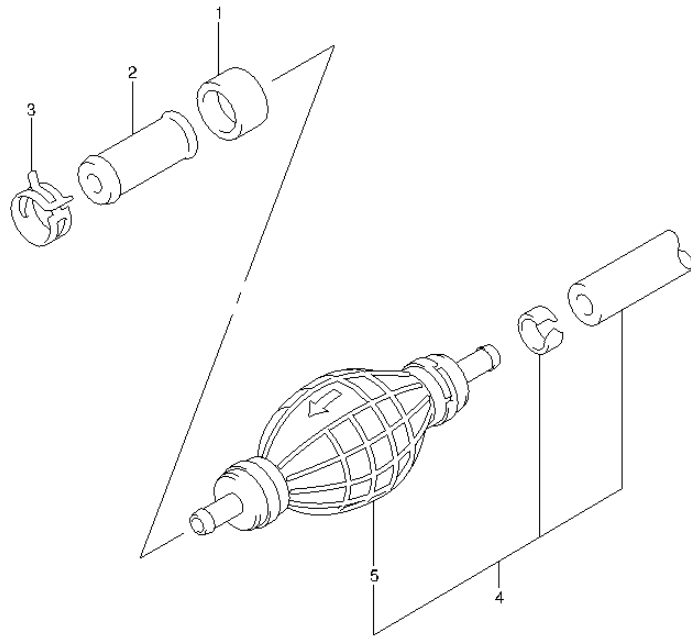


FIG.134 (2-E-9) ENGINE COVER (DF175Z E40)

REF NO.	PART NO.	DESCRIPTION	Q'TY	REMARKS
1	61410-96865-0EP	COVER SET, ENGINE (BLACK)	1	
2	61112-96J10	.SEAL, ENGINE COVER	1	
3	61430-96J10	.GUIDE ASSY, AIR INTK INNER	1	
4	03542-05169	.SCREW	8	
5	09159-05019	.NUT	2	
6	02142-05167	.SCREW	2	
7	01550-06167	.BOLT	2	
8	61431-96J20-0EP	.HANDLE, TILT UP (BLACK)	1	
9	61432-96J11	.LOUVER, TILT UP HANDLE	1	
10	61438-96J10	.SEAL, TILT UP HANDLE NO.1	1	
11	61439-96J10	.SEAL, TILT UP HANDLE NO.2	1	
12	01550-06167	.BOLT	5	
13	03542-05169	.SCREW	8	
14	61475-96J10	.GUIDE, AIR VENT	1	
15	61476-96J10	.SEAL, AIR VENT	1	
16	01550-06167	.BOLT	2	
17	09329-10022	.CUSHION	3	
18	01550-06127	.BOLT	3	
19	61621-93J00	.BRACKET, FASTENER	3	
20	01547-06167	.BOLT	6	
21	61443-96J22	.STRIPE, ENGINE COVER STBD	1	
22	61453-96J22	.STRIPE, ENGINE COVER PORT	1	
23	61422-96J52	.MARK, EMBLEM FRONT (175)	1	
24	61435-96J32	.MARK, EMBLEM REAR (175)	1	
25	61446-93J32	.DECAL, EFI & VVT	1	
26	77811-54GC0-0PG	.EMBLEM (S) (CHROME)	1	
27	61458-99E70	LABEL, ENGINE COVER	1	
28	09800-81840	TOOL SET	1	

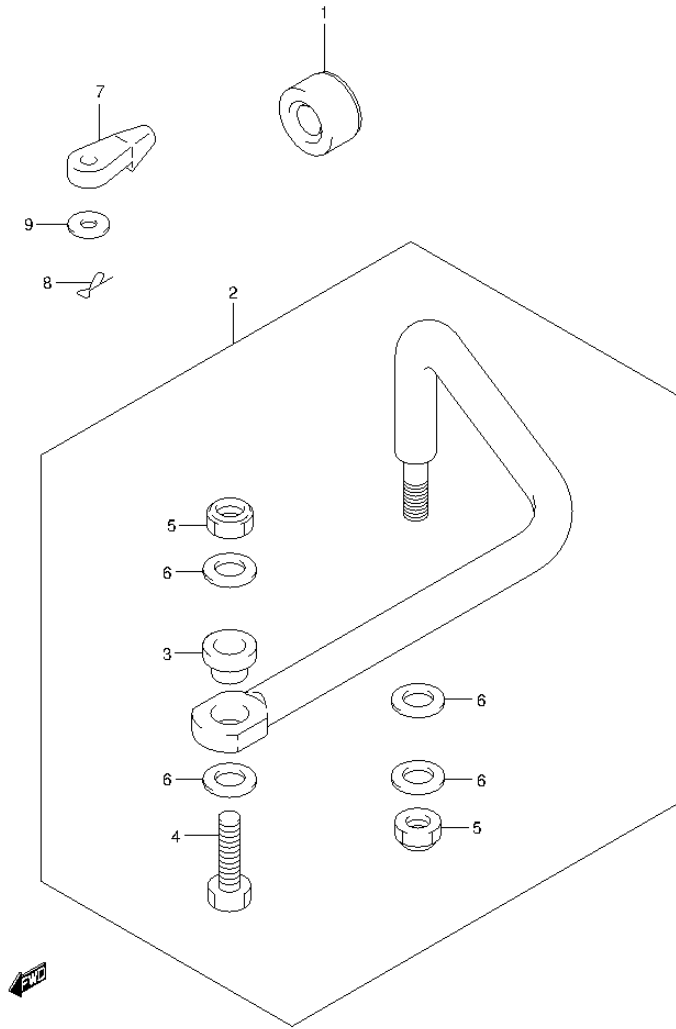
**FIG.135**



**FIG.135 (2-E-10) FUEL HOSE**

REF NO.	PART NO.	DESCRIPTION	Q'TY	REMARKS
1	09251-09002	CAP (OD:13.6)	1	
2	09367-10001	JOINT	1	
3	09401-13423	CLIP	2	
4	65700-93J02	HOSE, FUEL (TANK TO CONN)	1	
5	65770-93J11	.PUMP, SQUEEZE	1	

**FIG.136**



**FIG.136 (2-E-11) DRAG LINK**

REF NO.	PART NO.	DESCRIPTION	Q'TY	REMARKS
1	41161-94400	SEAL, STEERING CABLE	1	
2	67701-96J00	LINK ASSY, DRAG	1	
3	67721-96J00	.SPACER	1	
4	67725-96J00	.BOLT, DRAG LINK	1	
5	67726-99E00	.NUT	2	
6	67728-99E00	.WASHER	4	
7	67467-89J01	CONNECTOR, REMOCON CABLE	2	
8	09385-06012	CLIP	2	
9	09160-06055	WASHER (7X12X1)	2	
10	67700-96J00	LINK SET, DRAG (7X12X1.0)	1	OPT NOT ILLUSTRATED

FIG.137

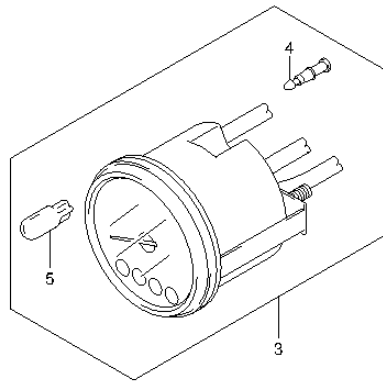
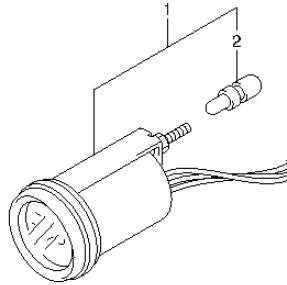


FIG.137 (2-E-12) METER

REF NO.	PART NO.	DESCRIPTION	Q'TY	REMARKS
1-1	34800-93J00	METER ASSY, TRIM	1	BLACK
1-2	34800-93J11	METER ASSY, TRIM	1	WHITE
2	09471-12103	.BULB (12V,3.4W)	1	
3-1	34200-93J00	TACHOMETER ASSY, WITH MONITOR	1	BLACK
3-2	34200-93J11	TACHOMETER ASSY, WITH MONITOR	1	WHITE
4	36615-96300	.TERMINAL, RESIN	4	
5	09471-12077	.BULB (12V,1.7W)	1	

FIG.138

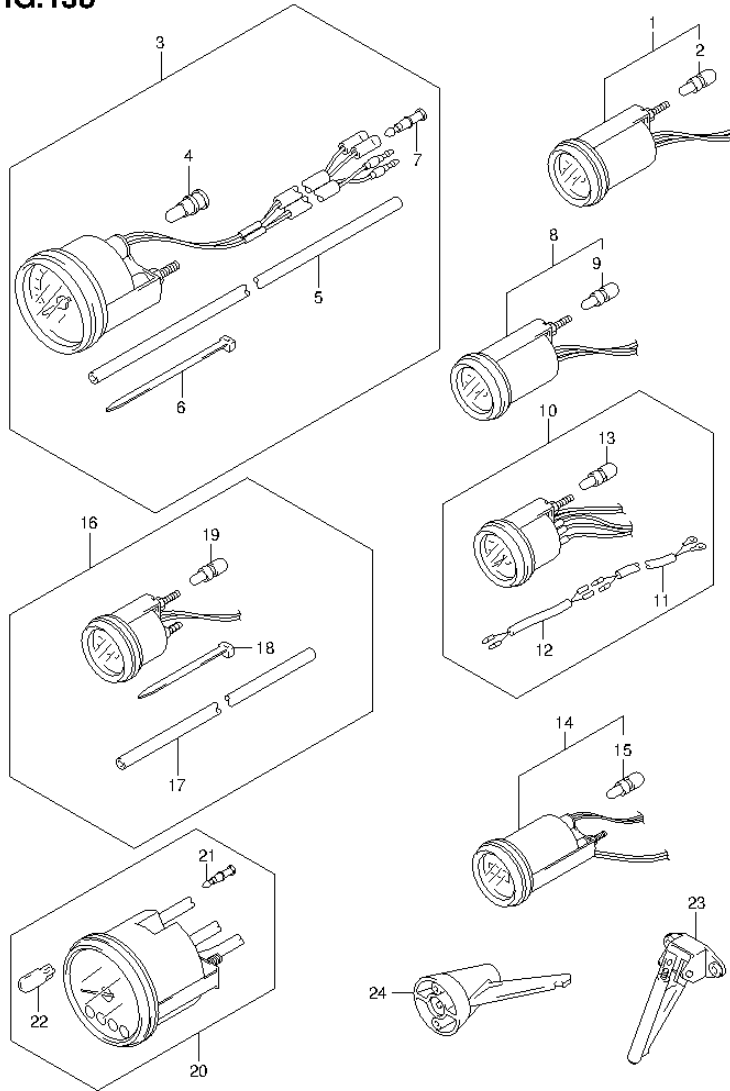


FIG.138 (2-E-13) OPT:METER (1)

REF NO.	PART NO.	DESCRIPTION	Q'TY	REMARKS
1-1	34800-93J00	METER ASSY, TRIM	1	BLACK
1-2	34800-93J11	METER ASSY, TRIM	1	WHITE
2	09471-12103	.BULB (12V,3.4W)	1	
3-1	34100-93J00	SPEEDOMETER ASSY	1	MAX 130KM/H BLACK
3-2	34100-93J11	SPEEDOMETER ASSY	1	MAX 130KM/H WHITE
3-3	34100-93J20	SPEEDOMETER ASSY	1	MAX 80KM/H BLACK
3-4	34100-93J31	SPEEDOMETER ASSY	1	MAX 80KM/H WHITE
3-5	34100-93J40	SPEEDOMETER ASSY	1	MAX 45KNOTS BLACK
3-6	34100-93J51	SPEEDOMETER ASSY	1	MAX 45KNOTS WHITE
3-7	34100-93J60	SPEEDOMETER ASSY	1	MAX 65KNOTS WHITE
4	09471-12028	.BULB (12V,3.4W)	1	
5	34191-92E00	.TUBE	1	
6	09407-14407	.CLAMP (L:145)	2	
7	36615-96300	.TERMINAL, RESIN	2	
8-1	34600-93J00	METER ASSY, VOLTAGE	1	BLACK
8-2	34600-93J11	METER ASSY, VOLTAGE	1	WHITE
9	09471-12103	.BULB (12V,3.4W)	1	
10-1	34300-93J00	GAUGE ASSY, FUEL	1	BLACK
10-2	34300-93J11	GAUGE ASSY, FUEL	1	WHITE
11	34310-92E00	.LEAD, FUEL GAUGE	1	
12	34360-92E00	.ADAPTER, FUEL GAUGE	1	
13	09471-12103	.BULB (12V,3.4W)	1	
14-1	34500-93J00	METER ASSY, HOUR	1	BLACK
14-2	34500-93J11	METER ASSY, HOUR	1	WHITE
15	09471-12103	.BULB (12V,3.4W)	1	
16-1	34650-93J20	GAUGE ASSY, WATER PRESSURE	1	15PSI BLACK
16-2	34650-93J31	GAUGE ASSY, WATER PRESSURE	1	15PSI WHITE
17	34191-92E00	.TUBE	1	
18	09407-14407	.CLAMP (L:145)	2	
19	09471-12103	.BULB (12V,3.4W)	1	
20-1	34200-93J00	TACHOMETER ASSY, WITH MONITOR	1	BLACK
20-2	34200-93J11	TACHOMETER ASSY, WITH MONITOR	1	WHITE
21	36615-96300	.TERMINAL, RESIN	4	
22	09471-12077	.BULB (12V,1.7W)	1	

FIG.138

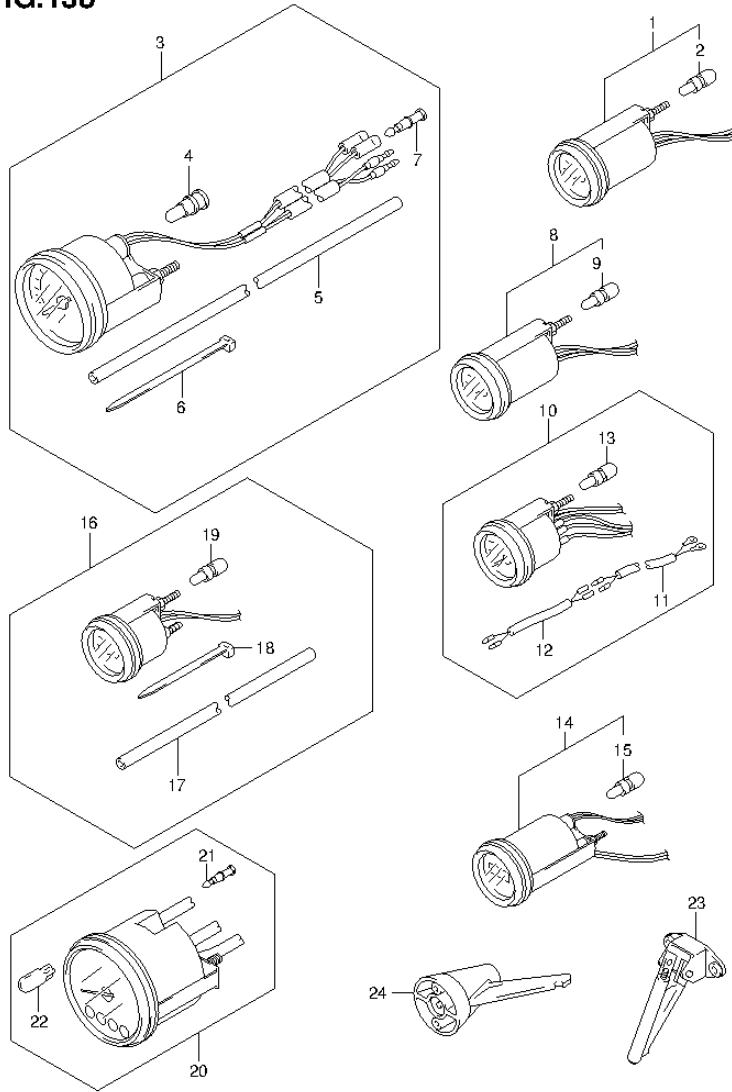


FIG.138 (2-E-14) OPT:METER (1)

REF NO.	PART NO.	DESCRIPTION	Q'TY	REMARKS
23	34190-87D00	SENDER ASSY, SPEEDOMETER	1	
24	34190-95500	SENDER ASSY, SPEEDOMETER	1	

FIG.139

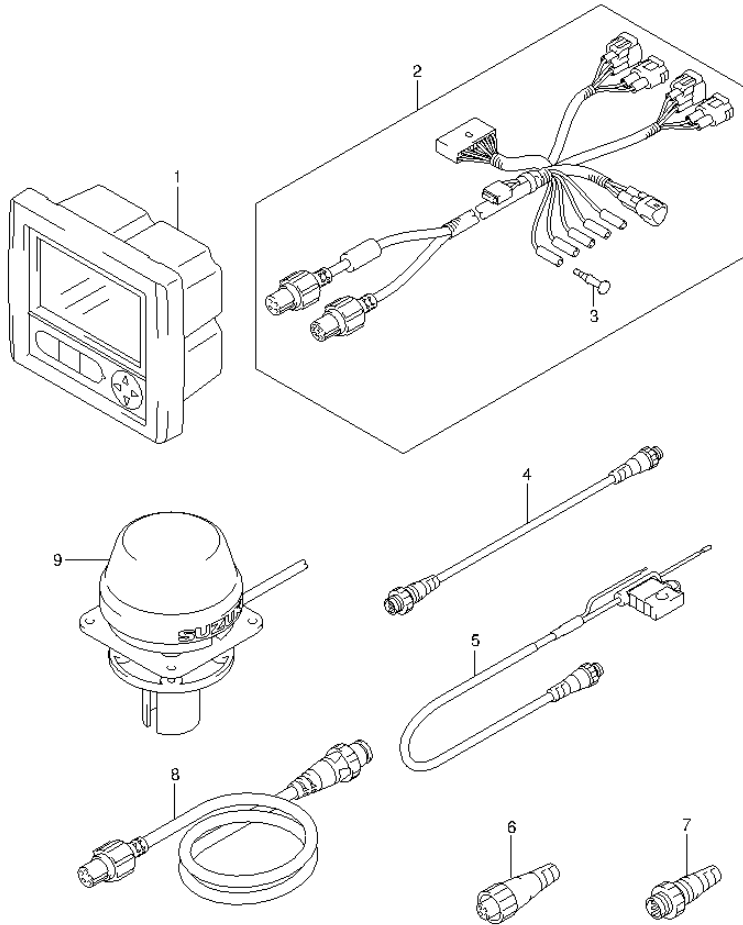


FIG.139 (2-E-15) OPT:METER (2)

REF NO.	PART NO.	DESCRIPTION	Q'TY	REMARKS
1	34200-87L11	GAUGE ASSY, MULTI	1	
2	36661-87L00	ADAPTER, GAUGE	1	
3	36615-96300	.TERMINAL, RESIN	5	
4	36662-88L00	WIRE, EXTENSION	1	
5	36663-88L00	HARNESS ASSY, NETWORK POWER	1	
6	36665-88L00	UNIT, RESISTOR FEMALE	1	
7	36665-88L10	UNIT, RESISTOR MALE	1	
8	36666-87L00	WIRE, NETWORK	1	
9	39950-87L00	MODULE ASSY, GPS RECEIVER	1	



FIG.140

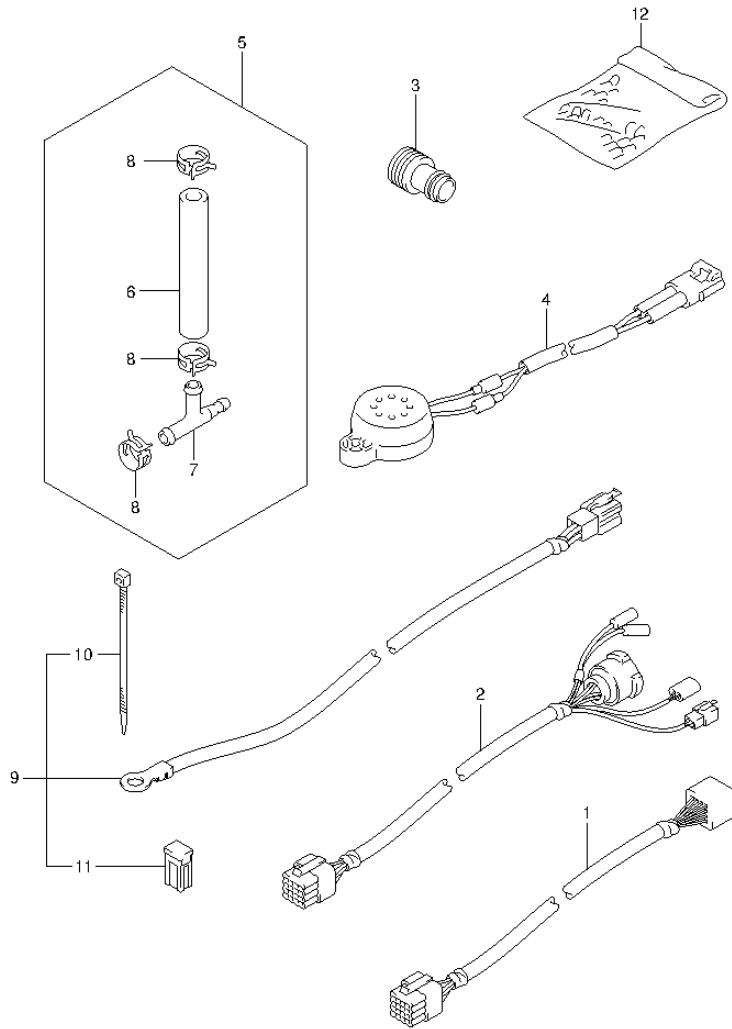


FIG.140 (2-F-2) OPT:HARNESS (1) (DF150T E1)

REF NO.	PART NO.	DESCRIPTION	Q'TY	REMARKS
1-1	36620-93J10	WIRE ASSY, REMOCON EXTENSION	1	L:2000
1-2	36620-93J40	WIRE ASSY, REMOCON EXTENSION	1	L:3000
2	36620-93J30	WIRE ASSY, REMOCON ADAPTER NO.2	1	
3	17917-87L00	CONNECTOR, FLUSH WATER	1	
4	38500-93J00	BUZZER ASSY, WARNING	1	
5	34660-96J00	KIT, WATER PRESS GAUGE	1	
6	09352-50903-600	.HOSE (5X9X600)	1	L:600->70
7	09367-06006	.3 WAY	1	
8	09401-08413	.CLIP	3	
9	33830-96J00	SET, BATTERY ISOLATOR LEAD	1	
10	09407-10404	.CLAMP (L:100)	2	
11	09481-30401	.FUSE (30A)	1	
12	36990-87D00	TERMINAL SET, WITH SLEEVE	1	



FIG.142

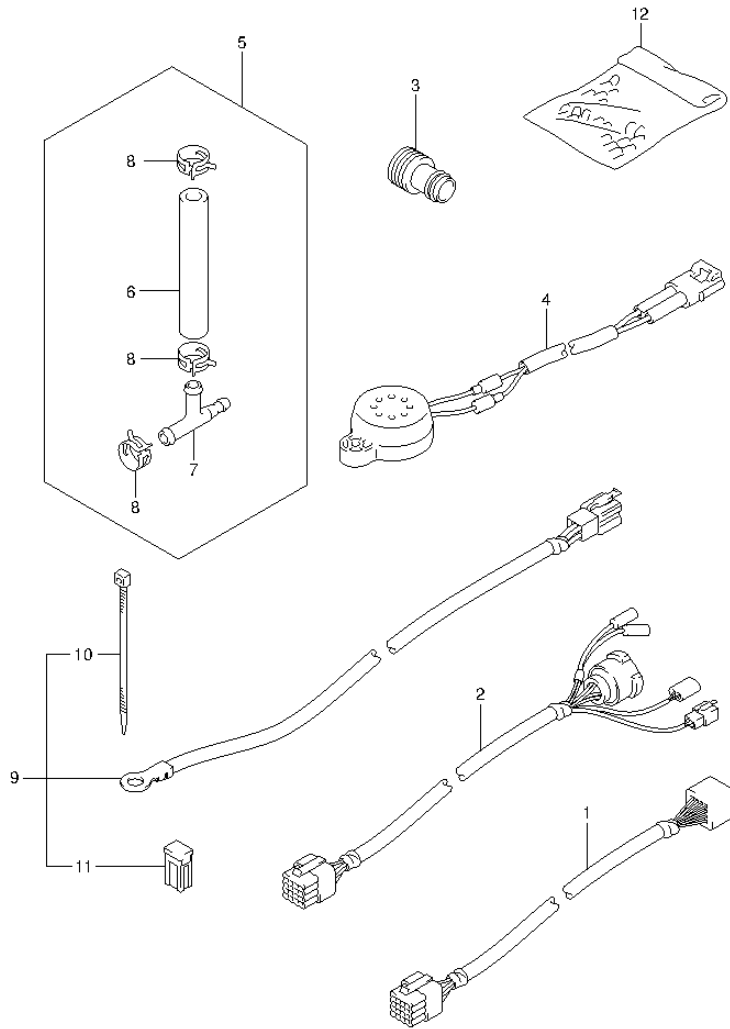


FIG.142 (2-F-4) OPT:HARNESS (1) (DF150Z E1)

REF NO.	PART NO.	DESCRIPTION	Q'TY	REMARKS
1-1	36620-93J10	WIRE ASSY, REMOCON EXTENSION	1	L:2000
1-2	36620-93J40	WIRE ASSY, REMOCON EXTENSION	1	L:3000
2	36620-93J30	WIRE ASSY, REMOCON ADAPTER NO.2	1	
3	17917-87L00	CONNECTOR, FLUSH WATER	1	
4	38500-93J00	BUZZER ASSY, WARNING	1	
5	34660-96J00	KIT, WATER PRESS GAUGE	1	
6	09352-50903-600	.HOSE (5X9X600)	1	L:600->70
7	09367-06006	.3 WAY	1	
8	09401-08413	.CLIP	3	
9	33830-96J00	SET, BATTERY ISOLATOR LEAD	1	
10	09407-10404	.CLAMP (L:100)	2	
11	09481-30401	.FUSE (30A)	1	
12	36990-87D00	TERMINAL SET, WITH SLEEVE	1	

FIG.143

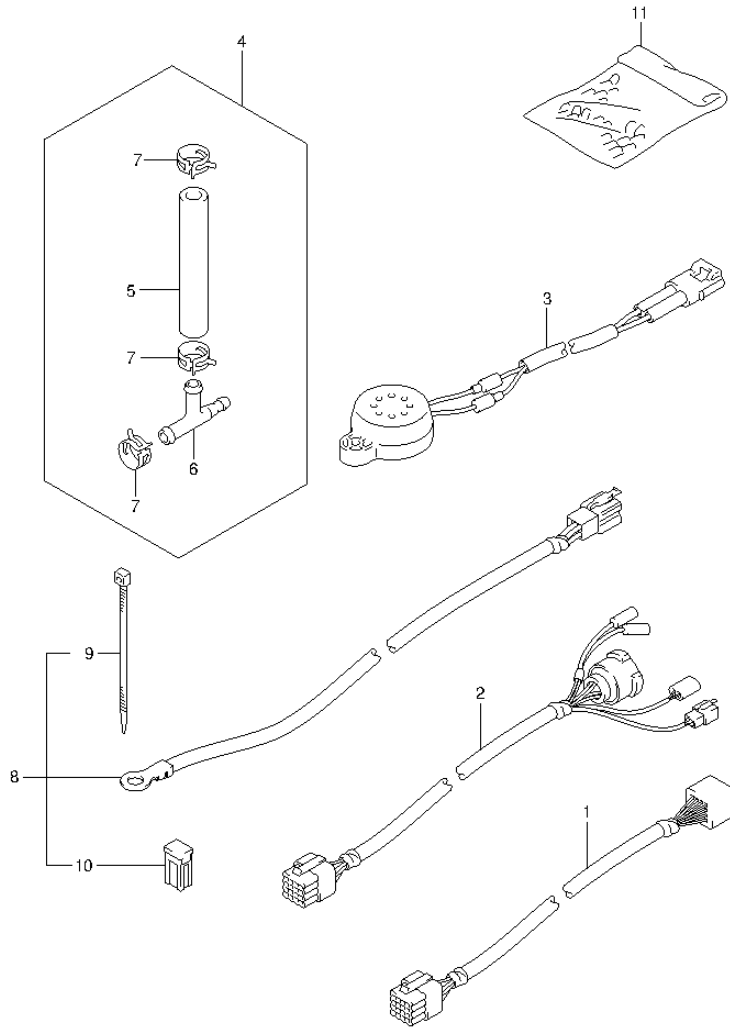


FIG.143 (2-F-5) OPT:HARNESS (1) (DF150Z E40)

REF NO.	PART NO.	DESCRIPTION	Q'TY	REMARKS
1-1	36620-93J10	WIRE ASSY, REMOCON EXTENSION	1	L:2000
1-2	36620-93J40	WIRE ASSY, REMOCON EXTENSION	1	L:3000
2	36620-93J30	WIRE ASSY, REMOCON ADAPTER NO.2	1	
3	38500-93J00	BUZZER ASSY, WARNING	1	
4	34660-96J00	KIT, WATER PRESS GAUGE	1	
5	09352-50903-600	.HOSE (5X9X600)	1	L:600->70
6	09367-06006	.3 WAY	1	
7	09401-08413	.CLIP	3	
8	33830-96J00	SET, BATTERY ISOLATOR LEAD	1	
9	09407-10404	.CLAMP (L:100)	2	
10	09481-30401	.FUSE (30A)	1	
11	36990-87D00	TERMINAL SET, WITH SLEEVE	1	

FIG.144

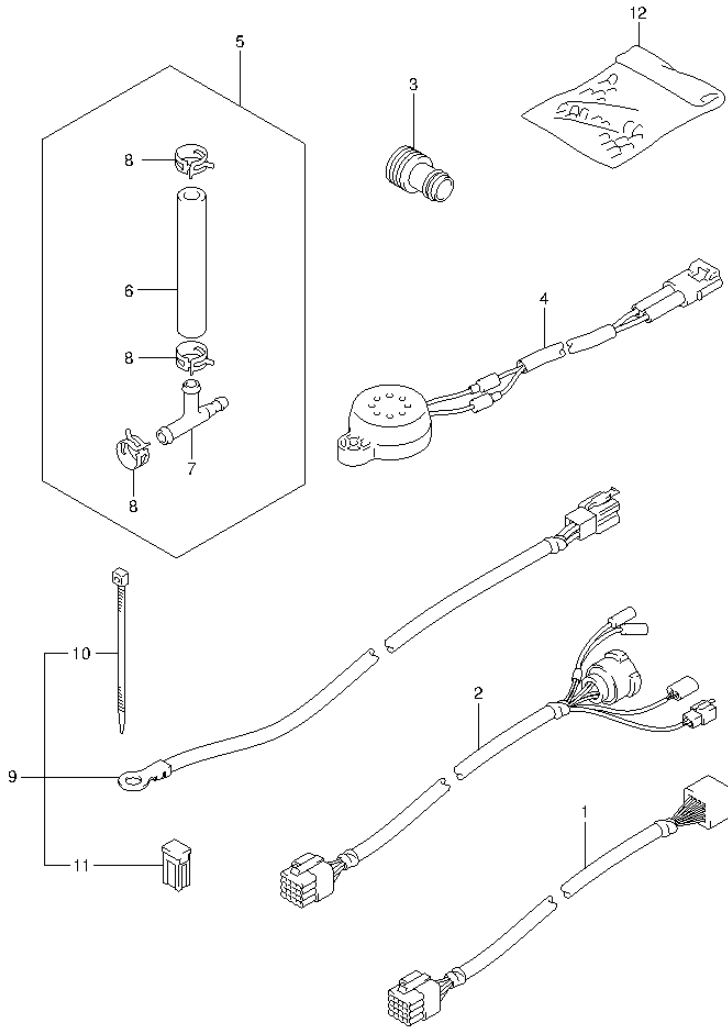


FIG.144 (2-F-6) OPT:HARNESS (1) (DF175T E1)

REF NO.	PART NO.	DESCRIPTION	Q'TY	REMARKS
1-1	36620-93J10	WIRE ASSY, REMOCON EXTENSION	1	L:2000
1-2	36620-93J40	WIRE ASSY, REMOCON EXTENSION	1	L:3000
2	36620-93J30	WIRE ASSY, REMOCON ADAPTER NO.2	1	
3	17917-87L00	CONNECTOR, FLUSH WATER	1	
4	38500-93J00	BUZZER ASSY, WARNING	1	
5	34660-96J00	KIT, WATER PRESS GAUGE	1	
6	09352-50903-600	.HOSE (5X9X600)	1	L:600->70
7	09367-06006	.3 WAY	1	
8	09401-08413	.CLIP	3	
9	33830-96J00	SET, BATTERY ISOLATOR LEAD	1	
10	09407-10404	.CLAMP (L:100)	2	
11	09481-30401	.FUSE (30A)	1	
12	36990-87D00	TERMINAL SET, WITH SLEEVE	1	



FIG.146

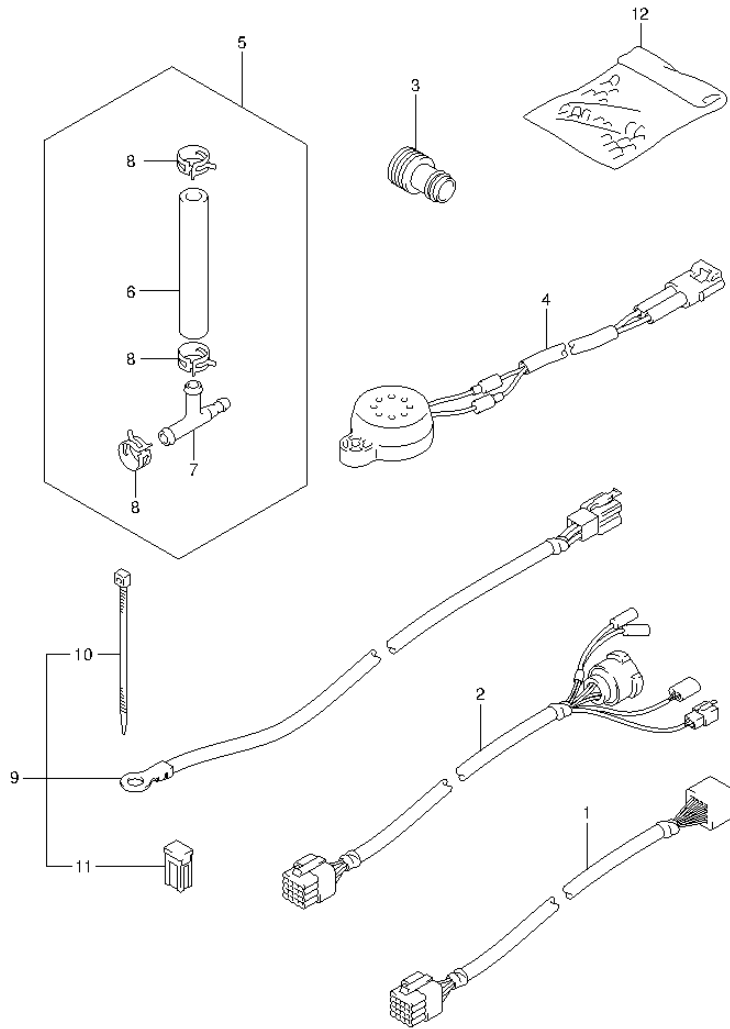


FIG.146 (2-F-8) OPT:HARNESS (1) (DF175Z E1)

REF NO.	PART NO.	DESCRIPTION	Q'TY	REMARKS
1-1	36620-93J10	WIRE ASSY, REMOCON EXTENSION	1	L:2000
1-2	36620-93J40	WIRE ASSY, REMOCON EXTENSION	1	L:3000
2	36620-93J30	WIRE ASSY, REMOCON ADAPTER NO.2	1	
3	17917-87L00	CONNECTOR, FLUSH WATER	1	
4	38500-93J00	BUZZER ASSY, WARNING	1	
5	34660-96J00	KIT, WATER PRESS GAUGE	1	
6	09352-50903-600	.HOSE (5X9X600)	1	L:600->70
7	09367-06006	.3 WAY	1	
8	09401-08413	.CLIP	3	
9	33830-96J00	SET, BATTERY ISOLATOR LEAD	1	
10	09407-10404	.CLAMP (L:100)	2	
11	09481-30401	.FUSE (30A)	1	
12	36990-87D00	TERMINAL SET, WITH SLEEVE	1	





FIG.148

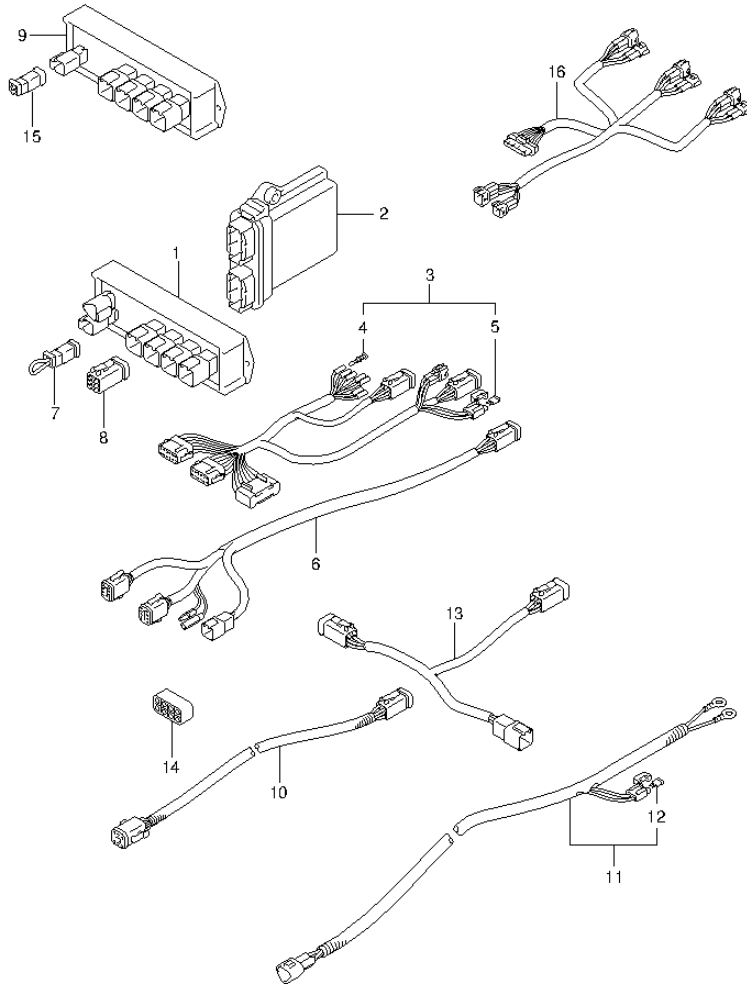


FIG.148 (2-F-10) OPT:HARNESS (2)

REF NO.	PART NO.	DESCRIPTION	Q'TY	REMARKS
1	34921-98J00	UNIT, ACTIVE HUB	1	
2	34922-98J02	UNIT, INTERFACE	1	
3	36661-98J00	HARNESS ASSY, INTERFACE UNIT	1	
4	36615-96300	.TERMINAL, RESIN	7	
5	09481-05501	.FUSE (5A)	1	
6	36664-98J00	HARNESS ASSY, 3" GAUGE	1	
7	36665-98J00	WIRE, JUMPER	1	
8	36666-98J10	CAP, 6 PIN CONNECTOR	2	
9	34921-98J10	UNIT, PASSIVE HUB	1	
10-1	36662-98J00	HARNESS ASSY, HUB S	1	L:1000
10-2	36662-98J10	HARNESS ASSY, HUB L	1	L:6500
11-1	36663-98J00	HARNESS ASSY, ACTIVE HUB PWR S	1	L:2500
11-2	36663-98J10	HARNESS ASSY, ACTIVE HUB PWR L	1	L:6000
12	09481-05501	.FUSE (5A)	1	
13	36664-98J10	HARNESS ASSY, 2" GAUGE	1	
14	36666-98J00	CAP, 8 PIN CONNECTOR	1	
15	36667-98J00	CAP, 2 PIN CONNECTOR	1	
16	36661-93J00	ADAPTER, INTERFACE MODULE	1	

FIG.149

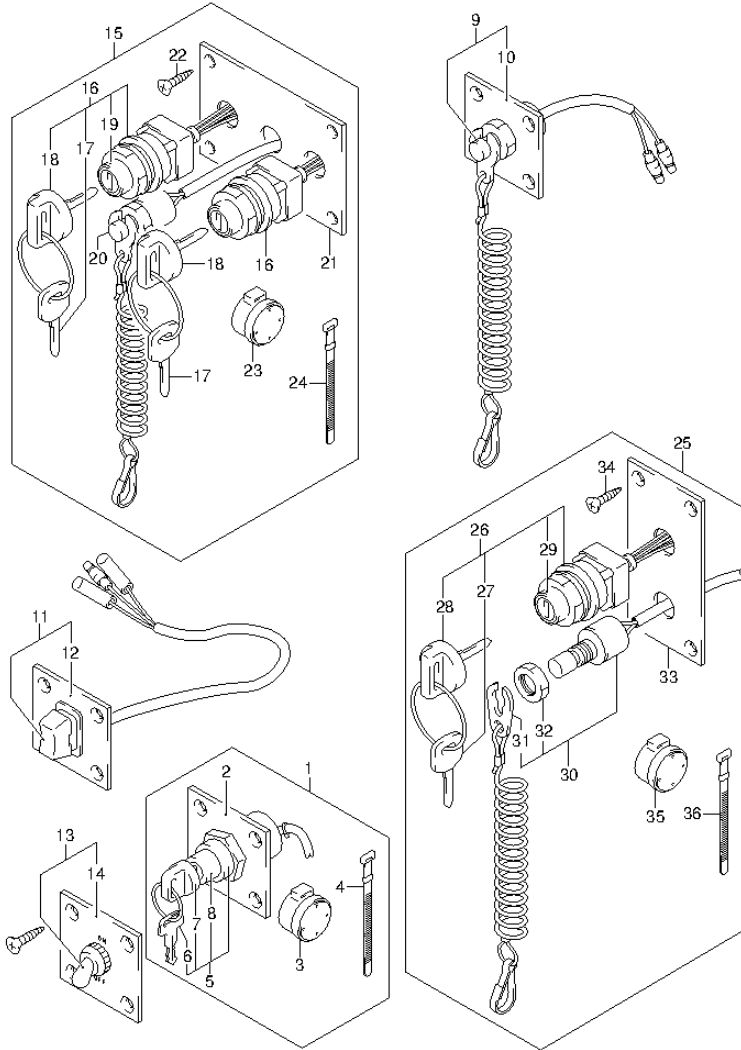


FIG.149 (2-F-11) OPT:SWITCH

REF NO.	PART NO.	DESCRIPTION	Q'TY	REMARKS
1	37100-96J00	PANEL ASSY, IGNITION SW	1	
2	37139-99E00	.PANEL, IGNITION SW	1	
3	38500-93J90	.BUZZER ASSY, WARNING	1	
4	09407-08401	.CLAMP (L:80)	1	
5	37110-93J01	.SWITCH ASSY, IGNITION	1	
6-1	37141-99E00	..KEY (931)	2	
6-2	37141-99E10	..KEY (932)	2	
6-3	37141-99E20	..KEY (933)	2	
6-4	37141-99E30	..KEY (934)	2	
6-5	37141-99E40	..KEY (935)	2	
6-6	37141-99E50	..KEY (936)	2	
6-7	37141-99E60	..KEY (937)	2	
6-8	37141-99E70	..KEY (938)	2	
6-9	37141-99E80	..KEY (939)	2	
6-10	37141-99E90	..KEY (940)	2	
6-11	37141-99EA0	..KEY (941)	2	
6-12	37141-99EB0	..KEY (942)	2	
7	37143-99E00	..CAP, KEY	2	
8	37149-93J00	..CAP, CYLINDER BODY	1	
9	37803-93J03	PANEL ASSY, EMERGENCY SW	1	
10	37825-99E00	.PANEL, EMERGENCY SW	1	
11	37805-93J00	PANEL ASSY, PTT SW	1	
12	37855-99E00	.PANEL, PTT SW	1	
13	37210-93J00	PANEL ASSY, LIGHTING SW	1	
14	37212-93J00	.PANEL, LIGHTING SW	1	
15	37100-96J13	PANEL ASSY, DUAL ENGINE SW	1	
16	37110-93J01	.SWITCH ASSY, IGNITION	2	
17-1	37141-99E00	..KEY (931)	4	
17-2	37141-99E10	..KEY (932)	4	
17-3	37141-99E20	..KEY (933)	4	
17-4	37141-99E30	..KEY (934)	4	
17-5	37141-99E40	..KEY (935)	4	
17-6	37141-99E50	..KEY (936)	4	
17-7	37141-99E60	..KEY (937)	4	

FIG.149

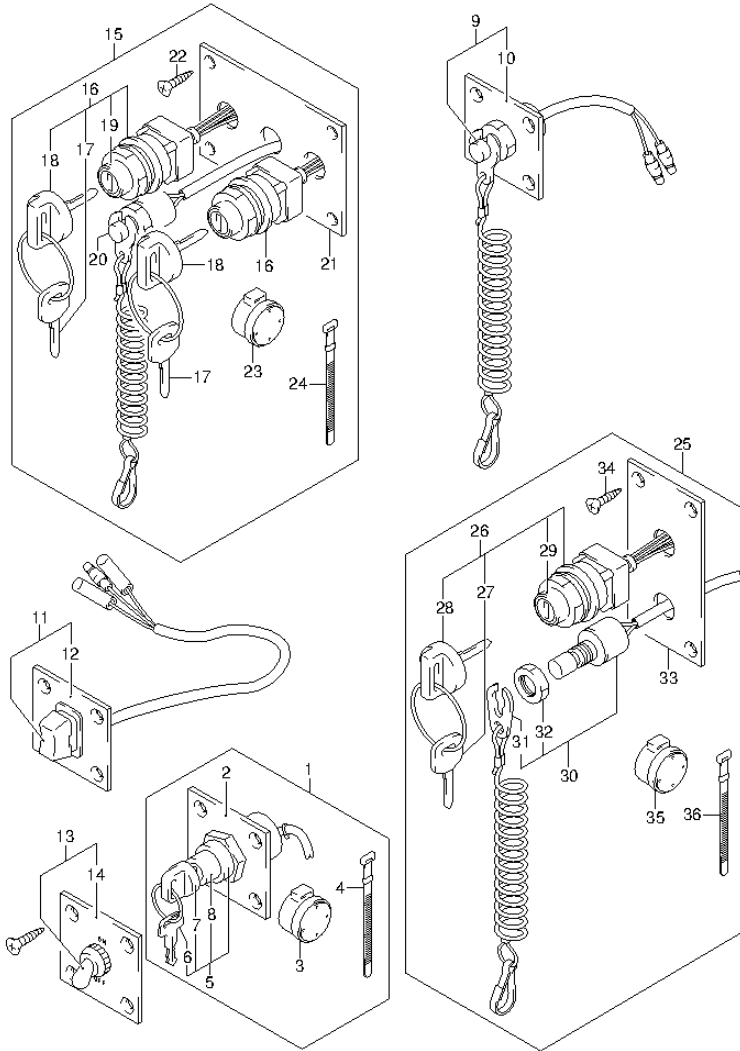


FIG.149 (2-F-12) OPT:SWITCH

REF NO.	PART NO.	DESCRIPTION	Q'TY	REMARKS
17-8	37141-99E70	..KEY (938)	4	
17-9	37141-99E80	..KEY (939)	4	
17-10	37141-99E90	..KEY (940)	4	
17-11	37141-99EA0	..KEY (941)	4	
17-12	37141-99EB0	..KEY (942)	4	
18	37143-99E00	..CAP, KEY	4	
19	37149-93J00	..CAP, CYLINDER BODY	2	
20	37820-93J93	..SWITCH ASSY, EMERGENCY	1	
21	37139-99E10	..PANEL	1	
22	03121-0516A	..SCREW	4	
23	38500-93J90	..BUZZER ASSY, WARNING	1	
24	09407-08401	..CLAMP (L:80)	1	
25	37100-96J23	PANEL ASSY, ENGINE SW	1	
26	37110-93J01	..SWITCH ASSY, IGNITION	1	
27-1	37141-99E00	..KEY (931)	2	
27-2	37141-99E10	..KEY (932)	2	
27-3	37141-99E20	..KEY (933)	2	
27-4	37141-99E30	..KEY (934)	2	
27-5	37141-99E40	..KEY (935)	2	
27-6	37141-99E50	..KEY (936)	2	
27-7	37141-99E60	..KEY (937)	2	
27-8	37141-99E70	..KEY (938)	2	
27-9	37141-99E80	..KEY (939)	2	
27-10	37141-99E90	..KEY (940)	2	
27-11	37141-99EA0	..KEY (941)	2	
27-12	37141-99EB0	..KEY (942)	2	
28	37143-99E00	..CAP, KEY	1	
29	37149-93J00	..CAP, CYLINDER BODY	1	
30	37820-93J03	..SWITCH ASSY, EMERGENCY	1	
31	37823-92E01	..PLATE ASSY, EMERGENCY SW LOCK	1	
32	37826-92E00	..NUT	1	
33	37139-99E20	..PANEL	1	
34	03121-0516A	..SCREW	4	

FIG.149

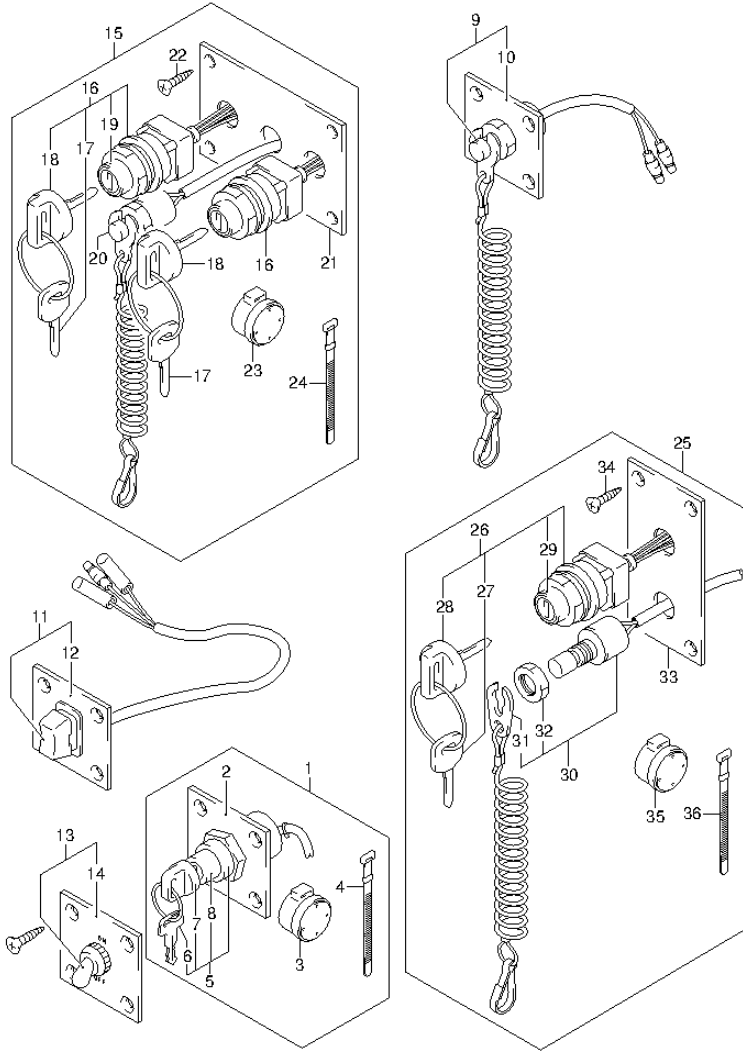
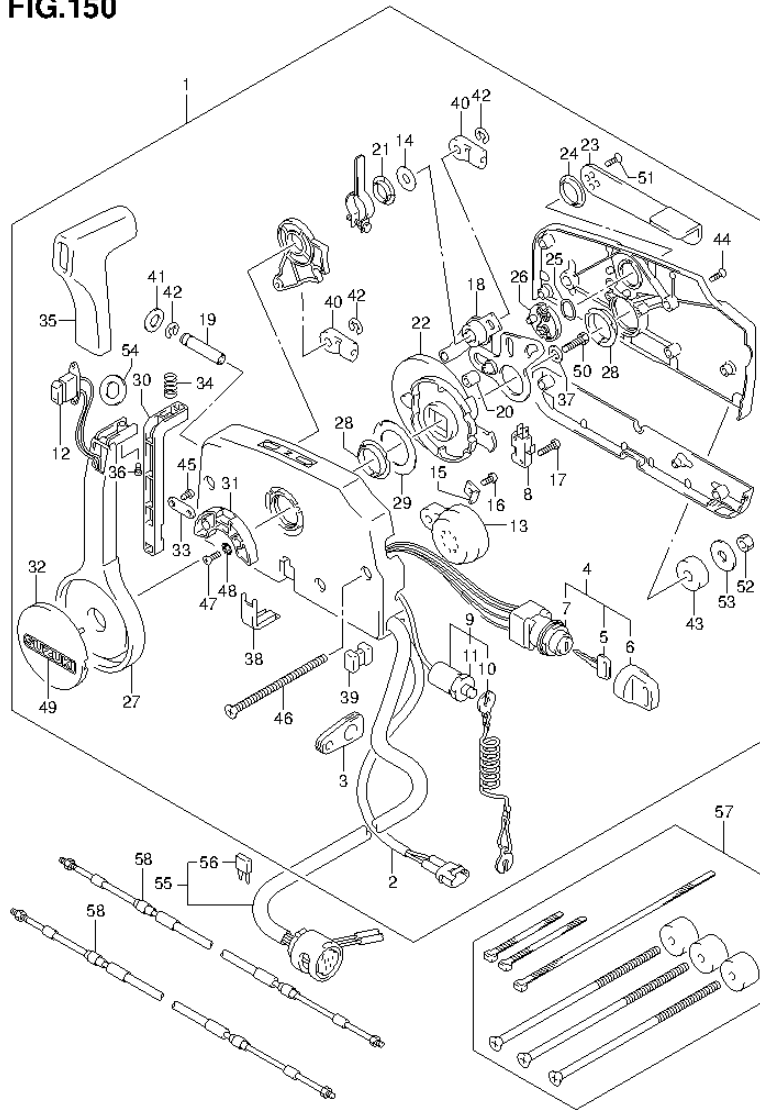


FIG.149 (2-F-13) OPT:SWITCH

REF NO.	PART NO.	DESCRIPTION	Q'TY	REMARKS
35	38500-93J90	.BUZZER ASSY, WARNING	1	
36	09407-08401	.CLAMP (L:80)	1	

FIG.150



DF150\_175\_E01\_013\_150  
OPT:REMOTE CONTROL

FIG.150 (2-F-14) OPT:REMOTE CONTROL

REF NO.	PART NO.	DESCRIPTION	Q'TY	REMARKS
1	67200-93J06	REMOTE CONTROL ASSY	1	
2	36646-93J01	..WIRE ASSY, PTT SW ADAPTER	1	
3	36628-92E00	..GROMMET, WIRE HARNESS	1	
4	37110-93J11	..SWITCH ASSY, IGNITION	1	
5-1	37141-99E00	..KEY (931)	2	
5-2	37141-99E10	..KEY (932)	2	
5-3	37141-99E20	..KEY (933)	2	
5-4	37141-99E30	..KEY (934)	2	
5-5	37141-99E40	..KEY (935)	2	
5-6	37141-99E50	..KEY (936)	2	
5-7	37141-99E60	..KEY (937)	2	
5-8	37141-99E70	..KEY (938)	2	
5-9	37141-99E80	..KEY (939)	2	
5-10	37141-99E90	..KEY (940)	2	
5-11	37141-99EA0	..KEY (941)	2	
5-12	37141-99EB0	..KEY (942)	2	
6	37143-99E00	..CAP, KEY	2	
7	37149-93J00	..CAP CYLINDER BODY	1	
8	37721-93J90	..SWITCH, NEUTRAL	1	
9	37820-93J03	..SWITCH ASSY, EMERGENCY	1	
10	..PLATE	1		
11	37826-92E00	..NUT	1	
12	37850-90J05	..SWITCH ASSY, PTT	1	
13	38500-93J90	..BUZZER	1	
14	67212-95600	..WASHER	1	
15	67213-92E00	..BRACKET, BUZZER	1	
16	09125-05042	..SCREW (5X10)	1	
17	67296-92E10	..SCREW, NEUTRAL SW	2	
18	67220-95630	..PLATE ASSY	1	
19	67223-99E10	..KNOB, BRAKE ADJ	1	
20	67229-95600	..ROLLER	1	
21	67232-95600	..BUSH	1	
22	67238-87D00	..GEAR, DRIVE	1	
23	67241-99E10	..LEVER, FREE THROTTLE	1	

DF150\_175\_E01\_013

FIG.150

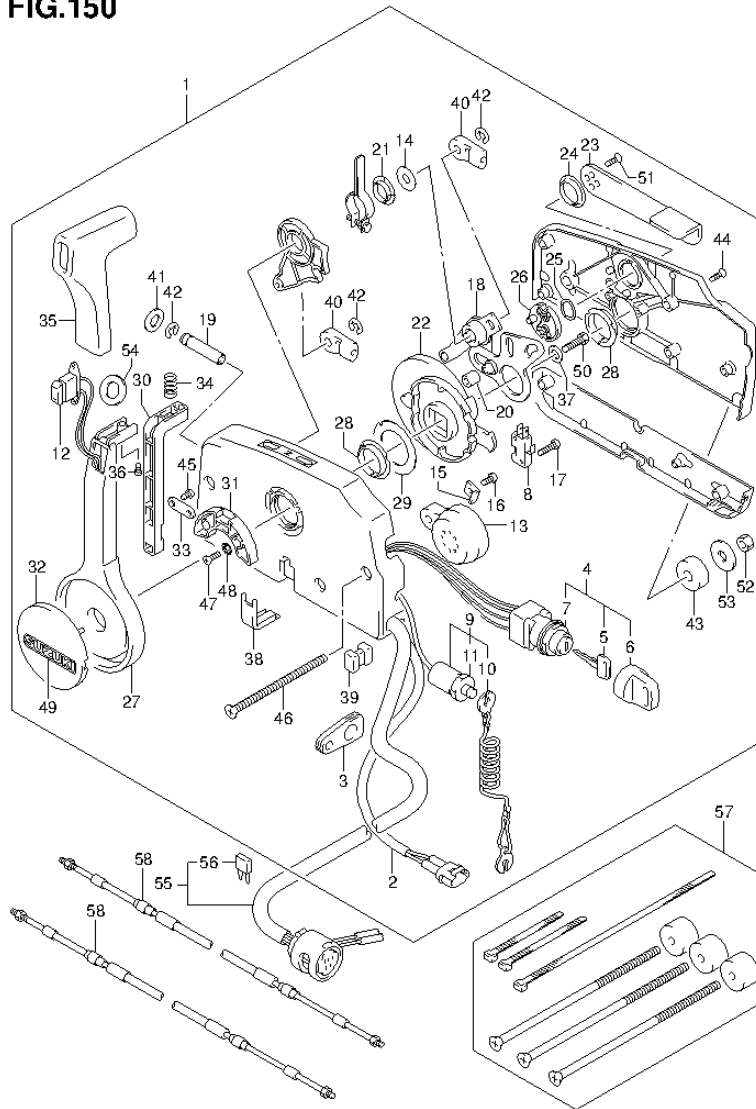
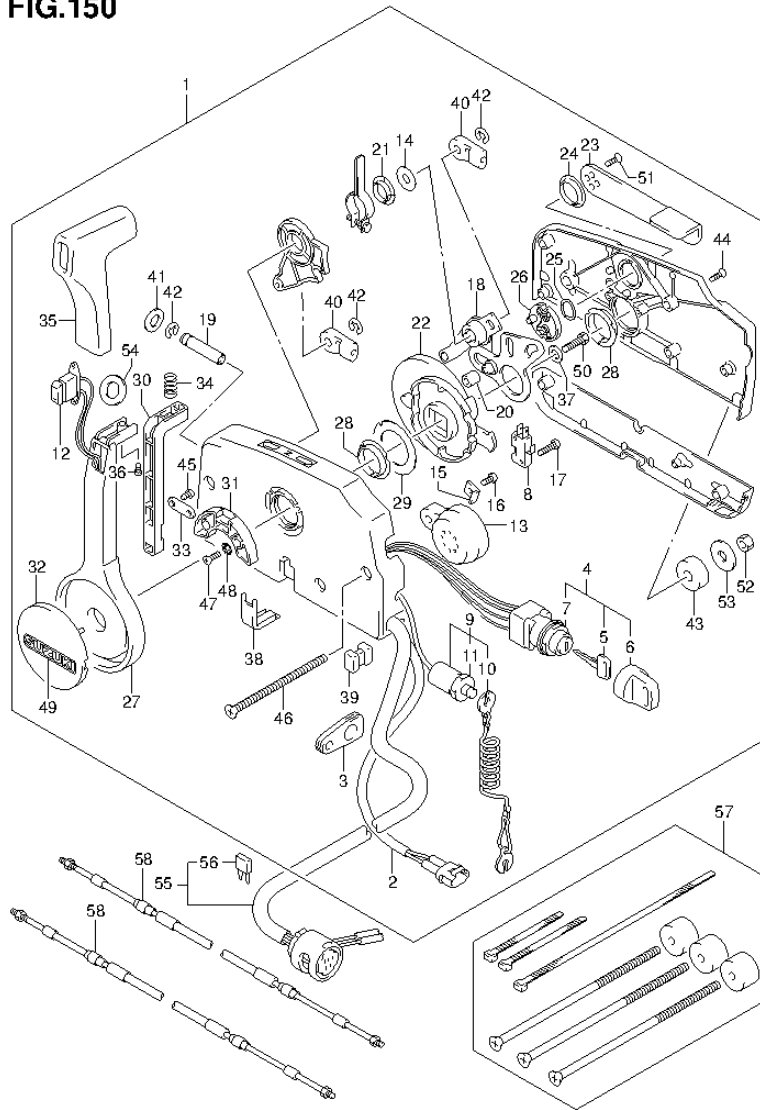


FIG.150 (2-F-15) OPT:REMOTE CONTROL

REF NO.	PART NO.	DESCRIPTION	Q'TY	REMARKS
24	67243-95600	.BUSH	1	
25	67244-95600	.WASHER, WAVE	1	
26	67245-95600	.DRUM, FREE THROTTLE	1	
27	67251-99E10	.LEVER, HANDLE	1	
28	67252-95600	.BUSH	2	
29	67253-95600	.WASHER	1	
30	67255-99E00	.ARM, LOCK	1	
31	67256-95600	.HOLDER, NEUT LOCK	1	
32	67257-99E00	.CAP, LEVER	1	
33	67258-99E00	.BRACKET, LOCK ARM	1	
34	67259-87D00	.SPRING, NEUTRAL ARM	1	
35	67261-99E00	.GRIP	1	
36	67296-94310	.SCREW	1	
37	67264-95600	.WASHER	1	
38	67267-93J00	.COVER, WIRE	1	
39	67273-95600	.SPACER	1	
40	67275-95600	.END, CABLE	2	
41	67288-92E00	.WASHER, BRAKE ADJ KNOB	1	
42	67292-94300	E RING	3	
43	67294-95600	.SPACER	3	
44	67296-90J00	.SCREW	5	
45	67296-94300	.SCREW	2	
46	67296-95600	.SCREW	3	
47	67296-95610	.SCREW	2	
48	67297-95600	.WASHER	2	
49	68165-16B00-13L	.EMBLEM (SILVER)	1	
50	09100-08232	.BOLT (8X30)	1	
51	09126-05003	.SCREW (5X12)	2	
52	09140-06020	.NUT	3	
53	09160-06104	.WASHER (6.5X24X2)	3	
54	37859-90J00	.SPACER	1	
55-1	36620-93J02	WIRE ASSY, REMOTE CONTROL	1	L:5000
55-2	36620-93J52	WIRE ASSY, REMOTE CONTROL	1	L:3500
55-3	36620-93J62	WIRE ASSY, REMOTE CONTROL	1	L:6500

FIG.150



DF150\_175\_E01\_013\_150  
OPT:REMOTE CONTROL

FIG.150 (2-G-2) OPT:REMOTE CONTROL

REF NO.	PART NO.	DESCRIPTION	Q'TY	REMARKS
56	09481-10501	.FUSE (10A)	1	
57	67140-95600	ATTACHMENT, TWIN REMOCON KIT	1	
58-1	67320-93J00	CABLE, REMOCON 8F (2.4M)	1	
58-2	67320-93J10	CABLE, REMOCON 10F (3.1M)	1	
58-3	67320-93J20	CABLE, REMOCON 12F (3.7M)	1	
58-4	67320-93J30	CABLE, REMOCON 14F (4.2M)	1	
58-5	67320-93J40	CABLE, REMOCON 16F (4.8M)	1	
58-6	67320-93J50	CABLE, REMOCON 18F (5.4M)	1	
58-7	67320-93J60	CABLE, REMOCON 20F (6.1M)	1	
58-8	67320-93J70	CABLE, REMOCON 22F (6.7M)	1	
58-9	67320-93J80	CABLE, REMOCON 24F (7.3M)	1	

DF150\_175\_E01\_013

FIG.151

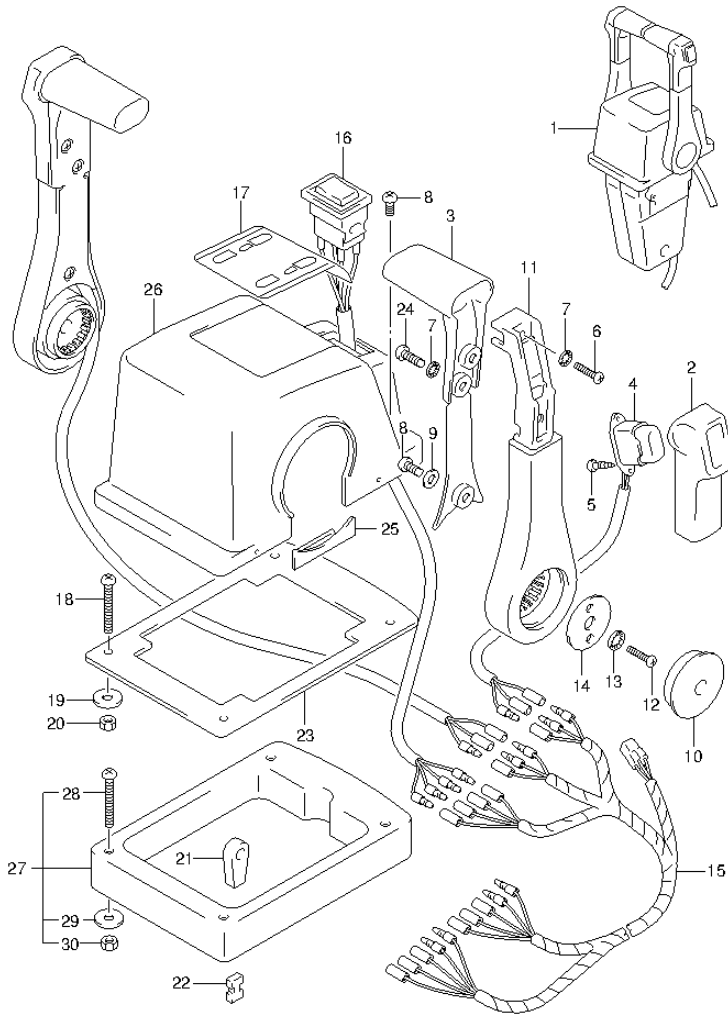


FIG.151 (2-G-3) OPT:TOP MOUNT DUAL (1)

REF NO.	PART NO.	DESCRIPTION	Q'TY	REMARKS
1	67200-93J23	REMOTE CONTROL ASSY	1	
2	67261-93J00	.GRIP, NO.1	2	
3	67263-93J00	.GRIP, NO.2	2	
4	37850-93J10	.SWITCH ASSY, PTT	2	
5	67295-92E10	.SCREW	4	
6	67296-88D10	.SCREW	2	
7	67288-92E20	.WASHER	6	
8	67296-92E70	.SCREW	4	
9	67288-92E40	.WASHER	2	
10	67257-92E00	.CAP, LEVER	2	
11	67251-93J00	.LEVER, HANDLE	2	
12	67296-92E60	.SCREW	4	
13	67288-92E30	.WASHER	4	
14	67253-92E00	.WASHER	2	
15	36890-93J10	.WIRE HARNESS	1	
16	37220-92E00	.SWITCH ASSY, MODE CHANGING	1	
17	67282-93J00	.DECAL	1	
18	67296-92E30	.SCREW	4	
19	09160-05024	.WASHER (5.5X16X1.5)	4	
20	67287-92E00	.NUT	4	
21	67275-95600	.END, CABLE	4	
22	67273-95600	.SPACER	2	
23	67273-92E10	.GROMMET	1	
24	67295-92E00	.SCREW	4	
25	67271-92E00	.COVER	2	
26	67211-93J10	.COVER	1	
27	67500-93J10	KIT, REMOCON SPACER TWIN	1	
28	09125-05135	.SCREW (5X65)	4	
29	09160-05029	.WASHER (5.5X12X0.8)	4	
30	09140-05005	.NUT	4	



FIG.152

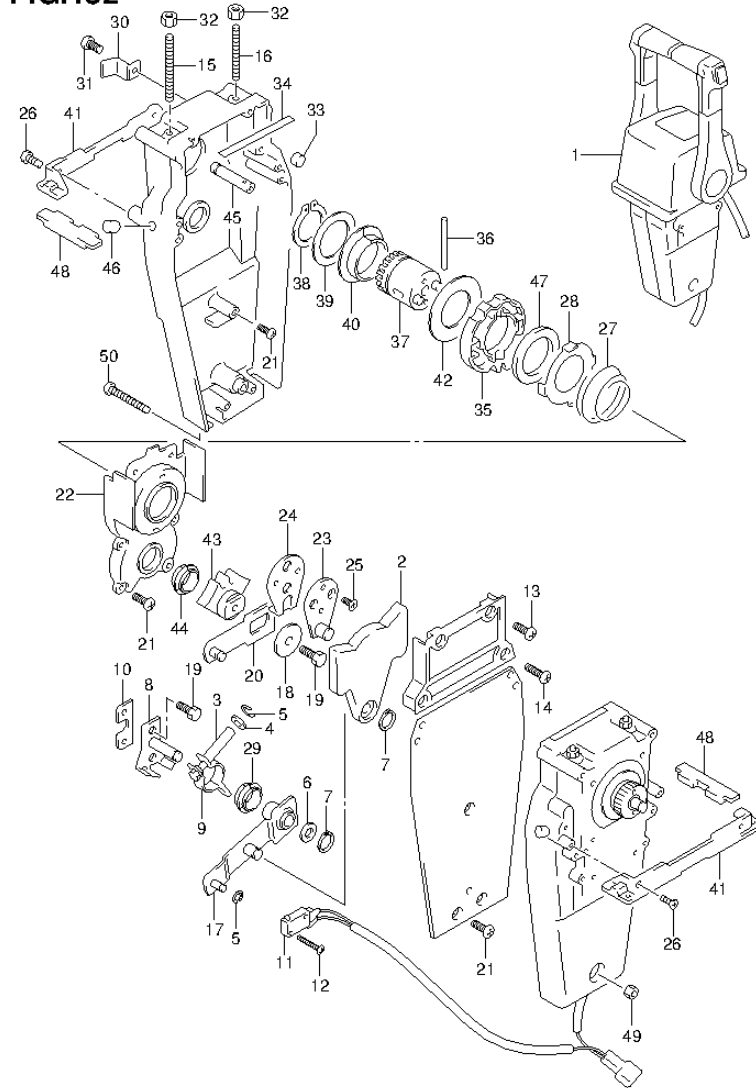


FIG.152 (2-G-4) OPT:TOP MOUNT DUAL (2)

REF NO.	PART NO.	DESCRIPTION	Q'TY	REMARKS
1	67200-93J23	REMOTE CONTROL ASSY	1	
2	67222-92E00	.DUAL PLATE	2	
3	67223-92E00	.BRAKE ADJUST	2	
4	67288-92E00	.WASHER	2	
5	67292-94300	.E RING	8	
6	67288-92E10	.WASHER	2	
7	67291-92E00	.SNAP RING	4	
8	67221-92E00	.SHIFT ASSY	2	
9	67224-92E00	.BRAKE ARM ASSY	2	
10	67294-92E00	.SPACER	2	
11	37721-92E10	.SWITCH ASSY, NEUTRAL	1	
12	67296-92E10	.SCREW	4	
13	67296-88D10	.SCREW	4	
14	67296-92E20	.SCREW	4	
15	67226-92E00	.BOLT, STOPPER FRONT	2	
16	67226-92E10	.BOLT, STOPPER REAR	2	
17	67240-92E00	.ARM ASSY, THROTTLE	2	
18	67228-92E00	.WASHER	2	
19	67286-92E00	.BOLT	6	
20	67230-92E00	.ARM ASSY, SHIFT	2	
21	09125-05042	.SCREW (5X10)	16	
22	67234-92E00	.CASE, GEAR	2	
23	67245-92E00	.LEVER ASSY, THROTTLE	2	
24	67227-92E00	.STOPPER	2	
25	09126-06006	.SCREW (6X20)	4	
26	67296-95610	.SCREW	4	
27	67233-92E00	.SPRING	2	
28	67235-92E00	.PLATE, SHIFT LOCK	2	
29	67232-95620	.BUSH	2	
30	67269-92E00	.BRACKET	2	
31	67296-88D10	.SCREW	2	
32	09140-06020	.NUT	4	
33	67236-92E00	.ROLLER	2	
34	67237-92E01	.SPRING	12	

FIG.152

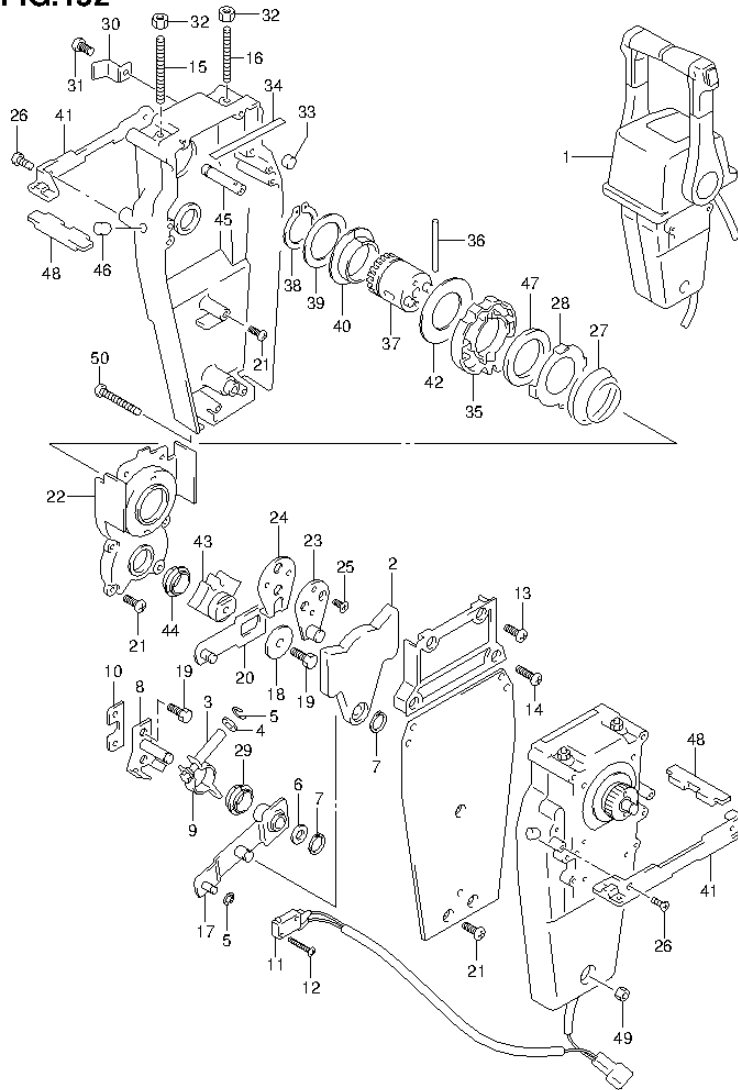
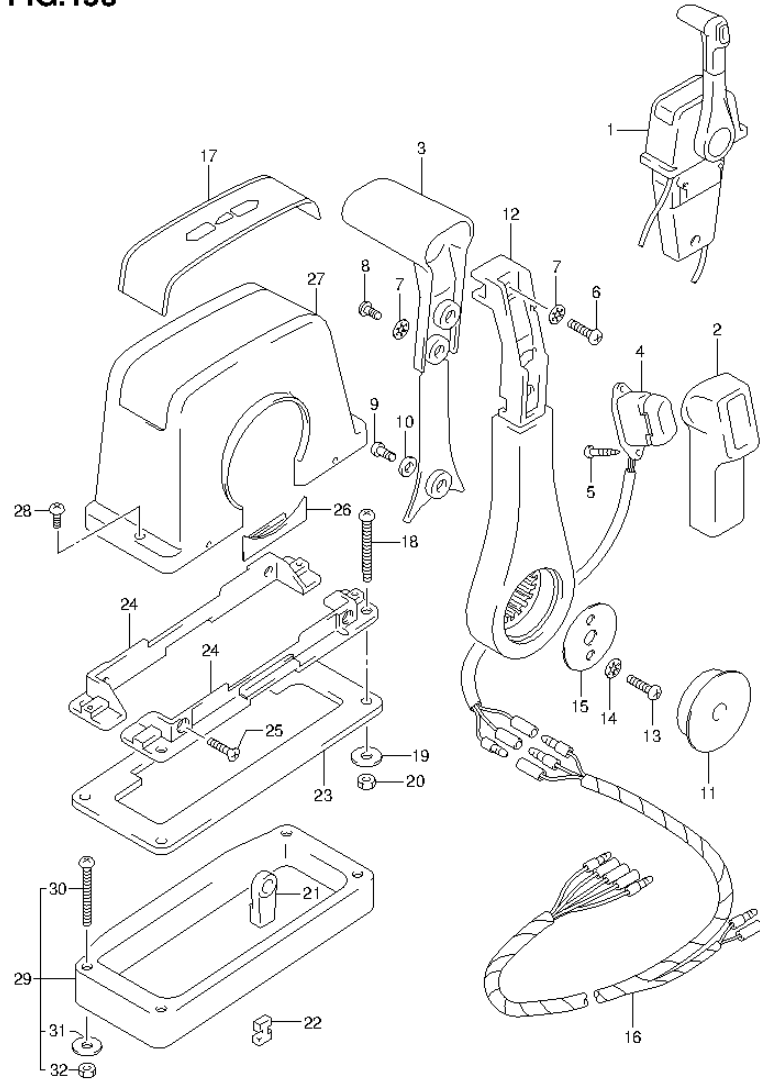


FIG.152 (2-G-5) OPT:TOP MOUNT DUAL (2)

REF NO.	PART NO.	DESCRIPTION	Q'TY	REMARKS
35	67238-92E00	.GEAR, DRIVE	2	
36	67239-92E00	.PIN	2	
37	67246-92E00	.SHAFT, DRIVE	2	
38	67291-92E10	.SNAP RING	2	
39	67253-92E10	.WASHER	2	
40	67252-92E10	.BUSH	2	
41	67274-92E00	.FLANGE	2	
42	67253-95600	.WASHER	2	
43	67231-92E00	.GEAR, SHIFT	2	
44	67232-95600	.BUSH	2	
45	67241-92E10	.ROD, FREE ACC	2	
46	67243-92E00	.CAP, HOLE	2	
47	67239-92E10	.PLATE, SHIFT PIN	2	
48	67272-92E10	.SEAL, FLANGE	2	
49	67287-92E10	.NUT	1	
50	67296-92E80	.SCREW	3	

FIG.153



DF150\_175\_E01\_013\_153  
OPT:TOP MOUNT SINGLE (1)

FIG.153 (2-G-6) OPT:TOP MOUNT SINGLE (1)

REF NO.	PART NO.	DESCRIPTION	Q'TY	REMARKS
1	67200-93J13	REMOTE CONTROL ASSY	1	
2	67261-93J00	.GRIP, NO.1	1	
3	67263-93J00	.GRIP, NO.2	1	
4	37850-93J10	.SWITCH ASSY, PTT	1	
5	67295-92E10	.SCREW	2	
6	67296-88D10	.SCREW	1	
7	67288-92E20	.WASHER	3	
8	67295-92E00	.SCREW	2	
9	67296-92E70	.SCREW	1	
10	67288-92E40	.WASHER	1	
11	67257-92E00	.CAP, LEVER	1	
12	67251-93J00	.LEVER, HANDLE	1	
13	67296-92E60	.SCREW	2	
14	67288-92E30	.WASHER	2	
15	67253-92E00	.WASHER	1	
16	36890-93J00	.WIRE HARNESS	1	
17	67281-93J00	.DECAL	1	
18	67296-92E30	.SCREW	4	
19	09160-05024	.WASHER (5.5X16X1.5)	4	
20	67287-92E00	.NUT	4	
21	67275-95600	.END, CABLE	2	
22	67273-95600	.SPACER	1	
23	67273-92E00	.GROMMET	1	
24	67274-92E00	.FLANGE	2	
25	67296-95610	.SCREW	4	
26	67271-92E00	.COVER	1	
27	67211-93J00	.COVER	1	
28	67296-92E70	.SCREW	2	
29	67500-93J00	KIT, REMOCON SPACER SINGLE	1	
30	09125-05135	.SCREW (5X65)	4	
31	09160-05029	.WASHER (5.5X12X0.8)	4	
32	09140-05005	.NUT	4	

DF150\_175\_E01\_013

FIG.154

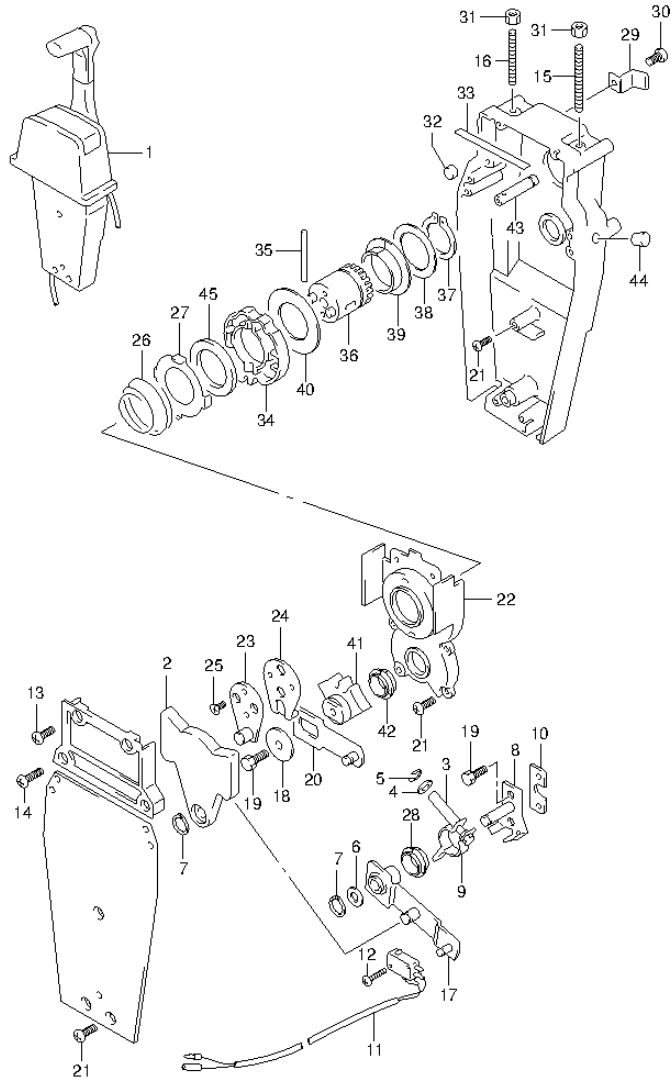
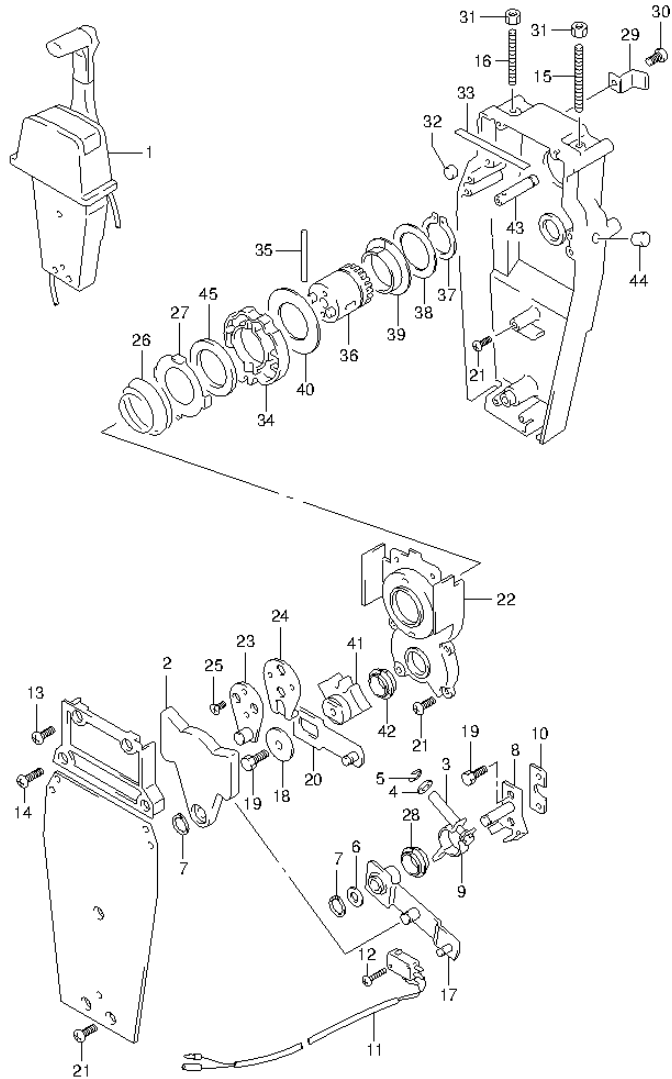


FIG.154 (2-G-7) OPT:TOP MOUNT SINGLE (2)

REF NO.	PART NO.	DESCRIPTION	Q'TY	REMARKS
1	67200-93J13	REMOTE CONTROL ASSY	1	
2	67222-92E00	.DUAL PLATE	1	
3	67223-92E00	.BRAKE ADJUST	1	
4	67288-92E00	.WASHER	1	
5	67292-94300	.E RING	4	
6	67288-92E10	.WASHER	1	
7	67291-92E00	.SNAP RING	2	
8	67221-92E00	.SHIFT ASSY	1	
9	67224-92E00	.BRAKE ARM ASSY	1	
10	67294-92E00	.SPACER	1	
11	37721-95500	.SWITCH ASSY, NEUTRAL	1	
12	67296-92E10	.SCREW (3X15)	2	
13	67296-88D10	.SCREW (5X16)	2	
14	67296-92E20	.SCREW (5X25)	2	
15	67226-92E00	.BOLT, STOPPER FRONT	1	
16	67226-92E10	.BOLT, STOPPER REAR	1	
17	67240-92E00	.ARM ASSY, THROTTLE	1	
18	67228-92E00	.WASHER	1	
19	67286-92E00	.BOLT (6X18)	3	
20	67230-92E00	.ARM ASSY, SHIFT	1	
21	09125-05042	.SCREW (5X10)	9	
22	67234-92E00	.CASE, GEAR	1	
23	67245-92E00	.LEVER ASSY, THROTTLE	1	
24	67227-92E00	.STOPPER	1	
25	09126-06006	.SCREW (6X20)	2	
26	67233-92E00	.SPRING	1	
27	67235-92E00	.PLATE, SHIFT LOCK	1	
28	67232-95620	.BUSH	1	
29	67269-92E00	.BRACKET	1	
30	67296-88D10	.SCREW	1	
31	09140-06020	.NUT	2	
32	67236-92E00	.ROLLER	1	
33	67237-92E01	.SPRING	6	
34	67238-92E00	.GEAR, DRIVE	1	

**FIG.154**



**FIG.154 (2-G-8) OPT:TOP MOUNT SINGLE (2)**

REF NO.	PART NO.	DESCRIPTION	Q'TY	REMARKS
35	67239-92E00	.PIN	1	
36	67246-92E00	.SHIFT, DRIVE	1	
37	67291-92E10	.SNAP RING	1	
38	67253-92E10	.WASHER	1	
39	67252-92E10	.BUSH	1	
40	67253-95600	.WASHER	1	
41	67231-92E00	.GEAR, SHIFT	1	
42	67232-95600	.BUSH	1	
43	67241-92E10	.ROD, FREE ACC	1	
44	67243-92E00	.CAP, HOLE	1	
45	67239-92E10	.PLATE, SHIFT PIN	1	

FIG.155

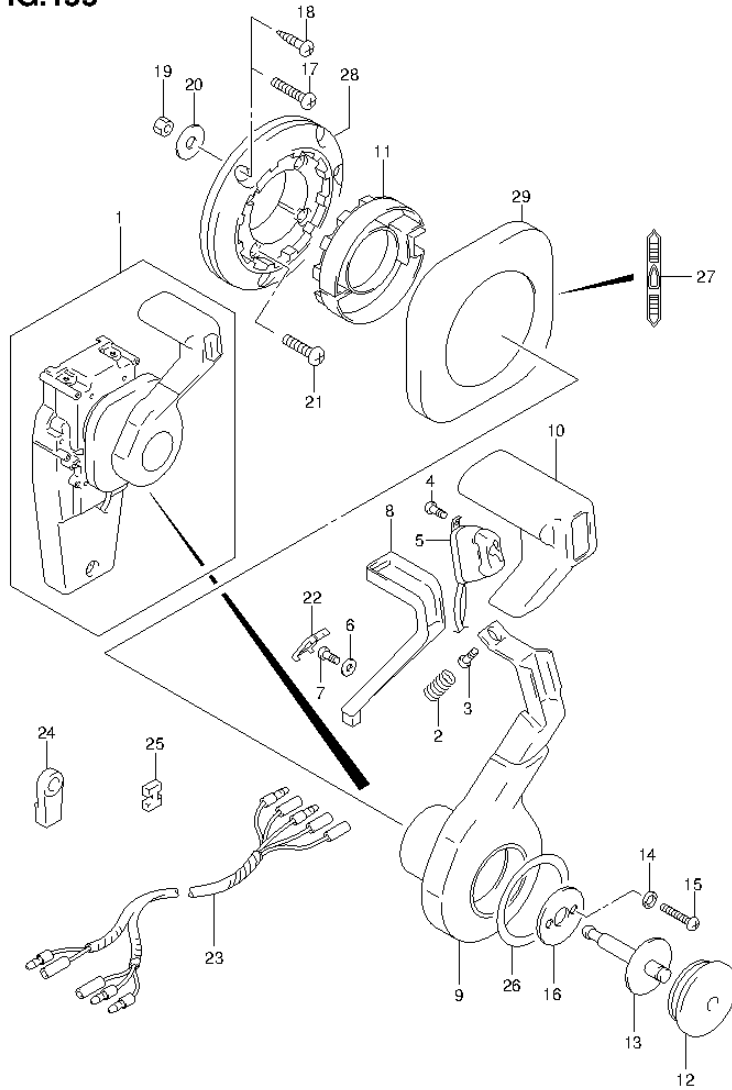


FIG.155 (2-G-9) OPT:CONCEALED REMOCON (1)

REF NO.	PART NO.	DESCRIPTION	Q'TY	REMARKS
1	67200-93J32	REMOTE CONTROL ASSY	1	
2	67298-92E50	.SPRING	1	
3	67296-94310	.SCREW	1	
4	67295-92E10	.SCREW (3X12)	2	
5	37850-92E26	.SWITCH ASSY, PTT	1	
6	67288-92E60	.WASHER	1	
7	09125-04021	.SCREW (4X20)	1	
8	67255-92E50	.ARM, NEUTRAL LOCK	1	
9	67251-92E50	.LEVER	1	
10	67261-92E50	.GRIP	1	
11	67256-92E50	.HOLDER, NEUTRAL LOCK	1	
12	67257-92E00	.CAP, LEVER	1	
13	67242-92E50	.SHAFT, FREE ACC	1	
14	67288-92E20	.WASHER	6	
15	67296-88D10	.SCREW (5X16)	4	
16	67288-92E70	.WASHER	1	
17	67296-88D20	.SCREW (6X35)	3	
18	67295-92E50	.SCREW (6X30)	3	
19	67287-92E50	.NUT	3	
20	09160-06104	.WASHER (6.5X24X2)	3	
21	67296-88D30	.SCREW (5X30)	4	
22	67254-92E50	.COVER, LOCK ARM	1	
23	36890-93J00	.WIRING ASSY	1	
24	67275-95600	.ENG CABLE	2	
25	67273-95600	.SPACER	1	
26	67283-92E50	.DECAL, LEVER	1	
27	67284-92E50	.DECAL, CLUTCH	1	
28	67274-92E50	.BASE	1	
29	67211-92E50	.COVER	1	

FIG.156

FIG.156 (2-G-10) OPT:CONCEALED REMOCON (2)

REF NO.	PART NO.	DESCRIPTION	Q'TY	REMARKS
1	67200-93J32	REMOTE CONTROL ASSY	1	
2	67222-92E50	.DUEL PLATE	1	
3	67292-94300	.E RING	3	
4	67288-92E10	.WASHER	1	
5	67291-92E00	.SNAP RING	2	
6	67223-92E50	.BRAKE ADJUST	1	
7	67221-92E50	.HOLDER ASSY	1	
8	67224-92E50	.BRAKE SHOE ASSY	1	
9	67225-92E50	.DISK, BRAKE	1	
10	09140-06020	.NUT	2	
11	67294-92E00	.SPACER	1	
12	37721-95500	.SWITCH ASSY, NEUTRAL	1	
13	67296-92E10	.SCREW (3X15)	2	
14	67226-92E10	.BOLT, STOPPER (REAR)	2	
15	67296-92E20	.SCREW (5X25)	2	
16	67240-92E50	ARM ASSY, THROTTLE	1	
17	67228-92E00	.WASHER	1	
18	67286-92E00	.BOLT (6X18)	3	
19	67230-92E00	ARM ASSY, SHIFT	1	
20	09125-05042	.SCREW (5X10)	11	
21	67234-92E00	.GEAR CASE	1	
22	67245-92E00	LEVER ASSY, THROTTLE	1	
23	67227-92E00	.STOPPER	1	
24	67296-88D10	.SCREW (6X20)	2	
25	67225-92E00	.SPRING	1	
26	09125-04004	.SCREW (4X6)	1	
27	67233-92E00	.SPRING	1	
28	67235-92E00	.PLATE, SHIFT LOCK	1	
29	67239-92E10	.PLATE, SHIFT PIN	1	
30	67236-92E00	.ROLLER	1	
31	67237-92E01	.SPRING	5	
32	67238-92E50	.GEAR, DRIVE	1	
33	67239-92E00	.PIN	1	
34	67246-92E50	.SHAFT, DRIVE	1	

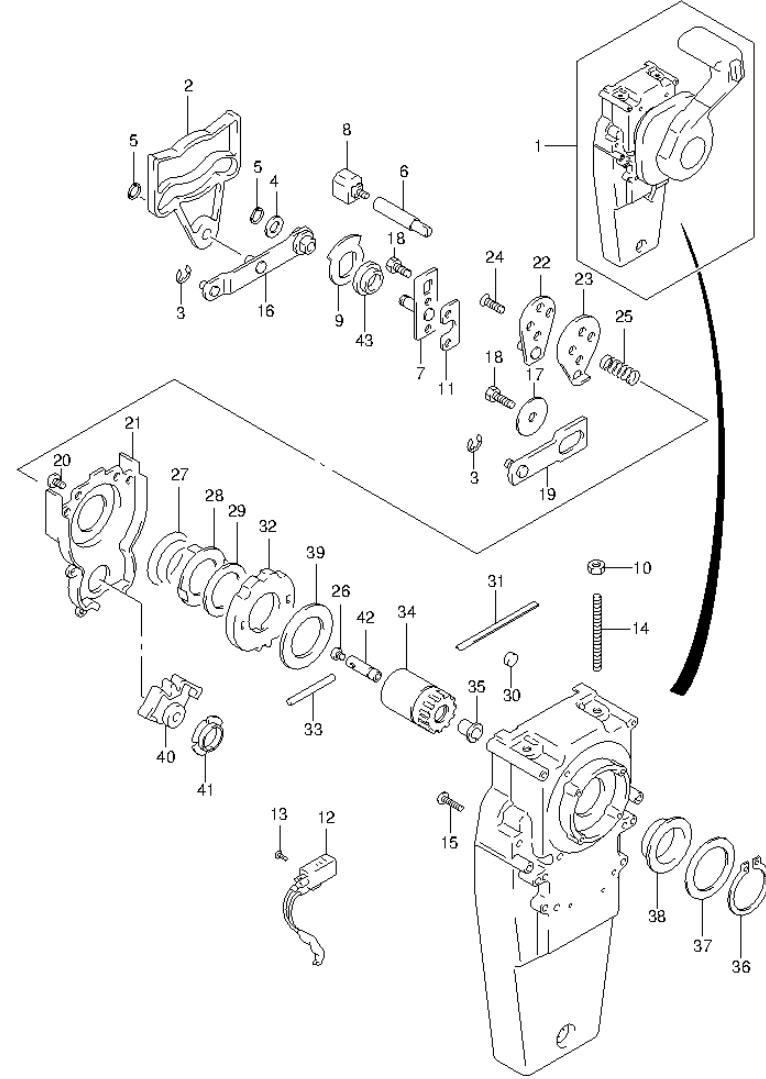


FIG.156

FIG.156 (2-G-11) OPT:CONCEALED REMOCON (2)

REF NO.	PART NO.	DESCRIPTION	Q'TY	REMARKS
35	67252-92E00	.BUSH	1	
36	67291-92E10	.SNAP RING	1	
37	67253-92E10	.WASHER	1	
38	67252-92E10	.BUSH	1	
39	67253-95600	.WASHER	1	
40	67231-92E00	.GEAR, SHIFT	1	
41	67232-95600	.BUSH	1	
42	67241-92E50	.ROD, FREE ACC	1	
43	67232-92E50	.BUSH	1	

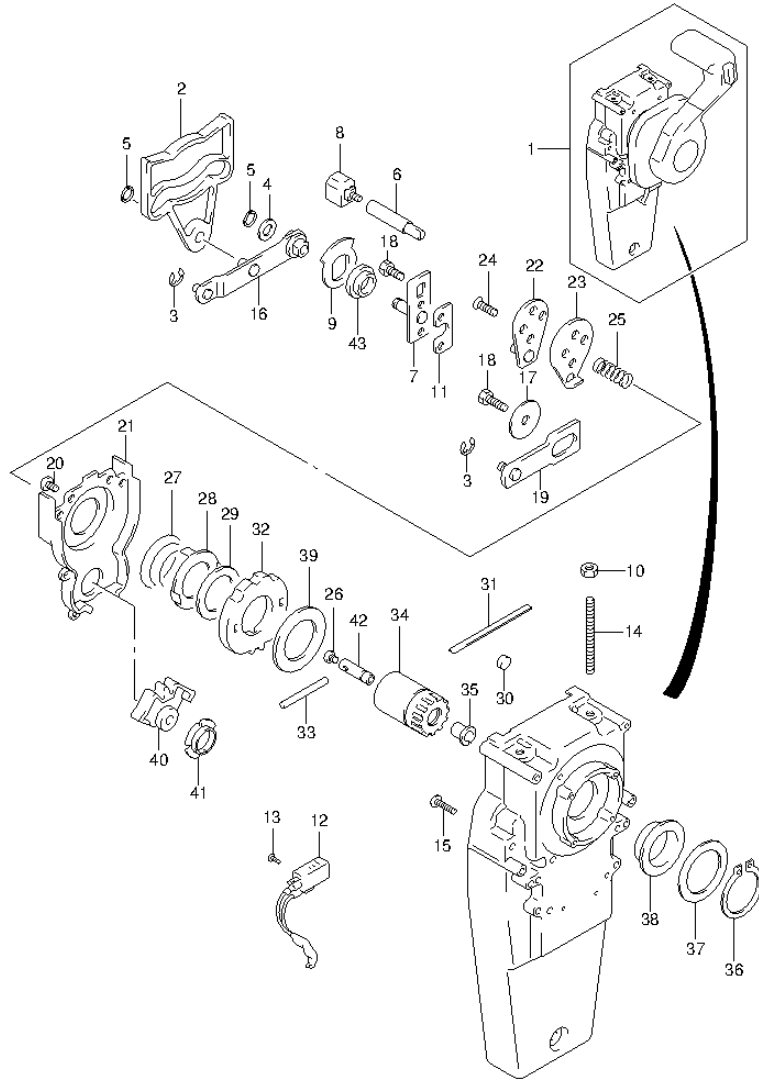




FIG.157

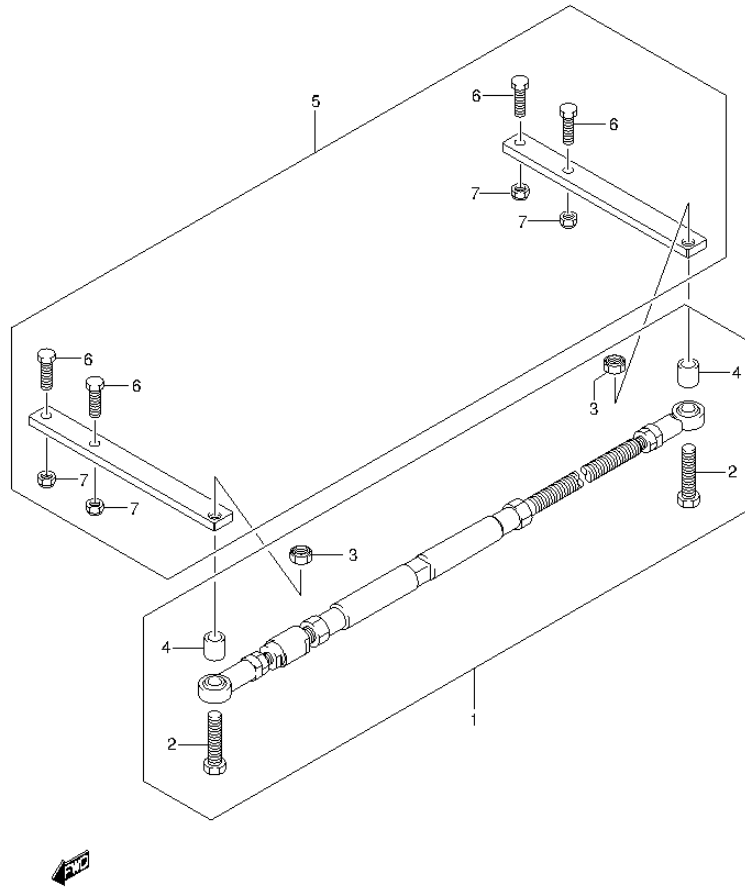


FIG.157 (2-G-12) OPT:TIE ROD

REF NO.	PART NO.	DESCRIPTION	Q'TY	REMARKS
1	67600-93J00	KIT, TIE ROD	1	
2	67725-93J00	.BOLT	2	
3	67726-93J00	.NUT	2	
4	67721-93J00	.SPACER	2	
5	67630-93J00	KIT, STEERING EXTENSION	1	
6	67725-93E00	.BOLT	4	
7	67726-99E00	.NUT	4	

FIG.158

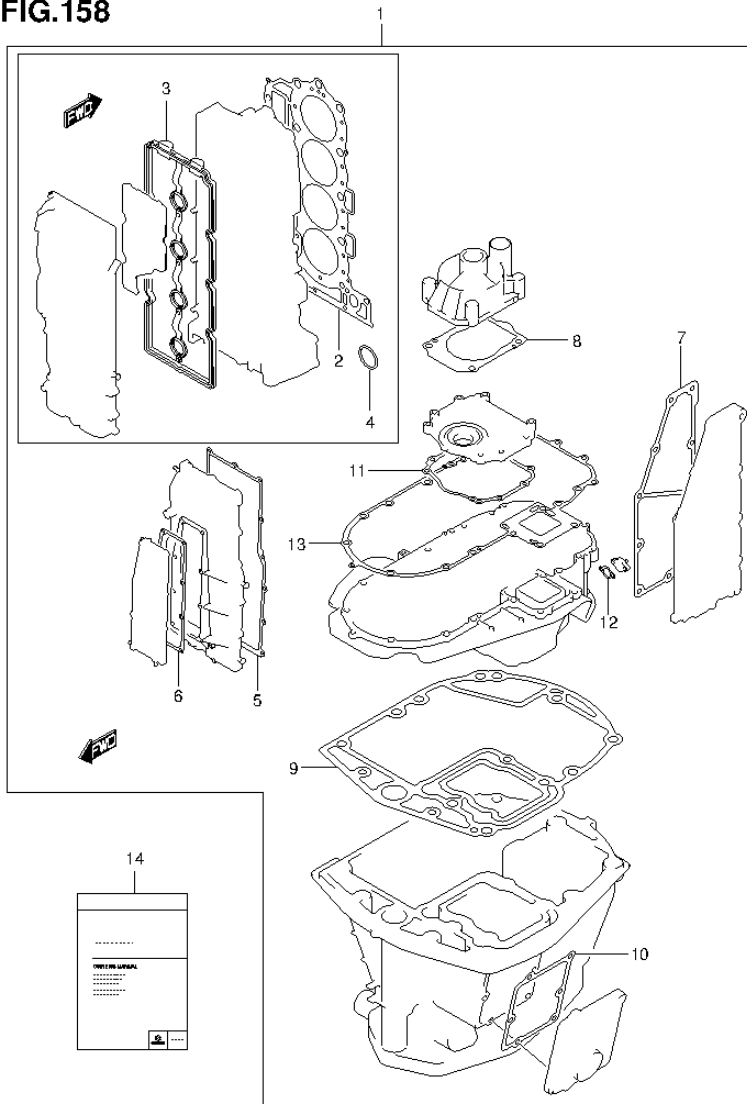


FIG.158 (2-G-13) OPT:GASKET SET (DF150T E1)

REF NO.	PART NO.	DESCRIPTION	Q'TY	REMARKS
1	11400-96892	GASKET SET	1	
2	11141-96J01	.GASKET, CYLINDER HEAD	1	
3	11189-96J00	.GASKET, CYLINDER HEAD COVER	1	
4	11318-96J00	.O RING, BALANCER OIL GALLERY	1	
5	11332-96J00	.GASKET, BALANCER COVER	1	
6	11342-96J00	.GASKET, BAL WTR JACKET COVER	1	
7	14151-96J00	.GASKET, EXH COVER	1	
8	17472-93J00	.GASKET, PUMP CASE PANEL	1	
9	11489-96J01	.GASKET, OIL PAN	1	
10	11552-96J00	.GASKET, WTR JACKET COVER	1	
11	51123-96J01	.GASKET, MOUNT OIL SEAL COVER	1	
12	51142-96J00	.GASKET, ENGINE HOLDER COVER	1	
13	51211-96J00	.GASKET, ENGINE HOLDER	1	
14-1	99011-96J20-054	MANUAL, OWNER'S	1	
14-2	99011-96J20-059	MANUAL, OWNER'S	1	

FIG.159

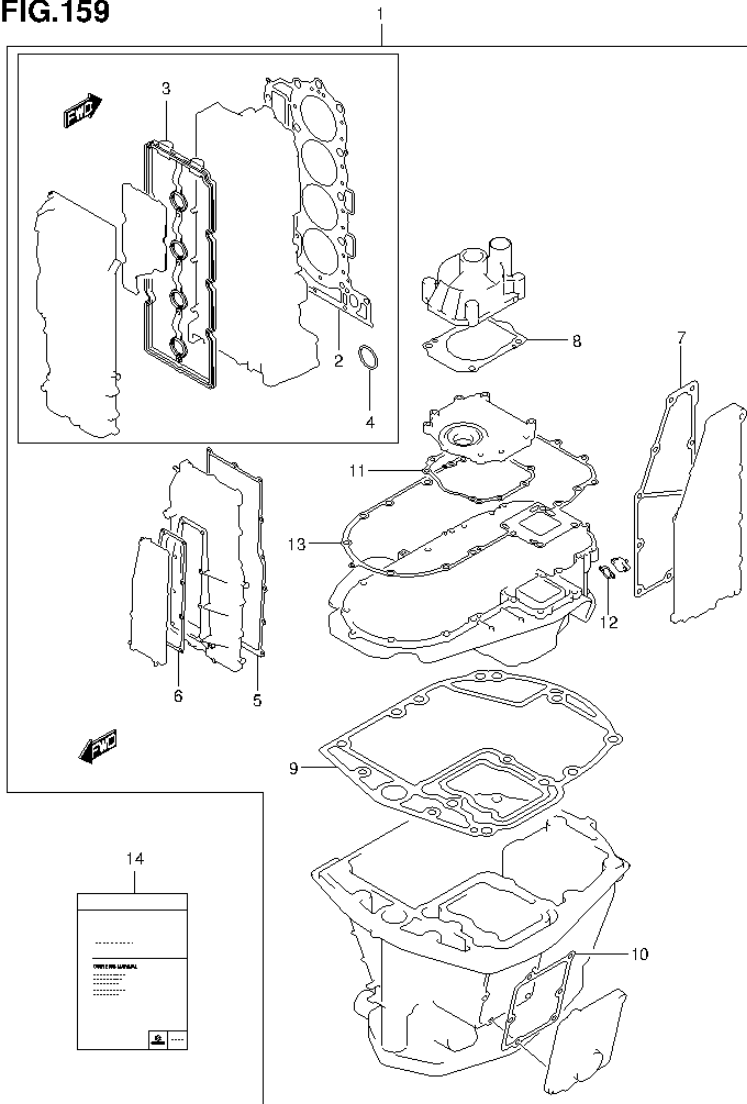


FIG.159 (2-G-14) OPT:GASKET SET (DF150T E40)

REF NO.	PART NO.	DESCRIPTION	Q'TY	REMARKS
1	11400-96892	GASKET SET	1	
2	11141-96J01	.GASKET, CYLINDER HEAD	1	
3	11189-96J00	.GASKET, CYLINDER HEAD COVER	1	
4	11318-96J00	.O RING, BALANCER OIL GALLERY	1	
5	11332-96J00	.GASKET, BALANCER COVER	1	
6	11342-96J00	.GASKET, BAL WTR JACKET COVER	1	
7	14151-96J00	.GASKET, EXH COVER	1	
8	17472-93J00	.GASKET, PUMP CASE PANEL	1	
9	11489-96J01	.GASKET, OIL PAN	1	
10	11552-96J00	.GASKET, WTR JACKET COVER	1	
11	51123-96J01	.GASKET, MOUNT OIL SEAL COVER	1	
12	51142-96J00	.GASKET, ENGINE HOLDER COVER	1	
13	51211-96J00	.GASKET, ENGINE HOLDER	1	
14	99011-96J20-059	MANUAL, OWNER'S	1	

FIG.160

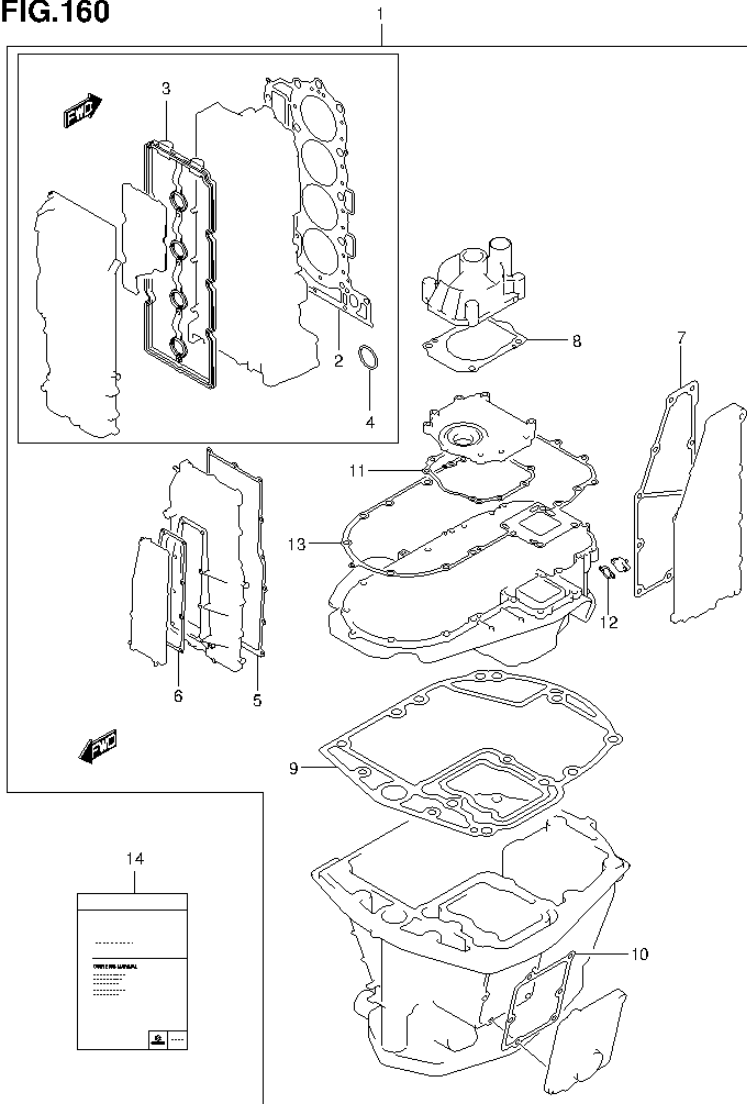


FIG.160 (2-G-15) OPT:GASKET SET (DF150Z E1)

REF NO.	PART NO.	DESCRIPTION	Q'TY	REMARKS
1	11400-96892	GASKET SET	1	
2	11141-96J01	.GASKET, CYLINDER HEAD	1	
3	11189-96J00	.GASKET, CYLINDER HEAD COVER	1	
4	11318-96J00	.O RING, BALANCER OIL GALLERY	1	
5	11332-96J00	.GASKET, BALANCER COVER	1	
6	11342-96J00	.GASKET, BAL WTR JACKET COVER	1	
7	14151-96J00	.GASKET, EXH COVER	1	
8	17472-93J00	.GASKET, PUMP CASE PANEL	1	
9	11489-96J01	.GASKET, OIL PAN	1	
10	11552-96J00	.GASKET, WTR JACKET COVER	1	
11	51123-96J01	.GASKET, MOUNT OIL SEAL COVER	1	
12	51142-96J00	.GASKET, ENGINE HOLDER COVER	1	
13	51211-96J00	.GASKET, ENGINE HOLDER	1	
14-1	99011-96J20-054	MANUAL, OWNER'S	1	
14-2	99011-96J20-059	MANUAL, OWNER'S	1	

FIG.161

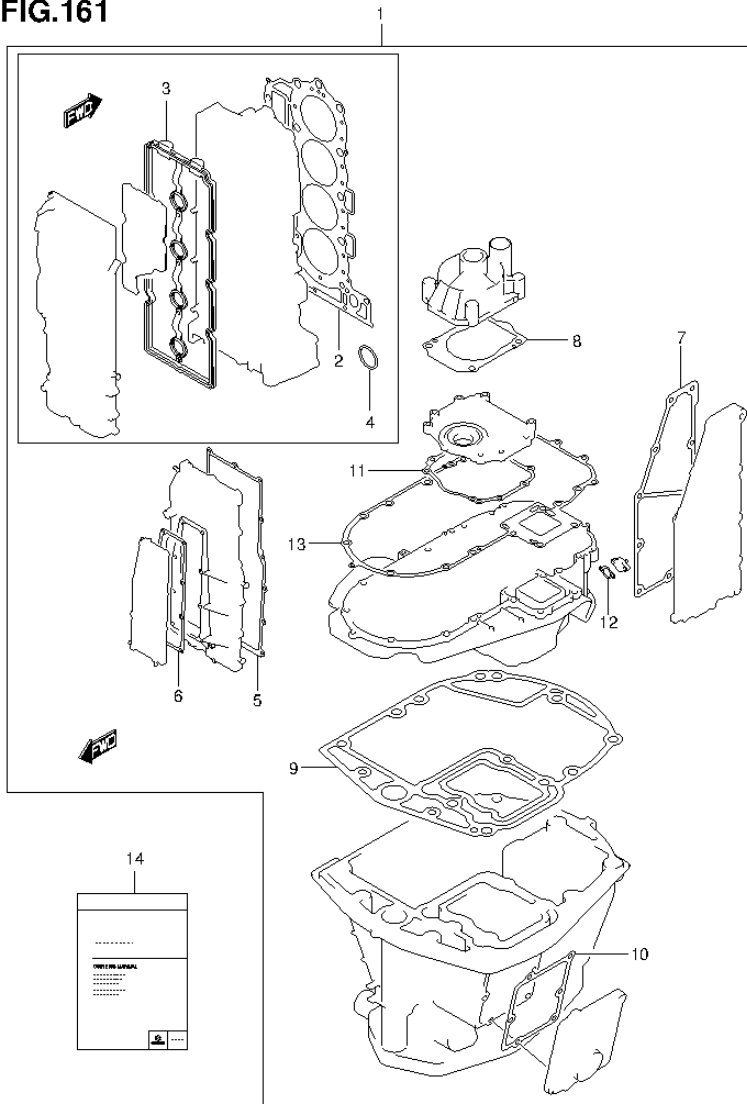


FIG.161 (2-H-2) OPT:GASKET SET (DF150Z E40)

REF NO.	PART NO.	DESCRIPTION	Q'TY	REMARKS
1	11400-96892	GASKET SET	1	
2	11141-96J01	.GASKET, CYLINDER HEAD	1	
3	11189-96J00	.GASKET, CYLINDER HEAD COVER	1	
4	11318-96J00	.O RING, BALANCER OIL GALLERY	1	
5	11332-96J00	.GASKET, BALANCER COVER	1	
6	11342-96J00	.GASKET, BAL WTR JACKET COVER	1	
7	14151-96J00	.GASKET, EXH COVER	1	
8	17472-93J00	.GASKET, PUMP CASE PANEL	1	
9	11489-96J01	.GASKET, OIL PAN	1	
10	11552-96J00	.GASKET, WTR JACKET COVER	1	
11	51123-96J01	.GASKET, MOUNT OIL SEAL COVER	1	
12	51142-96J00	.GASKET, ENGINE HOLDER COVER	1	
13	51211-96J00	.GASKET, ENGINE HOLDER	1	
14	99011-96J20-059	MANUAL, OWNER'S	1	

FIG.162

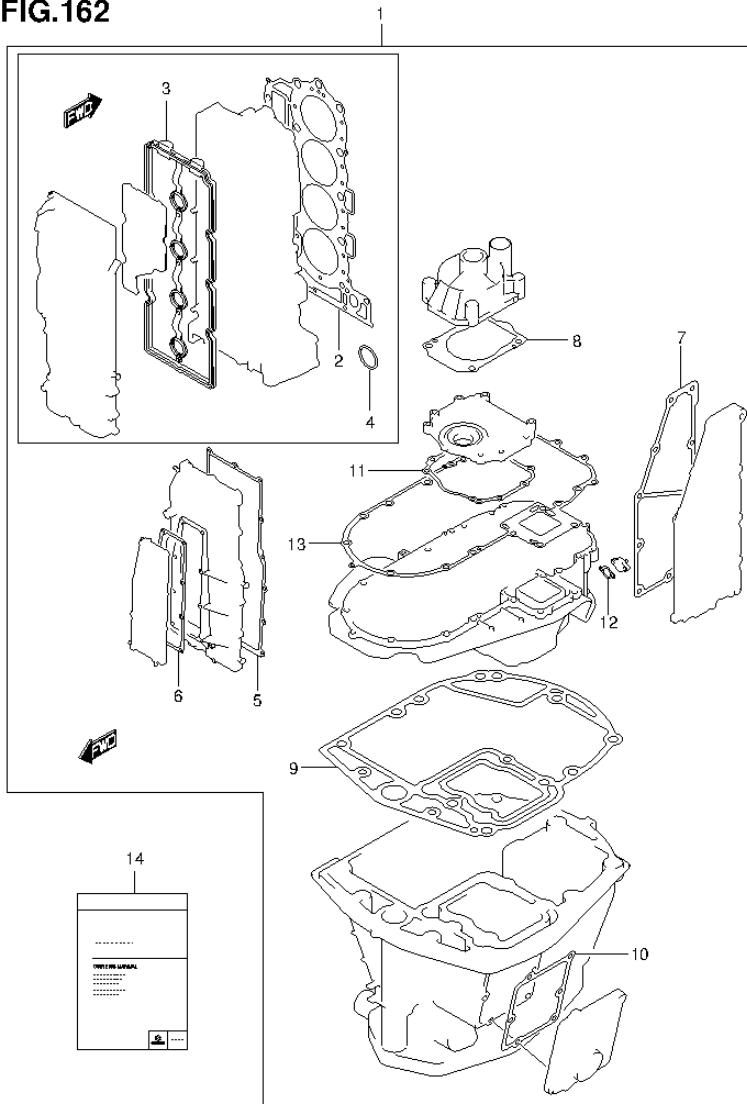


FIG.162 (2-H-3) OPT:GASKET SET (DF175T E1)

REF NO.	PART NO.	DESCRIPTION	Q'TY	REMARKS
1	11400-96892	GASKET SET	1	
2	11141-96J01	.GASKET, CYLINDER HEAD	1	
3	11189-96J00	.GASKET, CYLINDER HEAD COVER	1	
4	11318-96J00	.O RING, BALANCER OIL GALLERY	1	
5	11332-96J00	.GASKET, BALANCER COVER	1	
6	11342-96J00	.GASKET, BAL WTR JACKET COVER	1	
7	14151-96J00	.GASKET, EXH COVER	1	
8	17472-93J00	.GASKET, PUMP CASE PANEL	1	
9	11489-96J01	.GASKET, OIL PAN	1	
10	11552-96J00	.GASKET, WTR JACKET COVER	1	
11	51123-96J01	.GASKET, MOUNT OIL SEAL COVER	1	
12	51142-96J00	.GASKET, ENGINE HOLDER COVER	1	
13	51211-96J00	.GASKET, ENGINE HOLDER	1	
14-1	99011-96J20-054	MANUAL, OWNER'S	1	
14-2	99011-96J20-059	MANUAL, OWNER'S	1	

FIG.163

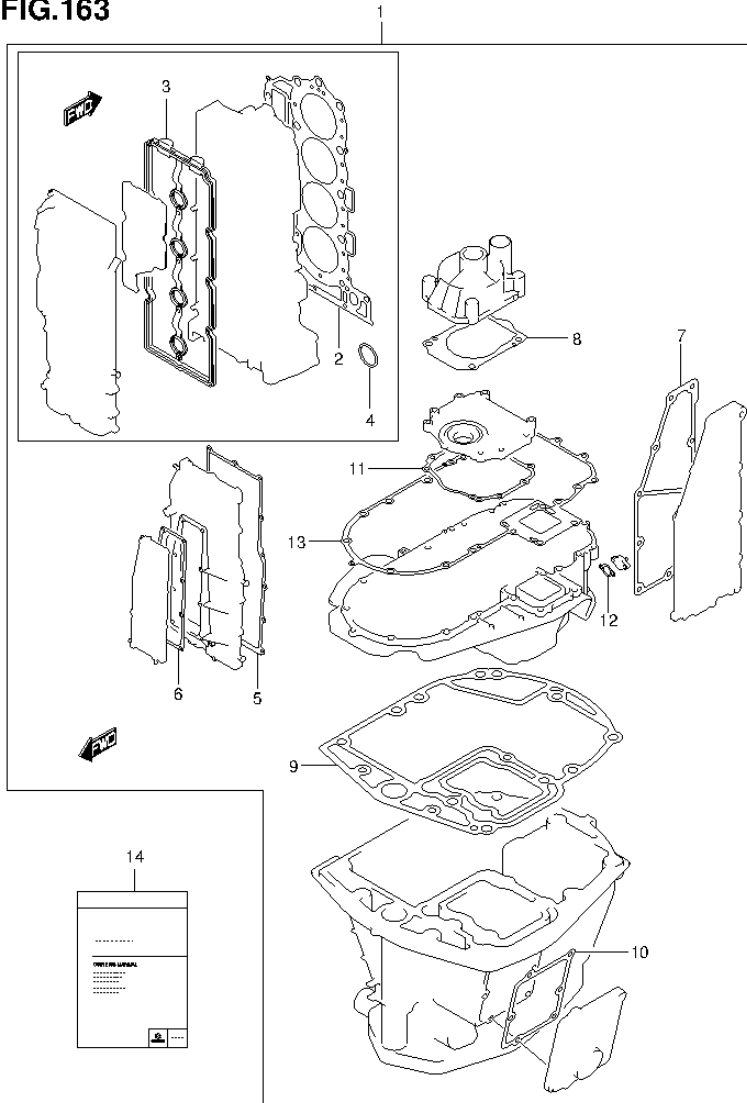


FIG.163 (2-H-4) OPT:GASKET SET (DF175T E40)

REF NO.	PART NO.	DESCRIPTION	Q'TY	REMARKS
1	11400-96892	GASKET SET	1	
2	11141-96J01	.GASKET, CYLINDER HEAD	1	
3	11189-96J00	.GASKET, CYLINDER HEAD COVER	1	
4	11318-96J00	.O RING, BALANCER OIL GALLERY	1	
5	11332-96J00	.GASKET, BALANCER COVER	1	
6	11342-96J00	.GASKET, BAL WTR JACKET COVER	1	
7	14151-96J00	.GASKET, EXH COVER	1	
8	17472-93J00	.GASKET, PUMP CASE PANEL	1	
9	11489-96J01	.GASKET, OIL PAN	1	
10	11552-96J00	.GASKET, WTR JACKET COVER	1	
11	51123-96J01	.GASKET, MOUNT OIL SEAL COVER	1	
12	51142-96J00	.GASKET, ENGINE HOLDER COVER	1	
13	51211-96J00	.GASKET, ENGINE HOLDER	1	
14	99011-96J20-059	MANUAL, OWNER'S	1	

FIG.164

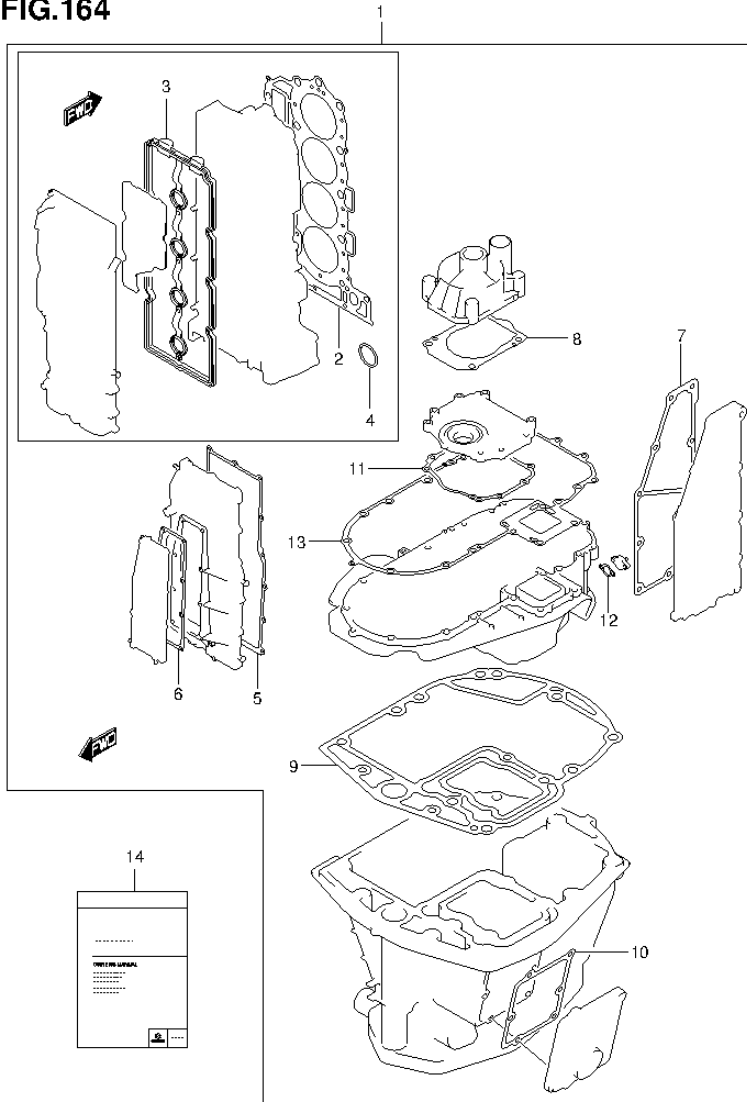


FIG.164 (2-H-5) OPT:GASKET SET (DF175Z E1)

REF NO.	PART NO.	DESCRIPTION	Q'TY	REMARKS
1	11400-96892	GASKET SET	1	
2	11141-96J01	.GASKET, CYLINDER HEAD	1	
3	11189-96J00	.GASKET, CYLINDER HEAD COVER	1	
4	11318-96J00	.O RING, BALANCER OIL GALLERY	1	
5	11332-96J00	.GASKET, BALANCER COVER	1	
6	11342-96J00	.GASKET, BAL WTR JACKET COVER	1	
7	14151-96J00	.GASKET, EXH COVER	1	
8	17472-93J00	.GASKET, PUMP CASE PANEL	1	
9	11489-96J01	.GASKET, OIL PAN	1	
10	11552-96J00	.GASKET, WTR JACKET COVER	1	
11	51123-96J01	.GASKET, MOUNT OIL SEAL COVER	1	
12	51142-96J00	.GASKET, ENGINE HOLDER COVER	1	
13	51211-96J00	.GASKET, ENGINE HOLDER	1	
14-1	99011-96J20-054	MANUAL, OWNER'S	1	
14-2	99011-96J20-059	MANUAL, OWNER'S	1	



FIG.165

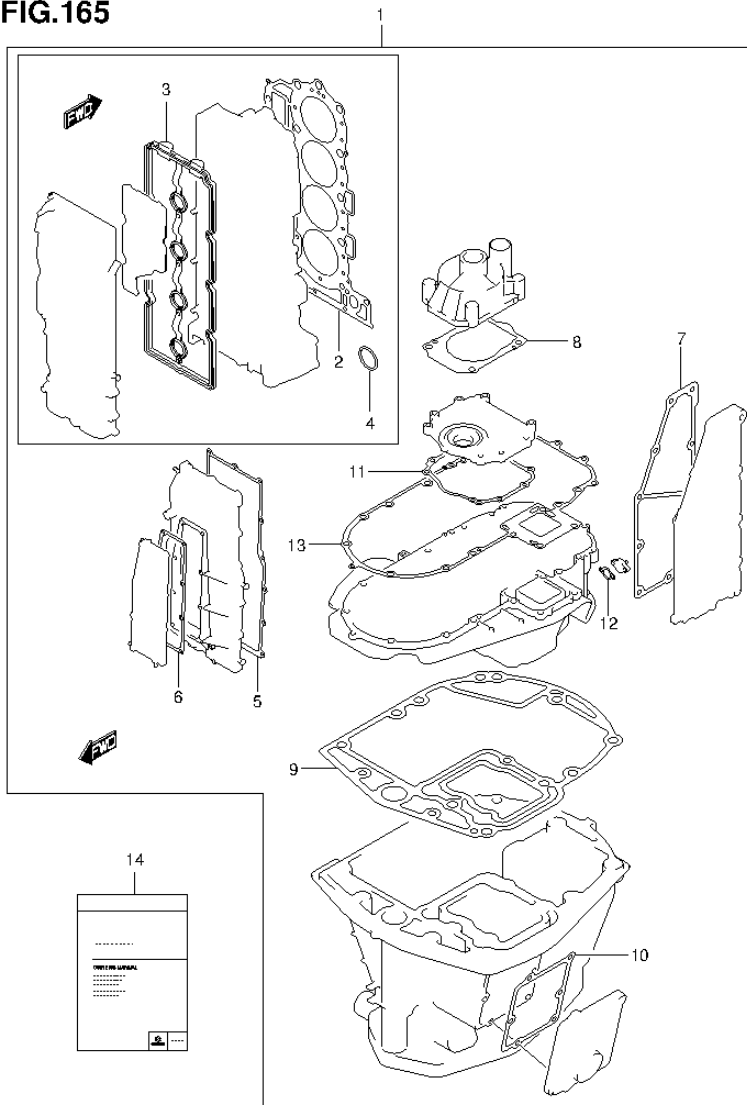


FIG.165 (2-H-6) OPT:GASKET SET (DF175Z E40)

REF NO.	PART NO.	DESCRIPTION	Q'TY	REMARKS
1	11400-96892	GASKET SET	1	
2	11141-96J01	.GASKET, CYLINDER HEAD	1	
3	11189-96J00	.GASKET, CYLINDER HEAD COVER	1	
4	11318-96J00	.O RING, BALANCER OIL GALLERY	1	
5	11332-96J00	.GASKET, BALANCER COVER	1	
6	11342-96J00	.GASKET, BAL WTR JACKET COVER	1	
7	14151-96J00	.GASKET, EXH COVER	1	
8	17472-93J00	.GASKET, PUMP CASE PANEL	1	
9	11489-96J01	.GASKET, OIL PAN	1	
10	11552-96J00	.GASKET, WTR JACKET COVER	1	
11	51123-96J01	.GASKET, MOUNT OIL SEAL COVER	1	
12	51142-96J00	.GASKET, ENGINE HOLDER COVER	1	
13	51211-96J00	.GASKET, ENGINE HOLDER	1	
14	99011-96J20-059	MANUAL, OWNER'S	1	

FIG.166

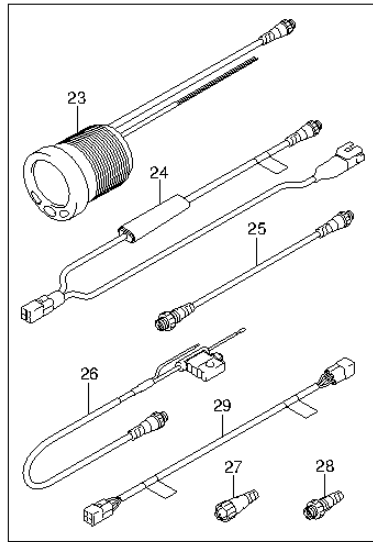
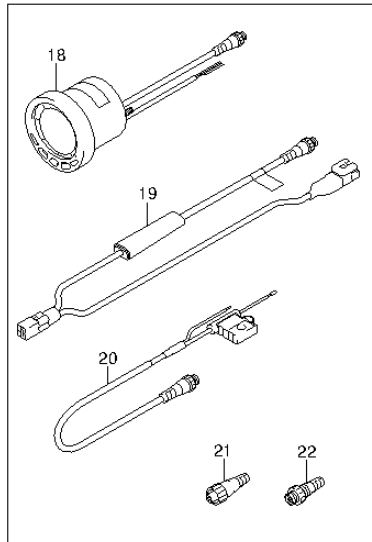
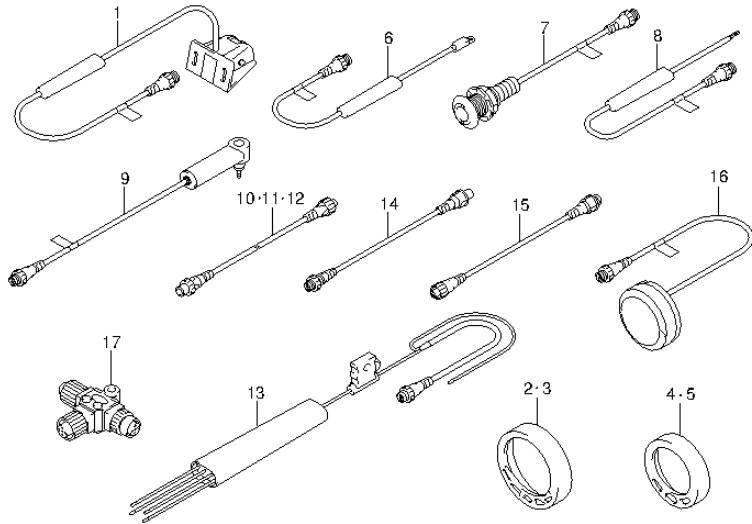


FIG.166 (2-H-7) OPT:LOWRANCE GAUGE

REF NO.	PART NO.	DESCRIPTION	Q'TY	REMARKS
1	34190-88L00	SENSOR ASSY, PAD WHEEL	1	
2	34193-88L00	BEZEL, 4 IN CHR	1	
3	34193-88L20	BEZEL, 4 IN WHITE	1	
4	34193-88L40	BEZEL, 2 IN CHR	1	
5	34193-88L60	BEZEL, 2 IN WHITE	1	
6	34455-88L00	SENSOR ASSY, WATER TEMP	1	
7	34455-88L10	SENSOR ASSY, WATER TEMP	1	
8	34810-88L00	SENSOR ASSY, FLUID LEVEL	1	
9	34960-88L00	SENSOR ASSY, WATER PRESSURE	1	
10	36662-88L10	WIRE, 2 EXTENSION	1	
11	36662-88L20	WIRE, 6 EXTENSION	1	
12	36662-88L30	WIRE, 15 EXTENSION	1	
13	36663-88L10	HARNESS ASSY, NETWORK POWER	1	
14	36666-88L00	WIRE, ADAPTER TO N NETWORK	1	
15	36666-88L10	WIRE, ADAPTER TO L NETWORK	1	
16	39950-88L00	MODULE ASSY, GPS RECEIVER	1	
17	36664-88L00	CONNECTOR, BRANCH	1	
18	34200-88L02	GAUGE ASSY, 4 IN MULTI	1	
19	34922-88L01	UNIT, INTERFACE	1	
20	36663-88L00	HARNESS ASSY, NETWORK POWER	1	
21	36665-88L00	UNIT, RESISTOR FEMALE	1	
22	36665-88L10	UNIT, RESISTOR MALE	1	
23	34800-88L01	GAUGE ASSY, 2 IN MULTI	1	
24	34922-88L01	UNIT, INTERFACE	1	
25	36662-88L00	WIRE, 25 EXTENSION	1	
26	36663-88L00	HARNESS ASSY, NETWORK POWER	1	
27	36665-88L00	UNIT, RESISTOR FEMALE	1	
28	36665-88L10	UNIT, RESISTOR MALE	1	
29	36668-88L00	WIRE, ADAPTER TO DIAGNS	1	

PART NO.	FIG.NO.-REF.NO.	PART NO.	FIG.NO.-REF.NO.	PART NO.	FIG.NO.-REF.NO.
10000			5-10		7-23
			6-10		8-23
			7-10		158-3
			8-10		159-3
			158-2		160-3
11101-96J02	1-1		159-2		161-3
	2-1		160-2		162-3
	3-1		161-2		163-3
	4-1		162-2		164-3
	5-1		163-2		165-3
	6-1		164-2	11191-96J00	1-28
	7-1		165-2		2-28
11112-84400	8-1	11170-96J00	1-22		3-28
	1-6		2-22		4-28
	2-6		3-22		5-28
	3-6		4-22		6-28
	4-6	11170-96J10	5-22		7-28
	5-6		6-22		8-28
	6-6		7-22	11196-96J00	63-1
	7-6		8-22	11216-90J00	1-2
11115-93J10-001	8-6	11173-96J00	1-24		2-2
	1-33		2-24		3-2
	2-33		3-24		4-2
	3-33		4-24		5-2
	4-33		5-24		6-2
	5-33		6-24		7-2
	6-33		7-24		8-2
	7-33		8-24	11261-93J00	1-17
	8-33	11174-96J00	1-30		2-17
11116-93J01	1-7		2-30		3-17
	2-7		3-30		4-17
	3-7		4-30		5-17
	4-7		5-30		6-17
	5-7		6-30		7-17
	6-7		7-30		8-17
	7-7		8-30		9-11
	8-7	11185-96J00	79-12		30-4
11117-96J01	9-2		80-12	11291-96J00	9-17
11119-96J00	1-9		81-12	11292-96J00	30-9
	2-9		82-12	11294-96J00	9-16
	3-9		83-12	11300-96J10	9-1
	4-9		84-12	11318-96J00	9-9
	5-9		85-12		158-4
	6-9		86-12		159-4
	7-9	11189-96J00	1-23		160-4
	8-9		2-23		161-4
11141-96J01	1-10		3-23		162-4
	2-10		4-23		163-4
	3-10		5-23		164-4
	4-10		6-23		165-4

PART NO.	FIG.NO.-REF.NO.	PART NO.	FIG.NO.-REF.NO.	PART NO.	FIG.NO.-REF.NO.
11330-96J10	11-1	11543-96J00	67-6		14-1
11332-96J00	11-2	11544-96J00	67-10		15-1
	158-5	11550-96J00-0EP	67-15-1		16-1
	159-5	11550-96J00-YSS	67-15-2	12701-96J30	17-1
	160-5	11552-96J00	67-16		18-1
	161-5		158-10		19-1
	162-5		159-10		20-1
	163-5		160-10	12705-96J20	13-2
	164-5		161-10		14-2
	165-5		162-10		15-2
11340-96J00	11-4		163-10		16-2
11342-96J00	11-5		164-10	12705-96J30	17-2
	158-6		165-10		18-2
	159-6	12100-96811-025	10-6-2		19-2
	160-6	12100-96811-0A0	10-6-1		20-2
	161-6	12100-96J01-050	10-14	12730-96J00	12-1
	162-6	12111-96J01-0B0	10-1	12734-96J00	12-3
	163-6	12140-96J00	10-2	12740-96J00	17-4
	164-6	12140-96J00-050	10-15		18-4
	165-6	12151-96J00	10-3		19-4
11382-93J00	11-7	12160-96J00	10-4		20-4
11390-96J00	9-7	12221-96J10	10-7	12748-96J00	13-3
11400-96892	158-1	12242-96J00	10-10		14-3
	159-1	12300-85830	10-9-1		15-3
	160-1	12300-85830-012	10-9-2		16-3
	161-1	12300-96811-0BA	10-8-6		17-3
	162-1	12300-96811-0CA	10-8-7		18-3
	163-1	12300-96811-0DA	10-8-8		19-3
	164-1	12300-96811-0EA	10-8-9		20-3
	165-1	12300-96811-0FA	10-8-10	12749-93J00	13-5
11430-96J01	67-1	12340-96J01-0B0	10-8-1		14-5
11489-96J01	67-8	12340-96J01-0C0	10-8-2		15-5
	158-9	12340-96J01-0D0	10-8-3		16-5
	159-9	12340-96J01-0E0	10-8-4		17-6
	160-9	12340-96J01-0F0	10-8-5		18-6
	161-9	12600-96J01	11-9		19-6
	162-9	12632-96J00	65-1		20-6
	163-9	12643-96J00	11-10	12753-93J00	17-7
	164-9	12644-96J00	11-11		18-7
	165-9	12645-96J00	11-15		19-7
11501-96J03-0EP	67-9	12650-96J01	11-16		20-7
11510-96J03	22-6	12660-96J02	11-14	12761-96J00	12-9
	23-6	12662-96J00	11-23	12772-96J00	12-10
	24-6	12665-96J00	11-17	12810-96J00	12-12
	25-6	12670-96J00	11-25	12812-90J00	12-14
	26-6	12671-96J01	11-26	12813-73G00	12-13
	27-6	12672-96J01	11-27	12831-93J01	12-16
	28-6	12673-96J00	11-29	12891-93J00	13-10
	29-6	12695-96J00	11-30		14-10
11540-96J01	67-3	12701-96J20	13-1		15-10

PART NO.	FIG.NO.-REF.NO.	PART NO.	FIG.NO.-REF.NO.	PART NO.	FIG.NO.-REF.NO.
	16-10		18-13-6		20-13-12
	17-12		19-13-6	12892-93J00-248	13-11-13
	18-12		20-13-6		14-11-13
	19-12	12892-93J00-233	13-11-7		15-11-13
	20-12		14-11-7		16-11-13
12892-93J00-218	13-11-1		15-11-7		17-13-13
	14-11-1		16-11-7		18-13-13
	15-11-1		17-13-7		19-13-13
	16-11-1		18-13-7		20-13-13
	17-13-1		19-13-7	12892-93J00-250	13-11-14
	18-13-1		20-13-7		14-11-14
	19-13-1	12892-93J00-235	13-11-8		15-11-14
	20-13-1		14-11-8		16-11-14
12892-93J00-220	13-11-2		15-11-8		17-13-14
	14-11-2		16-11-8		18-13-14
	15-11-2		17-13-8		19-13-14
	16-11-2		18-13-8		20-13-14
	17-13-2		19-13-8	12892-93J00-253	13-11-15
	18-13-2		20-13-8		14-11-15
	19-13-2	12892-93J00-238	13-11-9		15-11-15
	20-13-2		14-11-9		16-11-15
12892-93J00-223	13-11-3		15-11-9		17-13-15
	14-11-3		16-11-9		18-13-15
	15-11-3		17-13-9		19-13-15
	16-11-3		18-13-9		20-13-15
	17-13-3		19-13-9	12892-93J00-255	13-11-16
	18-13-3		20-13-9		14-11-16
	19-13-3	12892-93J00-240	13-11-10		15-11-16
	20-13-3		14-11-10		16-11-16
12892-93J00-225	13-11-4		15-11-10		17-13-16
	14-11-4		16-11-10		18-13-16
	15-11-4		17-13-10		19-13-16
	16-11-4		18-13-10		20-13-16
	17-13-4		19-13-10	12892-93J00-258	13-11-17
	18-13-4		20-13-10		14-11-17
	19-13-4	12892-93J00-243	13-11-11		15-11-17
	20-13-4		14-11-11		16-11-17
12892-93J00-228	13-11-5		15-11-11		17-13-17
	14-11-5		16-11-11		18-13-17
	15-11-5		17-13-11		19-13-17
	16-11-5		18-13-11		20-13-17
	17-13-5		19-13-11	12892-93J00-260	13-11-18
	18-13-5		20-13-11		14-11-18
	19-13-5	12892-93J00-245	13-11-12		15-11-18
	20-13-5		14-11-12		16-11-18
12892-93J00-230	13-11-6		15-11-12		17-13-18
	14-11-6		16-11-12		18-13-18
	15-11-6		17-13-12		19-13-18
	16-11-6		18-13-12		20-13-18
	17-13-6		19-13-12	12892-93J00-263	13-11-19

PART NO.	FIG.NO.-REF.NO.	PART NO.	FIG.NO.-REF.NO.	PART NO.	FIG.NO.-REF.NO.
	14-11-19		16-11-25		18-13-31
	15-11-19		17-13-25		19-13-31
	16-11-19		18-13-25		20-13-31
	17-13-19		19-13-25	12892-93J00-295	13-11-32
	18-13-19		20-13-25		14-11-32
	19-13-19	12892-93J00-280	13-11-26		15-11-32
	20-13-19		14-11-26		16-11-32
12892-93J00-265	13-11-20		15-11-26		17-13-32
	14-11-20		16-11-26		18-13-32
	15-11-20		17-13-26		19-13-32
	16-11-20		18-13-26		20-13-32
	17-13-20		19-13-26	12892-93J00-298	13-11-33
	18-13-20		20-13-26		14-11-33
	19-13-20	12892-93J00-283	13-11-27		15-11-33
	20-13-20		14-11-27		16-11-33
12892-93J00-268	13-11-21		15-11-27		17-13-33
	14-11-21		16-11-27		18-13-33
	15-11-21		17-13-27		19-13-33
	16-11-21		18-13-27		20-13-33
	17-13-21		19-13-27	12892-93J00-300	13-11-34
	18-13-21		20-13-27		14-11-34
	19-13-21	12892-93J00-285	13-11-28		15-11-34
	20-13-21		14-11-28		16-11-34
12892-93J00-270	13-11-22		15-11-28		17-13-34
	14-11-22		16-11-28		18-13-34
	15-11-22		17-13-28		19-13-34
	16-11-22		18-13-28		20-13-34
	17-13-22		19-13-28	12911-93J00	13-12
	18-13-22		20-13-28		14-12
	19-13-22	12892-93J00-288	13-11-29		15-12
	20-13-22		14-11-29		16-12
12892-93J00-273	13-11-23		15-11-29		17-14
	14-11-23		16-11-29		18-14
	15-11-23		17-13-29		19-14
	16-11-23		18-13-29		20-14
	17-13-23		19-13-29	12915-93J00	13-13
	18-13-23		20-13-29		15-13
	19-13-23	12892-93J00-290	13-11-30		17-15
	20-13-23		14-11-30		19-15
12892-93J00-275	13-11-24		15-11-30		14-13
	14-11-24		16-11-30	12915-93J50	16-13
	15-11-24		17-13-30		18-15
	16-11-24		18-13-30		20-15
	17-13-24		19-13-30	12921-93J10	13-14
	18-13-24		20-13-30		14-14
	19-13-24	12892-93J00-293	13-11-31		15-14
	20-13-24		14-11-31		16-14
12892-93J00-278	13-11-25		15-11-31		17-16
	14-11-25		16-11-31		18-16
	15-11-25		17-13-31		19-16

PART NO.	FIG.NO.-REF.NO.	PART NO.	FIG.NO.-REF.NO.	PART NO.	FIG.NO.-REF.NO.
12931-78G00	20-16		34-2		165-7
	13-15		35-2	15100-96J0V	47-1
	14-15		36-2		49-1
	15-15		37-2		51-1
	16-15		38-2		53-1
12932-24400	17-17	13510-96J00	64-1	15100-96J10	48-1
	18-17	13580-93J02	97-1		50-1
	19-17		98-1		52-1
	20-17		99-1		54-1
	13-16		100-1	15190-96J21	47-2
	14-16		101-1		48-2
	15-16		102-1		49-2
	16-16		103-1		50-2
	17-18		104-1		51-2
	18-18	13650-52G00	88-1		52-2
12933-69G10	19-18	13655-87J00	88-2		53-2
	20-18	13710-96J00	22-1		54-2
	13-17		23-1	15192-96J11	47-5
	14-17		24-1		48-5
	15-17		25-1		49-5
	16-17		26-1		50-5
	17-19		27-1		51-5
	18-19		28-1		52-5
	19-19		29-1		53-5
	20-19	13730-96J01	21-24		54-5
13110-96J00	21-20	13810-96J00	22-3	15193-96J11	47-6
13119-96J00	21-21		23-3		48-6
13125-96J00	21-22		24-3		49-6
13144-96J00	47-23		25-3		50-6
13162-93J00	48-23		26-3		51-6
	49-23		27-3		52-6
	50-23		28-3		53-6
	51-23		29-3		54-6
	52-23	13813-96J00	22-2		47-7
	53-23		23-2	15194-96J11	48-7
	54-23		24-2		49-7
	21-2		25-2		50-7
	31-12		26-2		51-7
	32-12		27-2		52-7
33-12		28-2		53-7	
13254-01010	34-12		29-2		54-7
	35-12	14141-96J00	30-1	15198-96J00	64-19
	36-12	14151-96J00	30-2	15200-96J00	31-4
	37-12		158-7		33-4
	38-12		159-7		35-4
	13300-96J00		160-7		37-4
	13315-96J00		161-7	15200-96J10	32-4
	13370-96J00		162-7		34-4
	32-2		163-7		36-4
	33-2		164-7		38-4

PART NO.	FIG.NO.-REF.NO.	PART NO.	FIG.NO.-REF.NO.	PART NO.	FIG.NO.-REF.NO.
15410-96J00	47-8		35-1	15647-93J10	32-5
	48-8		37-1		34-5
	49-8	15600-96J11	32-1		36-5
	50-8		34-1		38-5
	51-8		36-1	15650-96J00	31-11
	52-8		38-1		32-11
15410-98500	53-8	15626-96J00	31-6		33-11
	54-8		32-6		34-11
	31-22		33-6		35-11
	32-22		34-6		36-11
	33-22		35-6		37-11
	34-22		36-6		38-11
	35-22		37-6	15660-96J11	31-21
	36-22		38-6		32-21
	37-22	15628-99E00	31-7		33-21
	38-22		32-7		34-21
15419-87J00	47-9		33-7		35-21
	48-9		34-7		36-21
	49-9		35-7		37-21
	50-9		36-7		38-21
	51-9		37-7	15681-87L00	39-2
	52-9		38-7		40-2
	53-9	15629-99E10	31-8		41-2
	54-9		32-8		42-2
	47-11		33-8		43-2
	48-11	15421-96J00	34-8		44-2
15422-96J00	49-11		35-8		45-2
	50-11		36-8		46-2
	51-11		37-8	15681-96J11	39-3
	52-11		38-8		40-3
	53-11	15641-96J00	31-9		41-3
	54-11		32-9		42-3
	47-12		33-9		43-3
	48-12		34-9		44-3
	49-12		35-9		45-3
	50-12		36-9		46-3
15440-96J01	51-12		37-9	15683-87J00	31-16
	52-12		38-9		32-16
	53-12	15642-90J00	31-10		33-16
	54-12		32-10		34-16
	39-1		33-10		35-16
	41-1		34-10		36-16
	43-1		35-10		37-16
	45-1		36-10		38-16
	40-1		37-10	15690-96J01	31-35
	42-1		38-10		32-35
15440-96J11	44-1	15647-93J00	31-5		33-35
	46-1		33-5		34-35
	31-1		35-5		35-35
	33-1		37-5		36-35

PART NO.	FIG.NO.-REF.NO.	PART NO.	FIG.NO.-REF.NO.	PART NO.	FIG.NO.-REF.NO.
15710-96J00	37-35		43-8		41-13
	38-35		44-8		42-13
	39-4		45-8		43-13
	40-4		46-8		44-13
	41-4	15773-90J00	39-9	45-13	
	42-4		40-9	15852-96J00	46-13
	43-4		41-9		39-35
	44-4		42-9		40-35
	45-4		43-9		41-35
	46-4		44-9		42-35
15717-16G00	39-5		45-9		43-35
	40-5		46-9		44-35
	41-5	15790-96J00	39-10		45-35
	42-5		40-10		46-35
	43-5		41-10	16113-96J00	65-2
	44-5		42-10	16400-96J00	65-3
15751-96J00	45-5		43-10	16510-96J00	66-1
	46-5		44-10	16519-93J00	109-2
	39-6		45-10	16520-96J01	65-4
	40-6		46-10	16540-96J00	66-2
	41-6	15830-77EA0	39-11	16543-96J00	66-3
	42-6		41-11	16550-93J00	17-9
	43-6		43-11		18-9
	44-6		45-11		19-9
	45-6	15830-90J00	40-28		20-9
	46-6		42-28	16551-93J00	13-7
15760-93J00	31-14		44-28		14-7
	32-14		46-28		15-7
	33-14	15830-99E00	39-12		16-7
	34-14		40-12	16555-93J00	17-10
	35-14		41-12		18-10
15762-90J00	36-14		42-12		19-10
	37-14		43-12		20-10
	38-14		44-12	16559-93J00	13-8
	40-18		45-12		14-8
	42-18		46-12		15-8
15762-93J00	44-18	15831-96J00	47-13		16-8
	46-18		48-13	16910-96J01	67-22
	39-7		49-13	16930-96J00	67-23
	41-7		50-13	17400-96J02	55-17
	43-7		51-13		56-17
15762-93J10	45-7		52-13		57-17
	40-7		53-13		58-17
	42-7		54-13		59-17
	44-7	15832-93J00	40-11		60-17
	46-7		42-11		61-17
15770-96J00	39-8		44-11		62-17
	40-8		46-11	17411-96J01	55-1
	41-8	15851-96J01	39-13		56-1
	42-8		40-13		57-1

PART NO.	FIG.NO.-REF.NO.	PART NO.	FIG.NO.-REF.NO.	PART NO.	FIG.NO.-REF.NO.
	58-1		163-8		118-9
	59-1		164-8	17611-90J00-0EP	63-2-1
	60-1		165-8	17611-90J00-Y5S	63-2-2
	61-1	17560-96J00	55-7-1	17631-93J20	55-11-1
	62-1		56-7-1		56-11-1
17413-96J01	55-2		57-7-1		57-11-1
	57-2		58-7-1		58-11-1
	59-2		59-7-1		59-11-1
	61-2		60-7-1		60-11-1
17413-96J11	56-2		61-7-1		61-11-1
	58-2		62-7-1		62-11-1
	60-2	17561-96J10	55-7-2	17631-93J30	55-11-2
	62-2		56-7-2		56-11-2
17416-96J00	55-3		57-7-2		57-11-2
	56-3		58-7-2		58-11-2
	57-3		59-7-2		59-11-2
	58-3		60-7-2		60-11-2
	59-3		61-7-2		61-11-2
	60-3		62-7-2		62-11-2
	61-3	17562-93J00	55-8	17632-93J20	55-12-1
	62-3		56-8		56-12-1
17461-90J01	55-4		57-8		57-12-1
	56-4		58-8		58-12-1
	57-4		59-8		59-12-1
	58-4		60-8		60-12-1
	59-4		61-8		61-12-1
	60-4		62-8		62-12-1
	61-4	17563-93J00	55-9	17632-93J30	55-12-2
	62-4		56-9		56-12-2
17471-93J02	55-5		57-9		57-12-2
	57-5		58-9		58-12-2
	59-5		59-9		59-12-2
	61-5		60-9		60-12-2
17471-93J12	56-5		61-9		61-12-2
	58-5		62-9		62-12-2
	60-5	17564-93J00	55-10	17660-90J00	63-5
	62-5		56-10	17670-90J10	63-6-2
17472-93J00	55-6		57-10	17670-90J20	63-6-1
	56-6		58-10	17680-96J00	63-7
	57-6		59-10	17913-93J00	67-18
	58-6		60-10		119-11
	59-6		61-10		120-11
	60-6		62-10		121-11
	61-6	17566-87D11	111-6		122-11
	62-6		112-6		123-11
	158-8		113-9		124-11
	159-8		114-9		125-11
	160-8		115-6		126-11
	161-8		116-6	17914-93J00	67-19
	162-8		117-9		119-12

PART NO.	FIG.NO.-REF.NO.	PART NO.	FIG.NO.-REF.NO.	PART NO.	FIG.NO.-REF.NO.
	120-12		54-15		
	121-12	18498-99E10	47-3		
	122-12		47-14	20000	
	123-12		47-16		
	124-12		48-3		
	125-12		48-14	21100-96J01	68-1
17917-87L00	126-12		48-16	21131-93J00	68-2
	120-36		49-3	21151-96J00	68-9
	122-36		49-14	21155-93J00	68-11
	124-36		49-16	21210-93J00	68-13
	126-36		50-3	21230-93J00	68-14
	140-3		50-14	22511-99011	68-15
	142-3		50-16		106-1
	144-3		51-3	23111-93J00	68-16-2
	146-3		51-14	23111-96J00	68-16-1
18117-93J00	21-3		51-16	23115-96J00	68-5
18119-96J00	21-4		52-3	25111-93J00	69-1-2
18137-93J00	21-5		52-14	25111-96J00	69-1-1
18498-87JC0	31-24		52-16	25131-93J00	69-2
	31-25		53-3	25141-93J00	69-5
	32-24		53-14	25223-94400	68-17
	32-25		53-16		69-6
	33-24		54-3	25232-96302	69-3
	33-25		54-14	25321-93J00	69-8
	34-24		54-16	25700-93J00	111-30
	34-25	18498-99E20	39-14		112-30
	35-24		39-16		113-33
	35-25		40-14		114-33
	36-24		40-16		115-30
	36-25		41-14		116-30
	37-24		41-16		117-33
	37-25		42-14		118-33
	38-24		42-16	29103-93J00	88-12
	38-25		43-14	29116-93J00	67-2
18498-87JD0	63-24		43-16		67-5
18498-93J00	39-15		44-14		69-9
	40-15		44-16	29141-93J20	107-19
	41-15		45-14		110-4
	42-15		45-16	29404-93J10	88-6
	43-15		46-14		108-20
	44-15		46-16	29404-93J20	39-37
	45-15	18590-68H00	21-6		40-37
	46-15	19115-96J00	64-2		41-37
18498-96J20	47-15	19121-93J02	64-3		42-37
	48-15	19148-96J00	64-4		43-37
	49-15	19184-96J00	64-5		44-37
	50-15	19185-96J01	64-6		45-37
	51-15				46-37
	52-15				
	53-15				

PART NO.	FIG.NO.-REF.NO.	PART NO.	FIG.NO.-REF.NO.	PART NO.	FIG.NO.-REF.NO.
			86-4		33920-96JD0
		32160-88L10	79-5		98-14
			80-5		100-14
			81-5		102-14
			82-5	33925-93J00	104-14
			83-5		97-15
			84-5		98-15
			85-5		99-15
			86-5		100-15
			87-1		101-15
		32800-96J00	87-2		102-15
			87-2		103-15
		32805-96J00	87-3		104-15
		32890-96J00	78-3		104-15
		33220-58J20	79-7	34100-93J00	138-3-1
			108-8	34100-93J11	138-3-2
			78-4	34100-93J20	138-3-3
			78-5	34100-93J31	138-3-4
			78-6	34100-93J40	138-3-5
			78-7	34100-93J51	138-3-6
			78-8	34100-93J60	138-3-7
			78-9	34190-87D00	138-23
			108-3	34190-88L00	166-1
		33410-93J00	78-10	34190-95500	138-24
		33634-96J00	78-11	34191-92E00	138-5
			108-11		138-17
			78-12	34193-88L00	166-2
			108-10	34193-88L20	166-3
			78-13	34193-88L40	166-4
			78-14	34193-88L60	166-5
			78-15	34200-87L11	139-1
			78-16	34200-88L02	166-18
		33799-97E00	78-17	34200-93J00	137-3-1
		33810-96J00	78-20		138-20-1
			78-18	34200-93J11	137-3-2
			78-19		138-20-2
			78-21	34300-93J00	138-10-1
			79-1	34300-93J11	138-10-2
			80-1	34310-92E00	138-11
			81-1	34360-92E00	138-12
		33830-96J00	82-1	34455-88L00	166-6
			83-1	34455-88L10	166-7
			84-1	34500-93J00	138-14-1
			85-1	34500-93J11	138-14-2
			86-1	34600-93J00	138-8-1
		32120-96J00	79-4	34600-93J11	138-8-2
			80-4	34650-93J20	138-16-1
			81-4	34650-93J31	138-16-2
			82-4	34660-96J00	140-5
		33920-96JC0	83-4		141-4
			84-4		142-5
			85-4		143-4

PART NO.	FIG.NO.-REF.NO.	PART NO.	FIG.NO.-REF.NO.	PART NO.	FIG.NO.-REF.NO.
	144-5		91-22	36625-93J10	89-32-2
	145-4		92-22		90-32-2
	146-5		93-22		91-32-2
	147-4		94-22		92-32-2
34800-88L01	166-23		95-22		93-32-2
34800-93J00	137-1-1		96-22		94-32-2
	138-1-1	36617-93J10	88-11		95-32-2
34800-93J11	137-1-2	36617-96J00	89-23		96-32-2
	138-1-2		90-23	36628-92E00	150-3
34801-99E04	88-3		91-23	36646-93J01	150-2
34810-88L00	166-8		92-23	36661-87L00	139-2
34830-87J20	88-8		93-23	36661-93J00	148-16
	88-9		94-23	36661-98J00	148-3
34921-98J00	148-1		95-23	36662-88L00	139-4
34921-98J10	148-9		96-23		166-25
34922-88L01	166-19	36620-93J02	150-55-1	36662-88L10	166-10
	166-24	36620-93J10	140-1-1	36662-88L20	166-11
34922-98J02	148-2		141-1-1	36662-88L30	166-12
34960-88L00	166-9		142-1-1	36662-98J00	148-10-1
36610-96J40	89-7		143-1-1	36662-98J10	148-10-2
	90-7		144-1-1	36663-88L00	139-5
	91-7		145-1-1		166-20
	92-7		146-1-1		166-26
36610-96J50	93-7		147-1-1	36663-88L10	166-13
	94-7	36620-93J30	140-2	36663-98J00	148-11-1
	95-7		141-2	36663-98J10	148-11-2
	96-7		142-2	36664-88L00	166-17
36612-96J00	89-19		143-2	36664-98J00	148-6
	90-19		144-2	36664-98J10	148-13
	91-19		145-2	36665-88L00	139-6
	92-19		146-2		166-21
	93-19	36620-93J40	147-2		166-27
	94-19		140-1-2	36665-88L10	139-7
	95-19		141-1-2		166-22
	96-19		142-1-2		166-28
36615-96300	137-4		143-1-2	36665-98J00	148-7
	138-7		144-1-2	36666-87L00	139-8
	138-21		145-1-2	36666-88L00	166-14
	139-3		146-1-2	36666-88L10	166-15
	148-4		147-1-2	36666-98J00	148-14
36616-96J00	89-3	36620-93J52	150-55-2	36666-98J10	148-8
	90-3	36620-93J62	150-55-3	36667-98J00	148-15
	91-3	36625-93J00	89-32-1	36668-88L00	166-29
	92-3		90-32-1	36721-96J00	89-11
	93-3		91-32-1		90-11
	94-3		92-32-1		91-11
	95-3		93-32-1		92-11
	96-3		94-32-1		93-11
36617-93J00	89-22		95-32-1		94-11
	90-22		96-32-1		95-11

PART NO.	FIG.NO.-REF.NO.	PART NO.	FIG.NO.-REF.NO.	PART NO.	FIG.NO.-REF.NO.
	96-11		149-27-2	37210-93J00	149-13
36737-96J00	89-10		150-5-2	37212-93J00	149-14
	90-10	37141-99E20	149-6-3	37220-92E00	151-16
	91-10		149-17-3	37721-92E10	152-11
	92-10		149-27-3	37721-93J00	97-5
	93-10		150-5-3		98-5
	94-10	37141-99E30	149-6-4		99-5
	95-10		149-17-4		100-5
	96-10		149-27-4		101-5
36738-96J00	89-12		150-5-4		102-5
	90-12	37141-99E40	149-6-5		103-5
	91-12		149-17-5		104-5
	92-12		149-27-5	37721-93J90	150-8
	93-12		150-5-5	37721-95500	154-11
	94-12	37141-99E50	149-6-6		156-12
	95-12		149-17-6	37722-93J11	97-10
	96-12		149-27-6		98-10
36890-93J00	153-16		150-5-6		99-10
	155-23	37141-99E60	149-6-7		100-10
36890-93J10	151-15		149-17-7		101-10
36894-87D00	106-2		149-27-7		102-10
	106-26		150-5-7		103-10
	107-23	37141-99E70	149-6-8		104-10
	110-22		149-17-8	37725-96J00	97-8
36895-87D10	107-25		149-27-8		98-8
	110-9		150-5-8		99-8
36990-87D00	140-12	37141-99E80	149-6-9		100-8
	141-11		149-17-9		101-8
	142-12		149-27-9		102-8
	143-11		150-5-9		103-8
	144-12	37141-99E90	149-6-10		104-8
	145-11		149-17-10	37729-93J00	97-2
	146-12		149-27-10		98-2
	147-11		150-5-10		99-2
37100-96J00	149-1	37141-99EA0	149-6-11		100-2
37100-96J13	149-15		149-17-11		101-2
37100-96J23	149-25		149-27-11		102-2
37110-93J01	149-5		150-5-11		103-2
	149-16	37141-99EB0	149-6-12		104-2
	149-26		149-17-12	37803-93J03	149-9
37110-93J11	150-4		149-27-12	37805-93J00	149-11
37139-99E00	149-2		150-5-12	37820-93J03	149-30
37139-99E10	149-21	37143-99E00	149-7		150-9
37139-99E20	149-33		149-18	37820-93J93	149-20
37141-99E00	149-6-1		149-28	37820-99E01	88-10
	149-17-1		150-6	37823-92E01	149-31
	149-27-1	37149-93J00	149-8		150-10
	150-5-1		149-19	37825-99E00	149-10
37141-99E10	149-6-2		149-29	37826-92E00	149-32
	149-17-2		150-7		150-11



PART NO.	FIG.NO.-REF.NO.	PART NO.	FIG.NO.-REF.NO.	PART NO.	FIG.NO.-REF.NO.
37850-90J05	150-12		92-14	48145-93J00	105-17
37850-92E26	155-5		93-13	48311-96J10	107-15
37850-93J10	151-4		93-14	48321-87D03	107-16
	153-4		94-13	48326-95E00	107-17
37850-99E04	97-9		94-14	48401-96J01	107-2
	98-9		95-13	48405-87D00	107-9
	99-9		95-14	48502-96J05	108-12
	100-9		96-13	48503-96J03	107-1
	101-9		96-14	48570-95E01	107-11
	102-9	39950-87L00	139-9	48572-95E00	107-12
	103-9	39950-88L00	166-16	48582-95E01	108-13
	104-9			48583-95E00	108-15
37855-99E00	149-12			48585-95E00	108-16
37859-90J00	150-54			48588-94900	108-17
38100-96J01	108-1			48601-94900	107-3
38410-93J12	97-12			48615-97E00	107-10
	98-12			48627-95E00	107-4
	99-12			48630-96J02	107-5
	100-12			48633-94900	107-6
	101-12			48641-96J02	107-7
	102-12	41111-96J21-0EP	105-1-1	48650-94900	107-8
	103-12	41111-96J21-Y5S	105-1-2	48861-92J01	107-13
	104-12	41118-96J00	88-18	48862-92J20	108-18
38415-93J00	97-13	41121-96J11-0EP	105-2-1	48862-92J30	108-19
	98-13	41121-96J11-Y5S	105-2-2	48864-96J10	108-14
	99-13	41130-92J03	105-3		
	100-13	41135-92J00	105-4		
	101-13	41153-93J00	105-6		
	102-13	41155-93J02	105-11		
	103-13	41161-94400	136-1		
	104-13	41220-96J10	106-15		
38500-93J00	140-4	41224-95E01	106-17	51111-96J00-0EP	109-1-1
	141-3	41230-96J00	106-18	51111-96J00-Y5S	109-1-2
	142-4	41233-95E10	106-19	51115-90J10	109-4
	143-3	41234-96J10	106-16	51120-96J00	109-9
	144-4	43111-96J00-0EP	106-3-1	51122-96J01	109-10
	145-3	43111-96J00-Y5S	106-3-2	51123-96J01	109-13
	146-4	43111-96J10-0EP	106-3-3		
	147-3	43111-96J10-Y5S	106-3-4		
38500-93J90	149-3	43117-96J00	88-15		
	149-23	43118-96J00	88-17		
	149-35	43211-93J00	106-4		
	150-13	43711-97E00	106-5		
38860-76F01	89-13	43750-96J02-0EP	106-6-1		
	89-14	43750-96J02-Y5S	106-6-2	51124-93J00	109-11
	90-13	43750-96J12-0EP	106-6-3	51125-93J00	109-12
	90-14	43750-96J12-Y5S	106-6-4	51140-96J00	109-17
	91-13	48121-92J00	107-14	51142-96J00	109-18
	91-14	48140-93J01	105-14		
	92-13	48144-93J00	105-15		

PART NO.	FIG.NO.-REF.NO.	PART NO.	FIG.NO.-REF.NO.	PART NO.	FIG.NO.-REF.NO.
	160-12		115-8-1		115-14
	161-12		116-8		116-14
	162-12		117-11-1		117-17
	163-12		118-11		118-17
	164-12	55125-98J00-Y5S	111-8-2	55333-87D10	111-15
	165-12		113-11-2		112-15
51161-96J00-0EP	109-20		115-8-2		113-18
51162-96J00	109-21		117-11-2		114-18
51170-96J00	109-23	55127-87D00	111-16		115-15
51211-96J00	109-3		112-16		116-15
	158-13		113-19		117-18
	159-13		114-19		118-18
	160-13		115-16	56120-93J03-0EP	70-26-1
	161-13		116-16		71-26
	162-13		117-19		74-26-1
	163-13		118-19		75-26
	164-13	55128-93J10	111-10	56120-93J03-Y5S	70-26-2
	165-13		112-10		74-26-2
	110-1-1		113-13	56120-93J13-0EP	72-27-1
52111-96J00-0EP	110-1-2		114-13		73-27
52111-96J00-Y5S	110-1-3		115-10		76-27-1
52111-96J10-0EP	110-1-4		116-10		77-27
52111-96J10-Y5S	109-32		117-13	56120-93J13-Y5S	72-27-2
54112-96J01	109-30		118-13		76-27-2
54121-96J01	109-39	55320-94900	105-12	56130-93J01	70-33
54122-96J00	109-38	55321-87J00	1-19		71-33
54127-96J00	109-31		2-19		72-34
54130-96J01	109-35		3-19		73-34
54137-93J02	110-11		4-19		74-33
54151-96J01	110-12		5-19		75-33
54160-96J01	110-23		6-19		76-34
54167-96J00	110-13-1		7-19		77-34
54211-96J01	110-13-2		8-19	56140-93J01	70-36
54211-96J01-Y5S	110-14		9-13		71-36
54221-96J00-0EP	111-1-1		30-6		74-36
55110-93J20-0EP	112-1		106-13-1		75-36
	115-1-1	55321-87J10	106-13-2	56140-93J10	72-37
	116-1	55321-93J00	111-12		73-37
55110-93J20-Y5S	111-1-2		112-12		76-37
	115-1-2		113-15		77-37
55110-93J30-0EP	113-1-1		114-15	56145-93J00	113-3
	114-1		115-12		114-3
	117-1-1		116-12		117-3
	118-1		117-15		118-3
55110-93J30-Y5S	113-1-2		118-15	57110-96J30	70-1-2
	117-1-2	55321-94910	105-18		71-1-2
55125-98J00-0EP	111-8-1	55332-87D11	111-14		72-1-2
	112-8		112-14		73-1-2
	113-11-1		113-17		74-1-2
	114-11		114-17		75-1-2

PART NO.	FIG.NO.-REF.NO.	PART NO.	FIG.NO.-REF.NO.	PART NO.	FIG.NO.-REF.NO.
57110-96J40	76-1-2	57621-93J10	77-15	58105-93J10	116-23
	77-1-2		70-18		117-26
	70-1-1		71-18		118-26
	71-1-1		74-18		111-21
	72-1-1		75-18		112-21
57130-87D10 57133-93J00	73-1-1	57621-93J20	72-16	58200-93L00	113-24
	74-1-1		73-16		114-24
	75-1-1		76-16		115-21
	76-1-1		77-16		116-21
	77-1-1		72-23		117-24
57134-93J00	110-7	57630-92E00	73-23	58200-93L10	118-24
	70-2		76-23		111-20-1
	71-2		77-23		112-20-1
	72-2		111-29		115-20-1
	73-2		112-29		116-20-1
57300-96810	74-2	57631-93J00	113-32	58200-93L20	111-20-2
	75-2		114-32		112-20-2
	76-2		115-29		115-20-2
	77-2		116-29		116-20-2
	70-3		117-32		111-20-3
57300-96820	71-3	57632-93L00	118-32	58200-93L30	112-20-3
	72-3		70-20		115-20-3
	73-3		71-20		116-20-3
	74-3		72-18		111-20-4
	75-3		73-18		112-20-4
57500-87852	76-3	57633-87D30	74-20	58200-93L40	115-20-4
	77-3		75-20		116-20-4
	70-6		76-18		111-20-5
	71-6		77-18		112-20-5
	74-6		111-24		115-20-5
57500-87861	75-6	58105-93J00	112-24	58200-93L50	116-20-5
	72-6		113-27		111-20-6
	73-6		114-27		112-20-6
	76-6		115-24		115-20-6
	77-6		116-24		116-20-6
57610-93J00	70-10	58105-93J00	117-27	58200-93L60	111-20-7
	71-10		118-27		112-20-7
	74-10		111-25		115-20-7
	75-10		112-25		116-20-7
	70-10		113-28		111-20-8
57610-93J20	71-10	58200-93L70	114-28	58200-93L80	112-20-8
	74-10		115-25		115-20-8
	75-10		116-25		116-20-8
	70-17		117-28		111-20-9
	71-17		118-28		112-20-9
57610-93J00	74-17	58200-93L80	111-23	58200-93LA0	115-20-9
	75-17		112-23		116-20-9
	72-15		113-26		113-23-1
	73-15		114-26		114-23-1
	76-15		115-23		117-23-1

PART NO.	FIG.NO.-REF.NO.	PART NO.	FIG.NO.-REF.NO.	PART NO.	FIG.NO.-REF.NO.
58200-93LB0	118-23-1	58200-96JB0	114-25-4	58300-93JC0	118-23-9
	113-23-2		117-25-4		113-23-10
	114-23-2		118-25-4		114-23-10
	117-23-2		113-25-1		117-23-10
	118-23-2		114-25-1		118-23-10
58200-93LC0	113-23-3	58200-96JC0	117-25-1	58300-93JD0	113-23-11
	114-23-3		118-25-1		114-23-11
	117-23-3		113-25-2		117-23-11
	118-23-3		114-25-2		118-23-11
	113-23-4		117-25-2		
58200-93LD0	114-23-4	58200-96JD0	118-25-2	60000	
	117-23-4		113-25-3		
	118-23-4		114-25-3		
	113-23-5		117-25-3		
	114-23-5		118-25-3		
58200-93LE0	117-23-5	58200-96JE0	113-25-5	61112-96J10	127-2
	118-23-5		114-25-5		127A-2
	113-23-6		117-25-5		128-2
	114-23-6		118-25-5		129-2
	117-23-6		113-25-6		129A-2
58200-93LF0	118-23-6	58200-96JF0	114-25-6	61124-96J01	130-2
	113-23-7		117-25-6		131-2
	114-23-7		118-25-6		131A-2
	117-23-7		111-20-10		132-2
	118-23-7		112-20-10		133-2
58200-96J00	111-22-1	58300-93J10	115-20-10	61124-96J01	133A-2
	112-22-1		116-20-10		134-2
	115-22-1		111-20-11		119-29
	116-22-1		112-20-11		120-29
	111-22-2		115-20-11		121-29
58200-96J10	112-22-2	58300-93J20	116-20-11	61131-96J02-0EP	122-29
	115-22-2		111-20-12		123-29
	116-22-2		112-20-12		124-29
	111-22-3		115-20-12		125-29
	112-22-3		116-20-12		126-29
58200-96J30	115-22-3	58300-93J30	111-20-13	61131-96J02-0EP	119-1-1
	116-22-3		112-20-13		120-1-1
	111-22-4		115-20-13		121-1-1
	112-22-4		116-20-13		122-1-1
	115-22-4		111-20-14		123-1-1
58200-96J40	116-22-4	58300-93J40	112-20-14	61131-96J02-Y5S	124-1-1
	111-22-5		115-20-14		125-1-1
	112-22-5		116-20-14		126-1-1
	115-22-5		113-23-8		119-1-2
	116-22-5		114-23-8		123-1-2
58200-96J50	111-22-6	58300-93JA0	117-23-8	61131-96J12-0EP	125-1-2
	112-22-6		118-23-8		119-1-3
	115-22-6		113-23-9		120-1-2
	116-22-6		114-23-9		121-1-2
	113-25-4		117-23-9		122-1-2

PART NO.	FIG.NO.-REF.NO.	PART NO.	FIG.NO.-REF.NO.	PART NO.	FIG.NO.-REF.NO.
61131-96J12-Y5S	123-1-3	61422-96J42	133A-1	61435-96J40	132-24
	124-1-2		127-23		133-24
	125-1-3		128-23		134-24
	126-1-2		129-23		127A-24
	119-1-4		130-23		129A-24
61134-96J00	121-1-3	61422-96J52	131-23	61435-96J50	131A-24
	123-1-4		132-23		133A-24
	125-1-4		133-23		127-10
	119-7		134-23		127A-10
	120-7		127-3		128-10
61141-96J02-0EP	121-7	61430-96J10	127A-3	61438-96J10	129-10
	122-7		128-3		129A-10
	123-7		129-3		130-10
	124-7		129A-3		131-10
	125-7		130-3		131A-10
61141-96J02-Y5S	126-7	61431-96J20-0EP	131-3	61439-96J10	132-10
	119-2-1		131A-3		133-10
	120-2-1		132-3		133A-10
	121-2-1		133-3		134-10
	122-2-1		133A-3		127-11
61141-96J02-0EP	123-2-1	61431-96J20-0EP	134-3	61443-96J22	127A-11
	124-2-1		127-8		128-11
	125-2-1		128-8		129-11
	126-2-1		129-8		129A-11
	119-2-2		130-8		130-11
61141-96J12-0EP	123-2-2	61431-96J20-Y5S	131-8	61443-96J30	131-11
	125-2-2		132-8		131A-11
	119-2-3		133-8		132-11
	120-2-2		134-8		133-11
	121-2-2		127A-8		133A-11
61141-96J12-Y5S	122-2-2	61432-96J11	129A-8	61446-87L12	134-11
	123-2-3		131A-8		127-21
	124-2-2		133A-8		128-21
	125-2-3		127-9		129-21
	126-2-2		127A-9		130-21
61410-96856-0EP	119-2-4	61435-96J22	128-9	61446-87L20	131-21
	121-2-3		129-9		132-21
	123-2-4		129A-9		133-21
	125-2-4		130-9		134-21
	127-1		131-9		127A-21
61410-96865-0EP	128-1	61435-96J32	131A-9	61446-93J32	127A-21
	129-1		132-9		129A-21
	130-1		133-9		131A-21
	131-1		133A-9		133A-21
	132-1		134-9		127-25
61410-96880-Y5S	133-1	61435-96J22	127-24	61446-87L20	128-25
	134-1		128-24		129-25
	127A-1		129-24		130-25
61410-96880-Y5S	129A-1	61435-96J32	130-24	61446-93J32	127A-25
	131A-1		131-24		129A-25

PART NO.	FIG.NO.-REF.NO.	PART NO.	FIG.NO.-REF.NO.	PART NO.	FIG.NO.-REF.NO.
61446-93J40	132-25	61453-96J22	127A-15	61493-96J00	122-18
	133-25		128-15		123-18
	134-25		129-15		124-18
	131A-25		129A-15		125-18
	133A-25		130-15		126-18
61453-96J22	127-22	61453-96J30	131-15	61493-96J00	119-19
	128-22		131A-15		120-19
	129-22		132-15		121-19
	130-22		133-15		122-19
	131-22		133A-15		123-19
61458-99E70	132-22	61458-99E70	134-15	61494-96J00	124-19
	133-22		22-9		125-19
	134-22		23-9		126-19
	127A-22		24-9		119-20
	129A-22		25-9		120-20
61472-93E32	131A-22	61472-93E40	26-9	61621-93J00	121-20
	133A-22		27-9		122-20
	127-27		28-9		123-20
	127A-26		29-9		124-20
	128-27		22-10		125-20
61472-93E40	129-27	61472-93E40	23-10	61621-93J00	126-20
	129A-26		24-10		119-21
	130-27		25-10		120-21
	131-27		26-10		121-21
	131A-26		27-10		122-21
61475-96J10	132-27	61475-96J10	28-10	61632-93J00	123-21
	133-27		29-10		124-21
	133A-26		127-19		125-21
	134-27		127A-19		126-21
	23-8		128-19		119-22
61475-96J10	25-8	61475-96J10	129-19	61632-93J00	120-22
	27-8		129A-19		121-22
	29-8		130-19		122-22
	22-8		131-19		123-22
	24-8		131A-19		124-22
61475-96J10	26-8	61475-96J10	132-19	61632-93J00	125-22
	28-8		133-19		126-22
	127-14		133A-19		119-5-1
	127A-14		134-19		120-5
	128-14		119-17		121-5-1
61476-96J10	129-14	61476-96J10	120-17	61633-96J02	122-5
	129A-14		121-17		123-5-1
	130-14		122-17		124-5
	131-14		123-17		125-5-1
	131A-14		124-17		126-5
61476-96J10	132-14	61476-96J10	125-17	61633-96J02	119-5-2
	133-14		126-17		121-5-2
	133A-14		119-18		123-5-2
	134-14		120-18		125-5-2
	127-15		121-18		119-9

PART NO.	FIG.NO.-REF.NO.	PART NO.	FIG.NO.-REF.NO.	PART NO.	FIG.NO.-REF.NO.
	120-9		154-8		156-30
	121-9	67221-92E50	156-7	67237-92E01	152-34
	122-9	67222-92E00	152-2		154-33
	123-9		154-2		156-31
	124-9	67222-92E50	156-2	67238-87D00	150-22
	125-9	67223-92E00	152-3	67238-92E00	152-35
	126-9		154-3		154-34
61821-96J10-0EP	119-6-1	67223-92E50	156-6	67238-92E50	156-32
	120-6	67223-99E10	150-19	67239-92E00	152-36
	121-6-1	67224-92E00	152-9		154-35
	122-6		154-9		156-33
	123-6-1	67224-92E50	156-8	67239-92E10	152-47
	124-6	67225-92E00	156-25		154-45
	125-6-1	67225-92E50	156-9		156-29
	126-6	67226-92E00	152-15	67240-92E00	152-17
61821-96J10-Y5S	119-6-2		154-15		154-17
	121-6-2	67226-92E10	152-16	67240-92E50	156-16
	123-6-2		154-16	67241-92E10	152-45
	125-6-2		156-14		154-43
61831-96J10-0EP	119-13-1	67227-92E00	152-24	67241-92E50	156-42
	120-13		154-24	67241-99E10	150-23
	121-13-1		156-23	67242-92E50	155-13
	122-13	67228-92E00	152-18	67243-92E00	152-46
	123-13-1		154-18		154-44
	124-13		156-17	67243-95600	150-24
	125-13-1	67229-95600	150-20	67244-95600	150-25
	126-13	67230-92E00	152-20	67245-92E00	152-23
61831-96J10-Y5S	119-13-2		154-20		154-23
	121-13-2		156-19		156-22
	123-13-2	67231-92E00	152-43	67245-95600	150-26
	125-13-2		154-41	67246-92E00	152-37
63610-96J00	64-7		156-40		154-36
63615-96J00	21-30	67232-92E50	156-43	67246-92E50	156-34
65700-93J02	135-4	67232-95600	150-21	67251-92E50	155-9
65770-93J11	135-5		152-44	67251-93J00	151-11
67140-95600	150-57		154-42		153-12
67200-93J06	150-1		156-41	67251-99E10	150-27
67200-93J13	153-1	67232-95620	152-29	67252-92E00	156-35
	154-1		154-28	67252-92E10	152-40
67200-93J23	151-1	67233-92E00	152-27		154-39
	152-1		154-26		156-38
67200-93J32	155-1		156-27	67252-95600	150-28
	156-1	67234-92E00	152-22	67253-92E00	151-14
67211-92E50	155-29		154-22		153-15
67211-93J00	153-27		156-21	67253-92E10	152-39
67211-93J10	151-26	67235-92E00	152-28		154-38
67212-95600	150-14		154-27		156-37
67213-92E00	150-15		156-28	67253-95600	150-29
67220-95630	150-18	67236-92E00	152-33		152-42
67221-92E00	152-8		154-32		154-40

PART NO.	FIG.NO.-REF.NO.	PART NO.	FIG.NO.-REF.NO.	PART NO.	FIG.NO.-REF.NO.
	156-39		152-4		154-14
67254-92E50	155-22		154-4		156-15
67255-92E50	155-8	67288-92E10	152-6	67296-92E30	151-18
67255-99E00	150-30		154-6		153-18
67256-92E50	155-11		156-4	67296-92E60	151-12
67256-95600	150-31	67288-92E20	151-7		153-13
67257-92E00	151-10		153-7	67296-92E70	151-8
	153-11		155-14		153-9
	155-12	67288-92E30	151-13		153-28
67257-99E00	150-32		153-14	67296-92E80	152-50
67258-99E00	150-33	67288-92E40	151-9	67296-94300	150-45
67259-87D00	150-34		153-10	67296-94310	150-36
67261-92E50	155-10	67288-92E60	155-6		155-3
67261-93J00	151-2	67288-92E70	155-16	67296-95600	150-46
	153-2	67291-92E00	152-7	67296-95610	150-47
67261-99E00	150-35		154-7		152-26
67263-93J00	151-3		156-5		153-25
	153-3	67291-92E10	152-38	67297-95600	150-48
67264-95600	150-37		154-37	67298-92E50	155-2
67267-93J00	150-38		156-36	67300-93J00	119-36
67269-92E00	152-30	67292-94300	150-42		120-37
	154-29		152-5		121-36
67271-92E00	151-25		154-5		122-37
	153-26		156-3		123-36
67272-92E10	152-48	67294-92E00	152-10		124-37
67273-92E00	153-23		154-10		125-36
67273-92E10	151-23		156-11		126-37
67273-95600	150-39	67294-95600	150-43	67320-93J00	150-58-1
	151-22	67295-92E00	151-24	67320-93J10	150-58-2
	153-22		153-8	67320-93J20	150-58-3
67274-92E00	155-25	67295-92E10	151-5	67320-93J30	150-58-4
	152-41		153-5	67320-93J40	150-58-5
	153-24		155-4	67320-93J50	150-58-6
67274-92E50	155-28	67295-92E50	155-18	67320-93J60	150-58-7
67275-95600	150-40	67296-88D10	151-6	67320-93J70	150-58-8
	151-21		152-13	67320-93J80	150-58-9
	153-21		152-31	67341-96J00	119-34
	155-24		153-6		120-34
67281-93J00	153-17		154-13		121-34
67282-93J00	151-17		154-30		122-34
67283-92E50	155-26		155-15		123-34
67284-92E50	155-27		156-24		124-34
67286-92E00	152-19	67296-88D20	155-17		125-34
	154-19	67296-88D30	155-21		126-34
	156-18	67296-90J00	150-44	67343-96J00	119-30
67287-92E00	151-20	67296-92E10	150-17		120-30
	153-20		152-12		121-30
67287-92E10	152-49		154-12		122-30
67287-92E50	155-19		156-13		123-30
67288-92E00	150-41	67296-92E20	152-14		124-30

PART NO.	FIG.NO.-REF.NO.	PART NO.	FIG.NO.-REF.NO.	PART NO.	FIG.NO.-REF.NO.
67361-93J00	125-30		130-26		3-5
	126-30		131-26		4-5
	119-37		131A-23		5-5
	120-38		132-26		6-5
	121-37		133-26		7-5
	122-38		133A-23		8-5
	123-37		134-26		87-9
	124-38			01547-06257	1-26
	125-37				2-26
	126-38				3-26
67463-95200	64-8			4-26	
67467-89J01	136-7			5-26	
67500-93J00	153-29	90000		6-26	
67500-93J10	151-27			7-26	
67600-93J00	157-1			8-26	
67630-93J00	157-5		99011-96J20-054	158-14-1	01547-06507
67700-96J00	136-10			160-14-1	1-27
67701-96J00	136-2			162-14-1	2-27
67721-93J00	157-4			164-14-1	3-27
67721-96J00	136-3		99011-96J20-059	158-14-2	4-27
67725-93E00	157-6			159-14	5-27
67725-93J00	157-2			160-14-2	6-27
67725-96J00	136-4		161-14	7-27	
67726-93J00	157-3		162-14-2	8-27	
67726-99E00	136-5		163-14	119-28	
	157-7		164-14-2	120-28	
67728-99E00	136-6		165-14	121-28	
68165-16B00-13L	150-49			122-28	
69711-93E10	22-11			123-28	
	23-11			124-28	
	24-11			125-28	
	25-11			126-28	
	26-11	00000		01550-06127	
	27-11			21-32	
	28-11			39-30	
	29-11			39-31	
				40-30	
				40-31	
			01421-08257	21-25	
			01547-06167	127-20	
				127A-20	
				128-20	
			129-20		
			129A-20		
			130-20		
			131-20		
			131A-20		
			132-20		
			133-20		
			133A-20		
			134-20		
			1-5		
			64-21		
			67-25		
77811-54GC0-0PG	127-26			45-31	
	127A-23			46-30	
	128-26			46-31	
	129-26	01547-06207		64-21	
	129A-23			64-21	

PART NO.	FIG.NO.-REF.NO.	PART NO.	FIG.NO.-REF.NO.	PART NO.	FIG.NO.-REF.NO.
	79-11		52-21		22-7
	80-11		53-21		23-4
	81-11		54-21		23-7
	82-11		64-15		24-4
	83-11		119-35		24-7
	84-11		120-35		25-4
	85-11		121-35		25-7
	86-11		122-35		26-4
	89-24		123-35		26-7
	89-31		124-35		27-4
	90-24		125-35		27-7
	90-31		126-35		28-4
	91-24		127-7		28-7
	91-31		127-12		29-4
	92-24		127-16		29-7
	92-31		127A-7		68-10
	93-24		127A-12		109-19
	93-31		127A-16	01550-0620A	12-17
	94-24		128-7	01550-06257	11-3
	94-31		128-12		11-6
	95-24		128-16		13-9
	95-31		129-7		14-9
	96-24		129-12		15-9
	96-31		129-16		16-9
	127-18		129A-7		17-11
	127A-18		129A-12		18-11
	128-18		129A-16		19-11
	129-18		130-7		20-11
	129A-18		130-12		21-26
	130-18		130-16		63-8
	131-18		131-7		64-16
	131A-18		131-12		87-6
	132-18		131-16		87-7
	133-18		131A-7		109-7
	133A-18		131A-12	01550-06307	22-5
	134-18		131A-16		23-5
	21-16	01550-06167	132-7		24-5
	39-32		132-12		25-5
	40-32		132-16		26-5
	41-32		133-7		27-5
	42-32		133-12		28-5
	43-32		133-16		29-5
	44-32		133A-7		30-3
	45-32		133A-12	01550-08167	9-18
	46-32		133A-16		39-33
	47-21		134-7		40-33
	48-21		134-12		41-33
	49-21		134-16		42-33
	50-21	01550-0616A	65-7		43-33
	51-21	01550-06207	22-4		44-33

PART NO.	FIG.NO.-REF.NO.	PART NO.	FIG.NO.-REF.NO.	PART NO.	FIG.NO.-REF.NO.
01550-08207	45-33	01550-0835A	38-19	02112-0408A	126-32
	46-33		66-4		31-13
	1-21		78-23		32-13
	2-21		1-14		33-13
	3-21		2-14		34-13
	4-21		3-14		35-13
	5-21		4-14		36-13
	6-21		5-14		37-13
	7-21		6-14		38-13
	8-21		7-14	02112-05107	31-15
	9-15		8-14		32-15
01550-08257	21-34	01550-08407	12-15		33-15
	30-8		31-20	34-15	
	78-22		32-20	35-15	
	1-12		33-20	36-15	
	1-13		34-20	37-15	
	2-12		35-20		38-15
	2-13		36-20	02112-05127	21-18
	3-12		37-20	02112-0612A	1-25
	3-13		38-20		2-25
	4-12	01550-08457	1-15		3-25
	4-13		2-15		4-25
	5-12		3-15		5-25
	5-13		4-15		6-25
	6-12		5-15		7-25
	6-13		6-15		8-25
	7-12		7-15	02112-34167	21-17
	7-13		8-15	02112-35167	97-4
	8-12	01550-08557	9-19		98-4
	8-13		21-14		99-4
	39-34	01550-08607	1-16		100-4
	40-34		2-16		101-4
	41-34		3-16		102-4
	42-34		4-16		103-4
	43-34		5-16		104-4
	44-34		6-16	02142-0408B	31-3
	45-34		7-16		32-3
	46-34		8-16		33-3
01550-0825A	11-31		21-15		34-3
	12-11		30-11		35-3
01550-08307	21-27	01550-08657	64-17		36-3
	109-29	01550-0870A	65-8		37-3
01550-0830A	109-15	01550-1020A	11-18		38-3
01550-08357	31-19	01570-06127	119-32	02142-05107	68-12
	32-19		120-32	02142-05167	127-6
	33-19		121-32		127A-6
	34-19		122-32		128-6
	35-19		123-32		129-6
	36-19		124-32		129A-6
	37-19		125-32		130-6

PART NO.	FIG.NO.-REF.NO.	PART NO.	FIG.NO.-REF.NO.	PART NO.	FIG.NO.-REF.NO.
	131-6		114-4		75-9
	131A-6		117-4		76-9
	132-6		118-4		77-9
	133-6	06111-07004	70-23	08310-00067	89-20
	133A-6		71-23		90-20
	134-6		72-21		91-20
02142-06167	89-6		73-21		92-20
	90-6		74-23		93-20
	91-6		75-23		94-20
	92-6		76-21		95-20
	93-6		77-21		96-20
	94-6	06111-11004	70-24	08316-10087	21-28
	95-6		71-24		89-2
	96-6		72-22		90-2
02162-05207	21-19		73-22		91-2
03121-0516A	149-22		74-24		92-2
	149-34		75-24		93-2
03542-05169	127-4		76-22		94-2
	127-13		77-22		95-2
	127A-4	07130-06167	79-8		96-2
	127A-13		80-8	08321-01067	89-21
	128-4		81-8		90-21
	128-13		82-8		91-21
	129-4		83-8		92-21
	129-13		84-8		93-21
	129A-4		85-8		94-21
	129A-13		86-8		95-21
	130-4	08110-60020	65-9		96-21
	130-13	08110-62080	12-4	08322-01107	64-18
	131-4	08113-60100	70-31	08331-41359	68-21
	131-13		71-31	09100-08232	150-50
	131A-4		74-31	09100-12052	111-3
	131A-13		75-31		112-3
	132-4	08211-30382	70-11-1		113-6
	132-13		71-11-1		114-6
	133-4		74-11-1		115-3
	133-13		75-11-1		116-3
	133A-4	08211-30384	70-11-5		117-6
	133A-13		71-11-5		118-6
	134-4		74-11-5	09100-12085	105-7-2
	134-13		75-11-5	09100-12086	105-7-1
04211-11129	11-12	08211-30385	70-11-8	09100-12092	105-7-3
	11-22		71-11-8	09100-14004	110-15
04221-04089	10-5		74-11-8	09103-06093	67-17
	11-19		75-11-8		88-4
04221-08129	70-37	08221-16256	70-9		88-5
	71-37		71-9		109-22
	74-37		72-9	09103-06211	47-22
	75-37		73-9		48-22
	113-4		74-9		49-22

PART NO.	FIG.NO.-REF.NO.	PART NO.	FIG.NO.-REF.NO.	PART NO.	FIG.NO.-REF.NO.
	50-22		81-6		116-9
	51-22		82-6		117-12
	52-22		83-6		118-12
	53-22		84-6	09116-08158	70-32
	54-22		85-6		71-32
09103-06231	79-9		86-6		72-33
	80-9	09106-06075	9-8		73-33
	81-9	09108-10150	110-3		74-32
	82-9	09116-05010	88-16		75-32
	83-9	09116-06121	63-4		76-33
	84-9		105-13		77-33
	85-9		109-24	09116-10135	109-36
	86-9	09116-06127	119-23	09116-10137	109-28
09103-06266	1-3		120-23	09116-10146	67-20
	2-3		121-23	09116-10150	111-4
	3-3		122-23		112-4
	4-3		123-23		113-7
	5-3		124-23		114-7
	6-3		125-23		115-4
	7-3		126-23		116-4
	8-3	09116-06202	39-17		117-7
09103-06278	105-16		40-17		118-7
09103-06281	1-20		41-17	09116-10174	107-18
	2-20		42-17		110-16
	3-20		43-17	09116-10175	109-27
	4-20		44-17		109-37
	5-20		45-17		110-17
	6-20		46-17	09116-10176	67-21
	7-20	09116-06236	111-13		110-2-1
	8-20		112-13		110-2-2
	9-14		113-16	09118-08127	119-14
	30-7		114-16		120-14
	106-14		115-13		121-14
09103-08109	109-14		116-13		122-14
09103-08158	11-32		117-16		123-14
09103-08339	12-7		118-16		124-14
09103-08414	11-20	09116-08128	67-11		125-14
09103-08423	11-21	09116-08131	55-14		126-14
09103-10229	10-11		56-14	09119-06047	64-9
09103-10284	9-4		57-14	09125-04004	156-26
09103-12071	79-2		58-14	09125-04021	155-7
	80-2		59-14	09125-05042	150-16
	81-2		60-14		152-21
	82-2		61-14		154-21
	83-2		62-14		156-20
	84-2	09116-08137	111-9	09125-05050	107-26
	85-2		112-9	09125-05135	151-28
	86-2		113-12		153-30
09106-05030	79-6		114-12	09125-06063	106-7
	80-6		115-9		106-20

PART NO.	FIG.NO.-REF.NO.	PART NO.	FIG.NO.-REF.NO.	PART NO.	FIG.NO.-REF.NO.
	106-27		122-4		76-4
	107-24		123-4		77-4
	110-10		124-4	09160-05024	151-19
	110-20		125-4		153-19
09126-05003	150-51		126-4	09160-05029	97-3
09126-06006	152-25	09140-05005	64-10		98-3
	154-25		151-30		99-3
09132-04034	55-13		153-32		100-3
	56-13	09140-06020	150-52		101-3
	57-13		152-32		102-3
	58-13		154-31		103-3
	59-13		156-10		104-3
	60-13	09140-10032	106-21		151-29
	61-13	09140-16021	70-8		153-31
	62-13		71-8	09160-05045	21-29
09136-06148	119-10		72-8	09160-06047	119-31
	120-10		73-8		120-31
	121-10		74-8		121-31
	122-10		75-8		122-31
	123-10		76-8		123-31
	124-10		77-8		124-31
	125-10	09141-18005	111-26		125-31
	126-10		112-26		126-31
09137-04004	97-6		113-29	09160-06055	136-9
	98-6		114-29	09160-06066	64-11
	99-6		115-26	09160-06082	106-22
	100-6		116-26	09160-06094	68-6
	101-6		117-29	09160-06104	150-53
	102-6		118-29		155-20
	103-6	09159-05019	127-5	09160-08079	11-28
	104-6		127A-5	09160-08151	69-10
09139-06135	119-3-1		128-5	09160-10039	11-33
	119-3-2		129-5	09160-10120	10-12
	120-3-1		129A-5	09160-10141	110-5
	120-3-2		130-5	09160-12066	111-5
	121-3-1		131-5		112-5
	121-3-2		131A-5		113-8
	122-3-1		132-5		114-8
	122-3-2		133-5		115-5
	123-3-1		133A-5		116-5
	123-3-2		134-5		117-8
	124-3-1	09159-12062	105-8		118-8
	124-3-2	09159-14026	109-33	09160-13014	119-24
	125-3-1	09159-22006	105-5		120-24
	125-3-2	09159-28003	70-4		121-24
	126-3-1		71-4		122-24
	126-3-2		72-4		123-24
09139-06147	119-4		73-4		124-24
	120-4		74-4		125-24
	121-4		75-4		126-24

PART NO.	FIG.NO.-REF.NO.	PART NO.	FIG.NO.-REF.NO.	PART NO.	FIG.NO.-REF.NO.
09160-13016	105-9	09160-30056	72-25	09164-14008	119-25
09160-13017	105-10		73-25		120-25
09160-15051	109-34		76-25		121-25
09160-16050	110-18		77-25		122-25
	110-19	09160-35002	72-10-6		123-25
09160-18028	111-27		73-10-6		124-25
	112-27		76-10-6		125-25
	113-30		77-10-6		126-25
	114-30	09160-35003	72-10-8	09168-10034	111-11
	115-27		73-10-8		112-11
	116-27		76-10-8		113-14
	117-30		77-10-8		114-14
	118-30	09160-35004	72-10-4		115-11
09160-18031	109-25		73-10-4		116-11
09160-30036	70-11-2		76-10-4		117-14
	71-11-2		77-10-4		118-14
	74-11-2	09160-35006	72-10-5	09168-12012	67-13
	75-11-2		73-10-5	09168-12013	39-18
09160-30037	70-11-3		76-10-5		41-18
	71-11-3		77-10-5		43-18
	74-11-3	09160-35008	72-10-7		45-18
	75-11-3		73-10-7	09168-16009	1-8
09160-30038	70-11-4		76-10-7		2-8
	71-11-4		77-10-7		3-8
	74-11-4	09160-35009	72-10-9		4-8
	75-11-4		73-10-9		5-8
09160-30039	70-11-6		76-10-9		6-8
	71-11-6		77-10-9		7-8
	74-11-6	09160-35010	72-10-3		8-8
	75-11-6		73-10-3	09169-06053	89-4
09160-30041	70-11-7		76-10-3		90-4
	71-11-7		77-10-3		91-4
	74-11-7	09160-35013	72-10-2		92-4
	75-11-7		73-10-2		93-4
09160-30042	70-11-9		76-10-2		94-4
	71-11-9		77-10-2		95-4
	74-11-9	09160-35015	72-10-1		96-4
	75-11-9		73-10-1	09169-06062	39-19
09160-30043	70-11-10		76-10-1		40-19
	71-11-10		77-10-1		41-19
	74-11-10	09160-39001	106-8		42-19
	75-11-10	09160-75002	70-12		43-19
09160-30044	70-11-11		71-12		44-19
	71-11-11		72-11		45-19
	74-11-11		73-11		46-19
	75-11-11		74-12		87-4
09160-30055	72-24		75-12	09169-08039	119-15
	73-24		76-11		120-15
	76-24		77-11		121-15
	77-24	09162-10005	107-20		122-15

PART NO.	FIG.NO.-REF.NO.	PART NO.	FIG.NO.-REF.NO.	PART NO.	FIG.NO.-REF.NO.
	123-15		75-14-2		76-12-4
	124-15	09181-50013	70-14-1		77-7-4
	125-15		71-14-1	09181-60008	77-12-4
	126-15		74-14-1		70-7-5
09169-08042	31-17		75-14-1		71-7-5
	32-17	09181-60004	70-7-1		72-7-5
	33-17		71-7-1		72-12-5
	34-17		72-7-1		73-7-5
	35-17		72-12-1		73-12-5
	36-17		73-7-1		74-7-5
	37-17		73-12-1		75-7-5
	38-17		74-7-1		76-7-5
09169-28003	106-11		75-7-1		76-12-5
09180-05047	21-7		76-7-1		77-7-5
09180-06230	64-12		76-12-1		77-12-5
09180-06289	109-5		77-7-1	09181-60009	70-7-6
09180-08167	30-10		77-12-1		71-7-6
09180-25082	70-25	09181-60005	70-7-2		72-7-6
	71-25		71-7-2		72-12-6
	74-25		72-7-2		73-7-6
	75-25		72-12-2		73-12-6
09181-12167	65-5		73-7-2		74-7-6
09181-39001	106-9		73-12-2		75-7-6
09181-50005	70-14-3		74-7-2		76-7-6
	71-14-3		75-7-2		76-12-6
	74-14-3		76-7-2		77-7-6
	75-14-3		76-12-2		77-12-6
09181-50006	70-14-4		77-7-2	09181-60010	70-7-7
	71-14-4		77-12-2		71-7-7
	74-14-4	09181-60006	70-7-3		72-7-7
	75-14-4		71-7-3		72-12-7
09181-50007	70-14-5		72-7-3		73-7-7
	71-14-5		72-12-3		73-12-7
	74-14-5		73-7-3		74-7-7
	75-14-5		73-12-3		75-7-7
09181-50008	70-14-6		74-7-3		76-7-7
	71-14-6		75-7-3		76-12-7
	74-14-6		76-7-3		77-7-7
	75-14-6		76-12-3		77-12-7
09181-50009	70-14-7		77-7-3	09181-60011	70-7-8
	71-14-7		77-12-3		71-7-8
	74-14-7	09181-60007	70-7-4		72-7-8
	75-14-7		71-7-4		72-12-8
09181-50010	70-14-8		72-7-4		73-7-8
	71-14-8		72-12-4		73-12-8
	74-14-8		73-7-4		74-7-8
	75-14-8		73-12-4		75-7-8
09181-50012	70-14-2		74-7-4		76-7-8
	71-14-2		75-7-4		76-12-8
	74-14-2		76-7-4		77-7-8



PART NO.	FIG.NO.-REF.NO.	PART NO.	FIG.NO.-REF.NO.	PART NO.	FIG.NO.-REF.NO.
09181-60012	77-12-8		71-15-11		73-13-1
	70-7-9		72-13-11		74-15-1
	71-7-9		73-13-11		75-15-1
	72-7-9		74-15-11		76-13-1
	72-12-9		75-15-11		77-13-1
	73-7-9		76-13-11	09181-75019	70-15-2
	73-12-9	09181-75012	77-13-11		71-15-2
	74-7-9		70-15-3		72-13-2
	75-7-9		71-15-3		73-13-2
	76-7-9		72-13-3		74-15-2
09181-60013	76-12-9		73-13-3		75-15-2
	77-7-9		74-15-3		76-13-2
	77-12-9		75-15-3		77-13-2
	70-7-10		76-13-3	09202-04022	119-26
	71-7-10		77-13-3		120-26
	72-7-10	09181-75013	70-15-4		121-26
	72-12-10		71-15-4		122-26
	73-7-10		72-13-4		123-26
	73-12-10		73-13-4		124-26
	74-7-10		74-15-4		125-26
	75-7-10		75-15-4		126-26
	76-7-10		76-13-4	09202-05032	11-24
	76-12-10		77-13-4		13-6
	77-7-10	09181-75014	70-15-6		14-6
	77-12-10		71-15-6		15-6
09181-75008	70-15-5		72-13-6		16-6
	71-15-5		73-13-6		17-8
	72-13-5		74-15-6		18-8
	73-13-5		75-15-6		19-8
	74-15-5		76-13-6		20-8
	75-15-5		77-13-6	09202-05033	13-4
	76-13-5	09181-75015	70-15-8		14-4
	77-13-5		71-15-8		15-4
09181-75009	70-15-7		72-13-8		16-4
	71-15-7		73-13-8		17-5
	72-13-7		74-15-8		18-5
	73-13-7		75-15-8		19-5
	74-15-7		76-13-8		20-5
	75-15-7		77-13-8	09202-06031	55-15
	76-13-7	09181-75016	70-15-10		56-15
	77-13-7		71-15-10		57-15
09181-75010	70-15-9		72-13-10		58-15
	71-15-9		73-13-10		59-15
	72-13-9		74-15-10		60-15
	73-13-9		75-15-10		61-15
		74-15-9		76-13-10	
	75-15-9		77-13-10		79-3
	76-13-9	09181-75018	70-15-1		80-3
	77-13-9		71-15-1		81-3
09181-75011	70-15-11		72-13-1		82-3

PART NO.	FIG.NO.-REF.NO.	PART NO.	FIG.NO.-REF.NO.	PART NO.	FIG.NO.-REF.NO.	
			83-3		6-11	
			84-3		7-11	
			85-3		8-11	
			86-3	09241-25005	12-2	
09202-08006			67-12	09246-05006	11-13	
			110-6	09247-14041	39-20	
			111-7		41-20	
			112-7		43-20	
			113-10		45-20	
			114-10	09247-14042	40-20	
			115-7		42-20	
			116-7		44-20	
			117-10		46-20	
			118-10	09248-12009	67-14	
09202-08007			70-19	09248-12011	68-18	
			71-19	09248-18010	109-26	
			72-17	09248-26001	9-5	
			73-17	09250-21003	119-38	
			74-19		120-39	
			75-19		121-38	
			76-17		122-39	
			77-17		123-38	
09204-01006			68-7		124-39	
			106-23		125-38	
			111-28		126-39	
	09204-03003			112-28	09251-09002	135-1
				113-31	09260-10005	68-23
			114-31	09262-17019	68-20	
			115-28	09262-40018	12-5	
			116-28	09263-30023	70-27	
			117-31		71-27	
			118-31		72-28	
09205-02006			69-4		73-28	
	09205-10006		68-22		74-27	
		09206-08001		1-4		75-27
				2-4		76-28
				3-4		77-28
			4-4	09263-32017	111-2	
	5-4			112-2		
			6-4		113-2	
			7-4		114-2	
			8-4		115-2	
			109-8		116-2	
			109-16		117-2	
09206-14004			9-3		118-2	
	09206-15001		1-11	09263-50009	72-32	
			2-11		73-32	
			3-11		76-32	
			4-11		77-32	
		5-11	09265-50002	113-5		
				09280-22020	65-6	
				09280-26006	11-8	
					63-3	
					109-6	
				09280-29006	21-8	
				09280-33004	47-17	

PART NO.	FIG.NO.-REF.NO.	PART NO.	FIG.NO.-REF.NO.	PART NO.	FIG.NO.-REF.NO.
	48-17		120-27	09320-09039	63-23
	49-17		121-27	09320-11013	119-16
	50-17		122-27		120-16
	51-17		123-27		121-16
	52-17		124-27		122-16
	53-17		125-27		123-16
	54-17		126-27		124-16
09280-60007	69-11	09306-17001	107-21		125-16
09280-66004	70-34	09320-04009	89-5		126-16
	71-34		90-5	09320-12072	31-18
	72-35		91-5		32-18
	73-35		92-5		33-18
	74-34		93-5		34-18
	75-34		94-5		35-18
	76-35		95-5		36-18
	77-35		96-5		37-18
09280-70012	12-8	09320-07015	21-9		38-18
09282-08005	69-7	09320-08021	89-9	09320-20008	31-26
09282-24004	70-35		90-9		32-26
	71-35		91-9		33-26
	72-36		92-9		34-26
	73-36		93-9		35-26
	74-35		94-9		36-26
	75-35		95-9		37-26
	76-36		96-9		38-26
	77-36		99-22		39-36
09282-30006	70-29	09320-08062	40-22	09321-08005	40-36
	71-29		41-22		41-36
	72-30		42-22		42-36
	73-30		43-22		43-36
	74-29		44-22		44-36
	75-29		45-22		45-36
	76-30		46-22		46-36
	77-30		1-29	09329-10022	127-17
09282-39001	106-12	09320-08076	2-29		127A-17
09283-32044	12-6		3-29		128-17
09283-91001	10-13		4-29		129-17
09289-05012	13-18		5-29		129A-17
	14-18		6-29		130-17
	15-18		7-29		131-17
	16-18		8-29		131A-17
	17-20	09320-08501	39-21		132-17
	18-20		40-21		133-17
	19-20		41-21		133A-17
	20-20		42-21		134-17
09289-18001	68-19		43-21	09329-14002	9-10
09306-06004	68-8		44-21	09343-75001-600	39-23
09306-10001	64-13		45-21		39-24
	68-3		46-21		39-25
09306-13007	119-27	09320-09016	87-5		40-23

PART NO.	FIG.NO.-REF.NO.	PART NO.	FIG.NO.-REF.NO.	PART NO.	FIG.NO.-REF.NO.
	40-24		63-15		45-28
	40-25		63-16	09364-06010	31-31
	41-23		140-6		32-31
	41-24		141-5		33-31
	41-25		142-6		34-31
	42-23		143-5		35-31
	42-24		144-6		36-31
	42-25		145-5		37-31
	43-23		146-6		38-31
	43-24		147-5	09367-06002	63-18
	43-25	09352-90133-600	63-17	09367-06006	140-7
	44-23	09355-35754-601	21-10		141-6
	44-24		21-11		142-7
	44-25		21-12		143-6
	45-23		21-13		144-7
	45-24	09355-40805-00B	111-17		145-6
	45-25		112-17		146-7
	46-23		113-20		147-6
	46-24		114-20	09367-10001	47-4
	46-25		115-17		48-4
09352-50823-00B	31-28		116-17		49-4
	32-28		117-20		50-4
	33-28		118-20		51-4
	34-28	09360-12008	39-26		52-4
	35-28		41-26		53-4
	36-28		43-26		54-4
	37-28		45-26		135-2
	38-28		40-26	09380-17009	107-22
	31-27	09360-12013	42-26	09380-38003	106-10
09352-50823-600	31-30		44-26	09381-40003	70-30
	32-27		46-26		71-30
	32-30	09360-14009	39-27		72-31
	33-27		41-27		73-31
	33-30		43-27		74-30
	34-27		45-27		75-30
	34-30	09360-14014	40-27		76-31
	35-27		42-27		77-31
	35-30		44-27	09383-08004	68-4
	36-27		46-27	09383-08005	64-14
	36-30	09362-09008	111-18	09385-06012	136-8
	37-27		112-18	09387-38002	110-8
	37-30		113-21	09401-08412	31-23
	38-27		114-21		31-29
	38-30		115-18		32-23
09352-50903-600	63-9		116-18		32-29
	63-10		117-21		33-23
	63-11		118-21		33-29
	63-12	09363-08004	39-28		34-23
	63-13		41-28		34-29
	63-14		43-28		35-23

PART NO.	FIG.NO.-REF.NO.	PART NO.	FIG.NO.-REF.NO.	PART NO.	FIG.NO.-REF.NO.
	35-29	09401-18410	1-31		94-26
	36-23		2-31		95-26
	36-29		3-31		96-26
	37-23		4-31	09407-08401	149-4
	37-29		5-31		149-24
	38-23		6-31		149-36
09401-08413	38-29		7-31	09407-10404	89-34
	63-19		8-31		90-34
	140-8	09401-22407	67-7		91-34
	141-7	09401-31407	63-21		92-34
	142-8	09403-05312	21-31		93-34
	143-7	09403-11314	64-20		94-34
	144-8	09403-12412	97-7		95-34
	145-7		98-7		96-34
	146-8		99-7		110-21
09401-11423	147-7		100-7		111-19
	47-10		101-7		112-19
	47-18		102-7		113-22
	48-10		103-7		114-22
	48-18		104-7		115-19
	49-10	09403-13408	31-32		116-19
	49-18		32-32		117-22
	50-10		33-32		118-22
	50-18		34-32		140-10
	51-10		35-32		141-9
	51-18		36-32		142-10
	52-10		37-32		143-9
	52-18		38-32		144-10
	53-10		79-10		145-9
	53-18		80-10		146-10
09401-11425	54-10		81-10	09407-14403	147-9
	54-18		82-10		88-7
	39-29		83-10		89-27
	40-29		84-10		90-27
	41-29		85-10		91-27
	42-29		86-10		92-27
	43-29	09403-18409	89-25		93-27
	44-29		90-25		94-27
	45-29		91-25		95-27
	46-29		92-25		96-27
09401-13423	135-3		93-25	09407-14407	88-14
09401-13424	47-19		94-25		89-28
	48-19		95-25		90-28
	49-19		96-25		91-28
	50-19	09403-20307	88-13		92-28
	51-19	09403-20308	89-26		93-28
	52-19		90-26		94-28
	53-19		91-26		95-28
	54-19		92-26		96-28
09401-13425	63-20		93-26		97-11

PART NO.	FIG.NO.-REF.NO.	PART NO.	FIG.NO.-REF.NO.	PART NO.	FIG.NO.-REF.NO.
	97-16	09408-00060	63-22		77-19
	98-11	09408-00078	31-34	09443-10043	106-25
	98-16		32-34	09471-12028	138-4
	99-11		33-34	09471-12077	137-5
	99-16		34-34		138-22
	100-11		35-34	09471-12103	137-2
	100-16		36-34		138-2
	101-11		37-34		138-9
	101-16		38-34		138-13
	102-11	09408-00105	47-20		138-15
	102-16		48-20		138-19
	103-11		49-20	09481-05501	148-5
	103-16		50-20		148-12
	104-11		51-20	09481-10501	89-15
	104-16		52-20		90-15
	138-6		53-20		91-15
09407-25402	138-18		54-20		92-15
	119-33	09409-05302-5PK	119-8		93-15
	120-33		120-8		94-15
	121-33		121-8		95-15
	122-33		122-8		96-15
	123-33		123-8		150-56
	124-33		124-8	09481-15501	89-33
	125-33		125-8		90-33
	126-33		126-8		91-33
09408-00008	21-1	09420-05009	55-16		92-33
	31-33		56-16		93-33
	32-33		57-16		94-33
	33-33		58-16		95-33
	34-33		59-16		96-33
	35-33		60-16	09481-30401	89-17
	36-33		61-16		90-17
	37-33		62-16		91-17
	38-33	09440-07051	68-24		92-17
	89-29	09440-09040	70-22		93-17
	90-29		71-22		94-17
	91-29		72-20		95-17
	92-29		73-20		96-17
	93-29		74-22		140-11
	94-29		75-22		141-10
	95-29		76-20		142-11
	96-29		77-20		143-10
09408-00024	89-30	09440-19028	106-24		144-11
	90-30	09440-52003	70-21		145-10
	91-30		71-21		146-11
	92-30		72-19		147-10
	93-30		73-19	09481-30501	89-16
	94-30		74-21		90-16
	95-30		75-21		91-16
	96-30		76-19		92-16



## **SUZUKI DF150/175 PARTS CATALOGUE**

---

SUZUKI MOTOR CORPORATION All rights reserved

No part of this document may be reproduced or transmitted in any form or by any means, electronic or mechanical, for any purpose, without the express written permission of Suzuki Motor Corporation.

SUZUKI MOTOR CORPORATION

Technical Readiness Group, Quality Administration Department  
300 Takatsuka, Minami, Hamamatsu, Japan

---

Reprint Prohibited

**SUZUKI MOTOR CORPORATION**